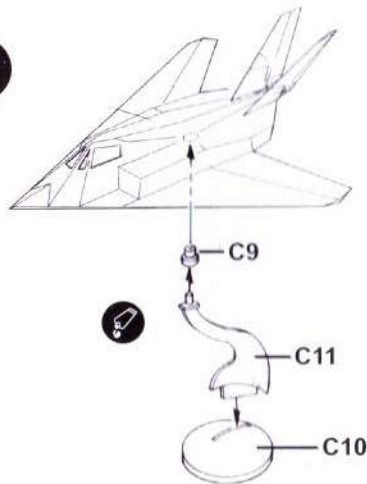
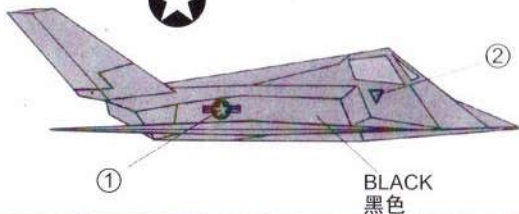
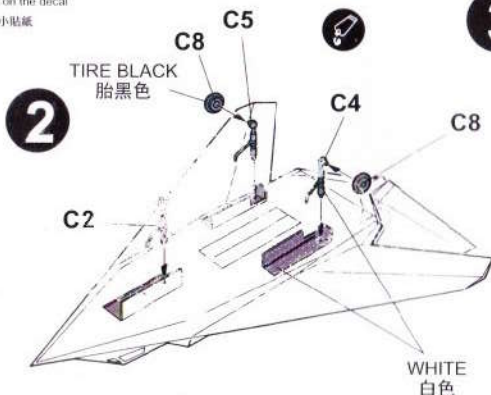
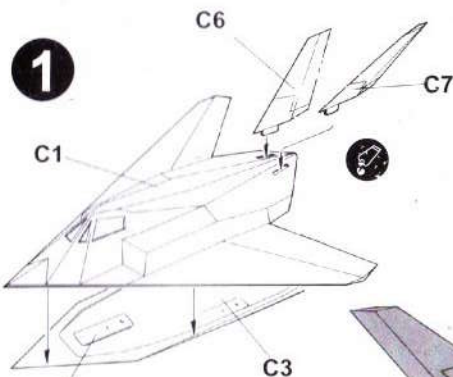
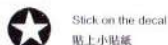


使用工具應小心, 注意安全, 用模型剪從注塑片中取出零件, 修去多余料頭及飛邊, 勿拔取零件, 使用模型膠勿過量, 不得近火源, 商品的包裝為了不讓小孩在晚上請撕毀。禁止把零件吞入口中。

Please get the useful tools ready. Remove parts from frame with a pair of scissors and trim away excess plastic. Do not pull off parts. Use care and sparingly to avoid damaging the model. Please tear the plastic bag of this product to avoid children putting their heads into the bag. Do not put the parts into your mouth.

# F-117A STEALTH FIGHTER ASSEMBLY

## F-117A 隱形轰炸机组装说明书



**Painting instruction**  
塗裝指導



**APPLYING DECALS**

1. Cut off decal from sheet.
2. Dip the decal in liquid water for about 10 sec, and place on a clean table.
3. Hold the backing sheet edge and slide decal onto the model.
4. Move decal into position by setting decal with finger.
5. Press decal gently down with a soft cloth until excess water and air bubbles are gone.

**印記(印花)貼紙應用**

1. 將印記剪下。
2. 將印記放入溫水中約10秒後取出後放在乾淨表面上。
3. 將印記移入模型上。
4. 手指將印記移入位置。
5. 用軟毛布輕輕壓印記直到水及氣泡消失。