

M60A1 w/ERA & M60A3 7+7



03.02.5022

READ BEFORE ASSEMBLY

CAUTION

- Read carefully and fully understand the instructions before commencing assembly. A supervising adult should also read the instructions if a child assembles the model.
- When assembling this kit, tools including knives used. Extra care should be taken to avoid personal injury.
- Keep out of reach of small children. Children must not be allowed to suck any part, or pull vinyl bag over their heads.



Be Careful



Optional



Drill



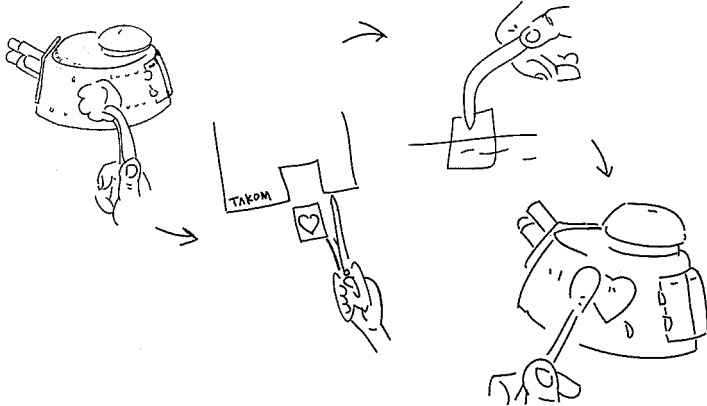
Remove



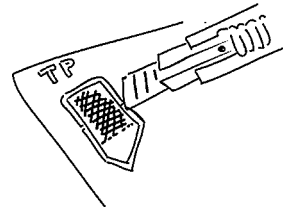
Instant Glue for Metal

APPLYING DECALS

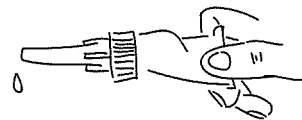
1. Clean the model surface with a wet cloth.
2. Cut out each decal design from sheet, and dip it in tepid water for 15~20 sec.
3. Hold the backing sheet edge and slide decal onto the model.
4. Move decal into position by wetting decal with finger.
5. Press decal gently down with a soft cloth until excess water and air bubbles are gone.



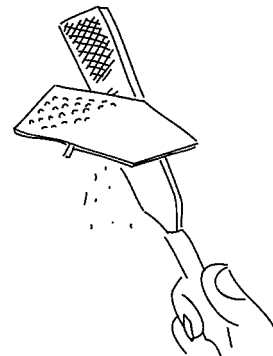
REMOVING PE



Be careful not to hurt when removing PE parts.

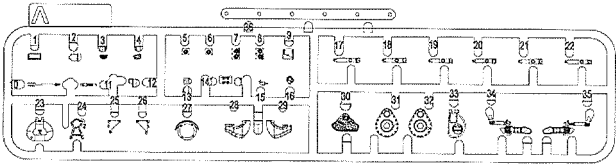


Secure using instant glue (not included).

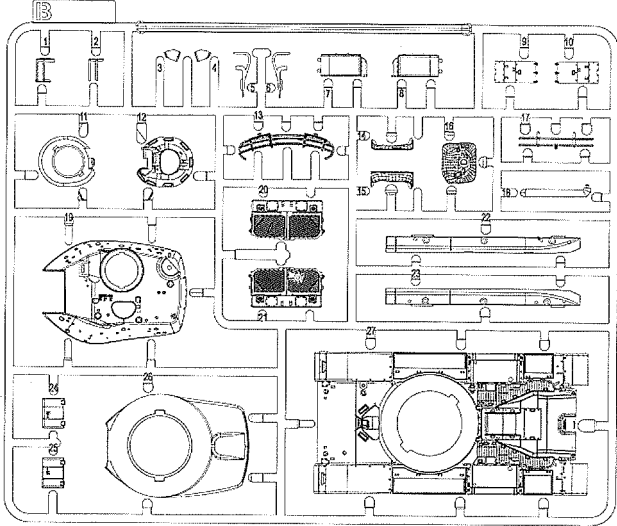


Finish using file.

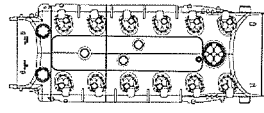
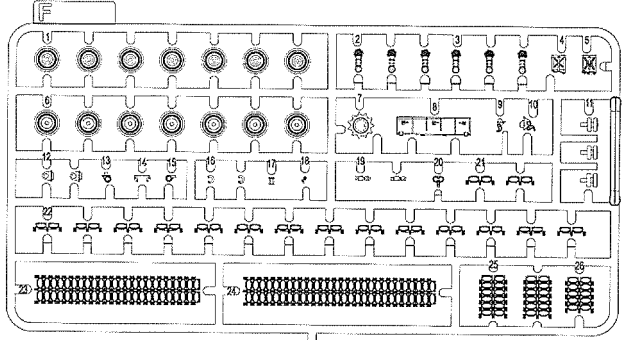
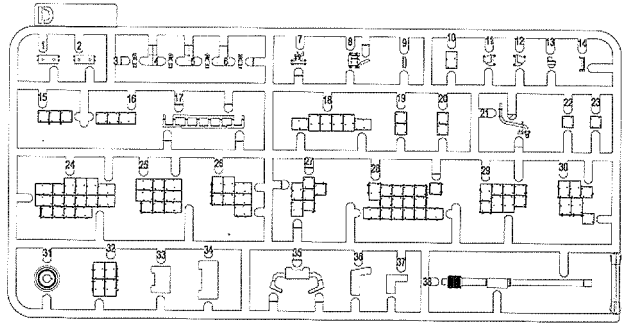
PARTS



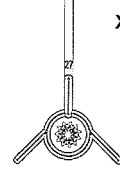
X2



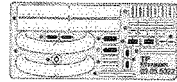
X2



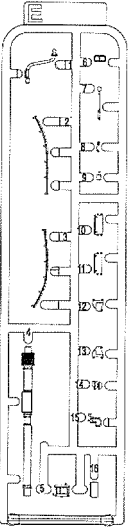
Lower Hull X2



X4



TP

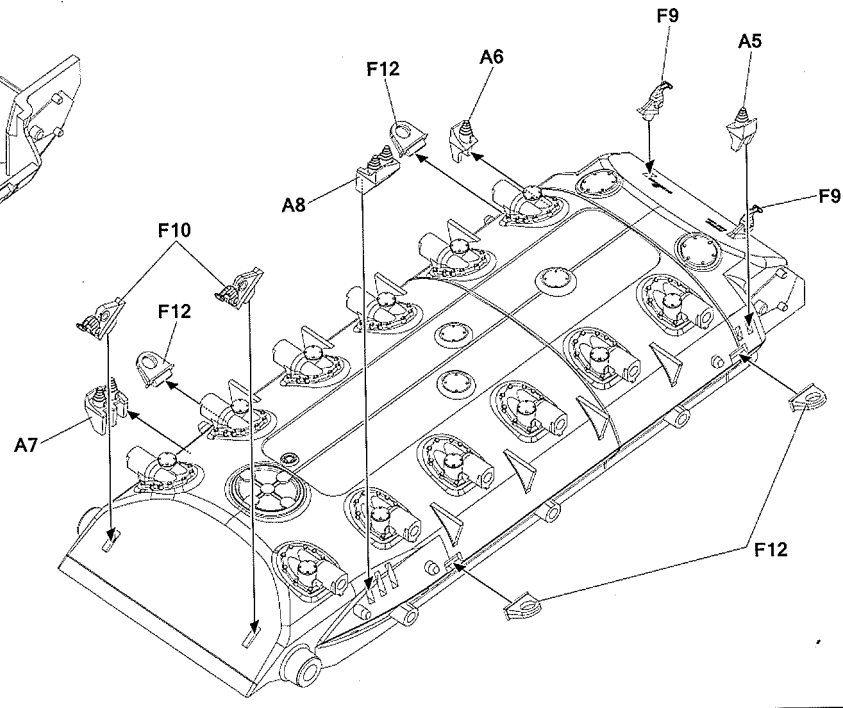
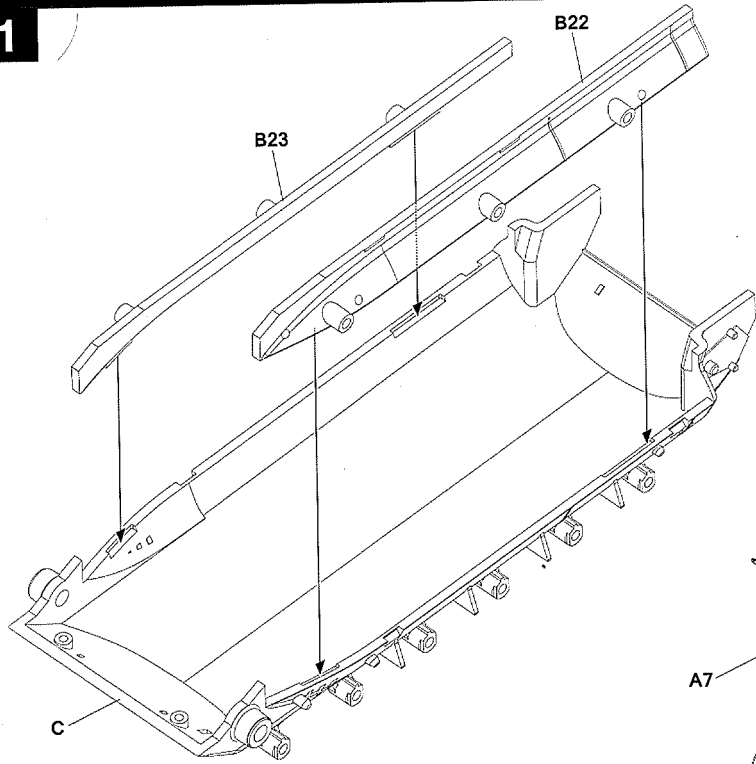


Cable

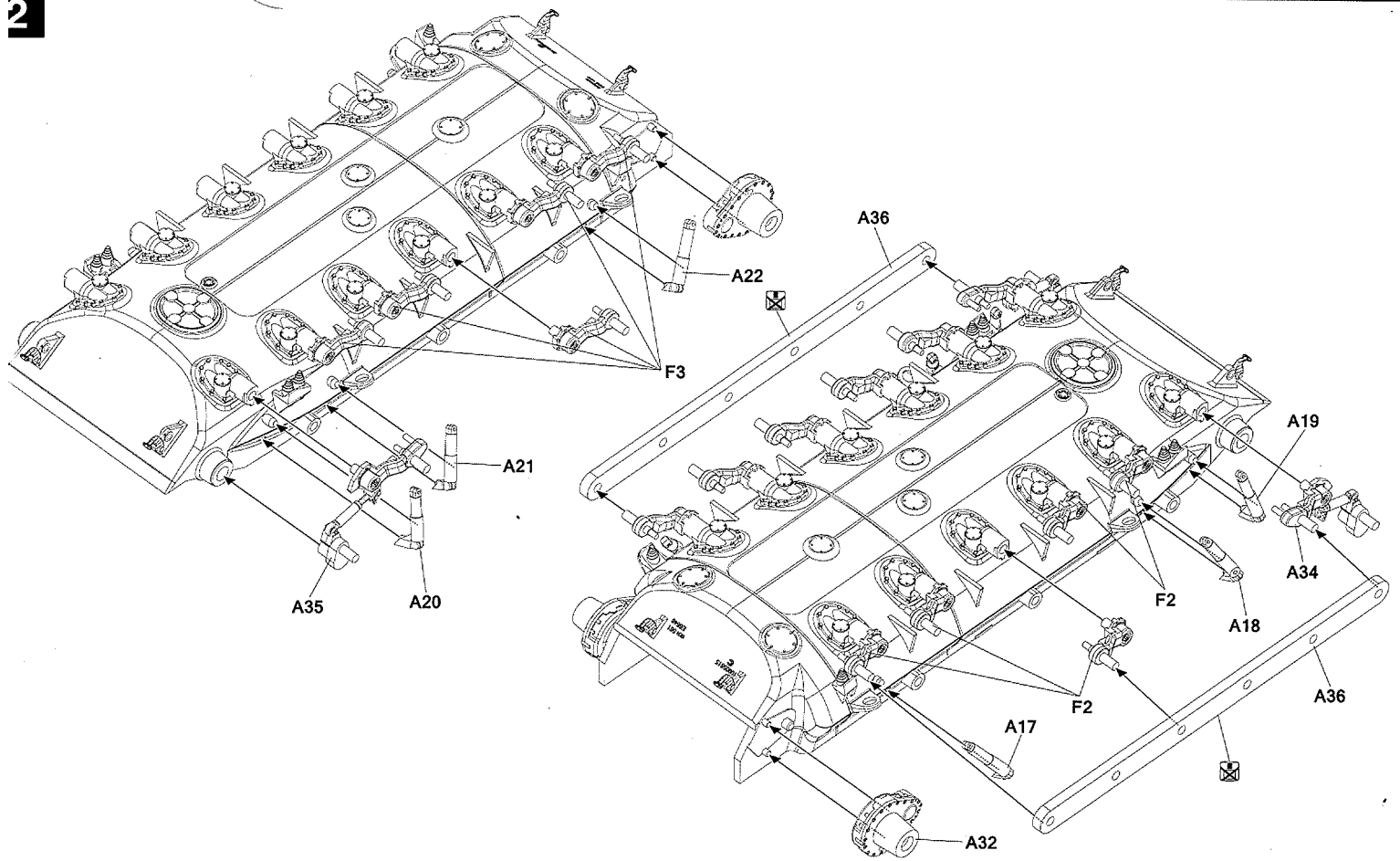


Decal

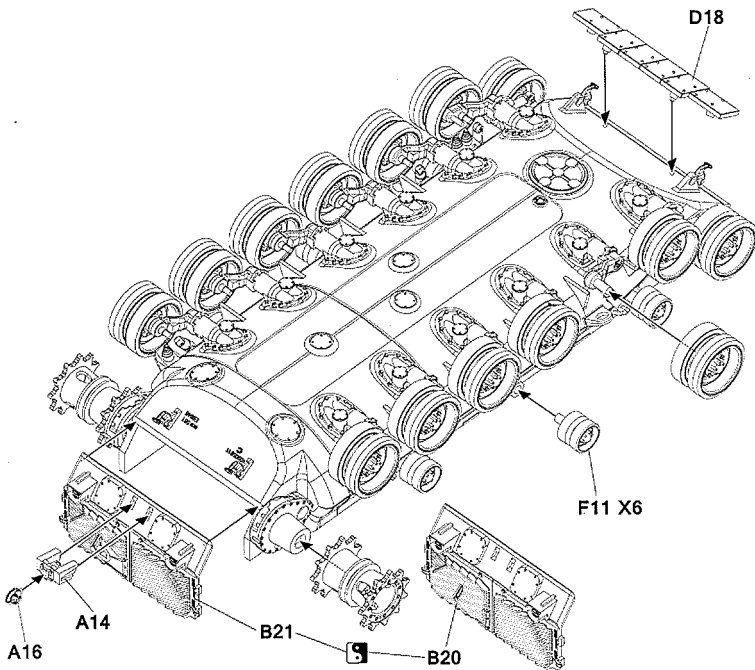
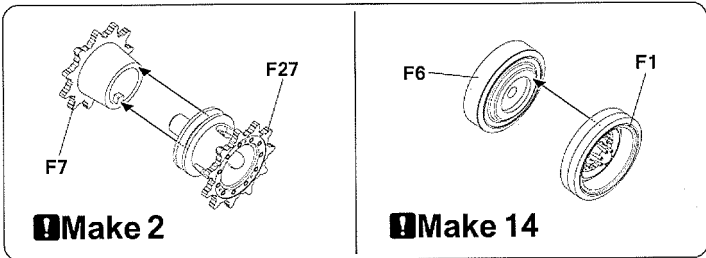
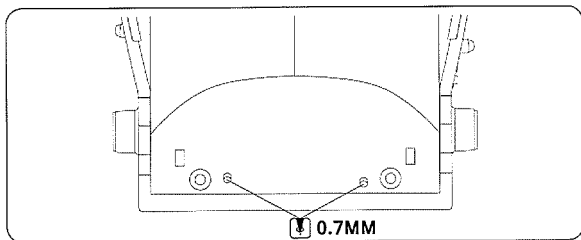
1



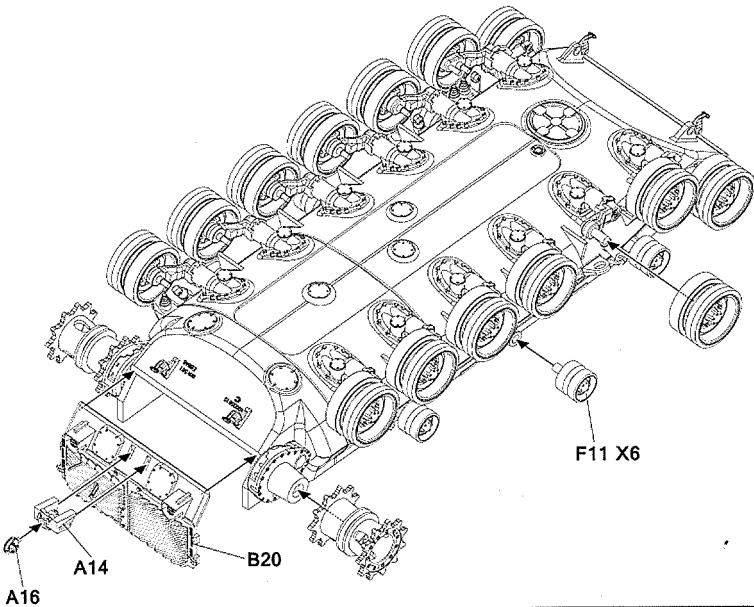
3

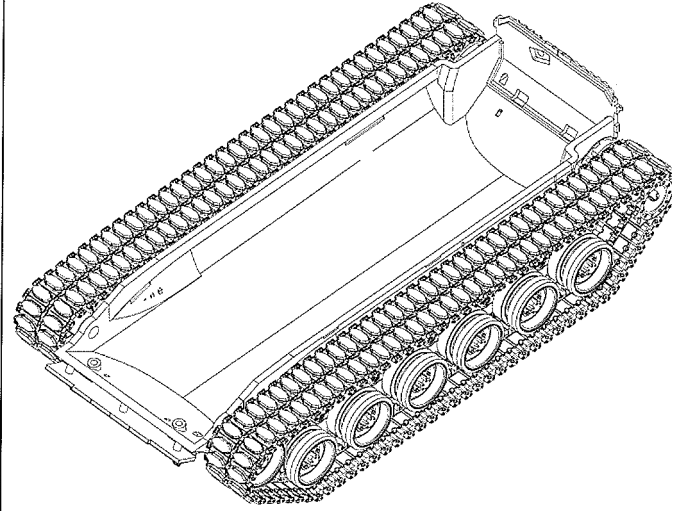
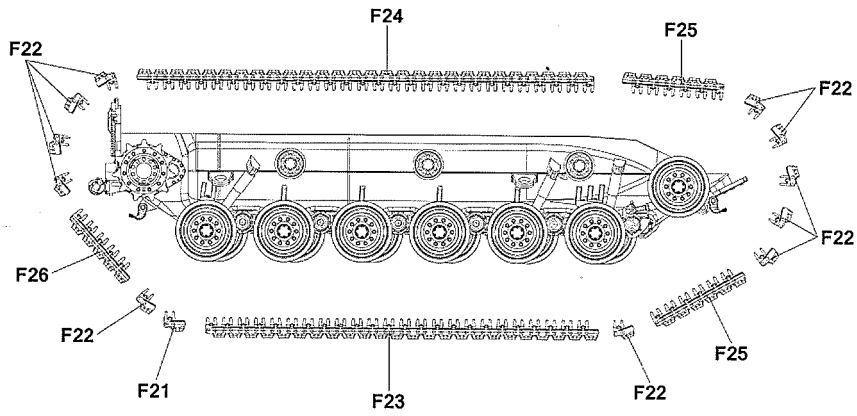
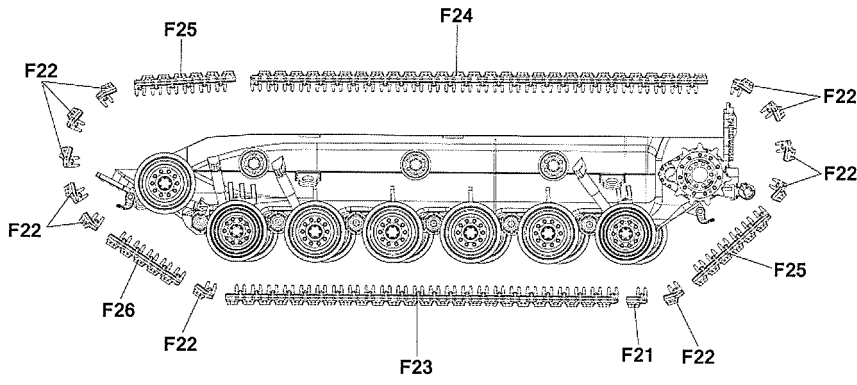


3-1

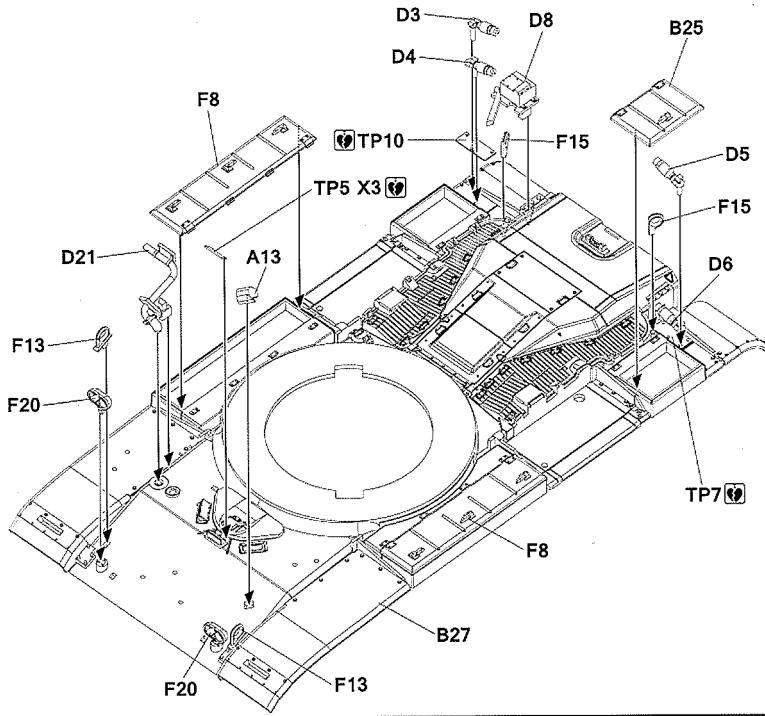
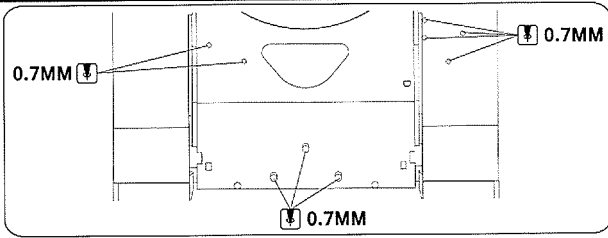


3-2

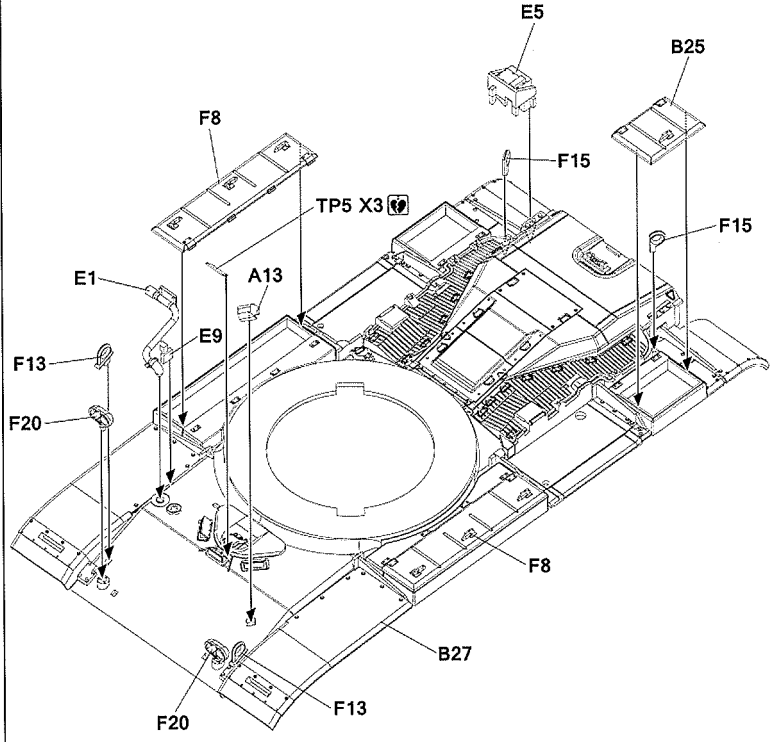




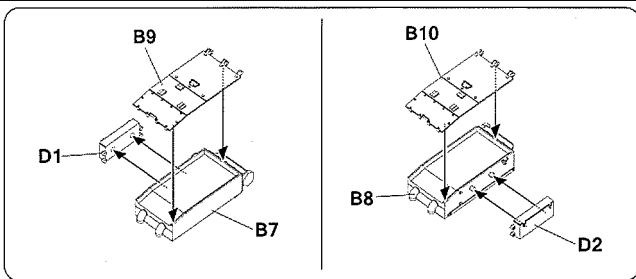
5-1



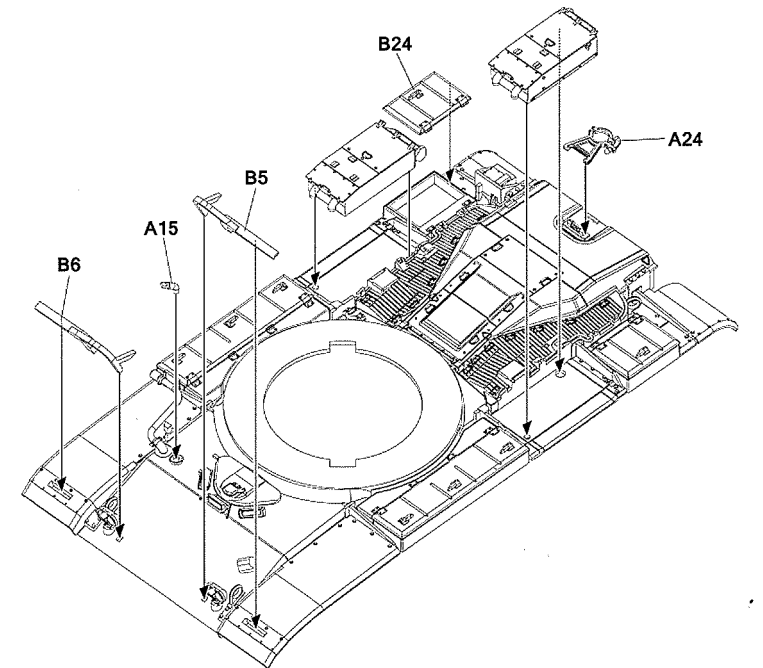
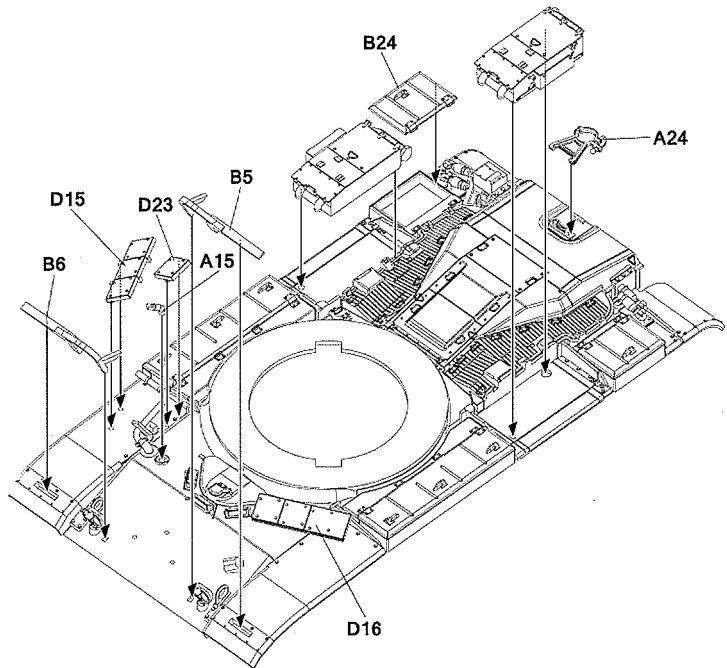
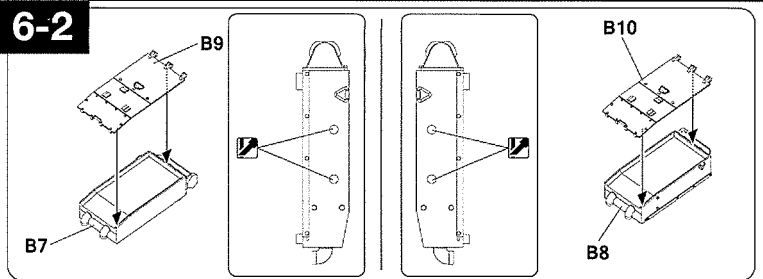
5-2



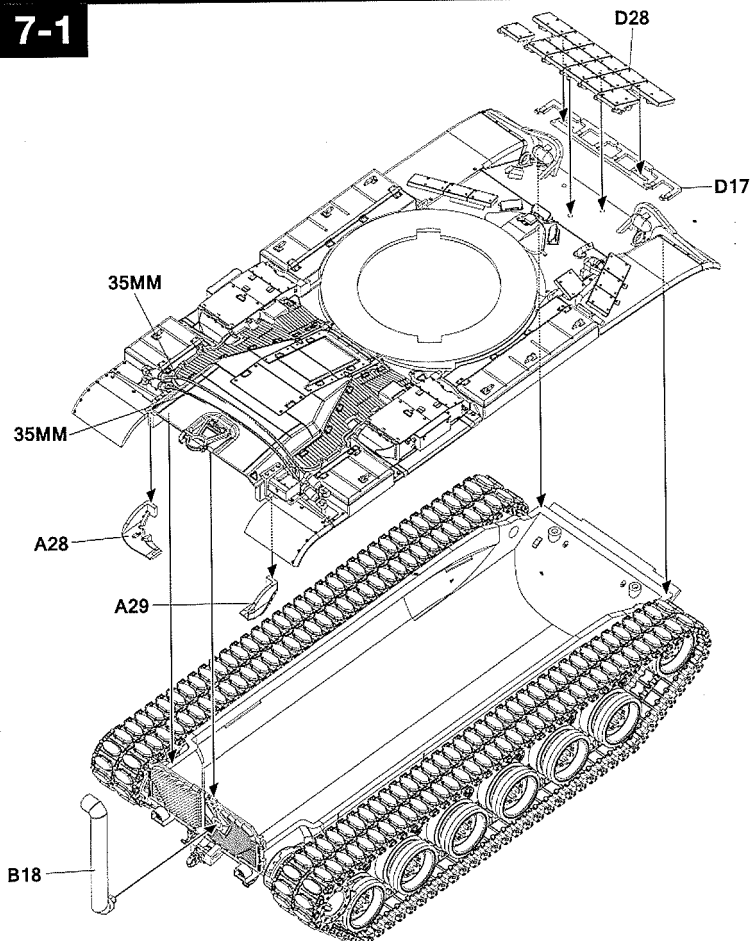
6-1



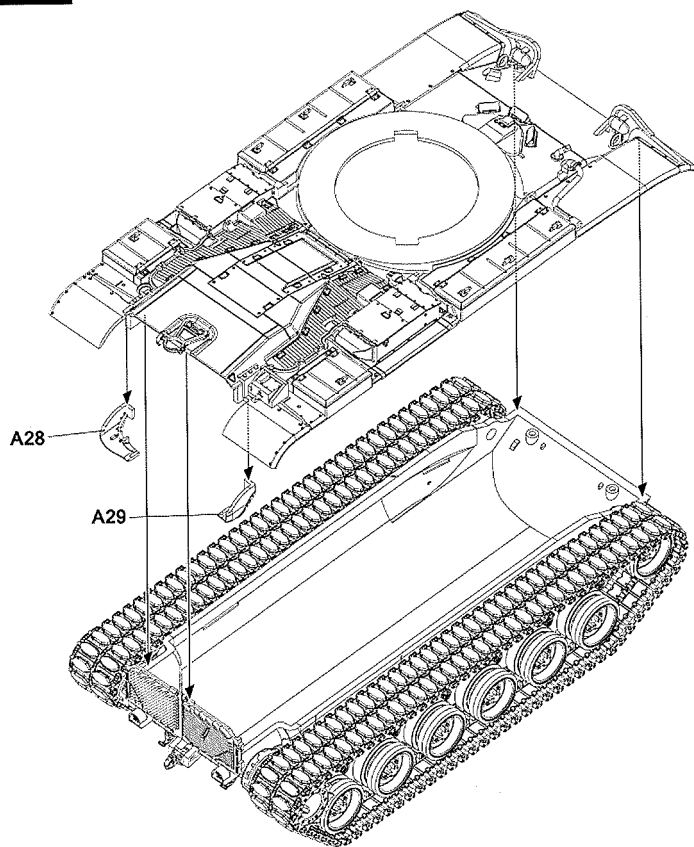
6-2



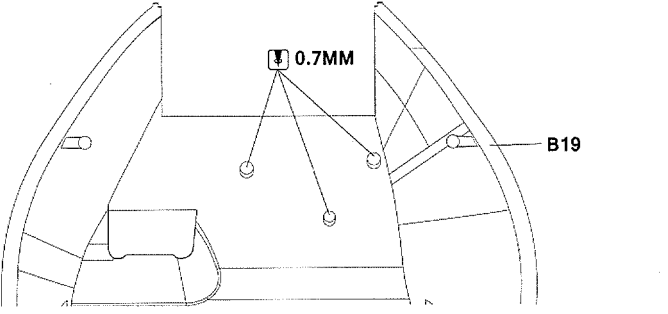
7-1



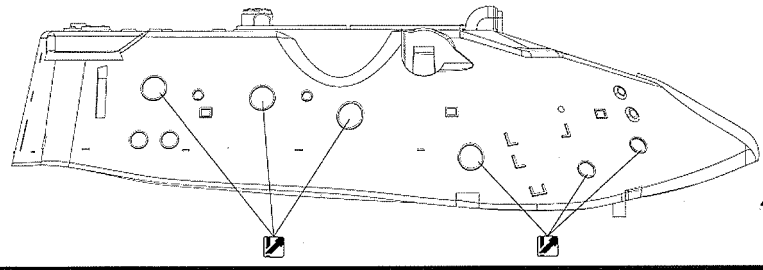
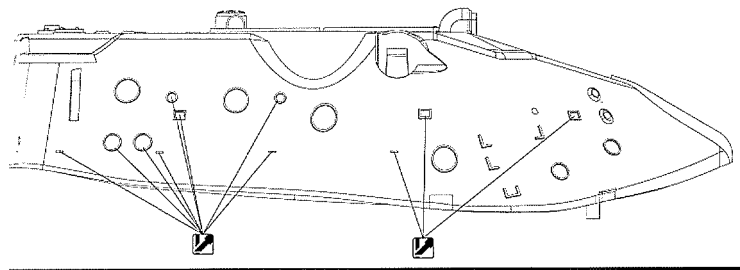
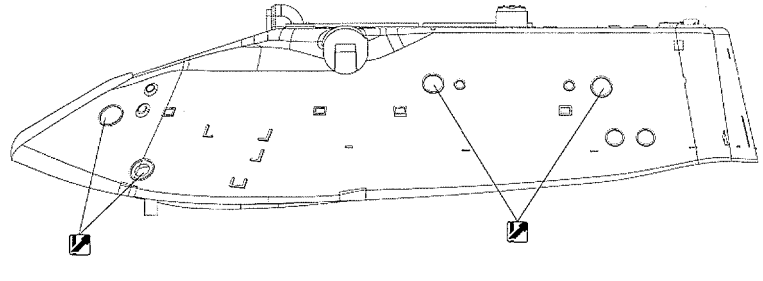
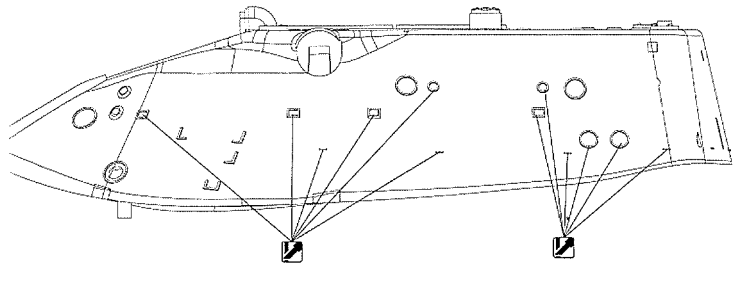
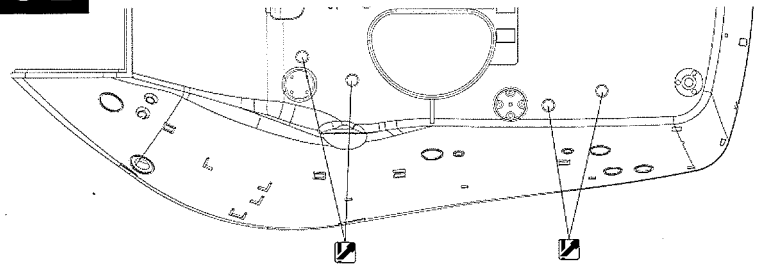
7-2



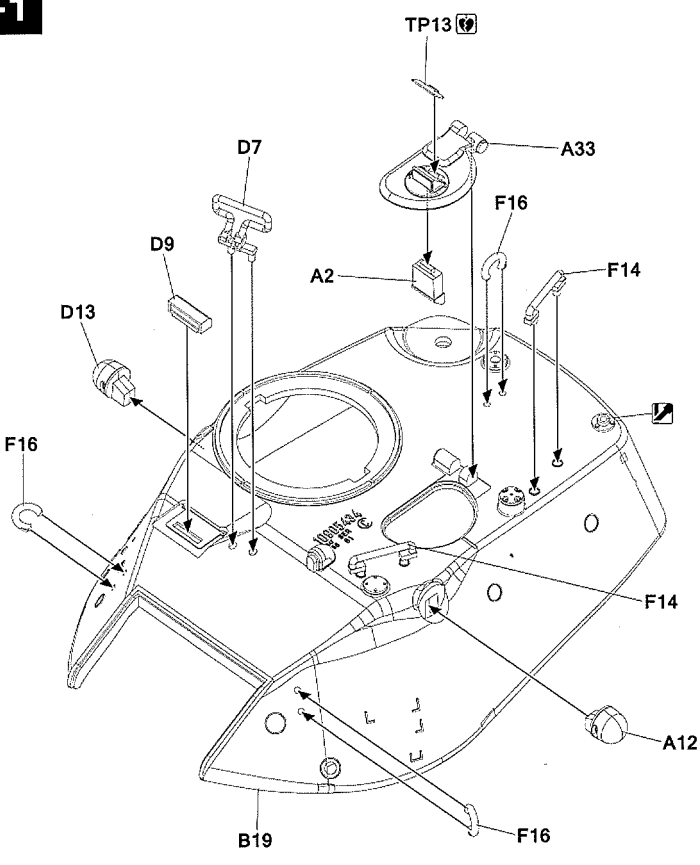
3-1



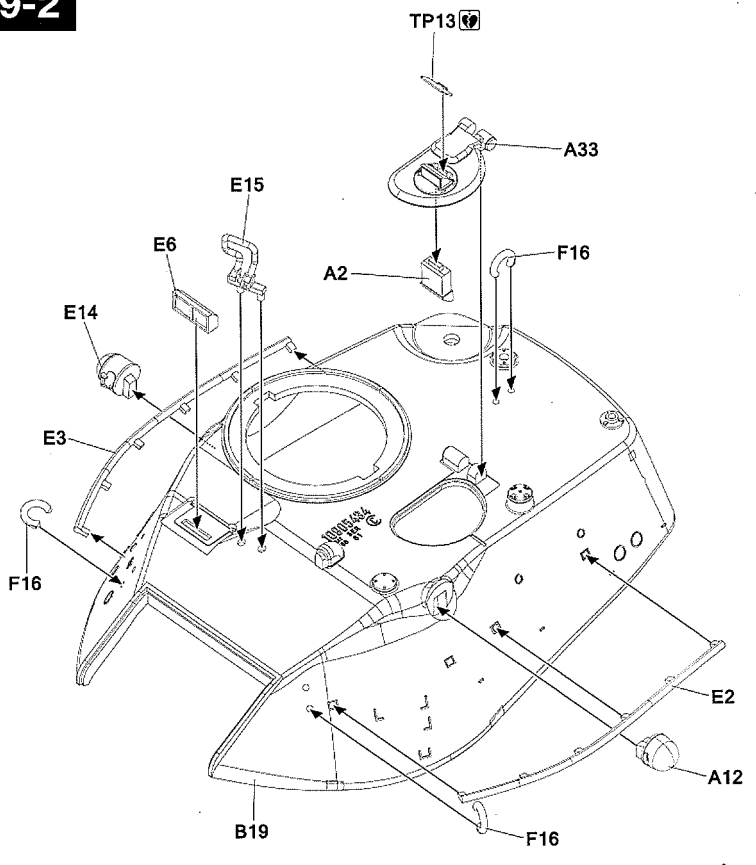
8-2

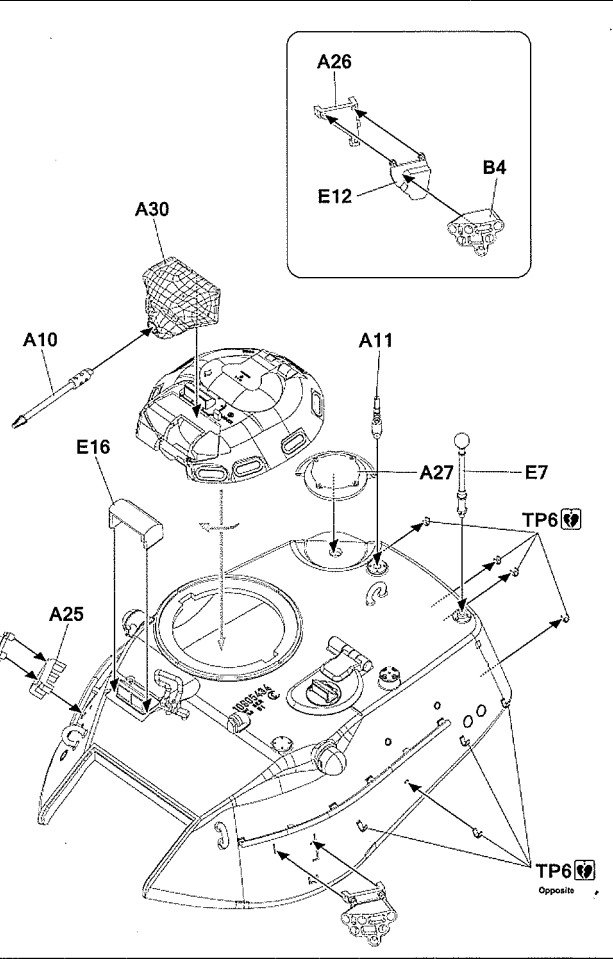
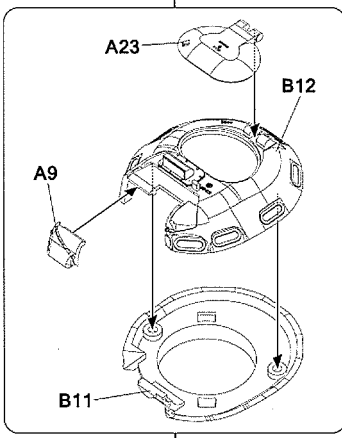
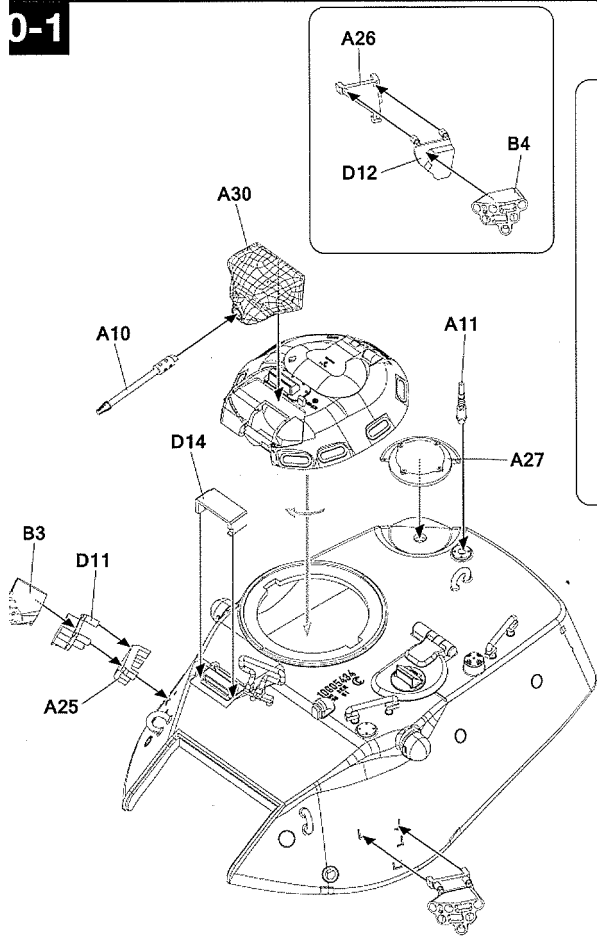


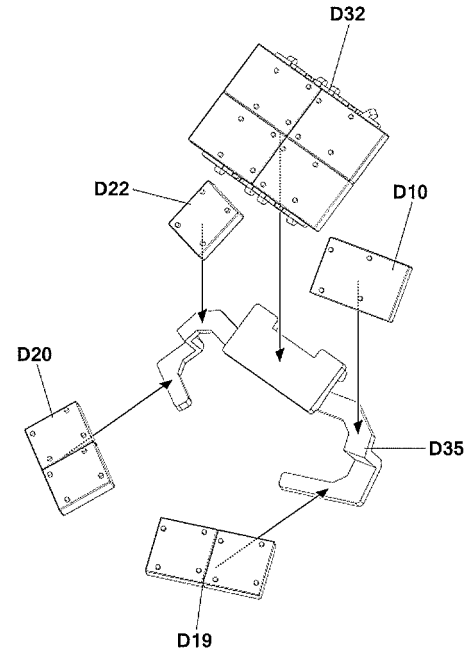
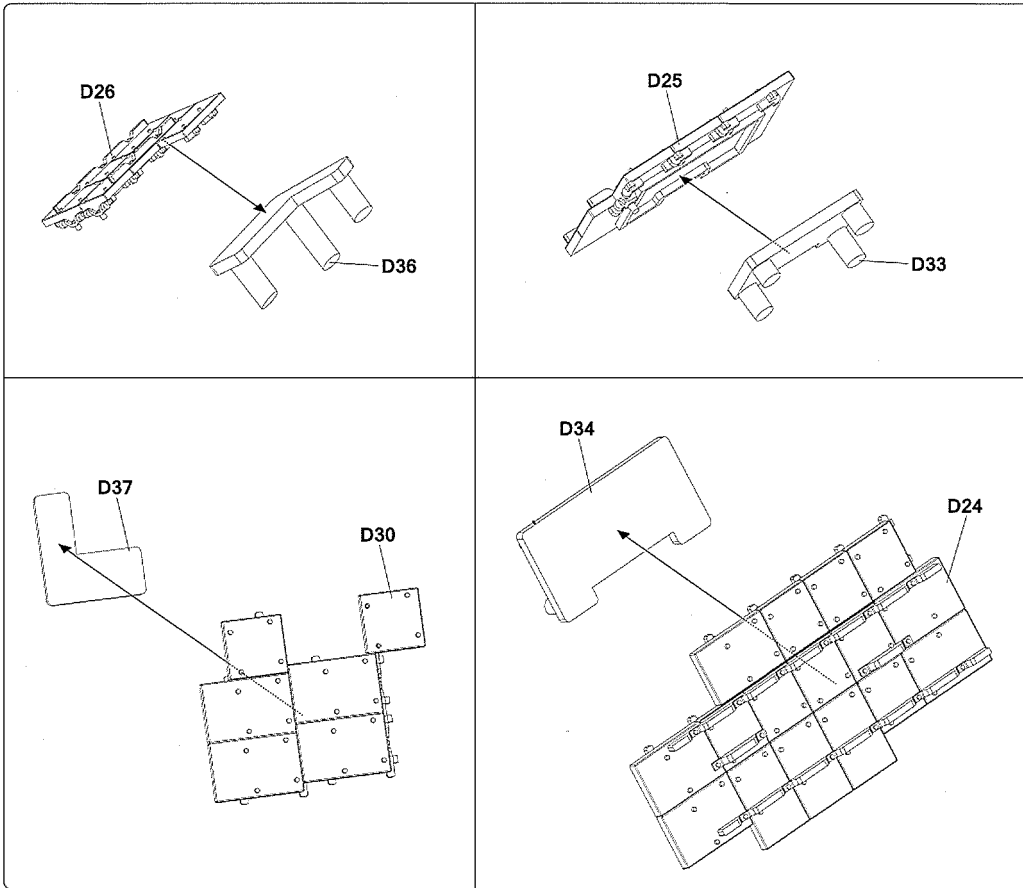
9-1

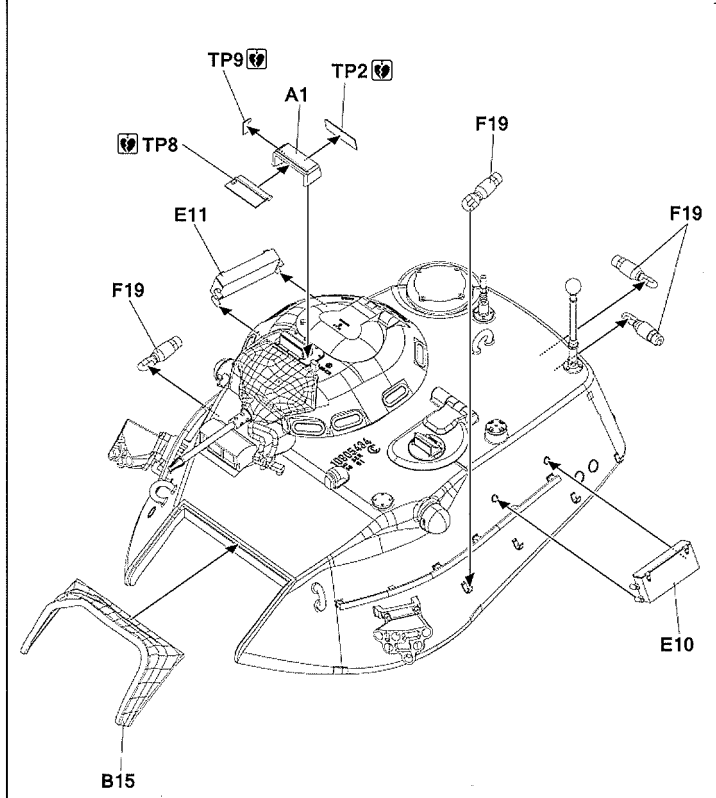
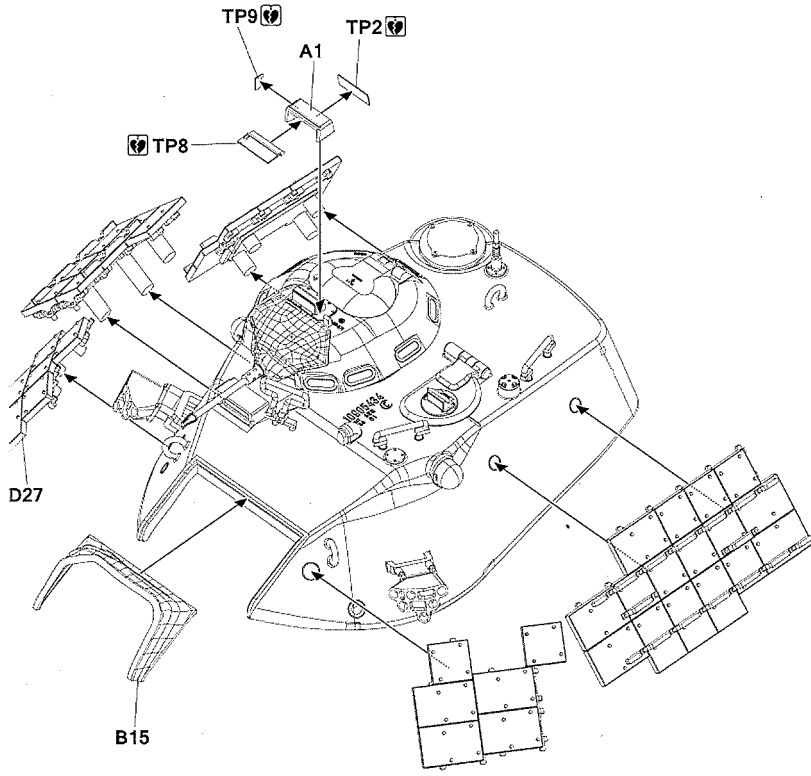


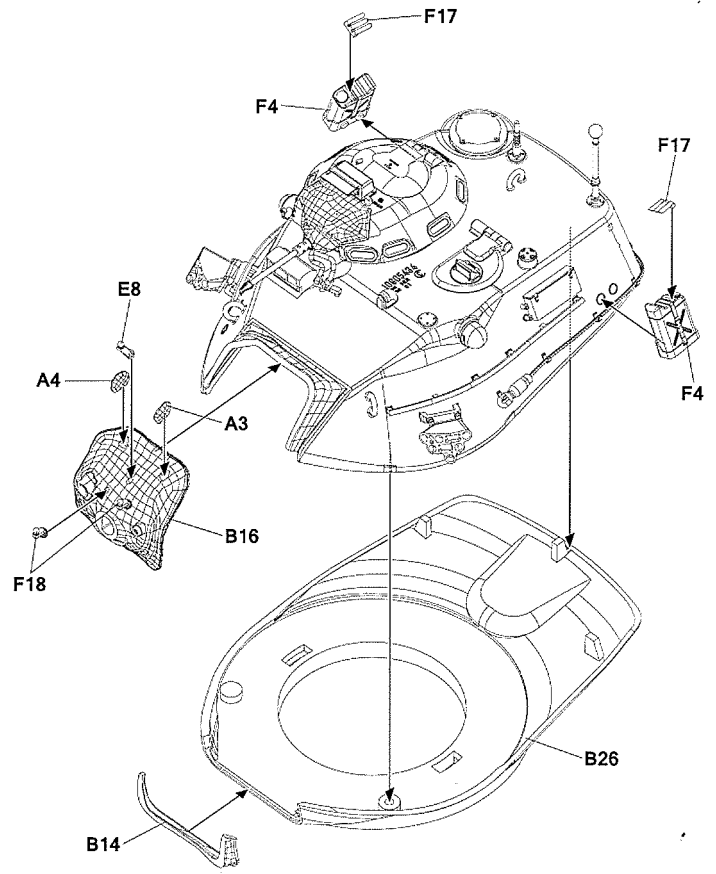
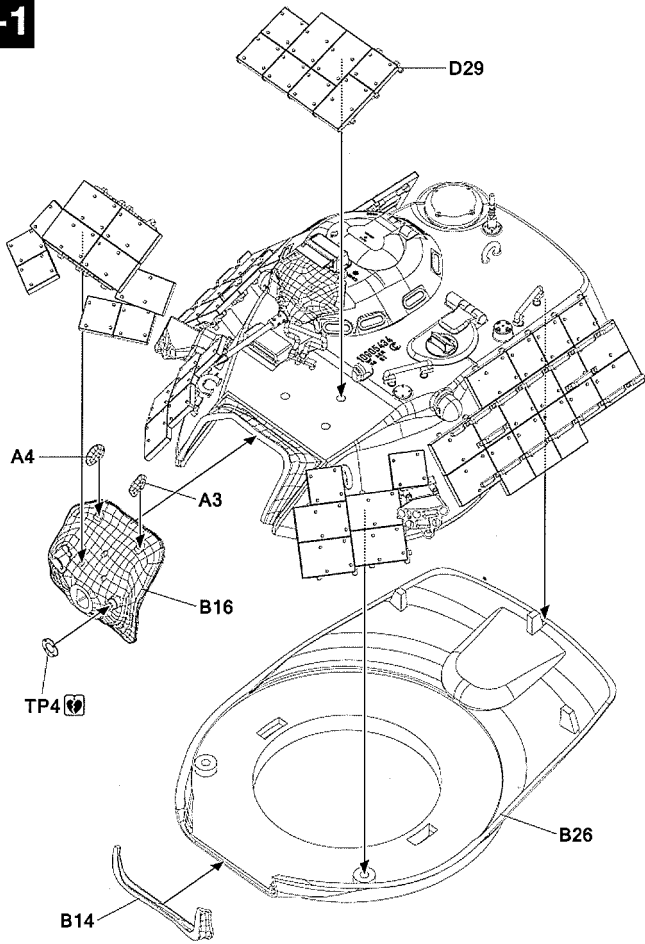
9-2

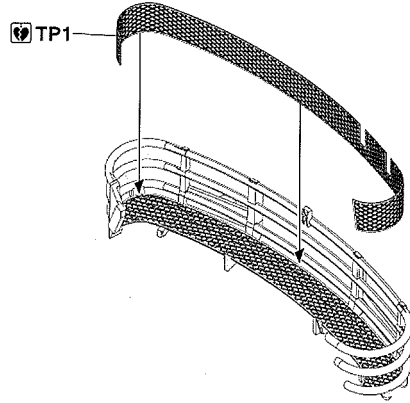
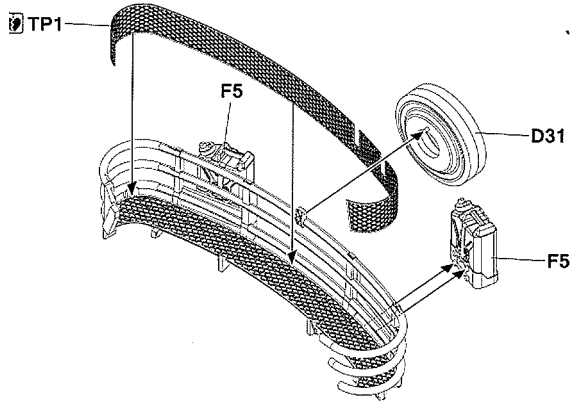
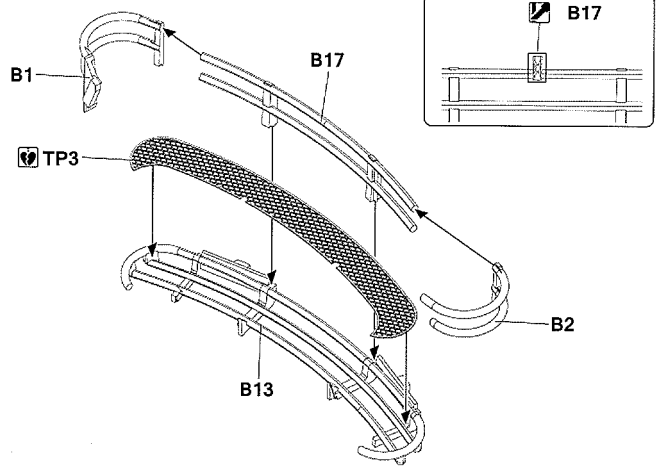
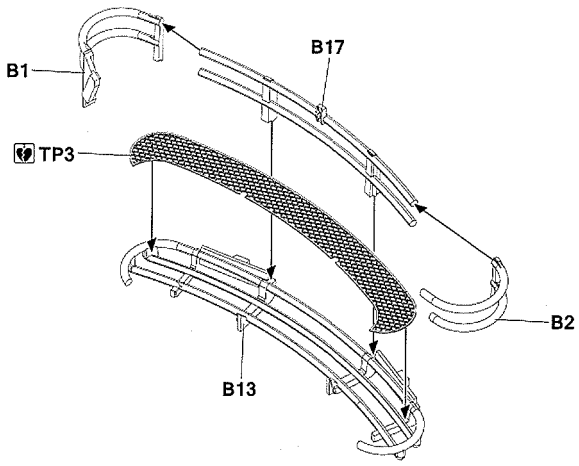


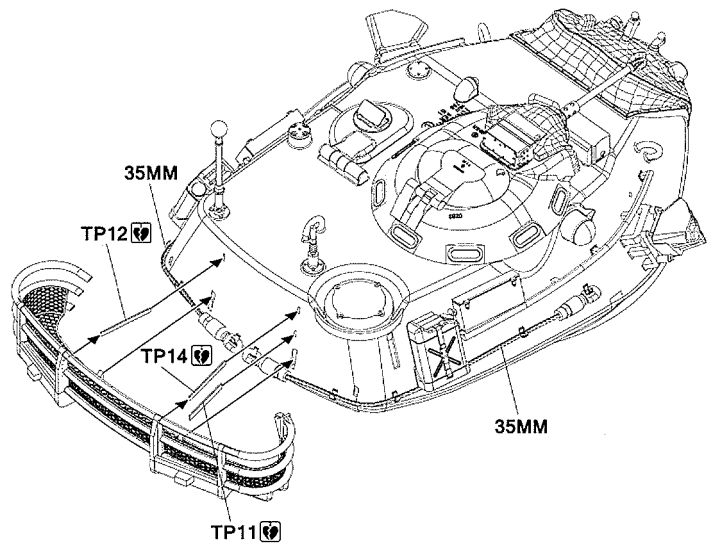
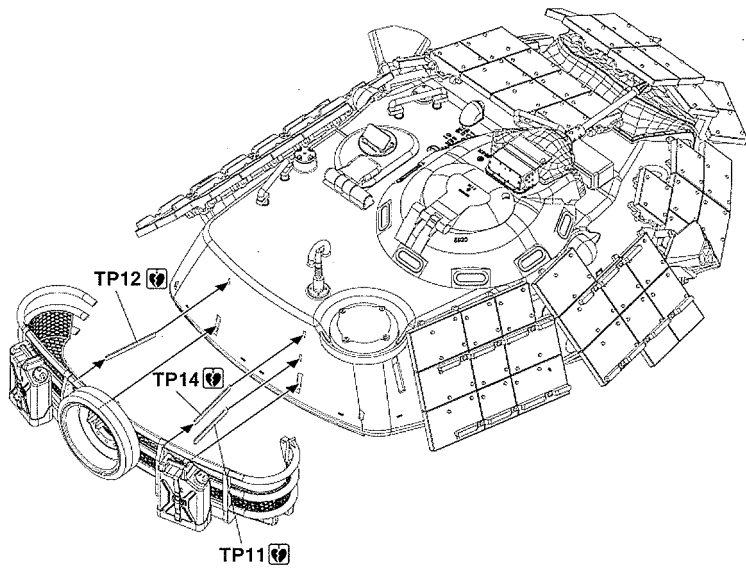




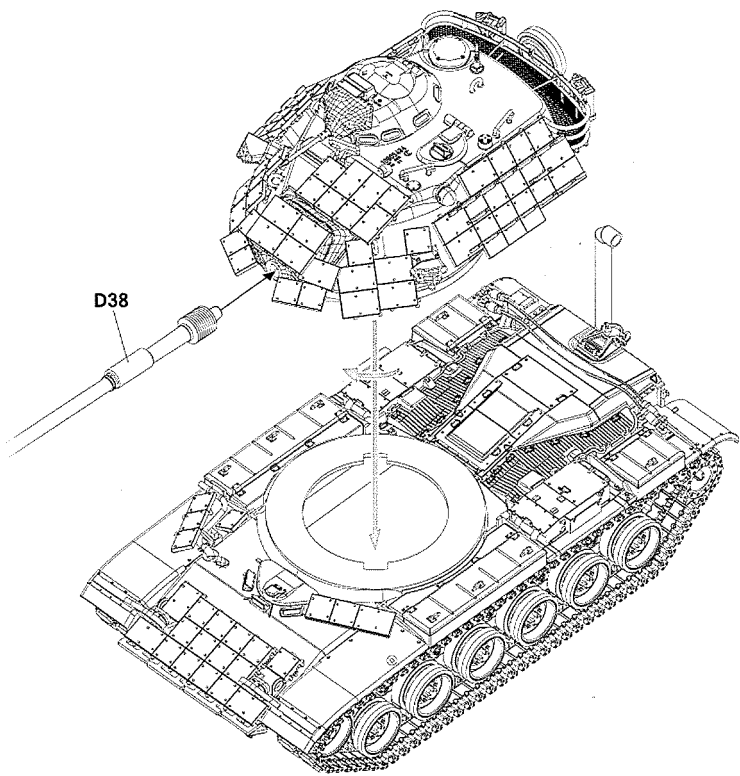




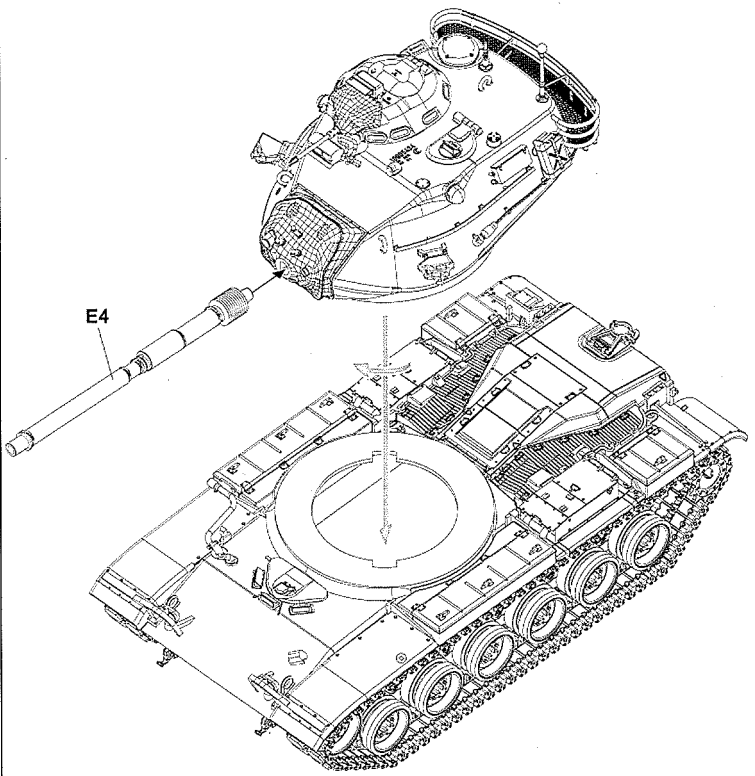




6-1



16-2



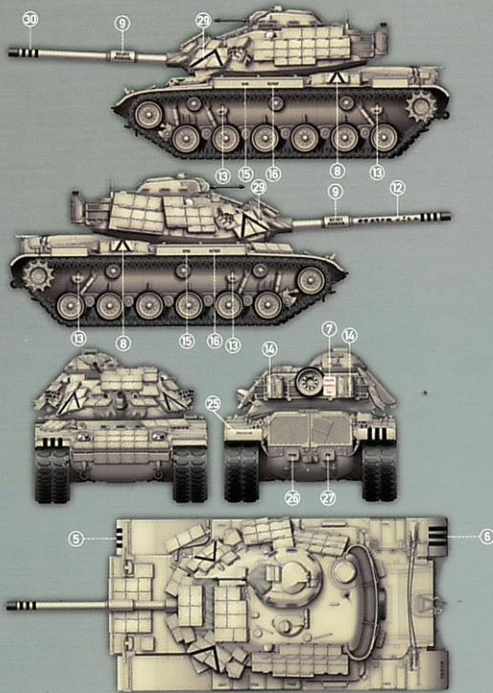
M60 A1 & M60 A3 1+1

Painting and Marking Guide

TAKOM Ref: 5022

M60 A1

3rd Platoon, Alpha Company, 8th Tank Battalion
USMC, Operation Desert Storm 1991



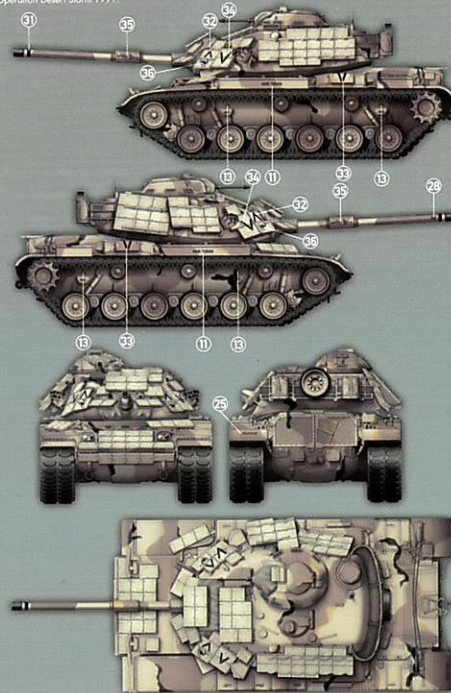
M60 A1 & M60 A3 1+1

Painting and Marking Guide

TAKOM Ref: 5022

M60 A1

C 12, 1st Platoon, Charlie Company, 3rd Tank
Battalion USMC, Regimental Combat Team-7
Task Force Ripper, Operation Desert Storm 1991

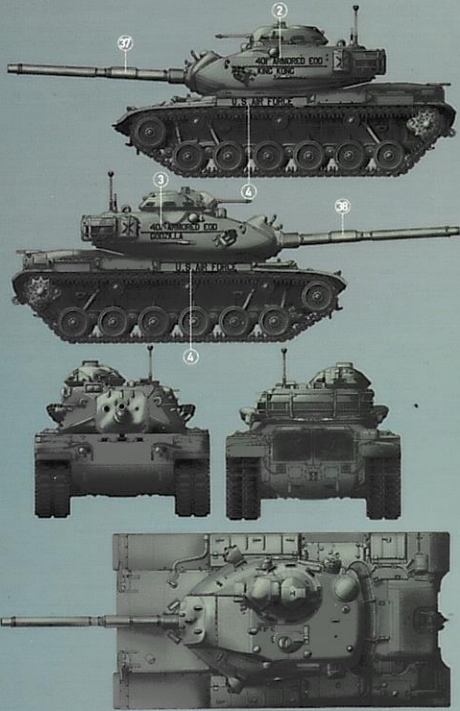


Handwritten signature or mark

Painting and Marking Guide

TAKOM Ref: 5022

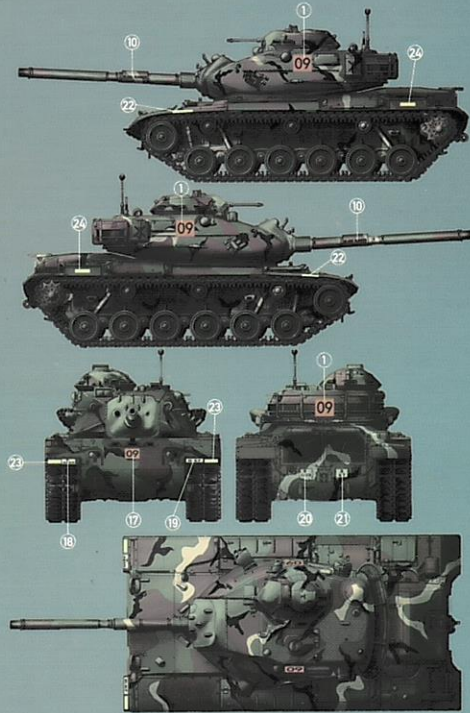
M60 A3

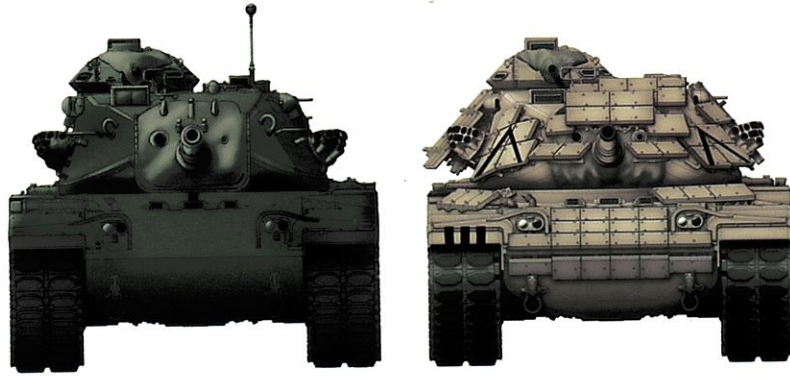


Painting and Marking Guide

TAKOM Ref: 5022

M60 A3





 You can find TAKOM on Facebook.com
