

ASSEMBLY INSTRUCTION

Bauanleitung

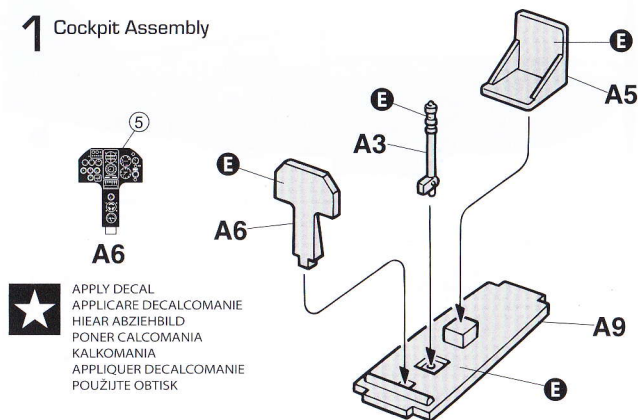
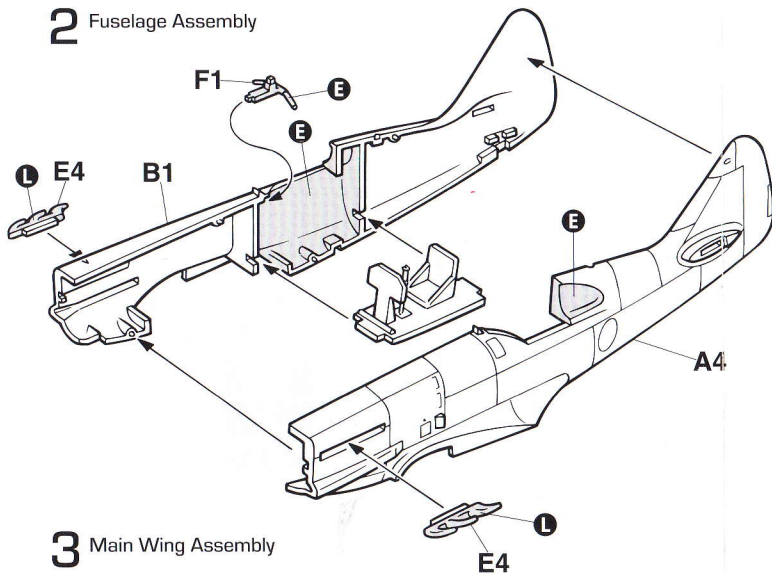
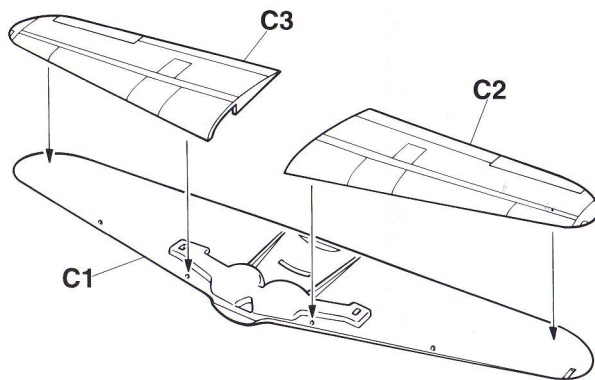
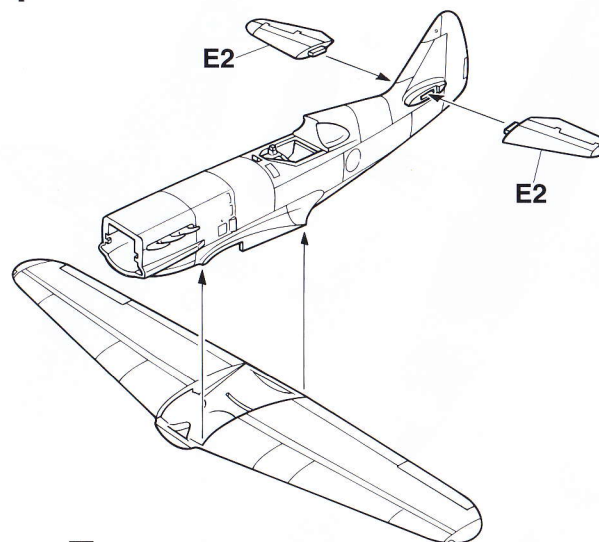
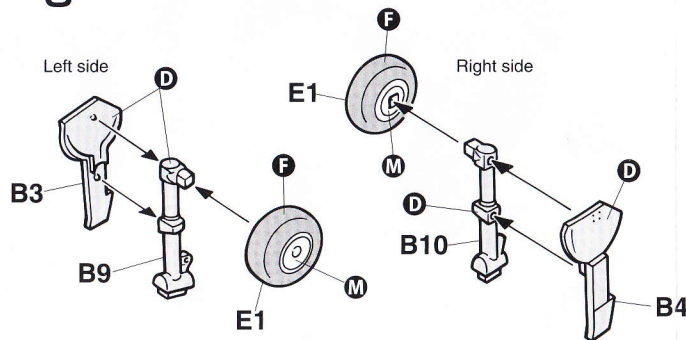
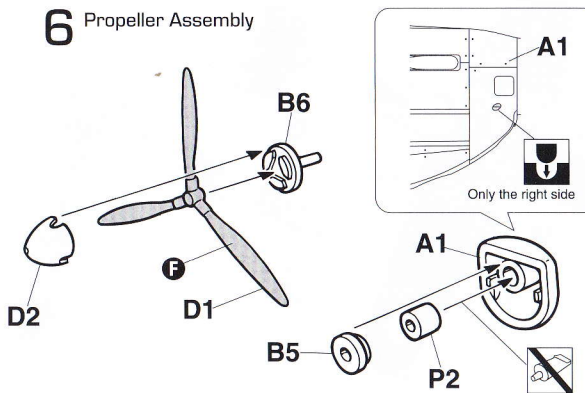
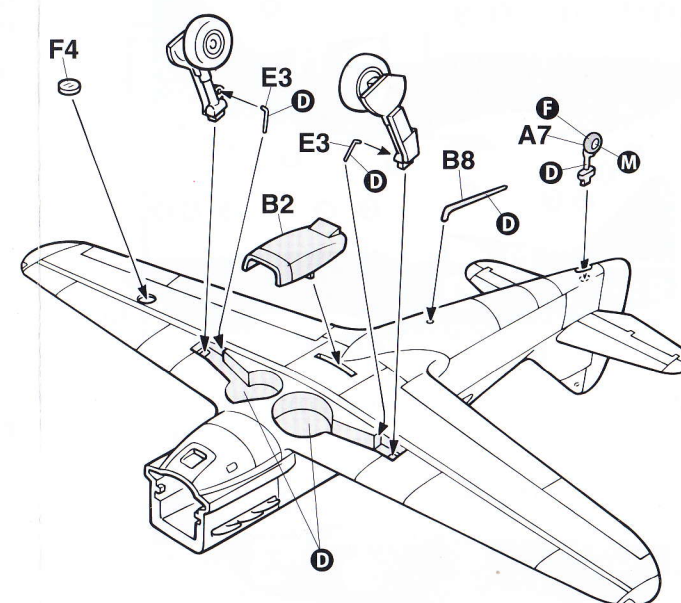
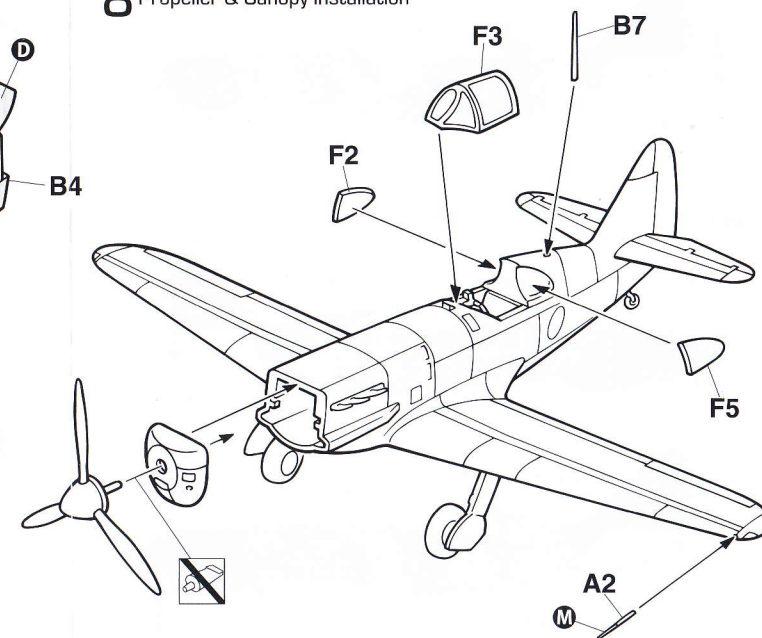
Istruzioni di Assemblaggio

Instructions de Montage

Instrukcja Montażu

Instrucciones de Montaje

Montážní Instrukce

FILL HOLE
SCHLIESSEN
ZAMKNAĆ OTWÓR
ZAKRYJTE OTVORFORO PIENO
EMPUJE EL AQUJERO
BOUCHER LE TROUDO NOT CEMENT
NICHT KLEBEN
NIE SKLEJAC
NELEPITNE PAS COLLER
NO PEGAR
NON INCOLLARE**1** Cockpit Assembly**2** Fuselage Assembly**3** Main Wing Assembly**4** Main Wing & Horizontal Stabilizer Installation**5** Main Landing Gear Assembly**6** Propeller Assembly**7** Various Parts Installation**8** Propeller & Canopy Installation

MARKINGS AND PAINTING

Marcio & Pittura

Markierungen und Bemalung

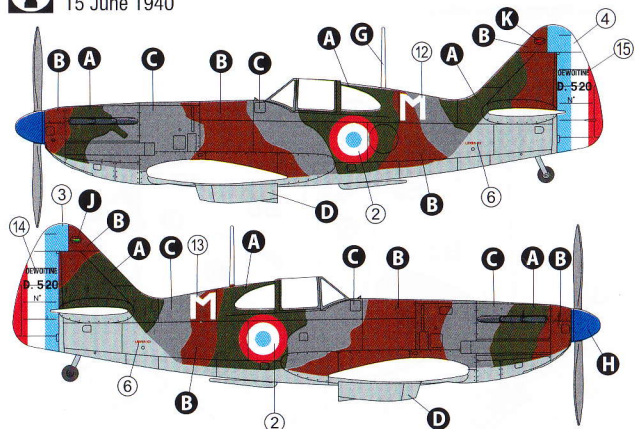
Oznakowania i Malowanie

Decoracion et Peinture

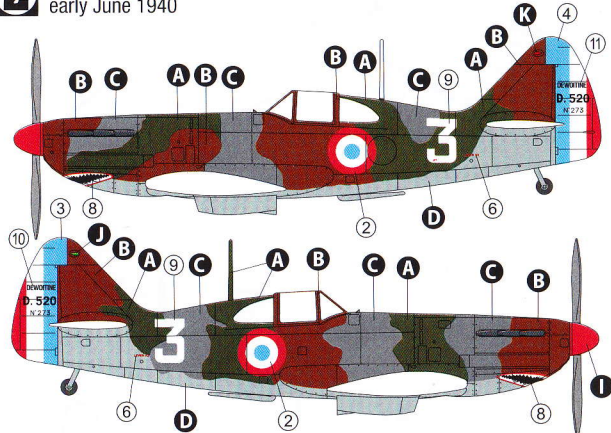
Označeni & Zbarveni

Decoracion y Pintura

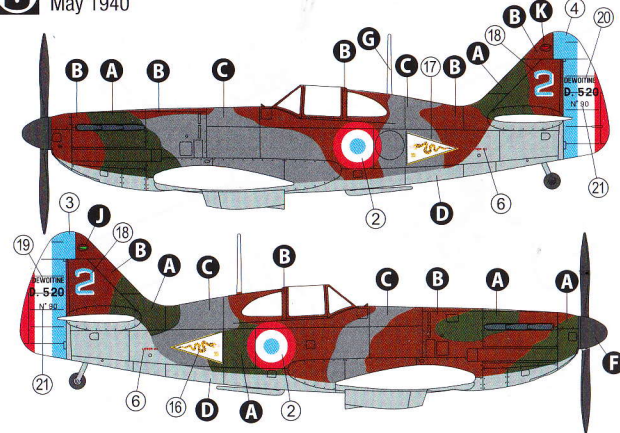
1 D.520, No.119, Col. Mieczyslaw Mümler, 3. Escadrille of GC II/7, Ouanne, France
15 June 1940



2 D.520, No.273, A/C Denis Ponteins, 4. Escadrille of GC II/7, Avelanges, France
early June 1940

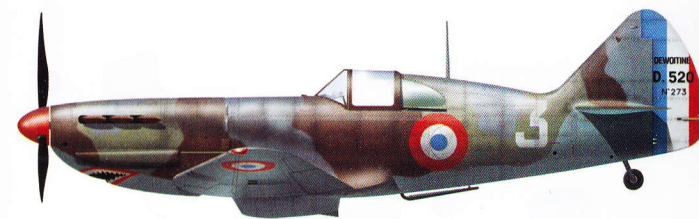


3 D.520, No.90, S/Lt Michel Madon, 1. Escadrille of GC I/3, Meaux-Esbly, France
May 1940



Dewoitine D.520 France 1940

72025



Painting Mask Set
F2 F5 E1 E1
F3 A7

Color Chart	Mr. COLOR	TAMIYA	AMMO	AK Interactive	HATAKA
Green	A 303	XF-81	074	RC 315	063
Dark Brown	B 304	XF-10	034	RC 068	079
Dark Blue-Grey	C 306	XF-25	228	RC 237	082
Light Blue-Grey	D 308	XF-23	208	RC 252	083
Midnight Blue	E 337	XF-17	250	RC 258	001
Flat Black	F 033	XF-1	046	RC 001	100
Flat White	G 062	XF-2	050	RC 004	101
Flat Blue	H 110	XF-50	086	RC 236	255
Flat Red	I 068	XF-7	049	RC 006	103
Clear Green	J 138	X-25	092	RC 505	CC03
Clear Red	K 047	X-27	093	RC 503	CC02
Burnt Metal	L 061	XF-84	187	RC 015	
Silver	M 008	X-11	195	RC 020	003
Buff	N 313	XF-59	061	RC 046	097