

Northrop HL-10 Lifting body

1/72 scale resin model kit

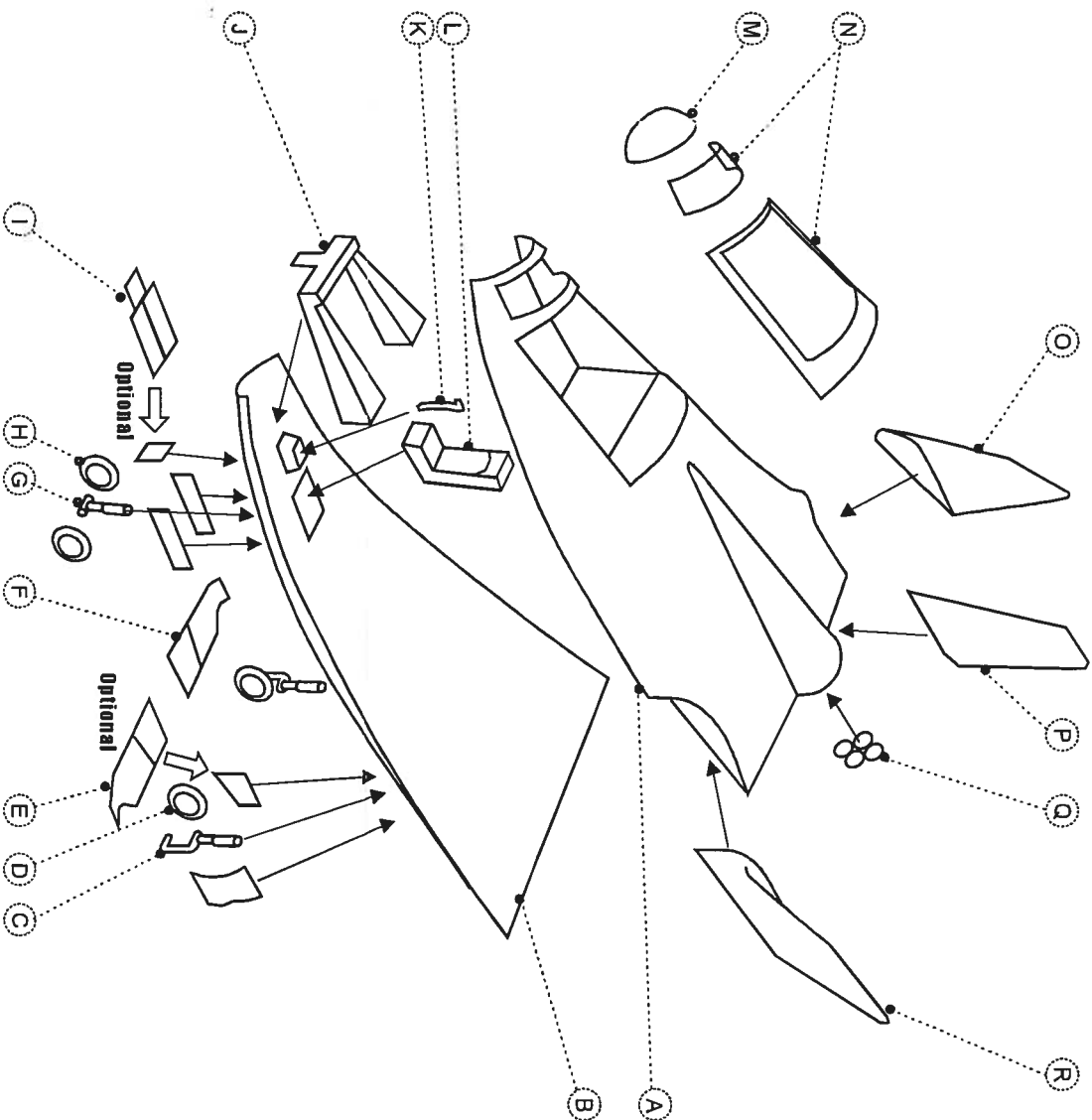
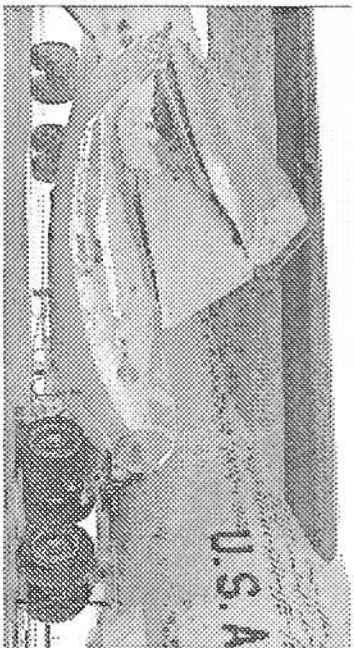
#AA-2014

In 1962, NASA started a program to build a lightweight, powerless lifting body, the M2-F1 as a prototype to study the wingless vehicle concept. It was designed to demonstrate the ability of pilots to maneuver in the atmosphere, and safely landing after reentry from space. With the success of the M2-F1 program, which led to NASA's development of two heavyweight, powered lifting bodies, the Northrop M2-F2 and HL-10. Designation "HL" stands for "horizontal landing". First powerless glide flight was drop launched from B-52 in Jan 1966, and then modified it for powered flight started from Dec 1966. On Feb 1970, U.S. Air Force test pilot reached Mach 1.86 to become the fastest lifting body flight. In that year, the Space Shuttle was being discussed. The HL-10 was selected to test the powered-landing program for NASA Shuttle. After completed 37 flights on July 1970, the HL-10 was retired and stored in Dryden Flight Research Center.

Specifications:

- Wingspan- 15ft.7in.
- Length- 22ft.2in.
- Height- 11ft.5in.
- Power- XLR-11 four-chambers rocket engine x1
- Crew- 1
- Max speed- Mach 1.86

Flight tests were air launched from B-52 mother ship.









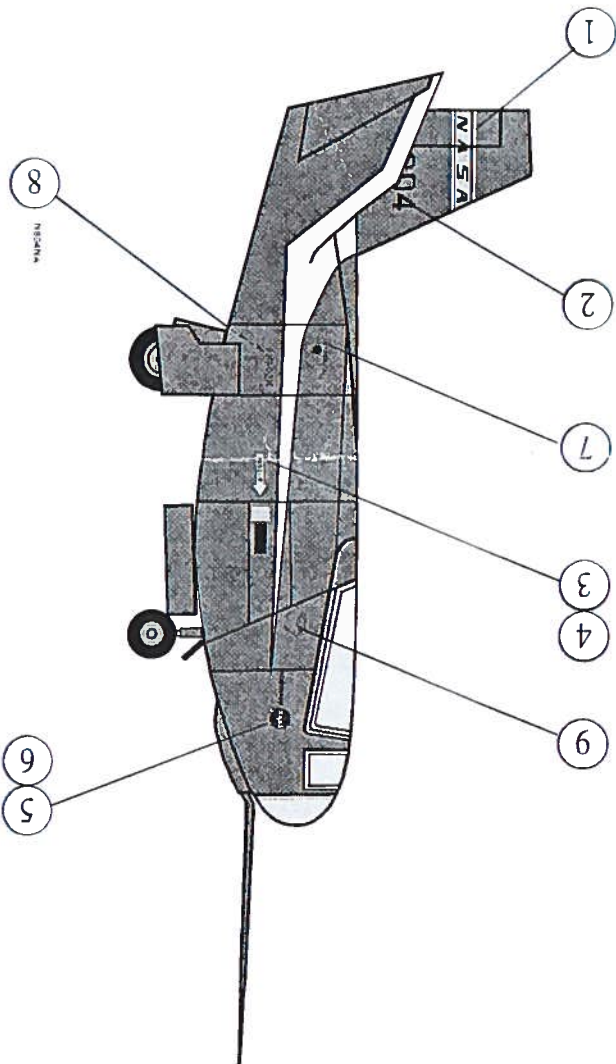
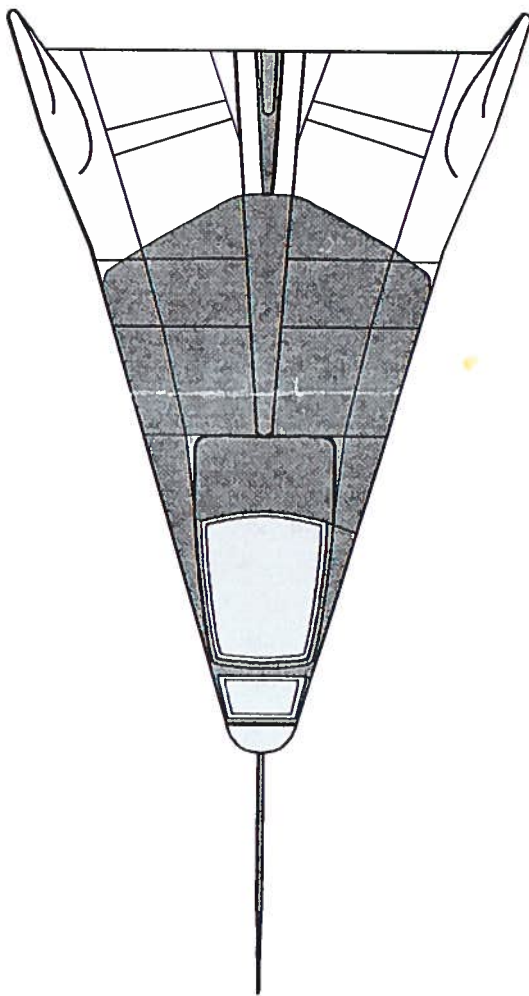
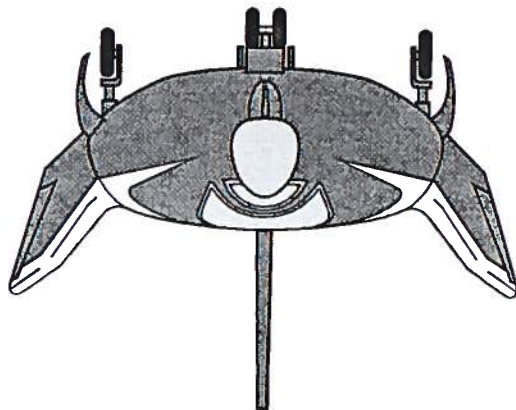
- (A) Top fuselage x 1
- (B) Bottom fuselage x 1
- (C) Main gear x 2
- (D) Main wheel x 2
- (E) Main gear door left x 1
- (F) Main gear door right x 1
- (G) Nose gear x 1
- (H) Nose wheel x 2
- (I) Nose gear door x 1
- (J) Instrument panels x 1
- (K) Control lever x 1
- (L) Pilot seat x 1
- (M) Nose canopy x 1 (clear blister)
- (N) Canopy x 1 (clear blister)
- (O) Left stabilizer x 1
- (P) Center stabilizer x 1
- (Q) After burner x 1
- (R) Right stabilizer x 1

ANIGRAND
CRAFTS WORK

PO Box 40, Texaco Road,
NT, Hong Kong.
E-mail : email@anigrand.com
Web : <http://www.anigrand.com>

Painting & Decals

- Mid Grey (Cockpit Interior) 
- Flat Black (Wheel tires) 
- Red (Seat Cushion) 
- Aluminum Silver (Overall) 
- Burn Iron (After burner) 
- White (Fuselage painting) 



8
NESMA

7004
NASA