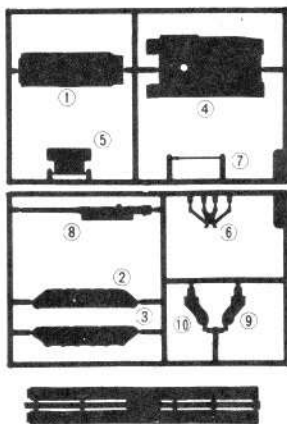


M40 BIG SHOT

155 MM GUN

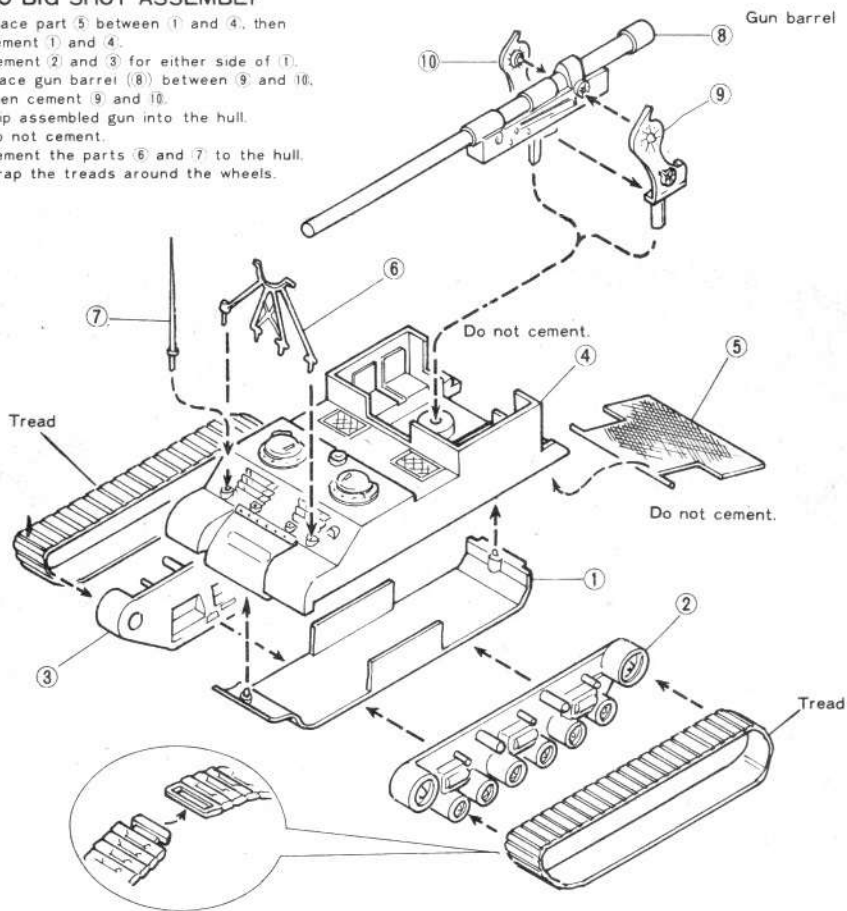


K-504



M40 BIG SHOT ASSEMBLY

- Place part 5 between 1 and 4, then cement 1 and 4.
- Cement 2 and 3 for either side of 1.
- Place gun barrel (8) between 9 and 10, then cement 9 and 10.
- Slip assembled gun into the hull.
Do not cement.
- Cement the parts 6 and 7 to the hull.
- Wrap the treads around the wheels.



- Connecting the tread.