










# U.S.S. SAN DIEGO

## INSTRUCTION SHEET

### IMPORTANT! READ THESE POINTS BEFORE YOU BEGIN

- 1 "TEST FIT" all parts before cementing. Trim excess plastic from parts before joining.
- 2  **Cement parts.** Use cement made for styrene plastic only.  
 **Do not cement together.**
- 3 **Paint all sub-assemblies before attaching parts.** Use only bottle or spray paint made for styrene plastic. Scrape paint & chrome away from surfaces to be cemented together.
- 4  This kit may be built more than one way. Decide on which version you wish to build.
- 5 Follow all of the numbers on the instruction sheet.
  - 1  White numbers in a star indicate an assembly.
  - 1  Black numbers in a star indicate a completed assembly.
  - 1  Black numbers in a circle indicate part numbers.
- 6  Apply decal at this time. Cut decal from sheet. Place decal in warm water for about 45 seconds, then slide decal off backing paper into position and wipe decal gently with a damp cloth.

### MODELING HINTS:

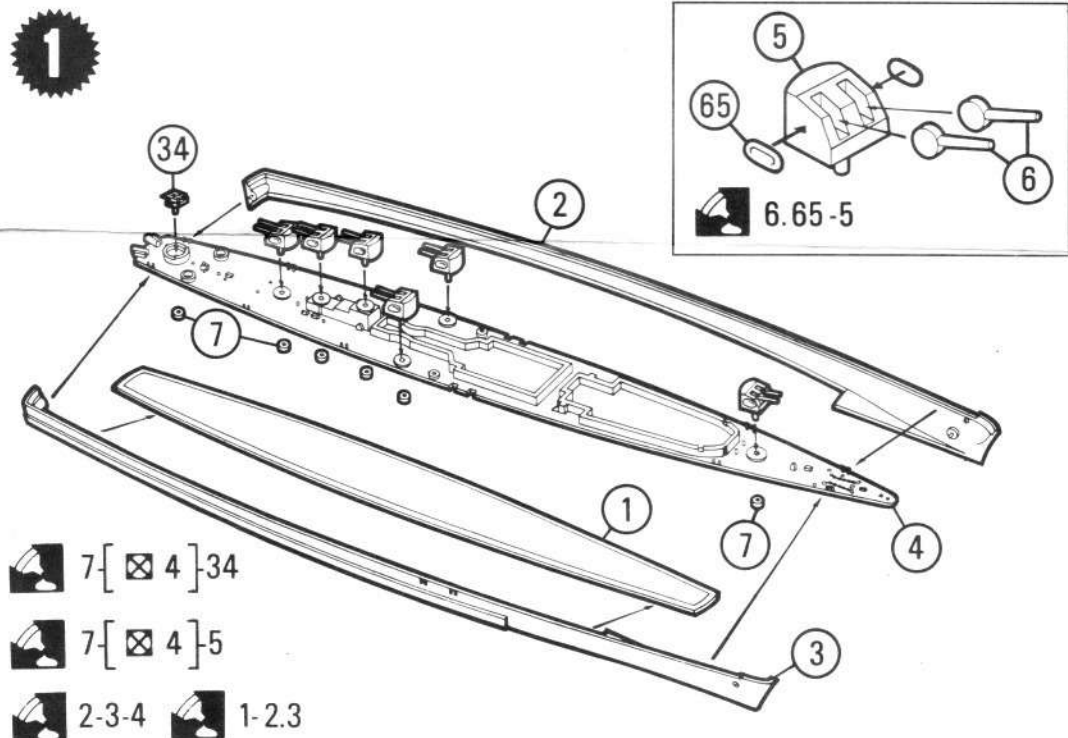
**IMPORTANT NOTE:** Do not remove parts from runners until ready to use.



### PAINT SUGGESTIONS:

The following suggestions may be of help in painting your model. Allow time for paint to dry thoroughly before handling parts. Use the box cover for a reference in painting your model. Paint colors are indicated by letters (see chart below).

FLAT BLUE/GREY .....	a
FLAT MEDIUM GREY .....	b
FLAT SEA BLUE .....	c

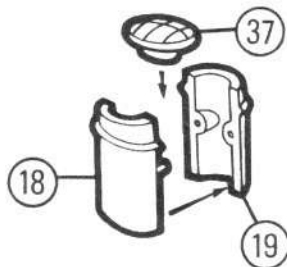


**2**



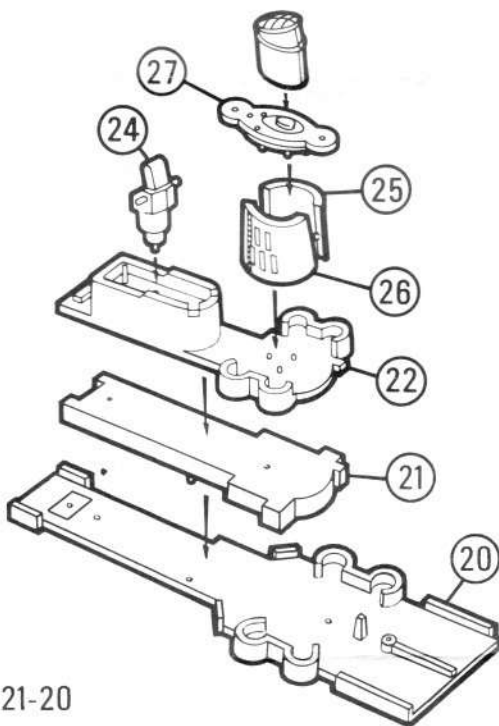
 28-29-37

**3**



 18-19-37

**4**



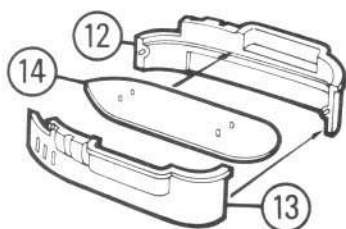
 **2** -27


 24-22

 25-26-27

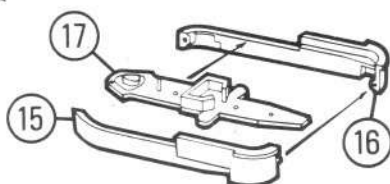
 26.27-22  22-21-20

**5**

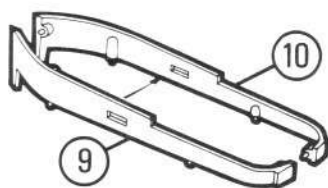


 12-13-14

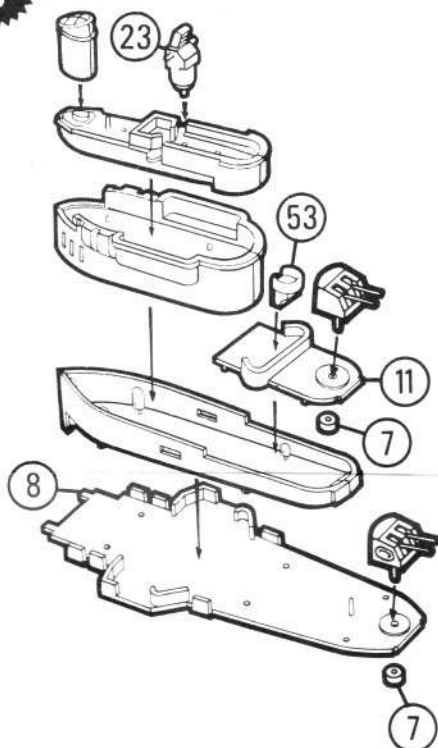
**6**



 15-16-17

**7**

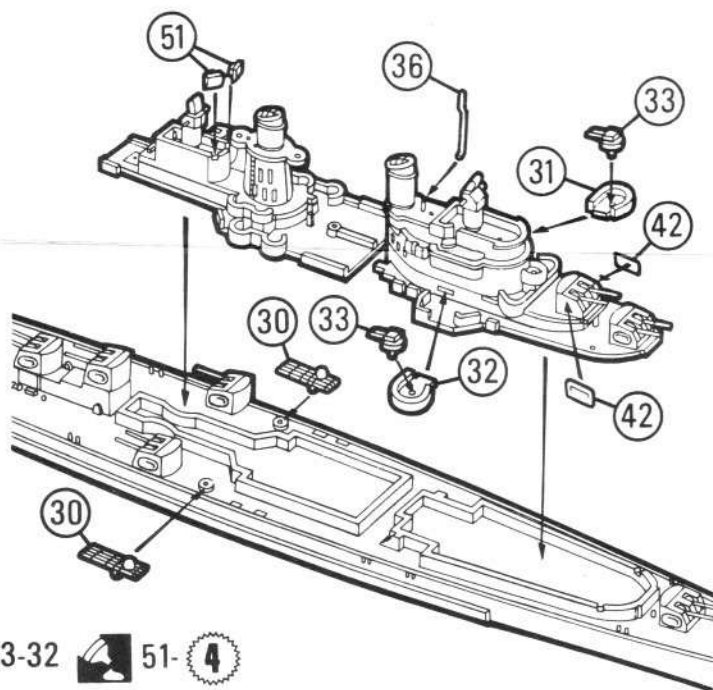
9-10

**8**

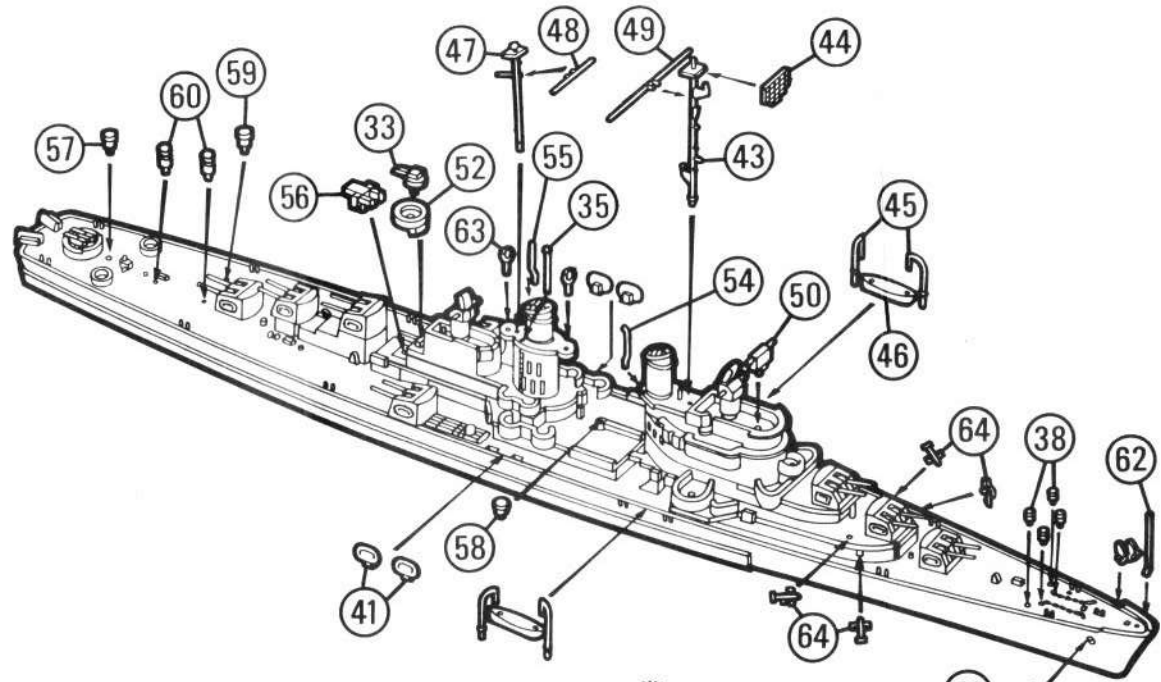
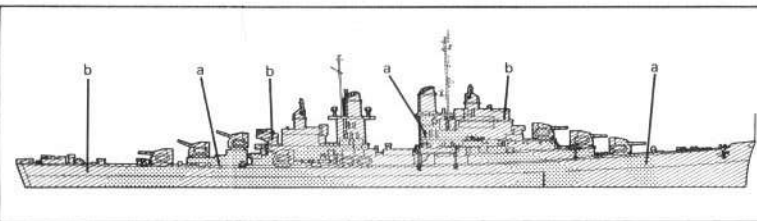
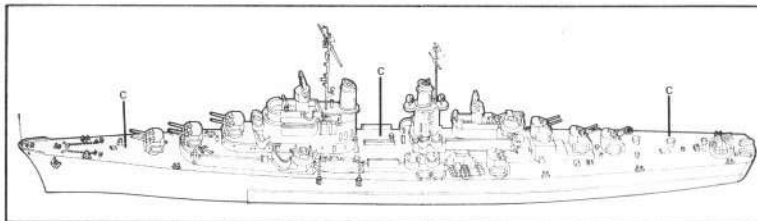
53-11

 23 **3** - **6**

5 [ 8 ] - 7

 5 [ 11 ] - 7 **5** - **6** - **7** - 8
**9**
 33-31 33-32 51- **4**

 31.32.36.42- **8** 30 **4** **8** - **1**



47-48



44.49-43



33-52



45-46



38.41.43.45.47.50.52.54.55.56.57.58.59.60.61.62.63.64-



A **MATCHBOX** QUALITY PRODUCT



**SAN DIEGO**