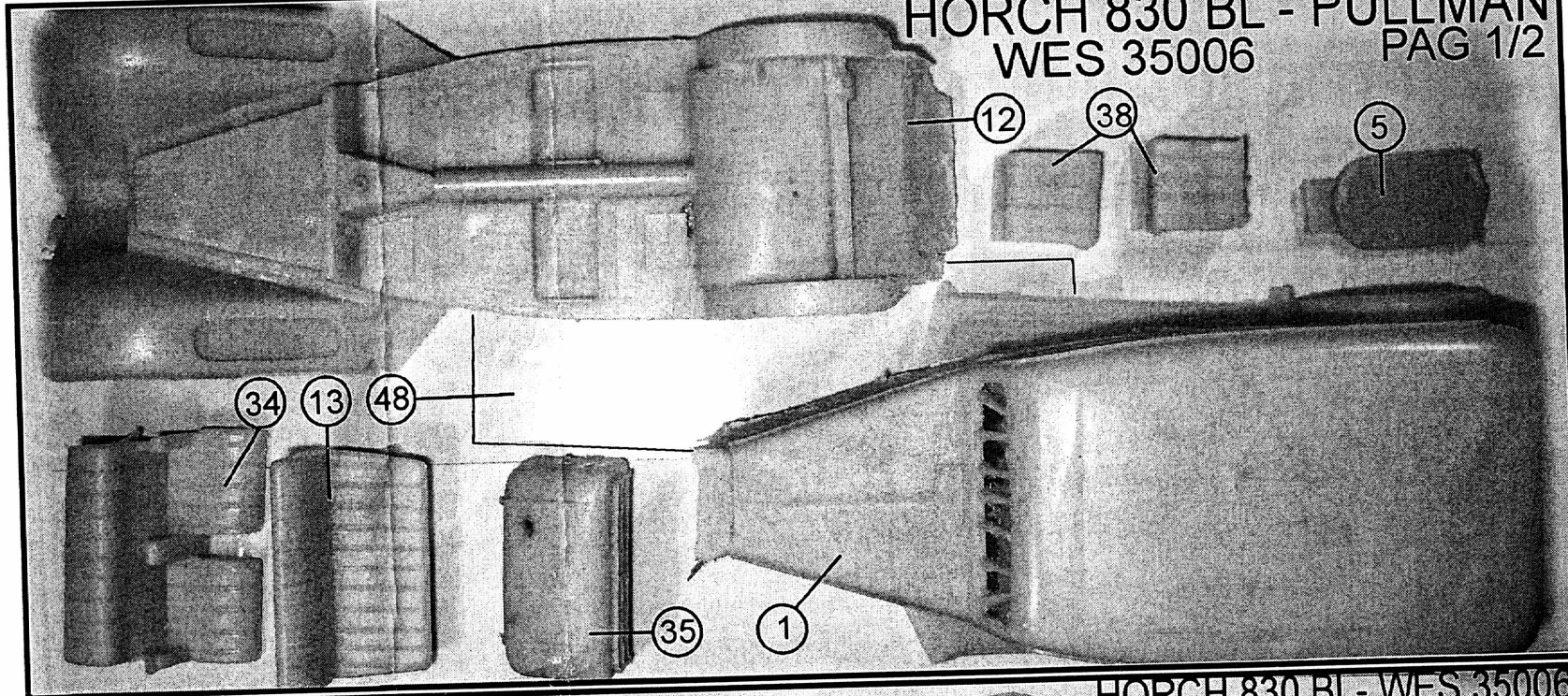
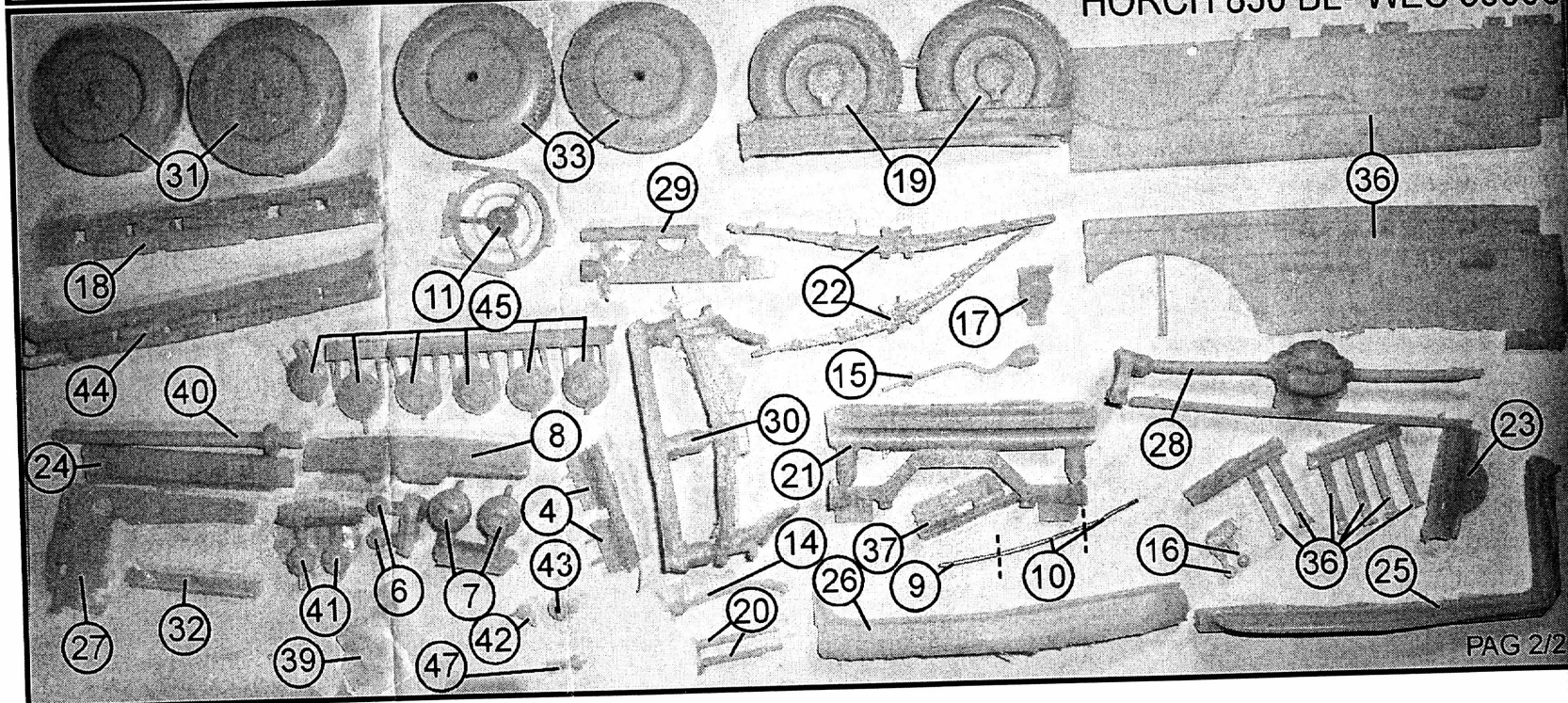


HORCH 830 BL - PULLMAN
WES 35006
PAG 1/2



HORCH 830 BL - WES 35006



WESPE MODELS

1:35

CODE: WES 35006

HORCH 830BL - PULLMAN - LIMOUSINE

V8 -cyl. 3,8 l / 92-bhp engine, driving rear. Leaf-spring suspension. Tyre size 6.00 x 18.

Wheelbase 3342 mm. Overall dimensions = 4830 x 1780 x 1732 mm.

Total built = 13057

