

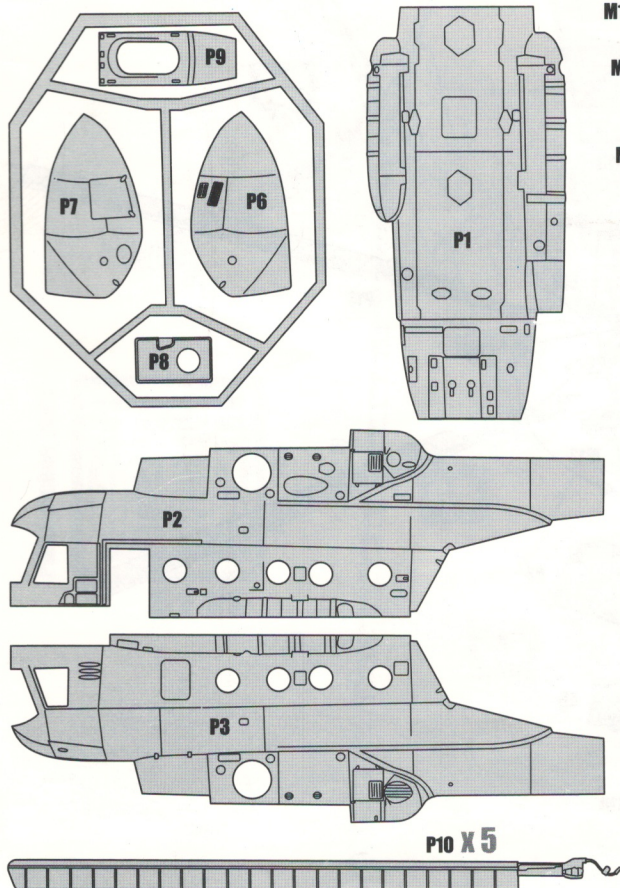


Mil Mi-8MT

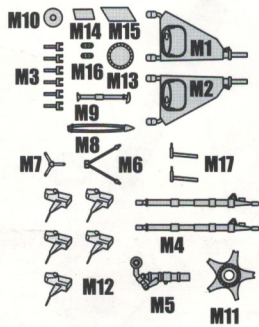
scale 1:48

Soviet AF helicopter

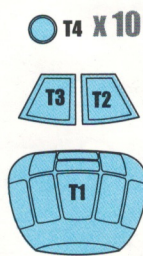
Plastic parts



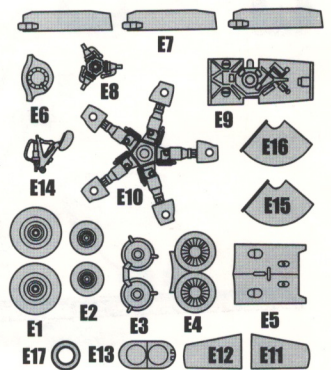
Metal parts



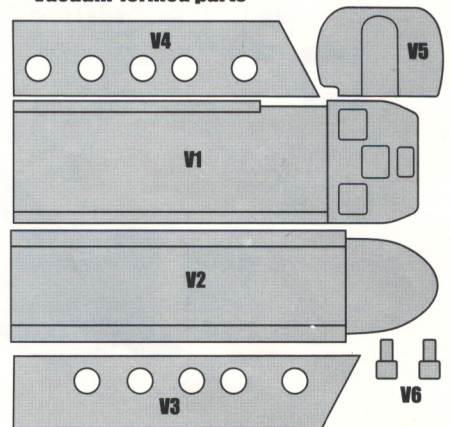
Transparence parts

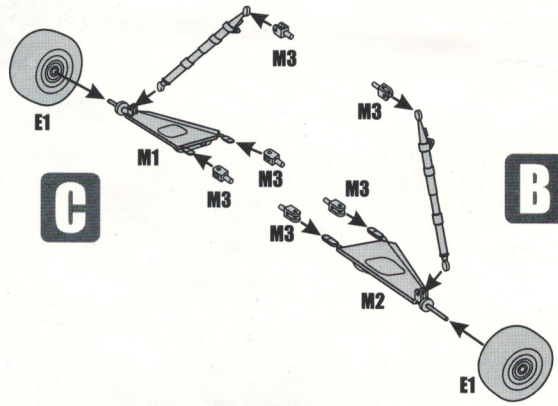
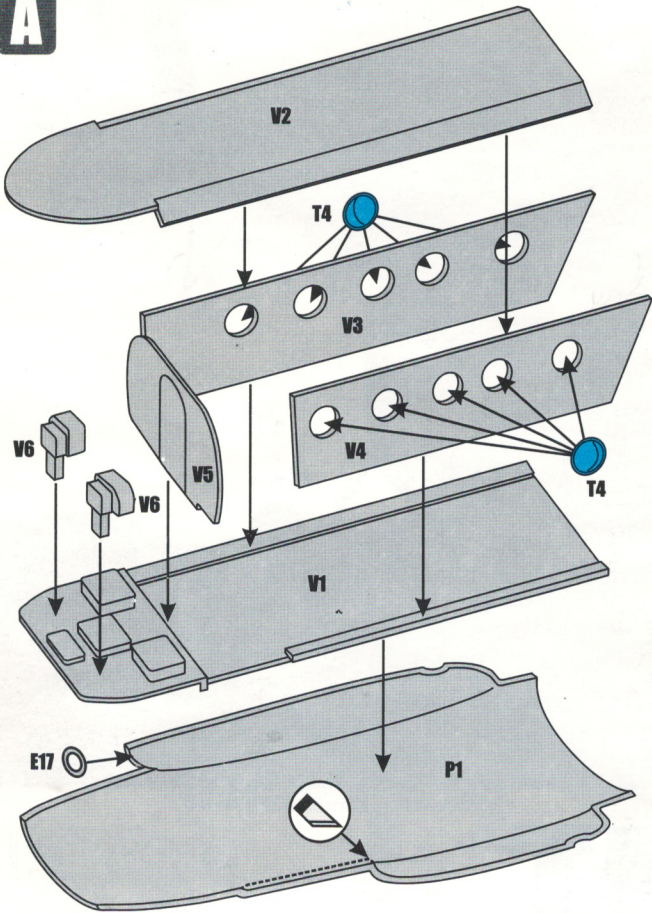
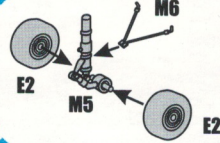
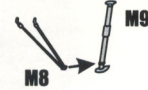
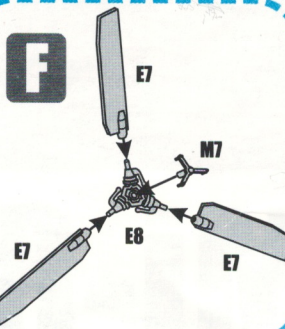
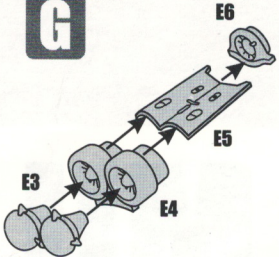
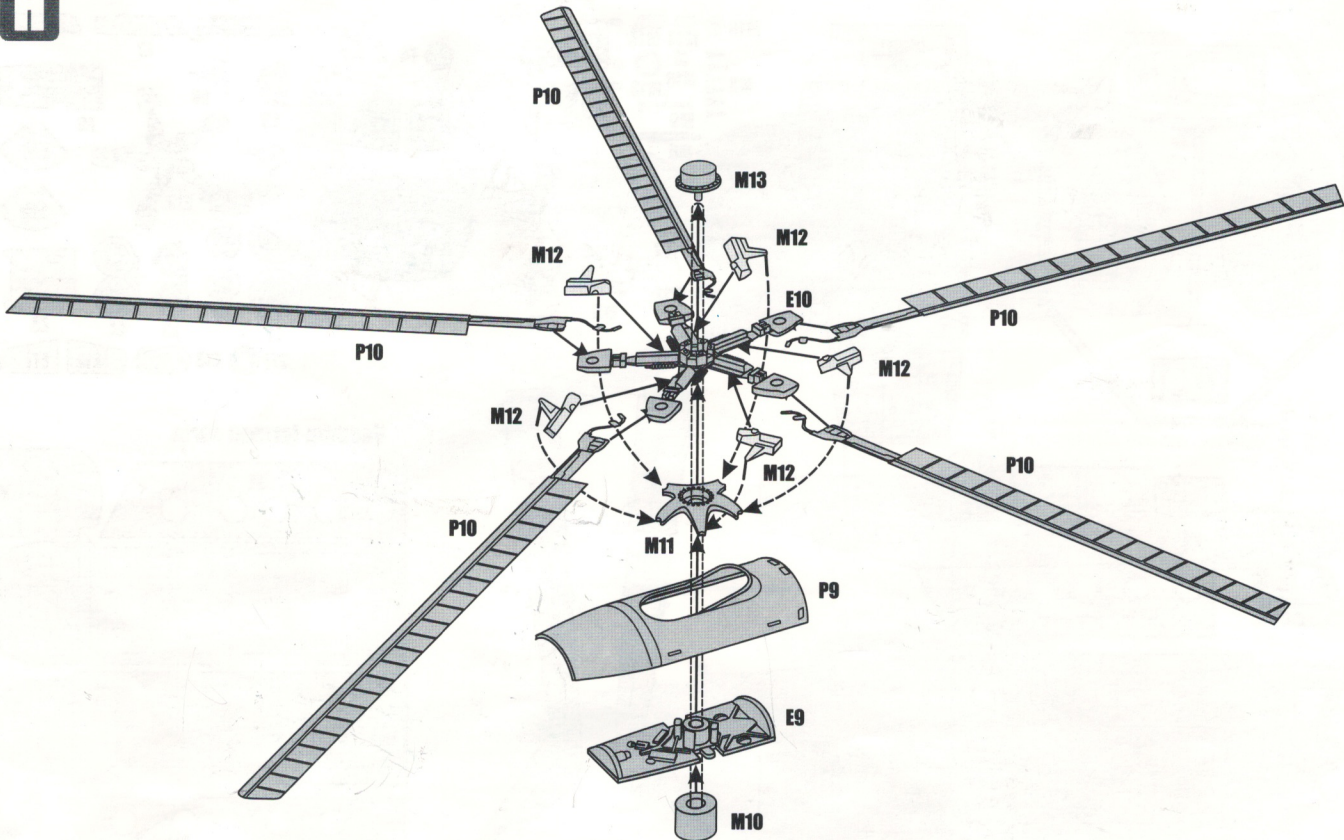


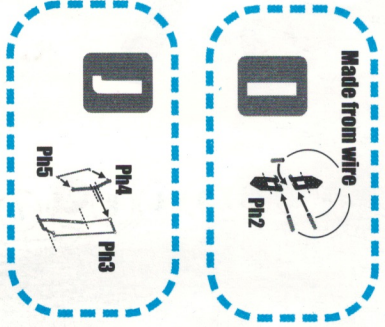
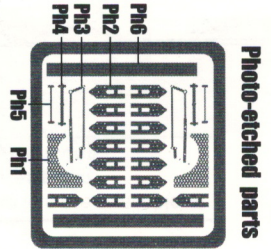
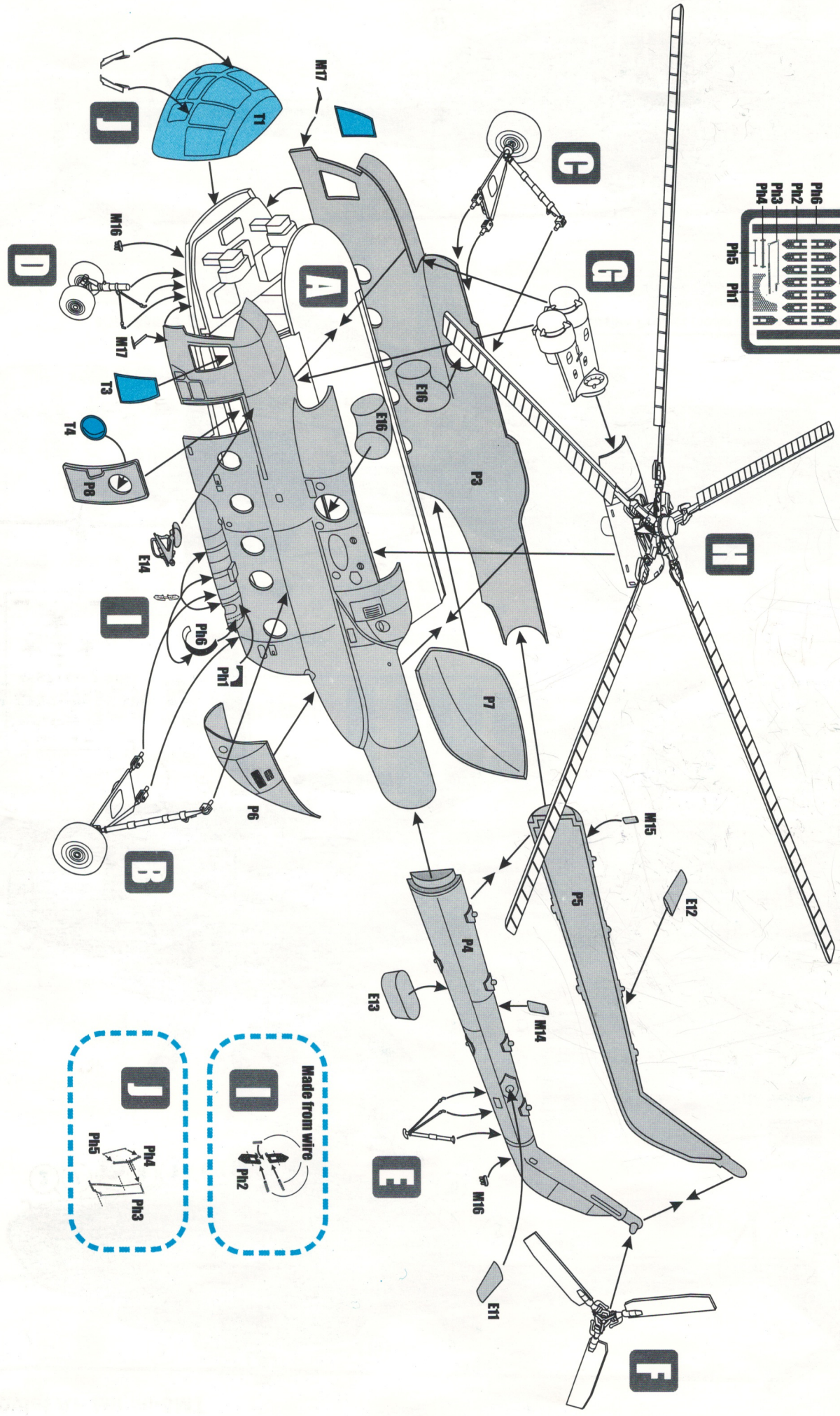
Epoxy parts



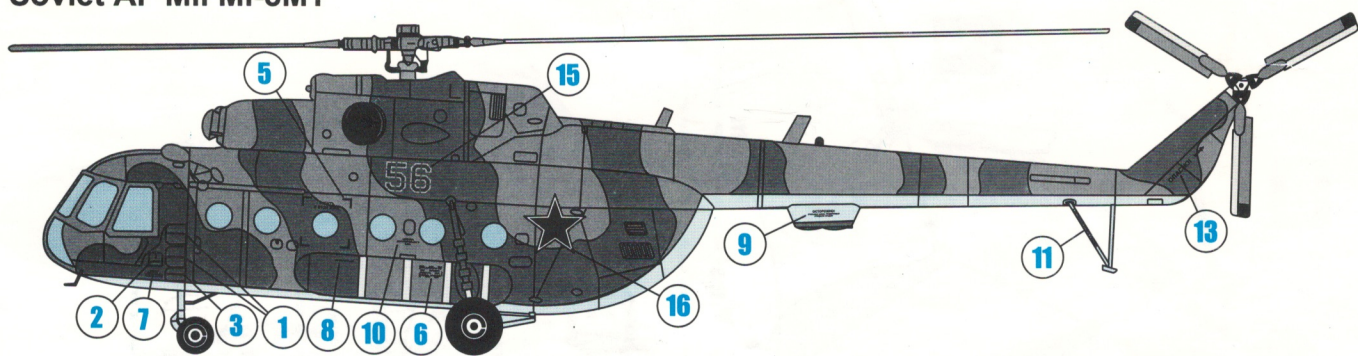
Vacuum-formed parts



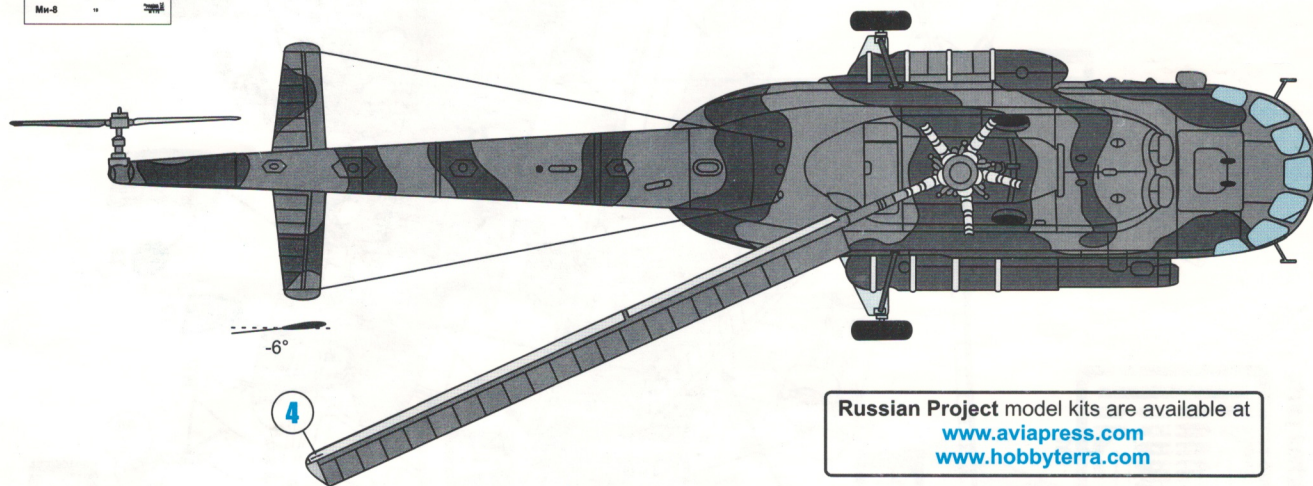
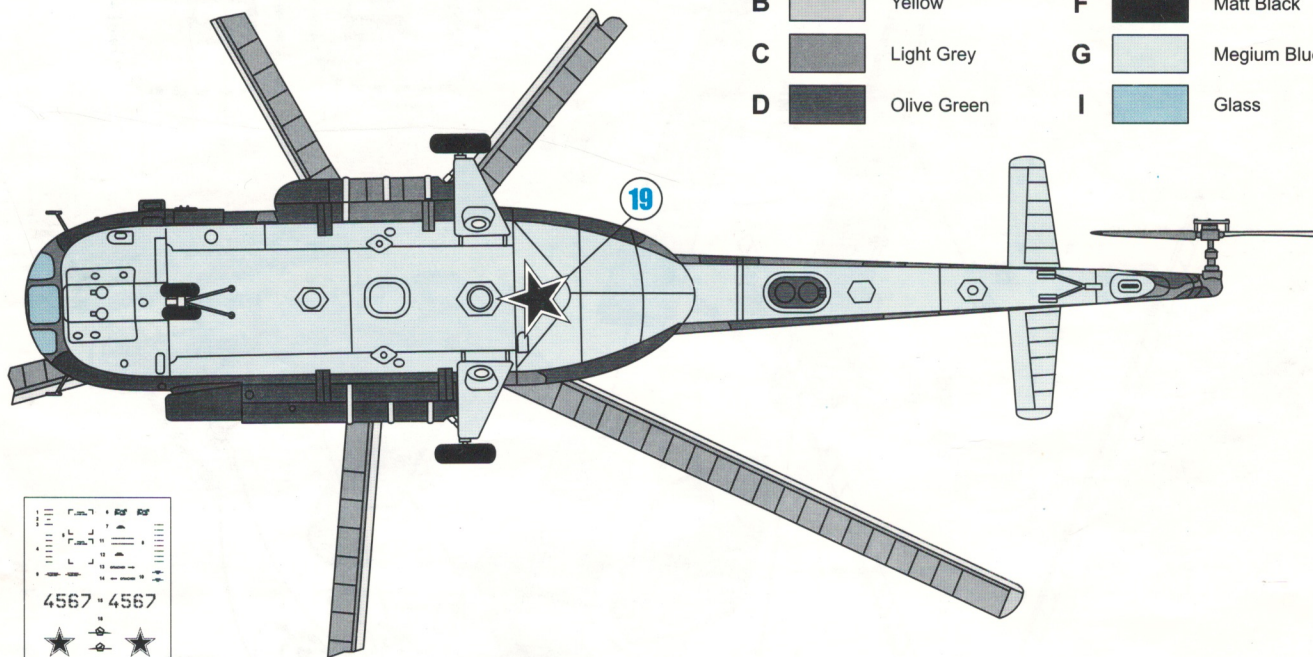
A**C****B****D****E****F****G****H**



Soviet AF Mil Mi-8MT



- | | | | | | |
|----------|--|--------------|----------|--|-------------|
| A | | Silver Steel | E | | Red |
| B | | Yellow | F | | Matt Black |
| C | | Light Grey | G | | Medium Blue |
| D | | Olive Green | I | | Glass |



Russian Project model kits are available at
www.aviapress.com
www.hobbyterra.com

