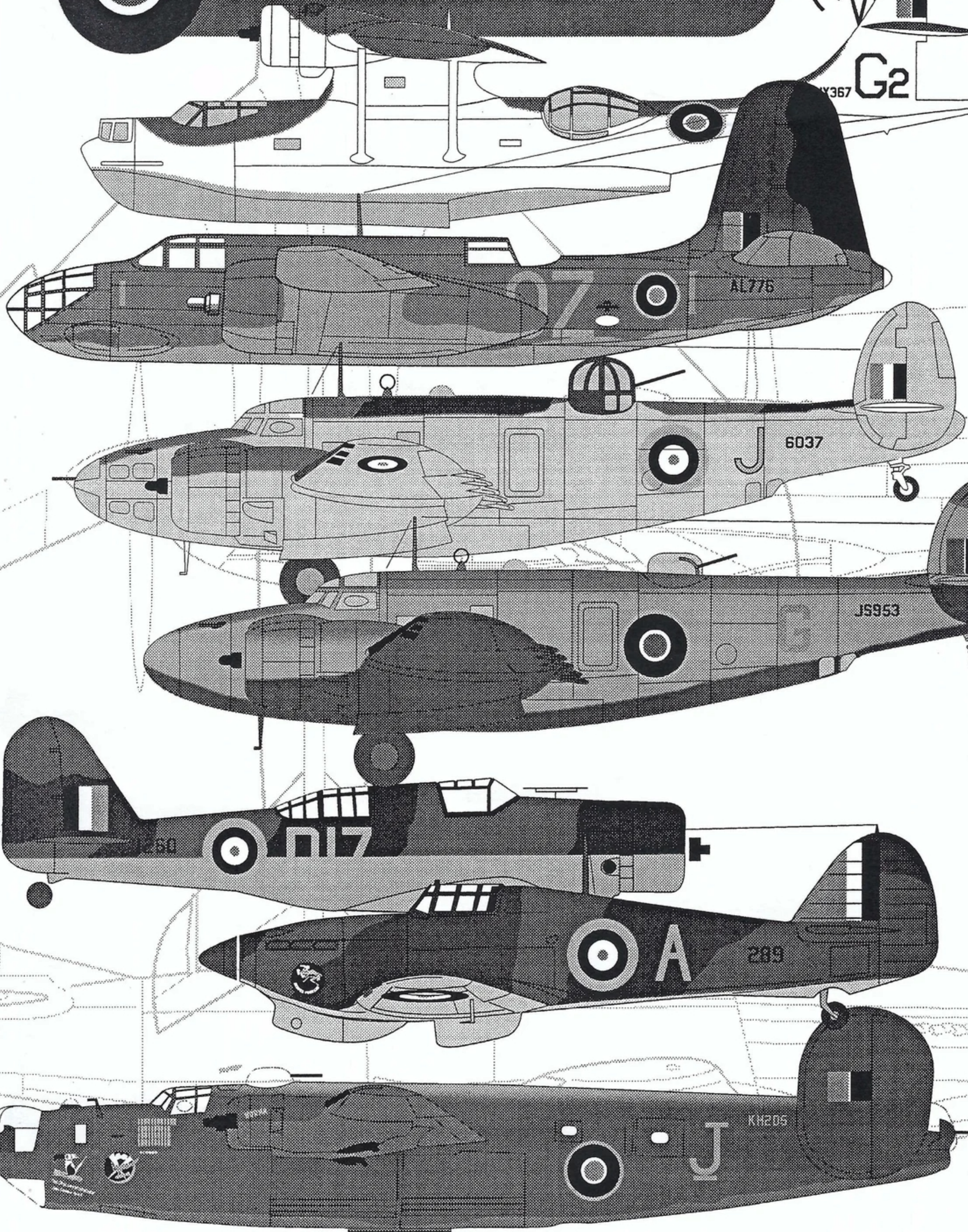


K7/13 SAAF: PBY-5 Catalina. Lockheed Ventura.
A-17A 'Northrop'. Douglas Boston.
Hawker Hurricane Mk.I. Liberator GR.IV

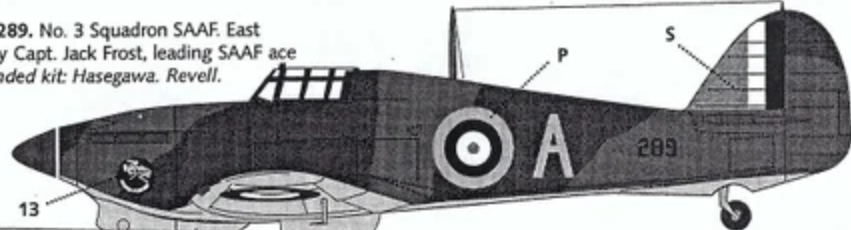


G2



Hurricane Mk.Ia. A/289. No. 3 Squadron SAAF. East Africa 1941 Flown by Capt. Jack Frost, leading SAAF ace of WWII. Recommended kit: Hasegawa. Revell.

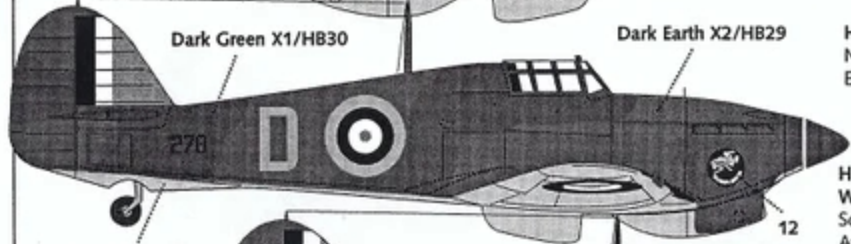
Spinners (Hamilton) Black



Dark Green X1/HB30

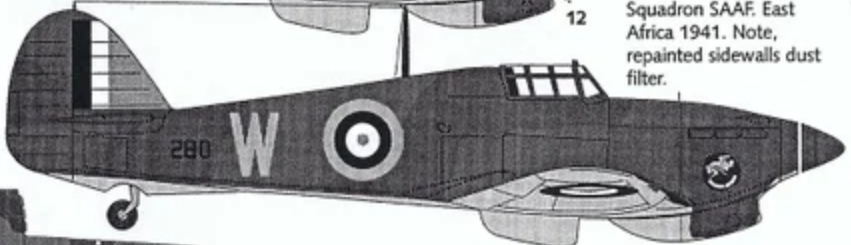
Dark Earth X2/HB29

Hurricane Mk.Ia. D/278. No. 3 Squadron SAAF. East Africa 1941



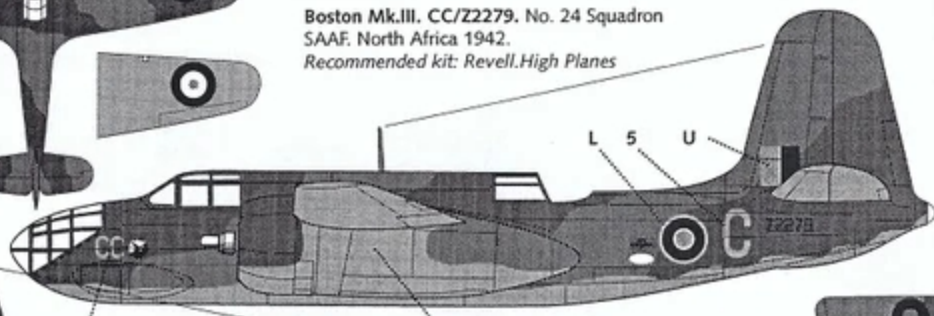
Sky Blue X160 FS35189/35190

Hurricane Mk.Ia. W/280. No. 3 Squadron SAAF. East Africa 1941. Note, repainted sidewalls dust filter.



Mid Stone X9/HB225

Boston Mk.III. CC/Z2279. No. 24 Squadron SAAF. North Africa 1942. Recommended kit: Revell. High Planes



Dark Earth X2/HB29

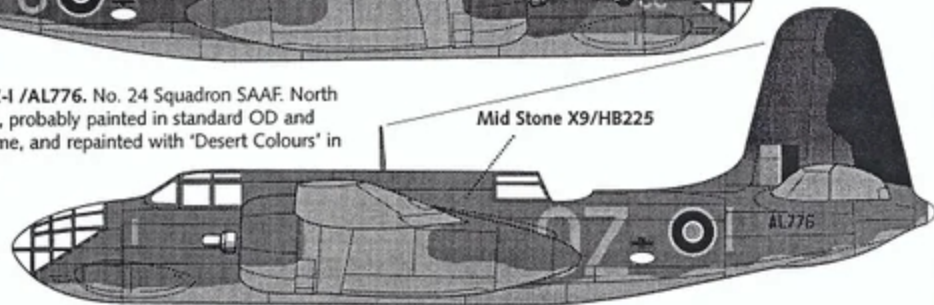
Azure Blue X26/HB157

Dark Earth X2/HB29

Mid Stone X9/HB225

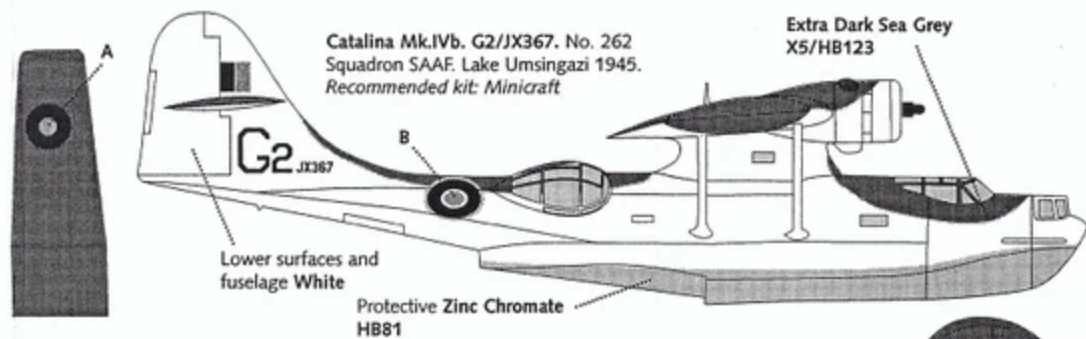
Boston Mk.III. OZ-1 /AL776. No. 24 Squadron SAAF. North Africa 1942. Note, probably painted in standard OD and Green USAF scheme, and repainted with 'Desert Colours' in an unknown pattern, part of the tail and fuselage in 'US Drab and Green'

Mid Stone X9/HB225



Catalina Mk.IVb. G2/JX367. No. 262 Squadron SAAF. Lake Umsingazi 1945. Recommended kit: Minicraft

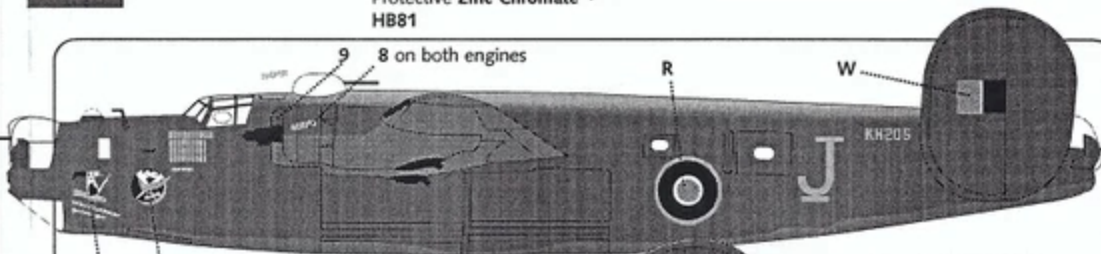
Extra Dark Sea Grey X5/HB123



Lower surfaces and fuselage White

Protective Zinc Chromate HB81

8 on both engines



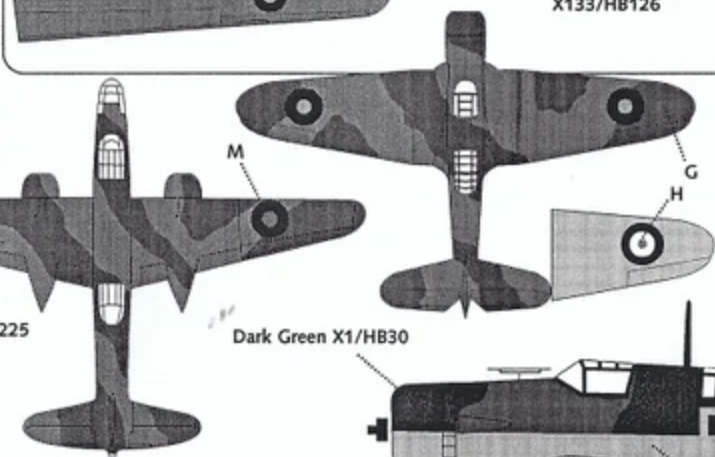
11 10

Liberator GR Mk.IV. J/KH205. No. 31 Squadron SAAF. Celone Foggia Italie 1944-'45. Recommended kit: Minicraft. Note, very faded Olive Drab on upper surfaces fuselage and wings

Olive Drab X112/113 HB66/155



Neutral Gray X133/HB126



Dark Green X1/HB30

Dark Earth X2/HB29

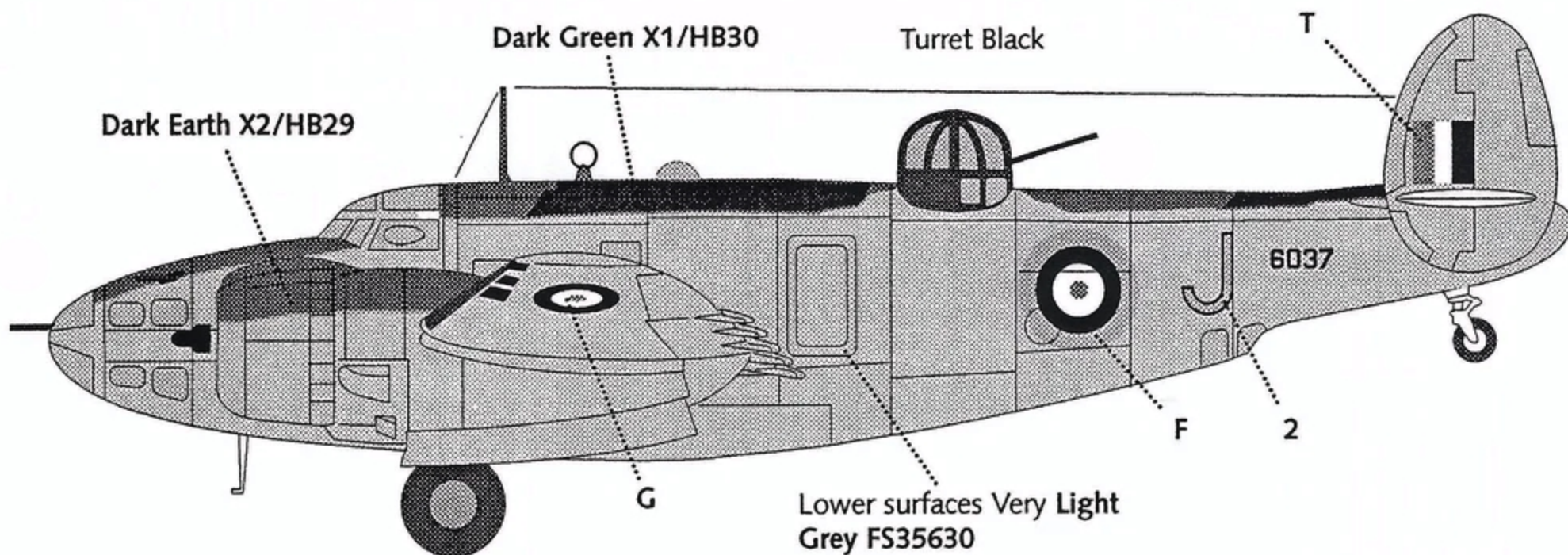


'Norma' and 'Dorothy' on both engines, probably more names on other engines?

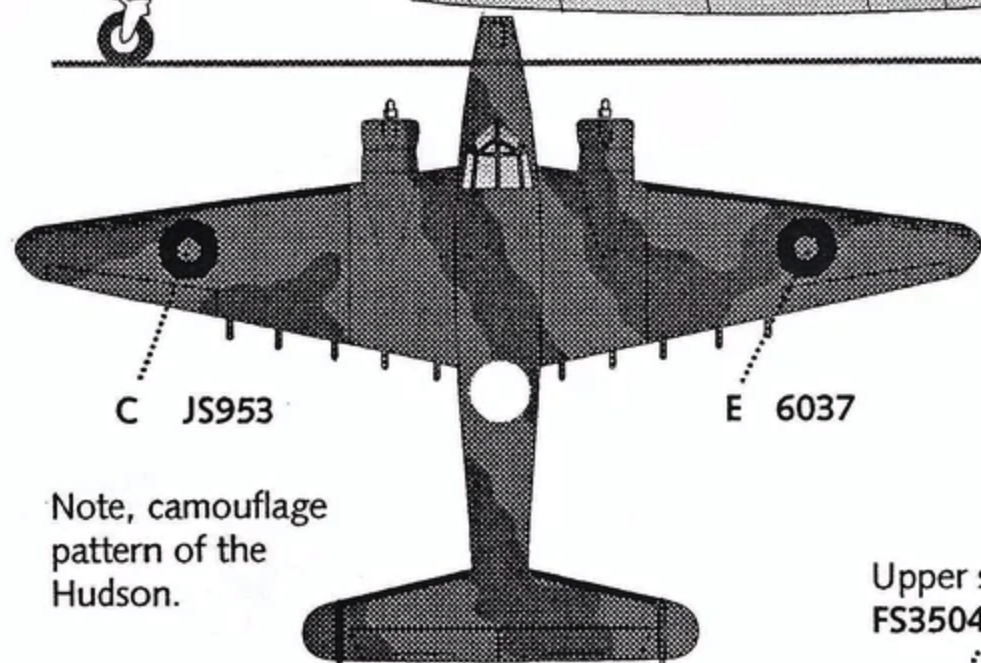
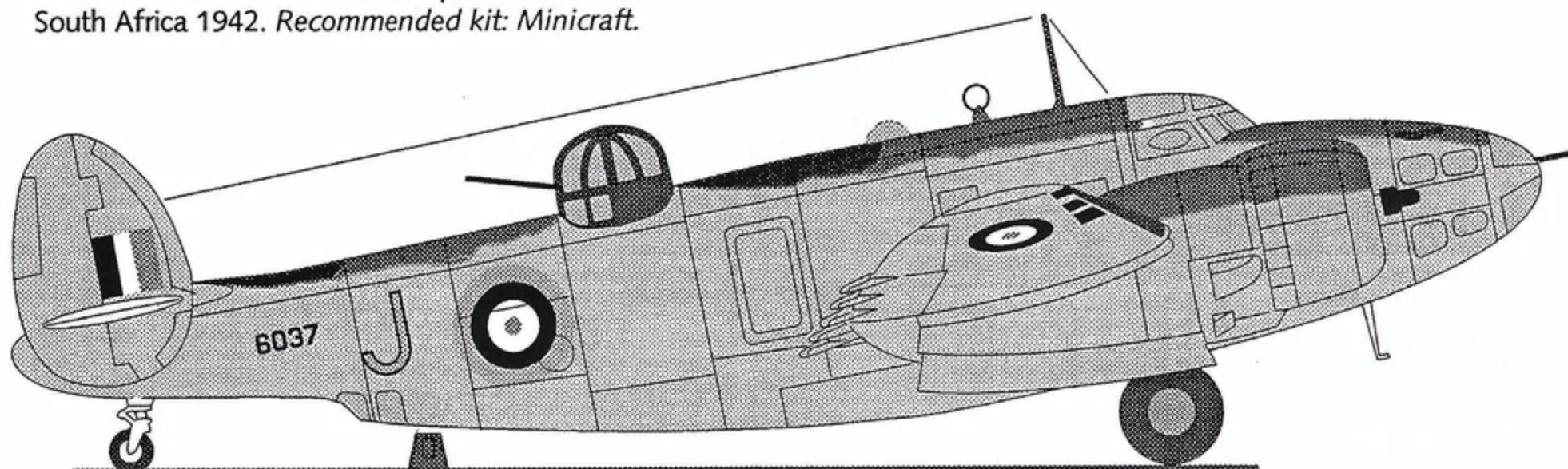
Trainer Yellow X11/HB154



A-17A 'Northrop'. D17/1260. 'B' Flight 42 Air School Port Elizabeth SAAF. 1942. Recommended kit: MPM.



B-34 Ventura. J/8037. No. 25 Squadron SAAF. Port Elizabeth South Africa 1942. *Recommended kit: Minicraft.*

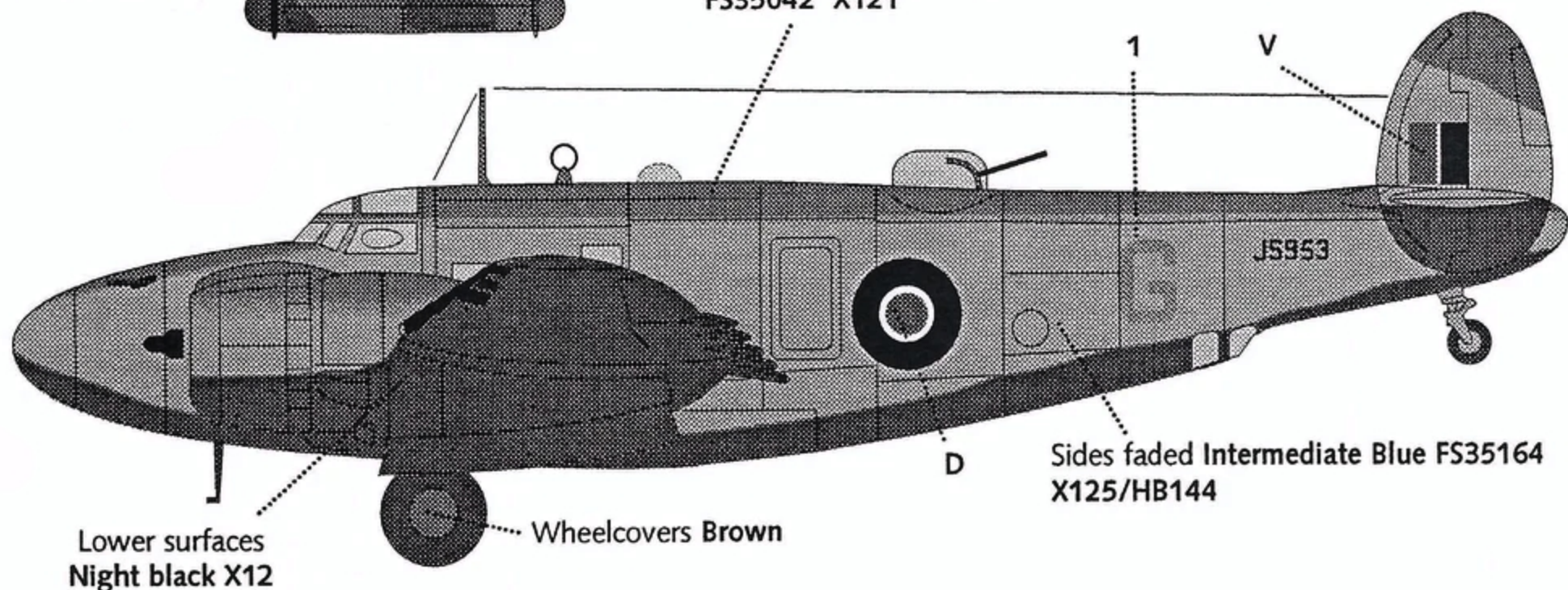


Note, camouflage pattern of the Hudson.

PV-1 Ventura. G/JS953. No. 17 Squadron SAAF. Port Elizabeth South Africa 1945. *Recommended kit: Minicraft.*

Note, this a/c retained his RAF serial and markings, painted in the three-tone US Navy scheme with black lower surfaces.

Upper surfaces Non-spec Sea Blue FS35042 X121



Note. decals are very thin. Put them in lukewarm water for only a few seconds. Always apply on a glossy surface.

KITSATWAR KERKSTRAAT 2 2471 AP ZWAMMERDAM THE NETHERLANDS
TEL.FAX 0031 (0)172 615372 2004©K7/13

e-mail: info@dutchdecal.demon.nl website: www.dutchdecal.nl