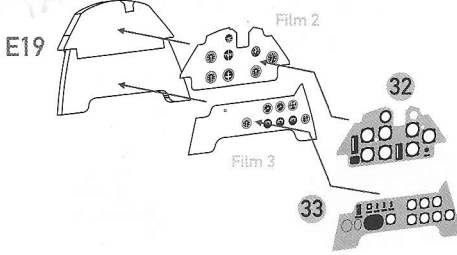


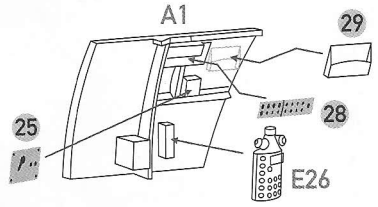


# ASSEMBLY INSTRUCTION

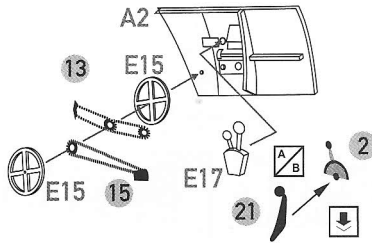
1



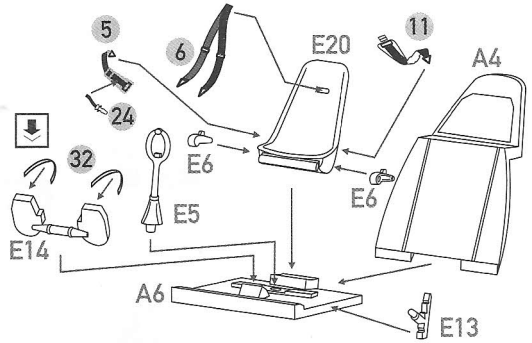
2



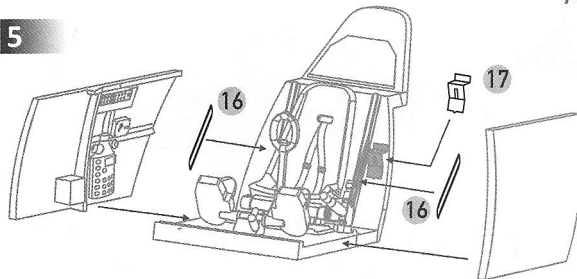
3



4

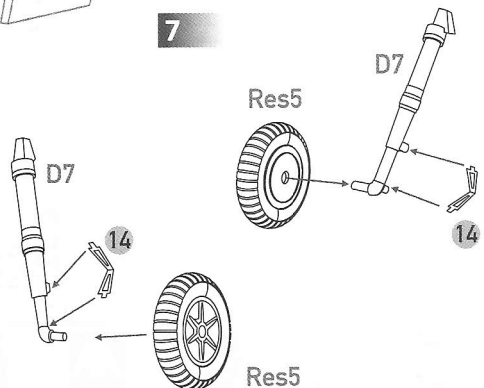
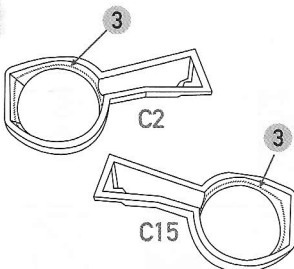


5

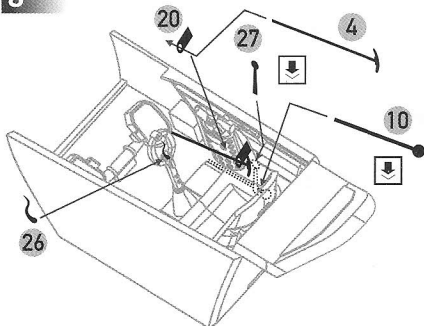


7

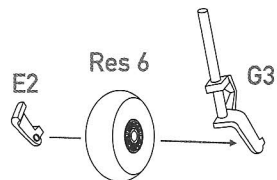
6



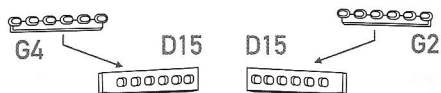
8



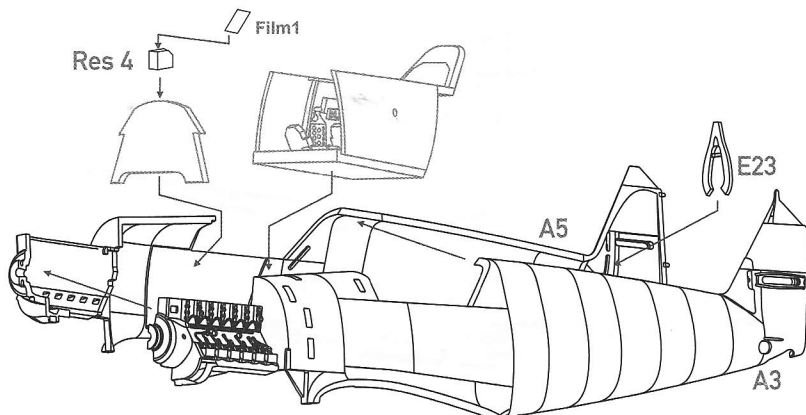
9



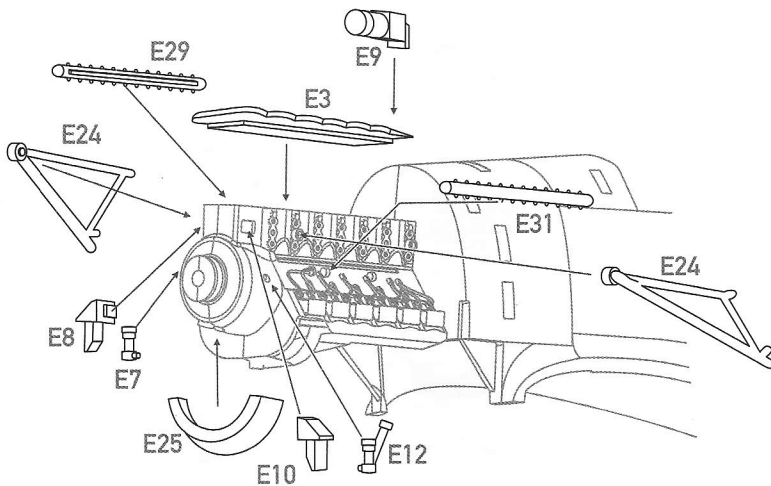
10



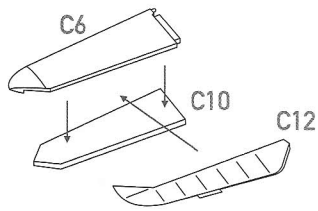
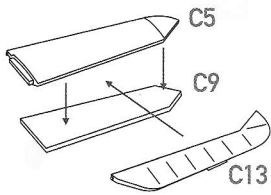
11



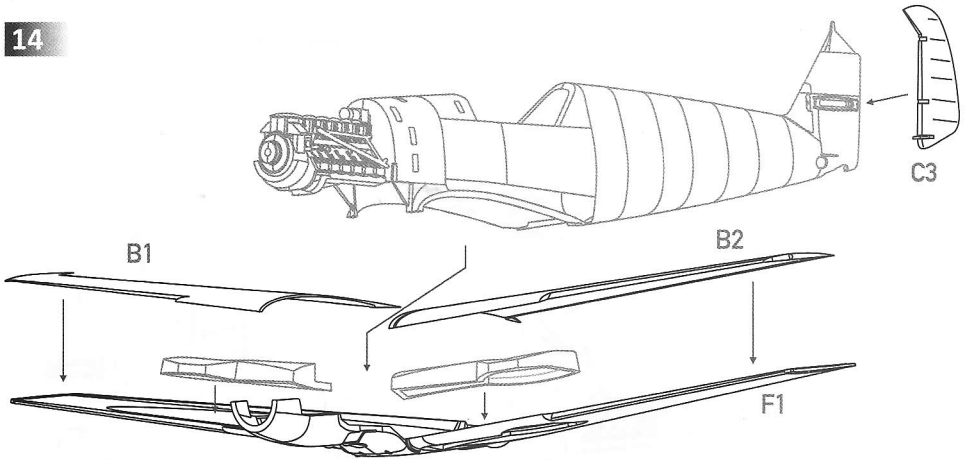
12



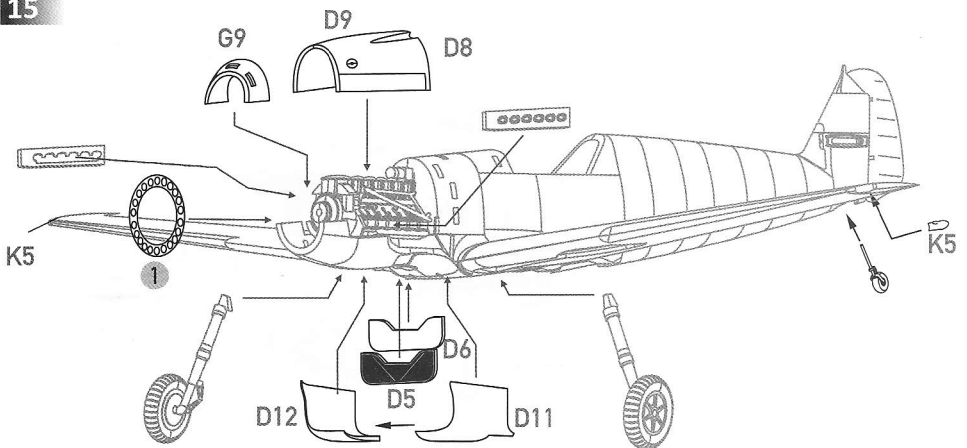
13

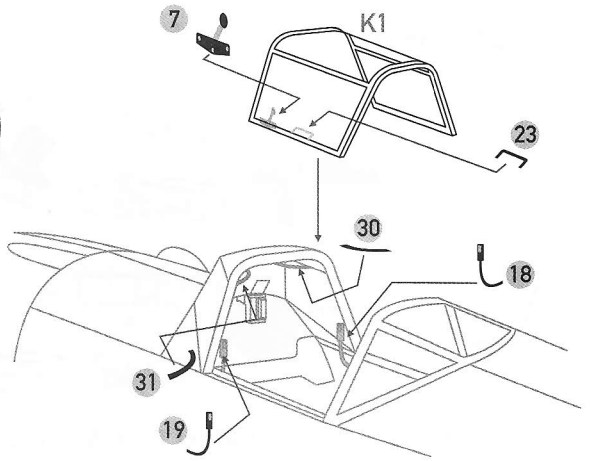
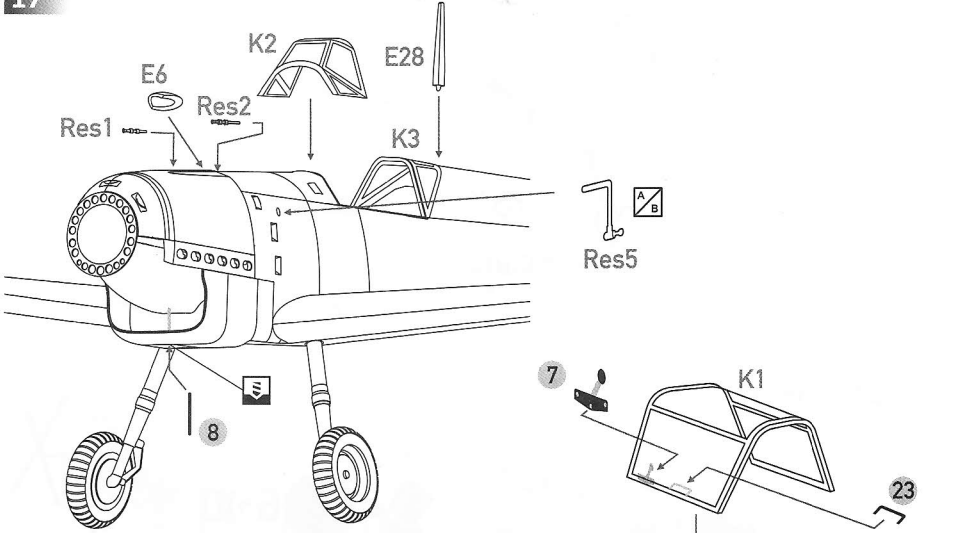
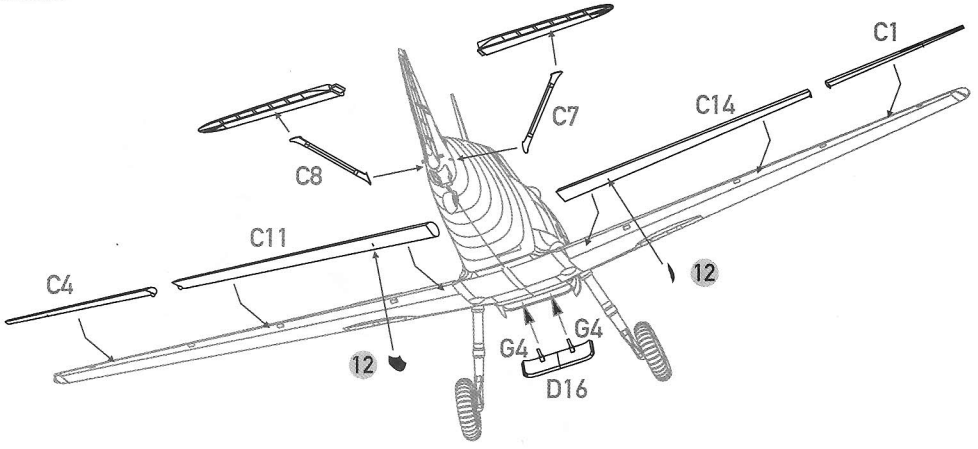


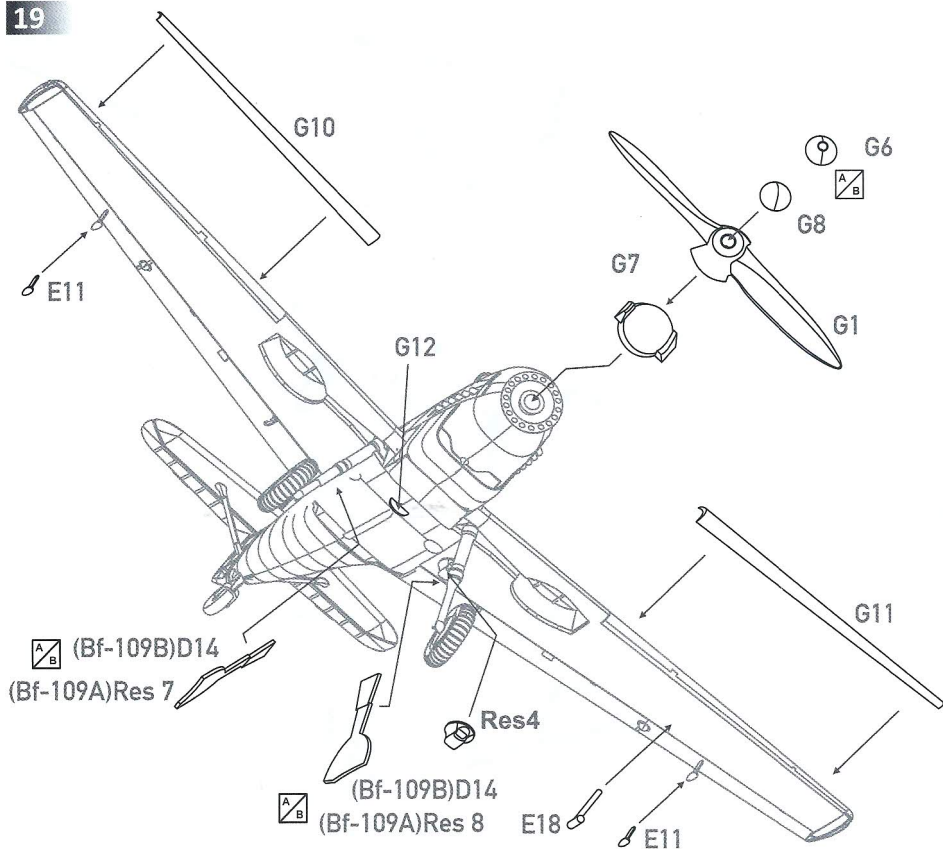
14



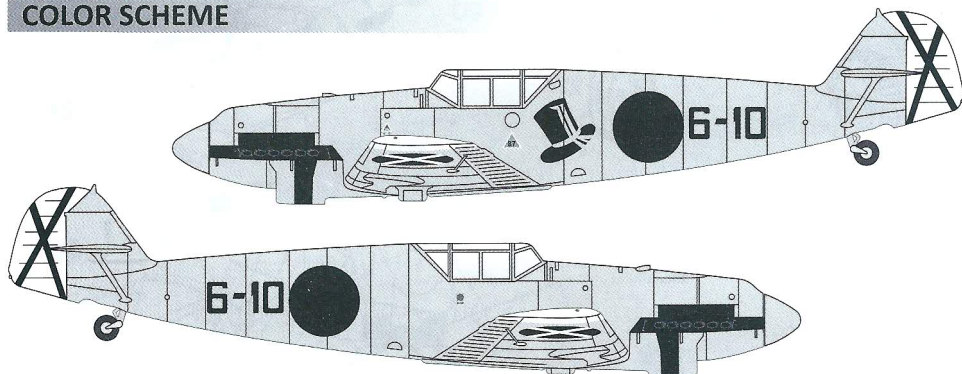
15





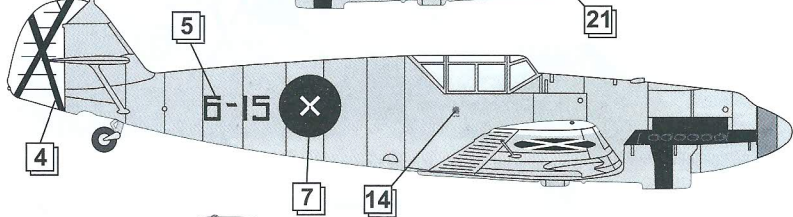
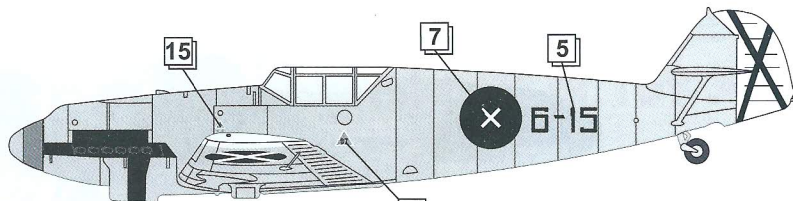


## COLOR SCHEME

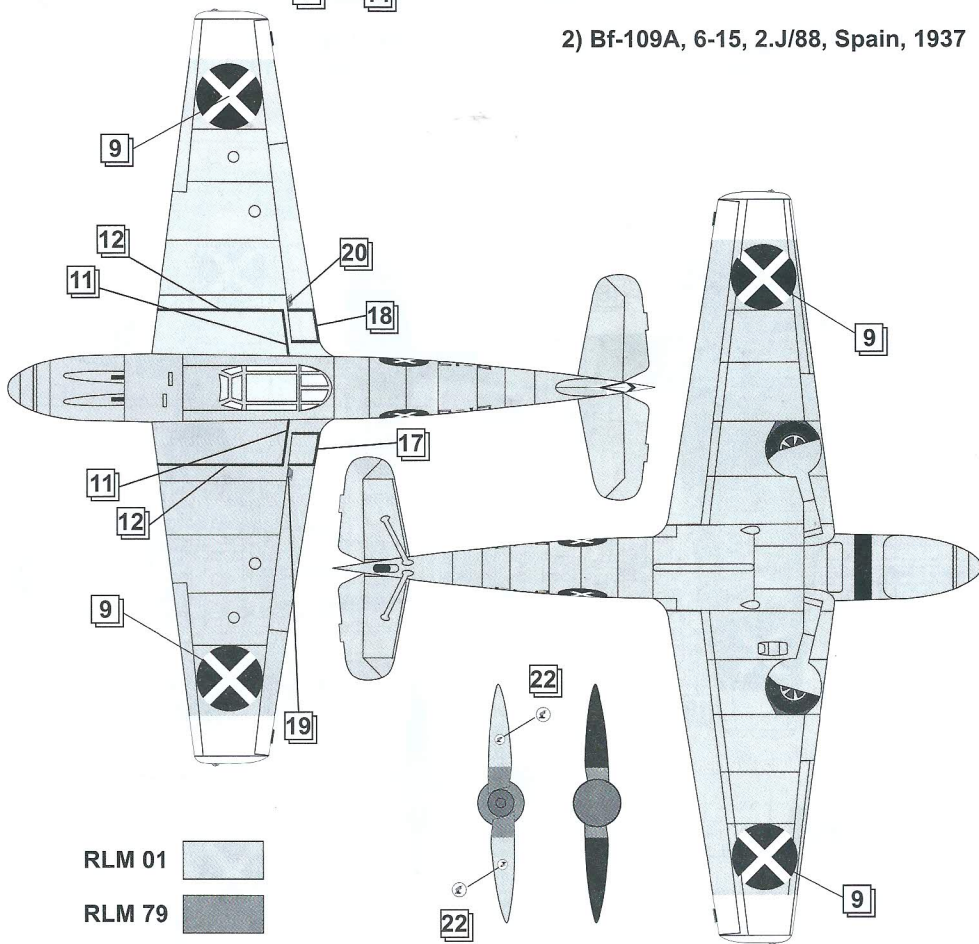


1) Bf-109A, 6-10, 2./J/88, Unteroffizier Ernst Mratzek, Spain, march 1937

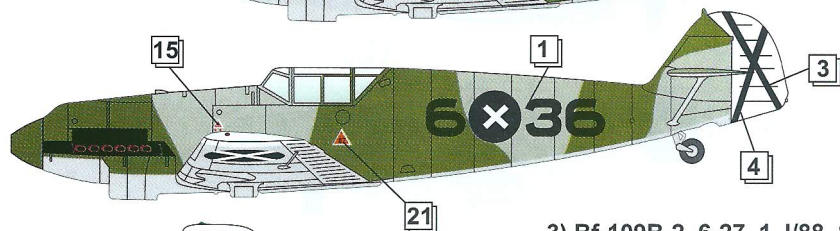
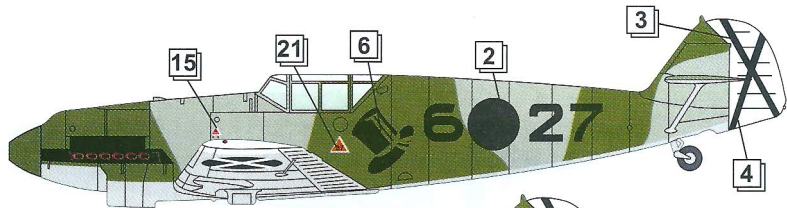




2) Bf-109A, 6-15, 2.J/88, Spain, 1937

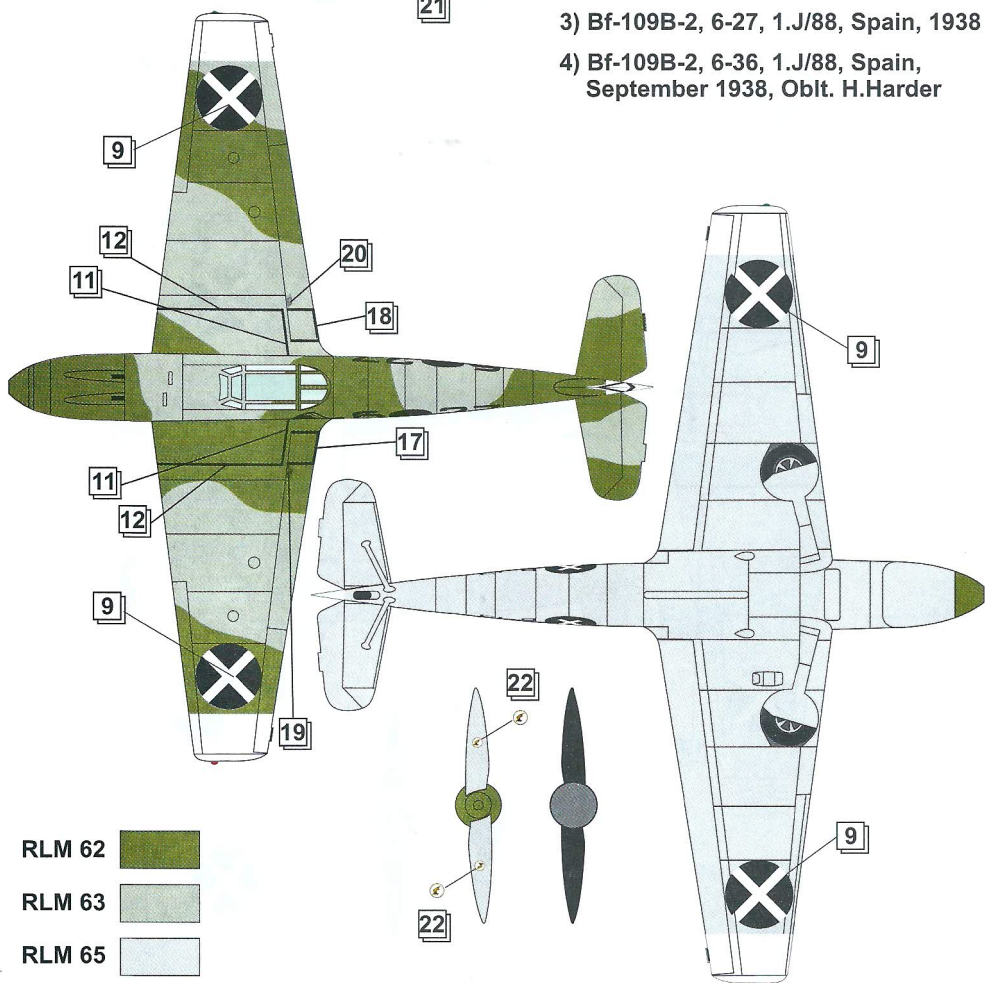


RLM 01   
 RLM 79



3) Bf-109B-2, 6-27, 1.J/88, Spain, 1938

4) Bf-109B-2, 6-36, 1.J/88, Spain,  
September 1938, Oblt. H.Harder



RLM 62

RLM 63

RLM 65