

GERMAN COMMAND TANK

kl. pz. bef. wg. I b



SPECIFICATION

GENERAL

CREW: 3 MEN
BATTLE WEIGHT: 6.2 TONS
GROUND PRESSURE: 6.2 LBS/SQ.IN.

1/72 SCALE

DIMENSIONS

LENGTH: 14.7 FT.
HEIGHT: 5.8 FT.
WIDTH: 6.10 FT.
WIDTH OF TRACK: 11 IN.
GROUND CLEARANCE: 11.6 IN.

KIT 8041

ARMAMENT

ONE 7.9 MM. MG. 34

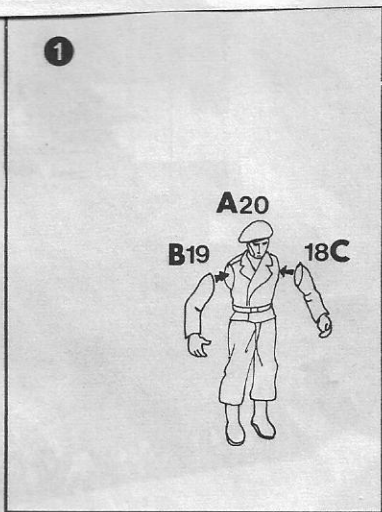
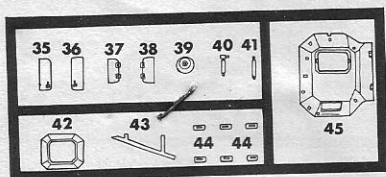
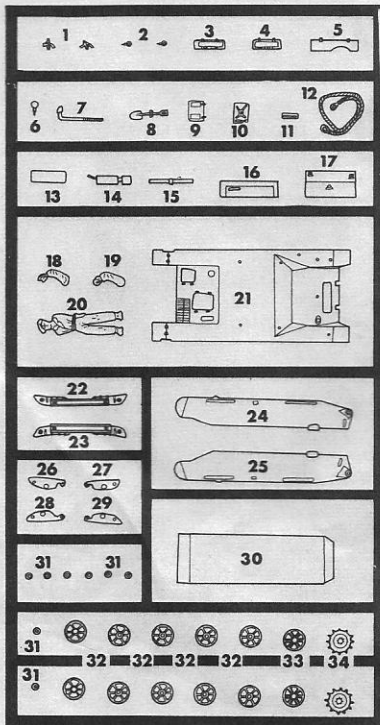
ENGINE

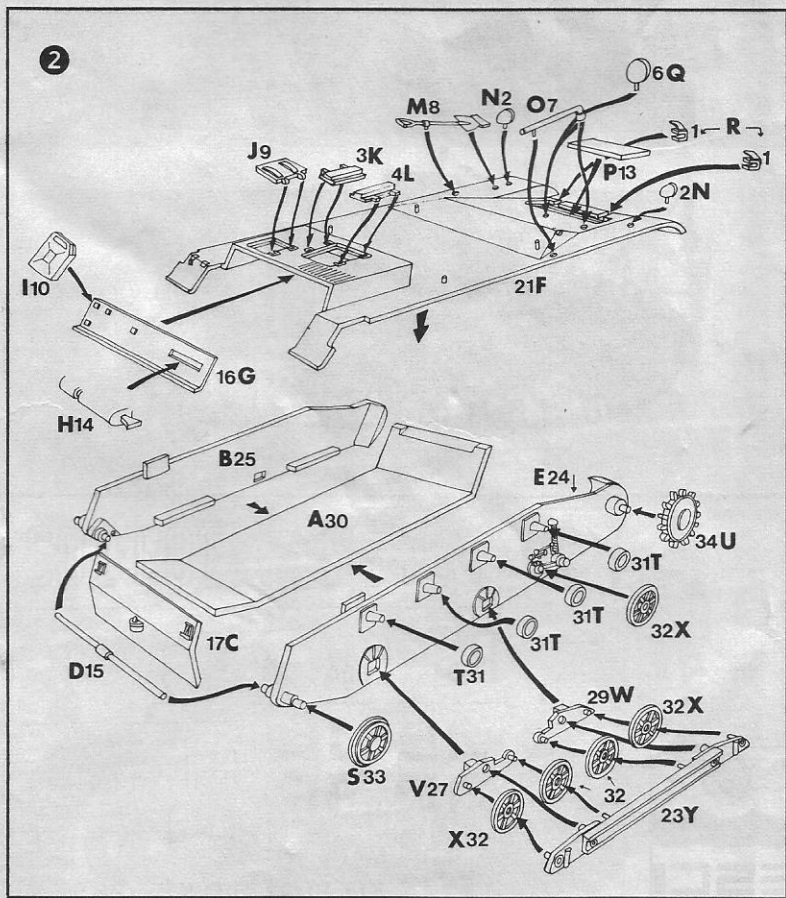
NL 38TR MAYBACH, 100 HP AT 3,000 RPM, 6 CYLINDERS IN-LINE,
LIQUID-COOLED, COMPRESSION RATIO 6.7:1

PERFORMANCE

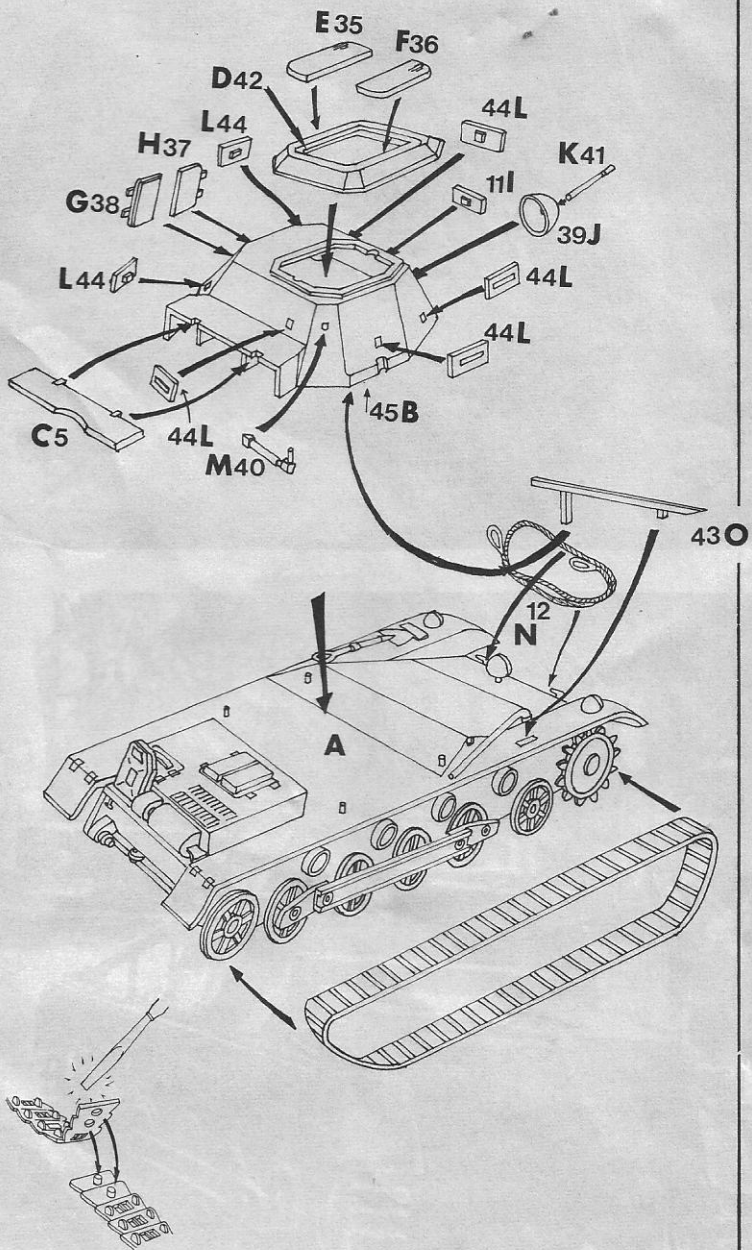
SPEED: 25 MPH ON ROAD
CLIMBING ABILITY: 30° (57%) SLOPE
TRENCH CROSSING ABILITY: 4.6 FT.
FORDING DEPTH: 23.6 IN.
FUEL CAPACITY: 39 GAL. (22 GAL. IN FORWARD
TANK; 17 GAL. REAR TANK)
RADIUS OF ACTIVITY: 105 MILES ON ROAD;
71 MILES CROSS-COUNTRY

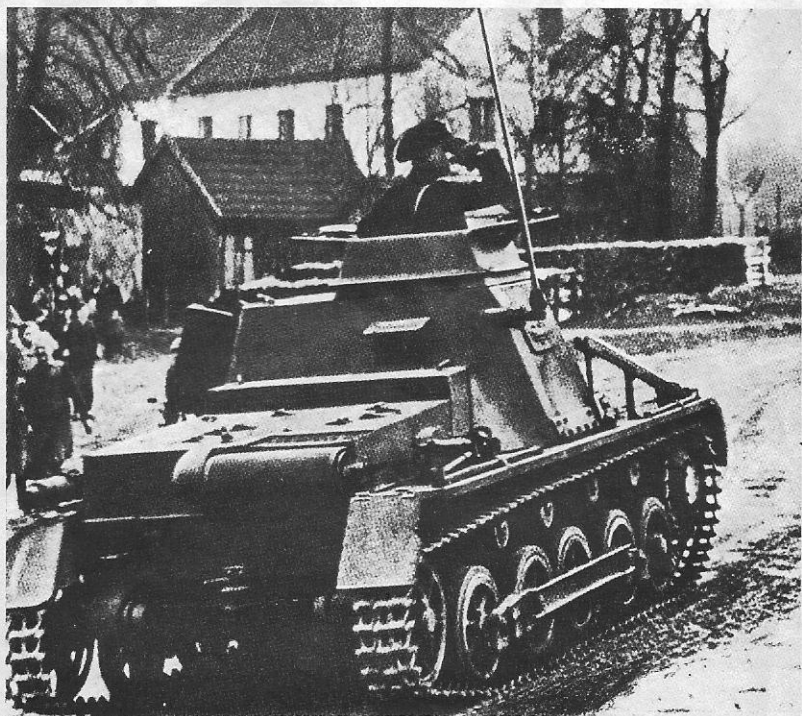


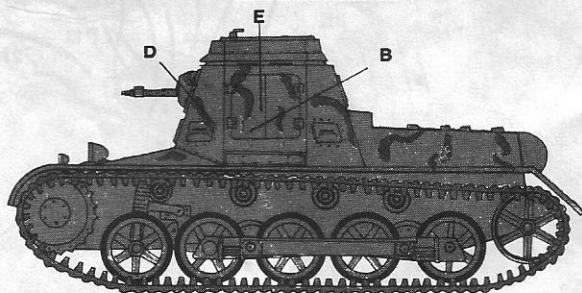
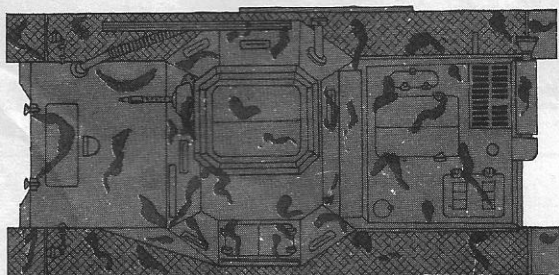
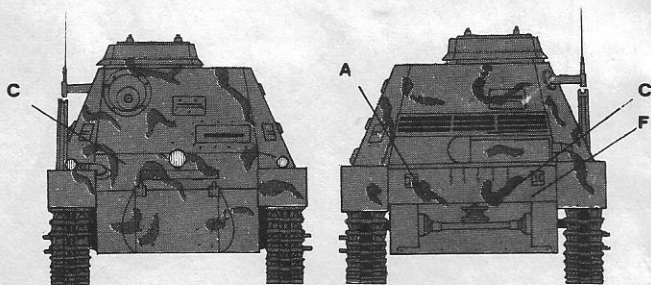




3







A C F
 + D D I I I I03^EI03

R₀₄^E R₀₄ + I I D I

+ B + A Y^C Y^A + + +



MADE IN ITALY

Kit. 8041 S.D.KFZ 265

MADE IN ITALY