

# BRITISH Quad Gun Tractor



CANADIAN MILITARY PATTERN FIELD ARTILLERY TRACTOR 4x4 101 IN. W.B.

## SPECIFICATION

### GENERAL - DIMENSIONS

#### FORD

**CREW:** 6. A DRIVER, MATE, FOUR SERVANTS FOR THE 18/25 GUN.

**ENGINE:** MERCURY V8 PETROL ENGINE, BORE 3.19 IN., STROKE 3 3/4 IN., RAC RATING 32.5 HP.

**TRACK FRONT:** 5 FT. 8 1/4 IN.

**TRACK REAR:** 5 FT. 9 IN.

**TURNING CIRCLE:** 46 FT. 9 IN.

**TURNING CIRCLE:** 46 FT.

**GROUND CLEARANCE - REAR AXLE** 10 1/2 IN.

**OVERALL LENGTH:** 14 FT. 9 IN.

**OVERALL WIDTH:** 7 FT. 6 IN.

**GROSS WEIGHT - UNLADEN:** 3 TON 19 1/4 CWT.

**GROSS WEIGHT - LADEN:** 5 TON 6 1/4 CWT.

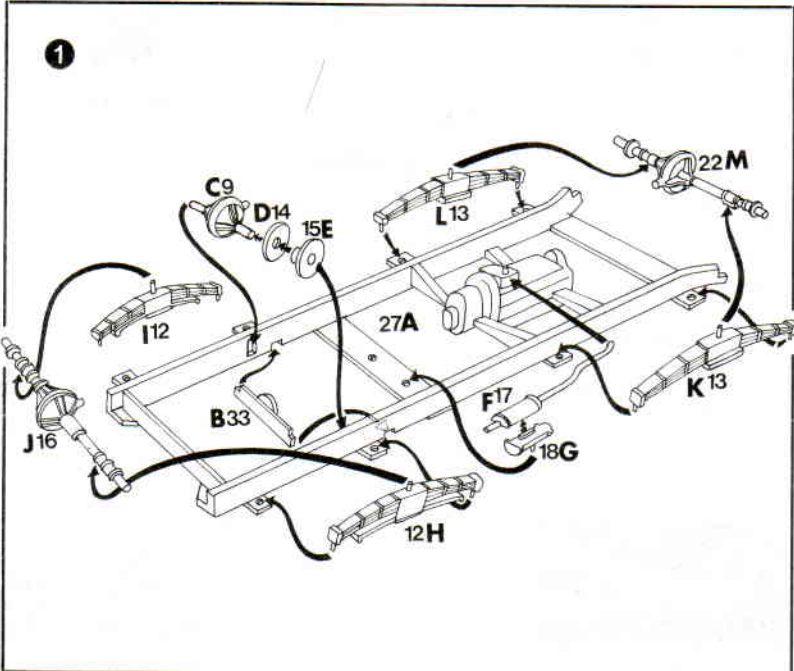
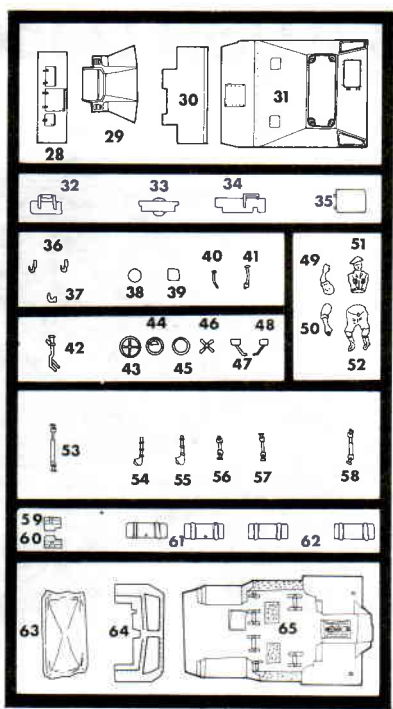
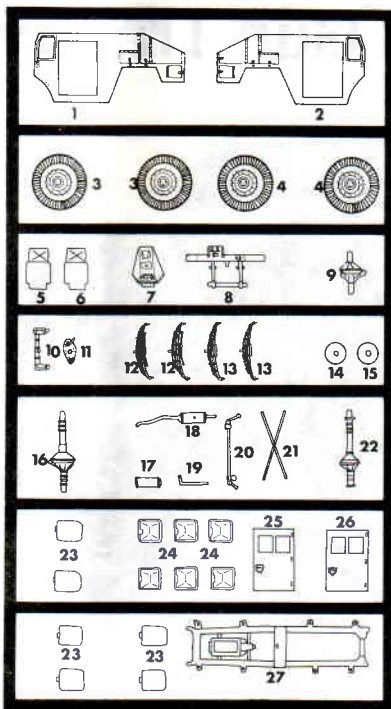
**1/72 SCALE**

**H-2342**

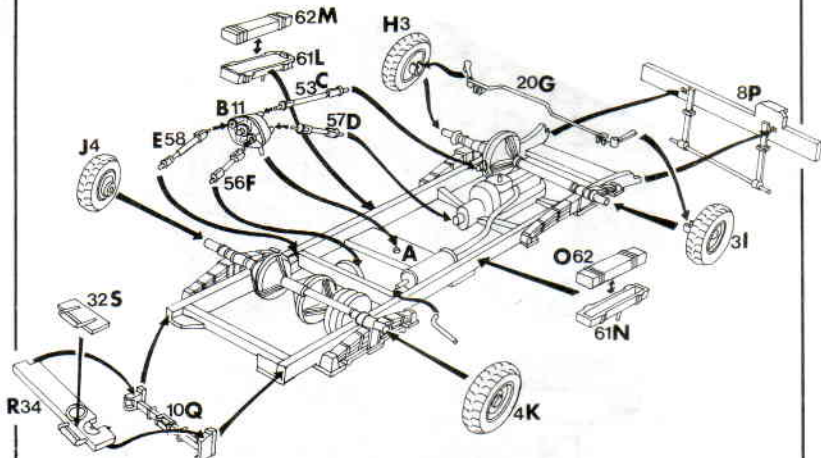


**ESCI-MODELL**

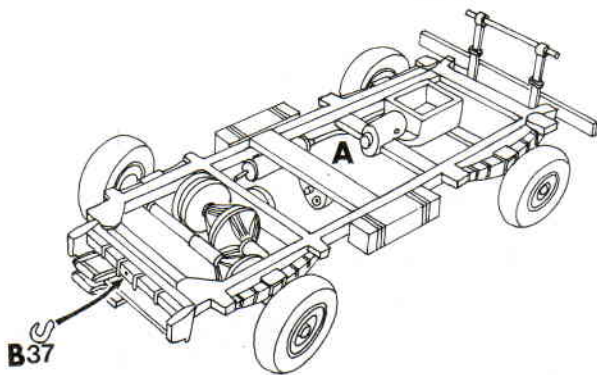
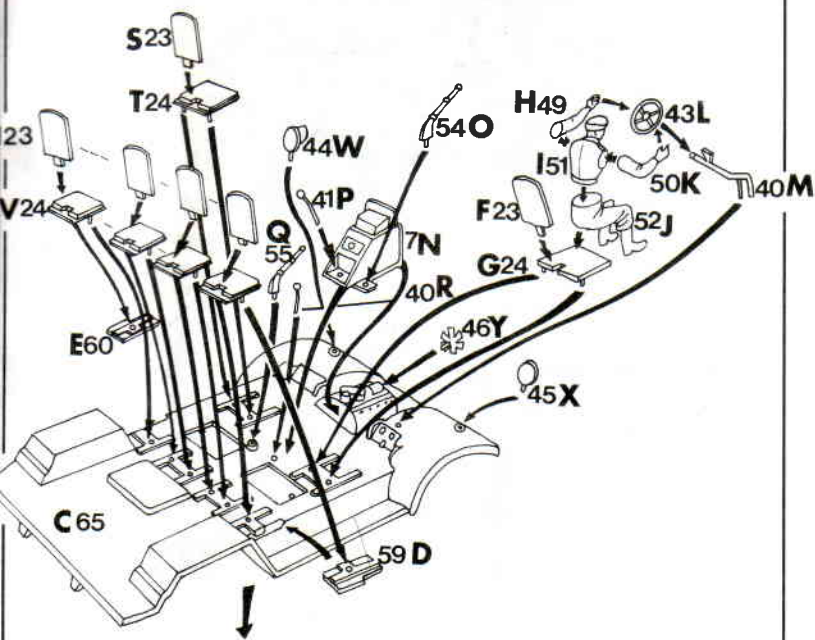
THE BEETLE-BACKED DESIGN OF THE MORRIS C8 4x4 FIELD ARTILLERY TRACTORS WAS REPEATED IN THE EARLY VERSIONS OF THE STANDARD CANADIAN MILITARY PATTERN TRACTORS BUILT ON CHEVROLET AND FORD CHASSIS. THE ORIGINAL CHASSIS, THE ORIGINAL TYPE, DESIGNATED 60441-M-FAT-1 WAS FITTED WITH A SOLID STEEL ROOF WITH A HATCH OVER THE DRIVERS MATE'S SEAT FOR OBSERVATION. THE NEXT MODEL, 60441-M-FAT-2, WAS IDENTICAL BUT HAD A 2 FT. x 5 FT. CANVAS COVERED OPENING IN THE ROOF.



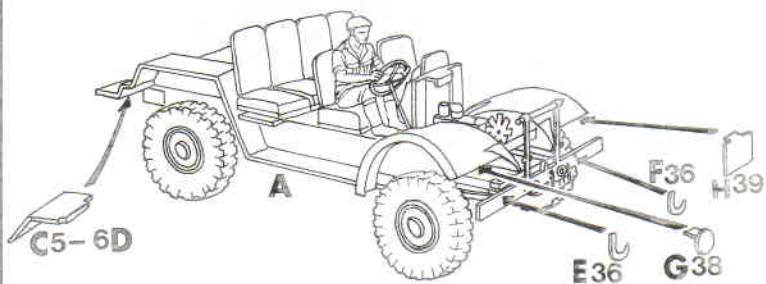
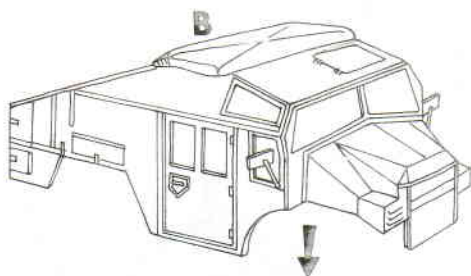
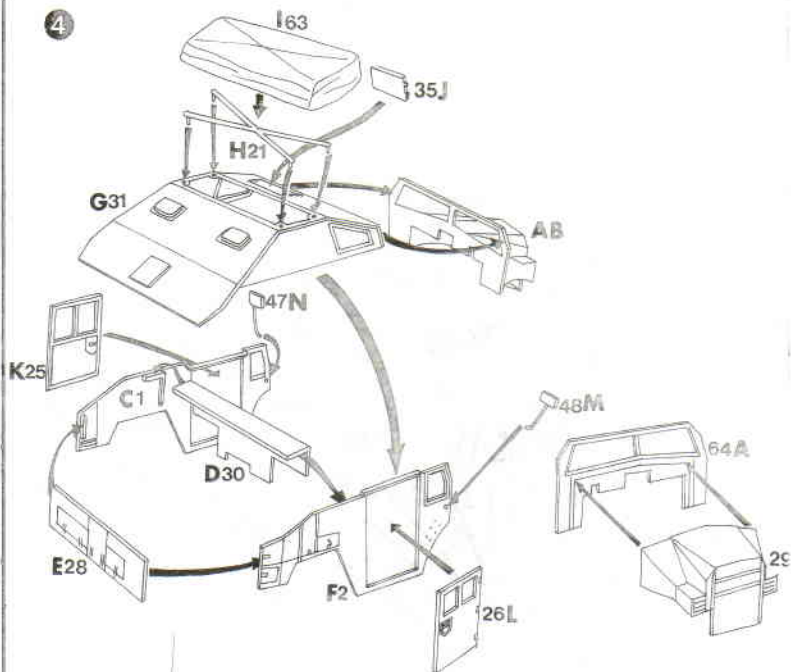
2

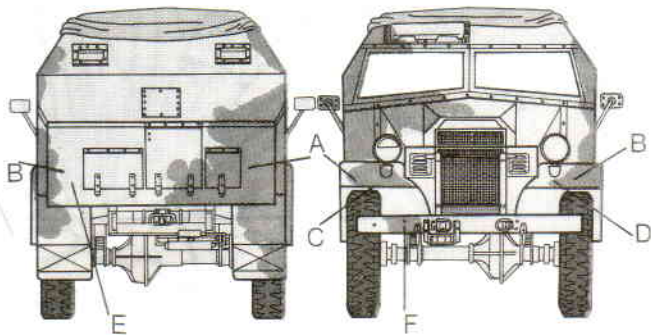
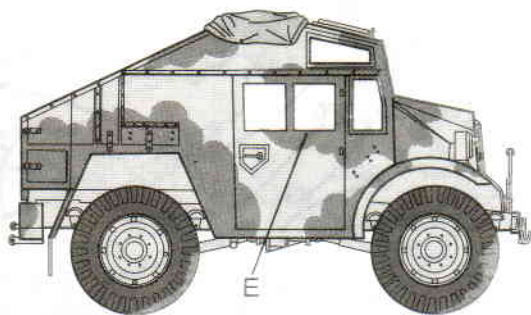


3



4





A A B B C D

L 2918403 E L 2918403 E 13WD F

A A B B C

L 5138453 L 5138453 15W9

E E F

A A B B E E

14W11  
 C D E F

QUAD GUN TRACTOR



ESCI-MODELL