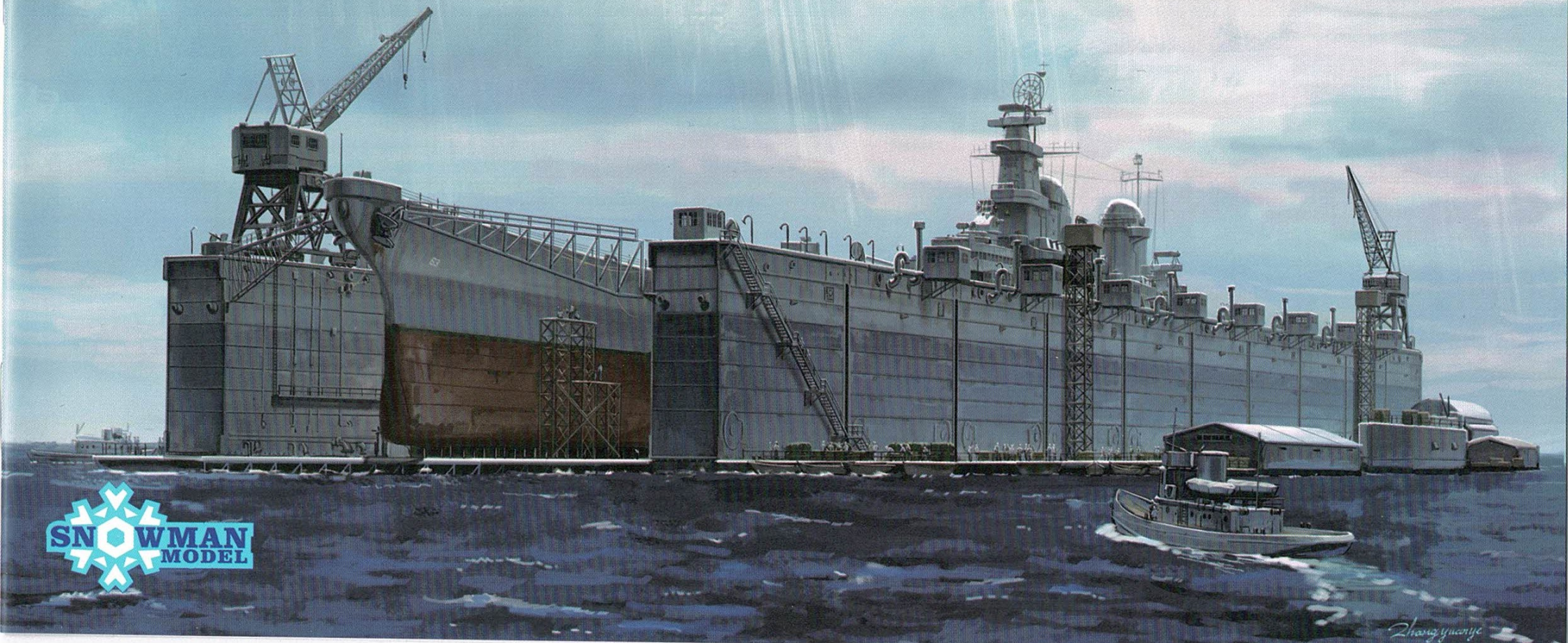


USS ABSD-1 LARGE AUXILIARY FLOATING DRY DOCK

1/700
SP-7051



Zhangyuan

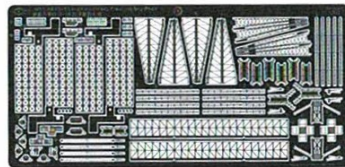
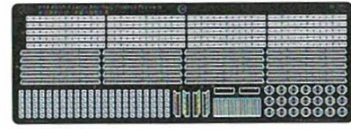
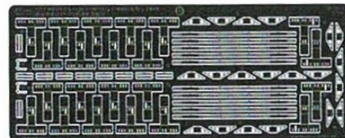
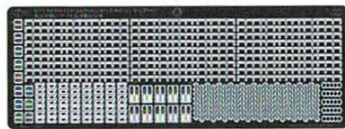
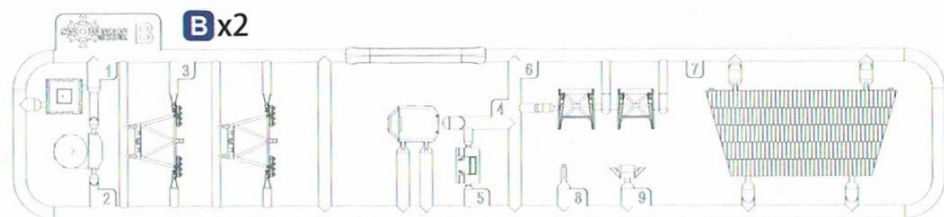
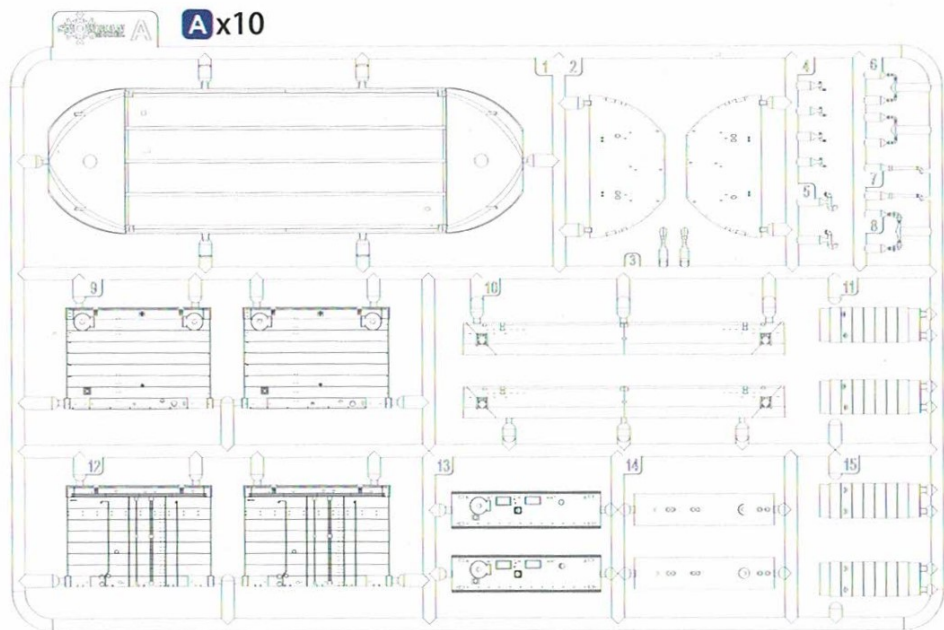
- | | | | | | |
|---|---|--|---|--|---|
|  Bend
彎折 |  Instant glue
瞬間接著劑 |  Remove
切除 |  Drill hole
鑽孔 |  Caution
注意 |  Replace
替換 |
|  Roll
彎曲 |  Do not cement
無需粘接 |  Make N pcs
製作N組 |  Fill up
填補 |  Optional
選擇 |  Repeat on opposite side
對側相同製作 |

製作必讀

- 組裝前請仔細閱讀說明書，並按照說明書步驟進行製作。
- 膠水、油漆及工具勿讓小孩接觸。
- 請勿吞食產品包裝中的物品，請勿將包裝袋置於口鼻處或套在頭上，以免引起窒息。
- 膠水及油漆勿接觸火種。
- 如需塗裝請在通風環境下進行，並按照塗裝的注意事項操作。
- 將所需貼紙剪下後置於清水中15-20s後取出，置於正確位置，等待其乾透後即完成。

Read carefully before assembling

- Read carefully and fully understand the instructions before assembling
- Keep glue and tools away from children.
- Don't swallow any items in the package, don't put vinyl bags near your mouth, nose or on your head.
- Keep this product from fire or high temperature.
- Please paint in a ventilate environment, and follow painting guide.
- Cut out the decals and dip them in water for 15-20s. Apply decals to certain place as guided. Wait till decals dry out.



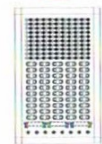
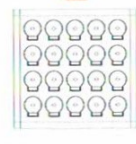
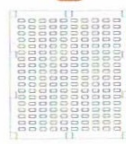
C x4

D

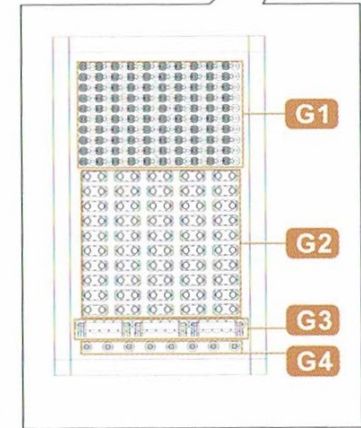
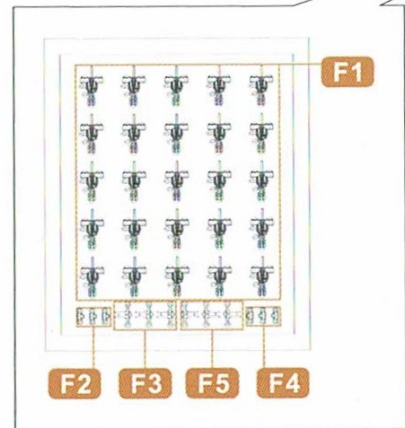
E

F

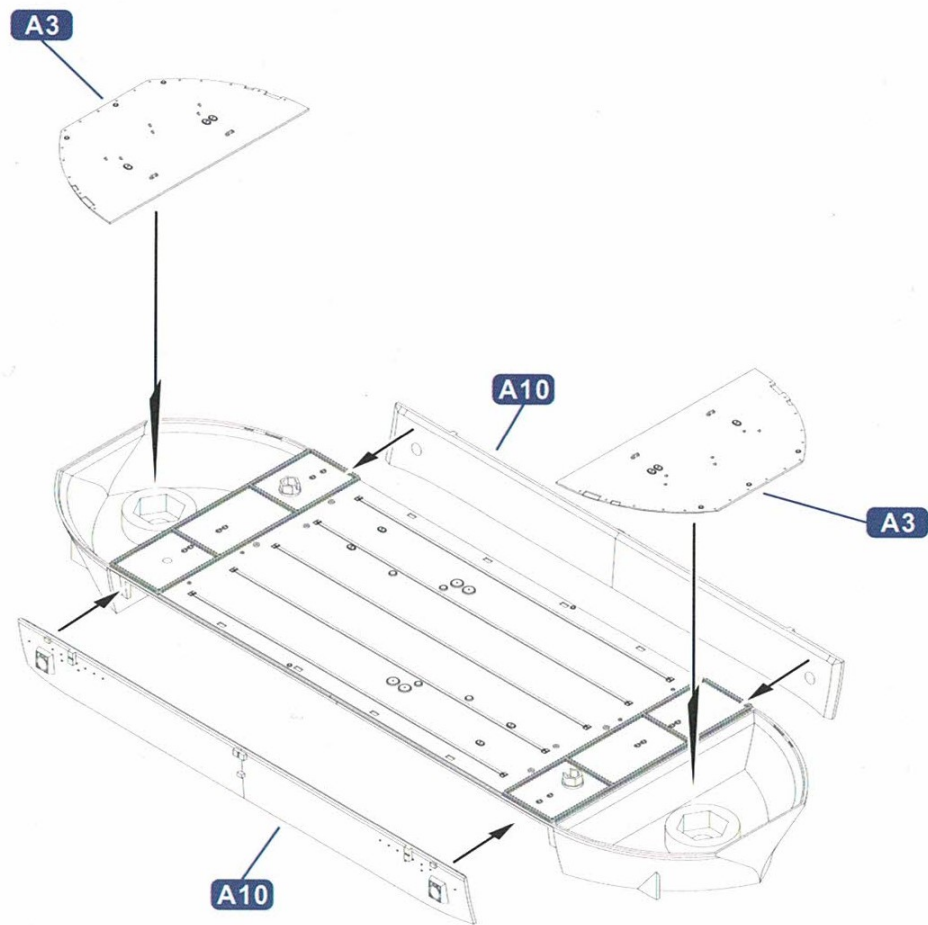
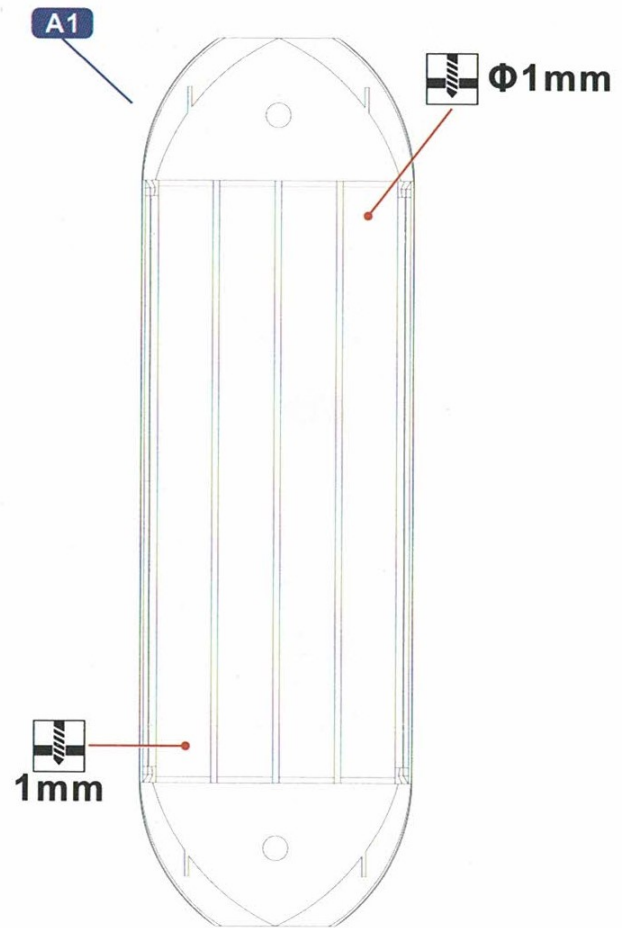
G



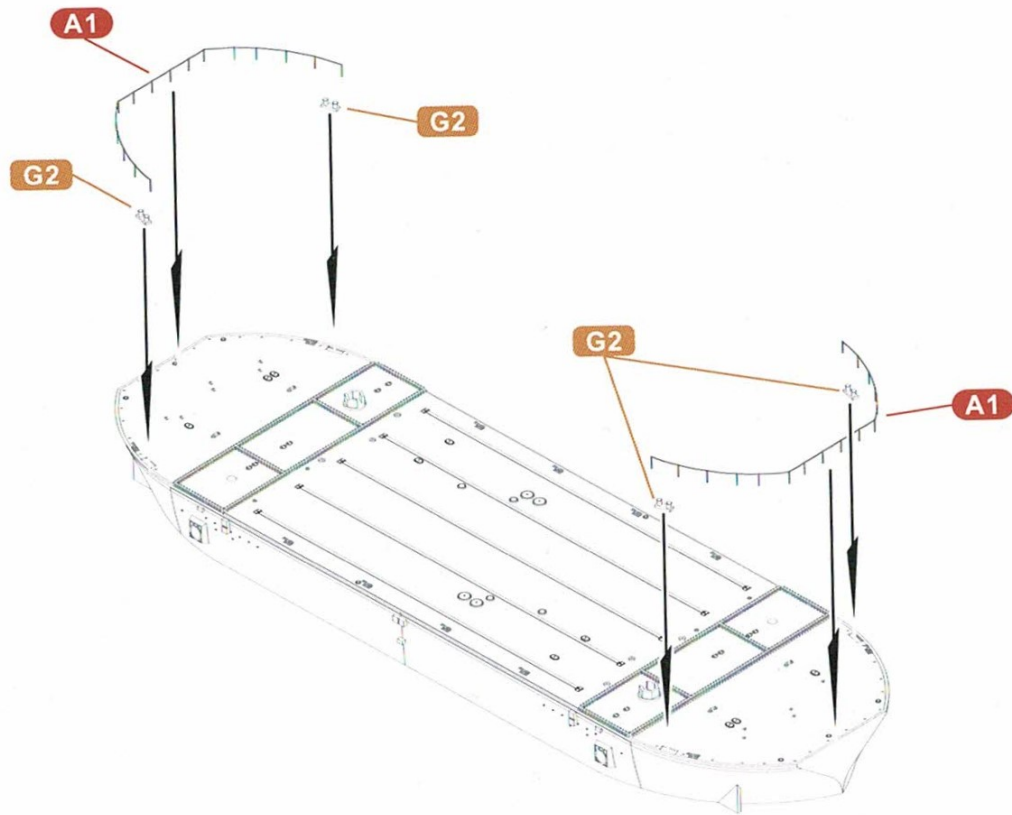
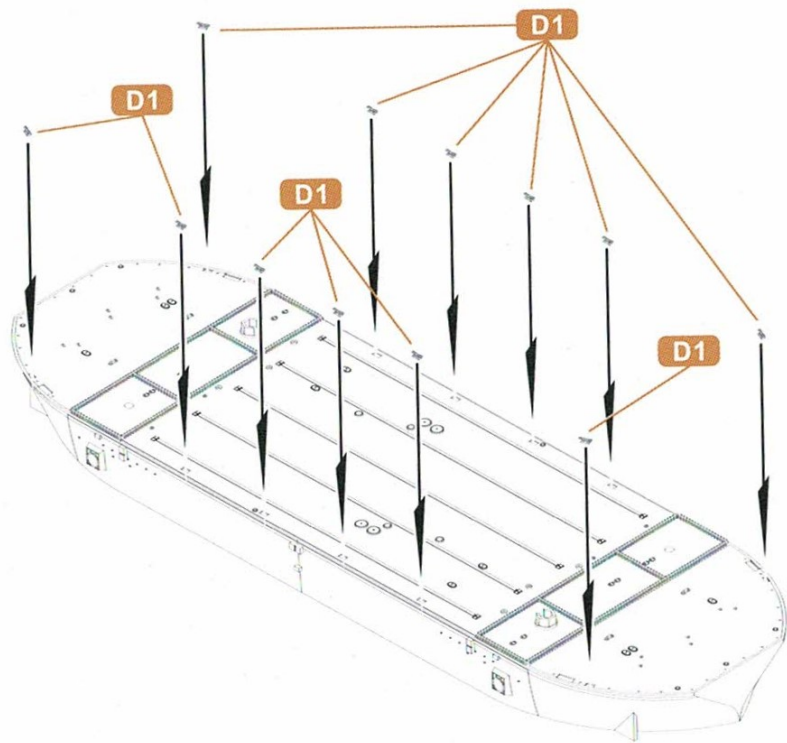
Decal



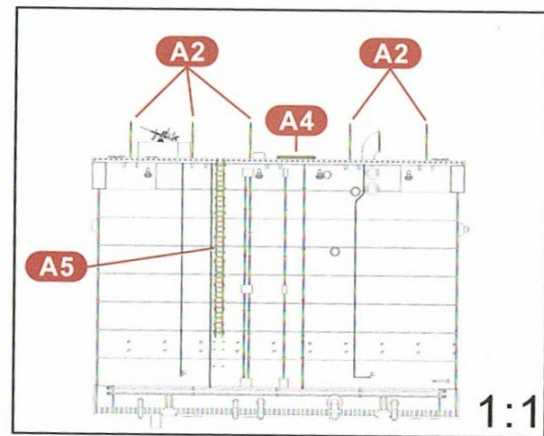
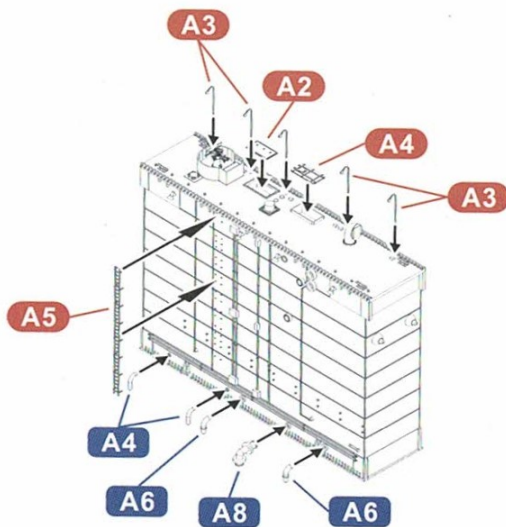
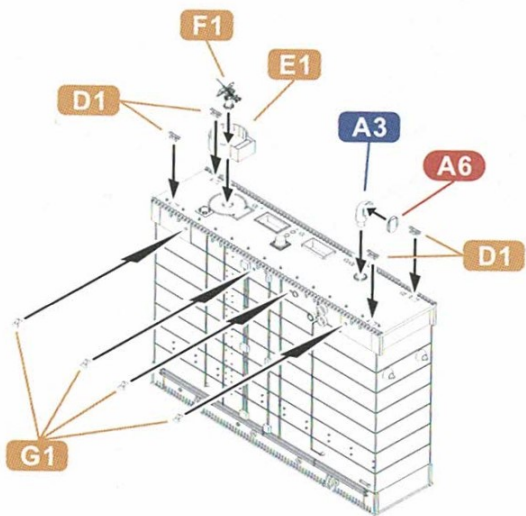
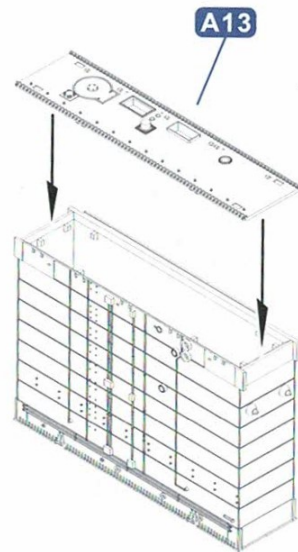
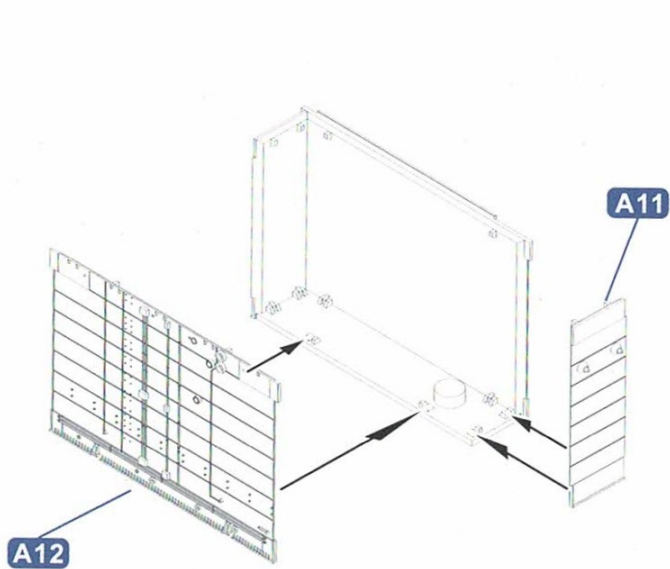
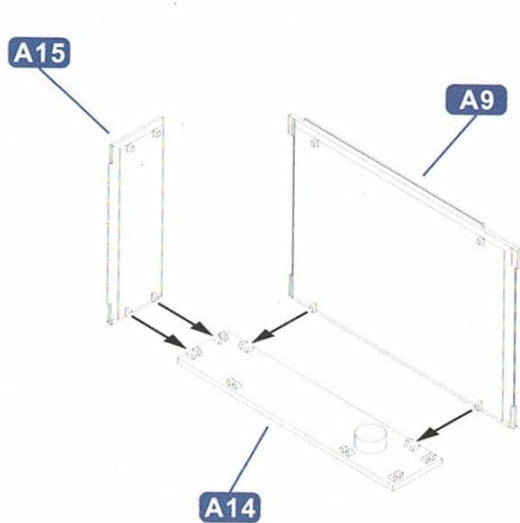
1



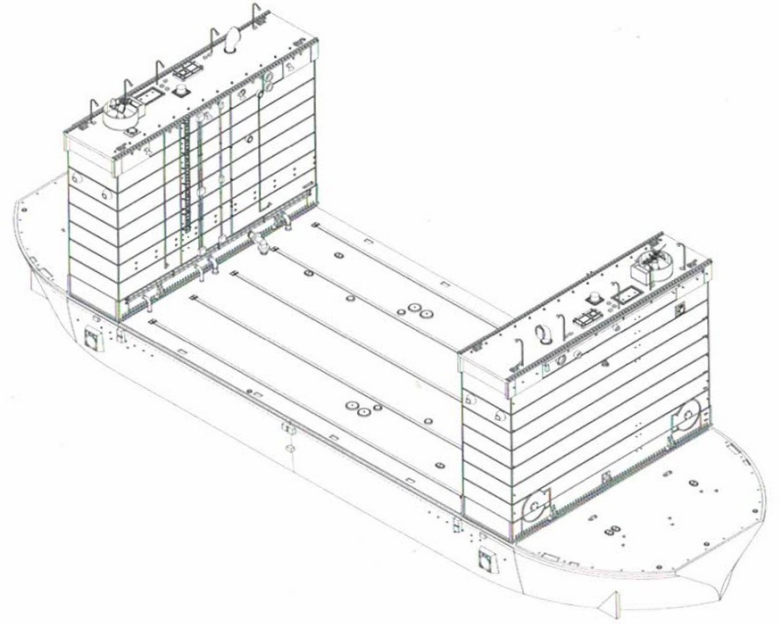
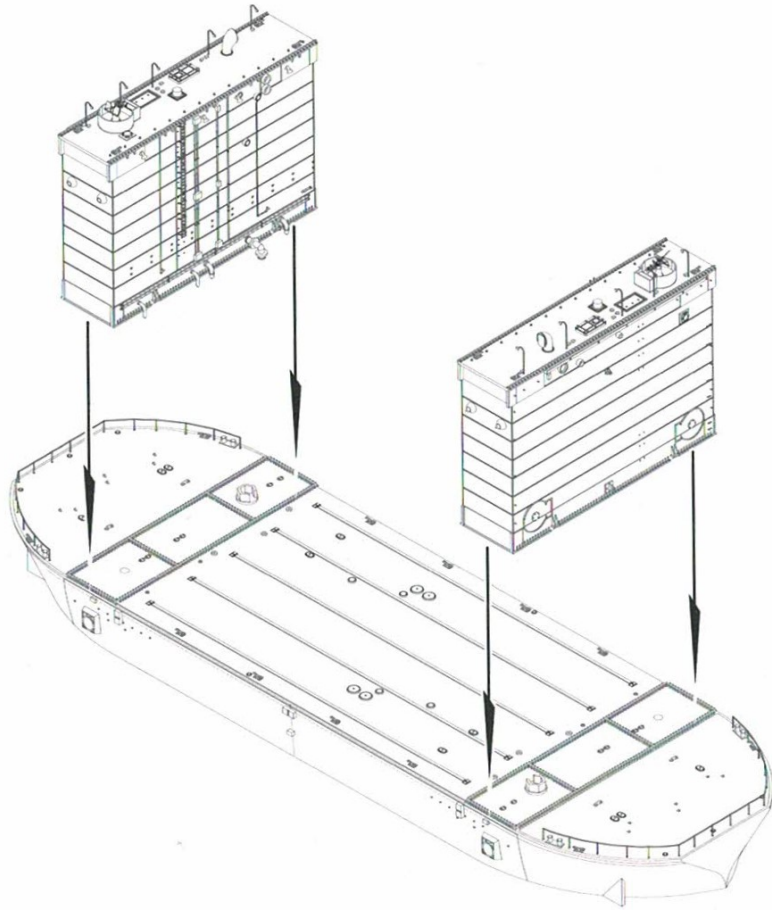
2



3

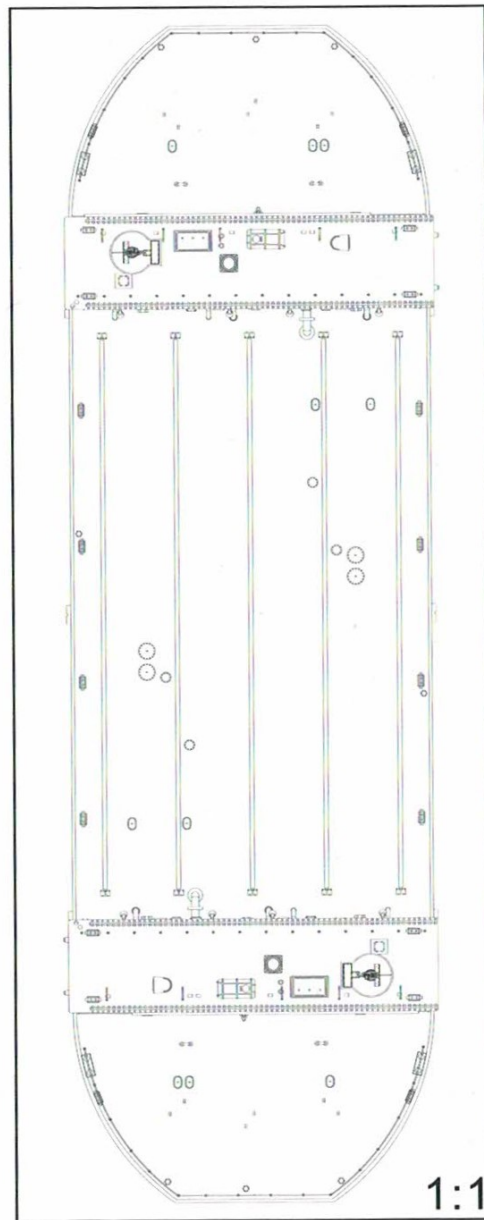
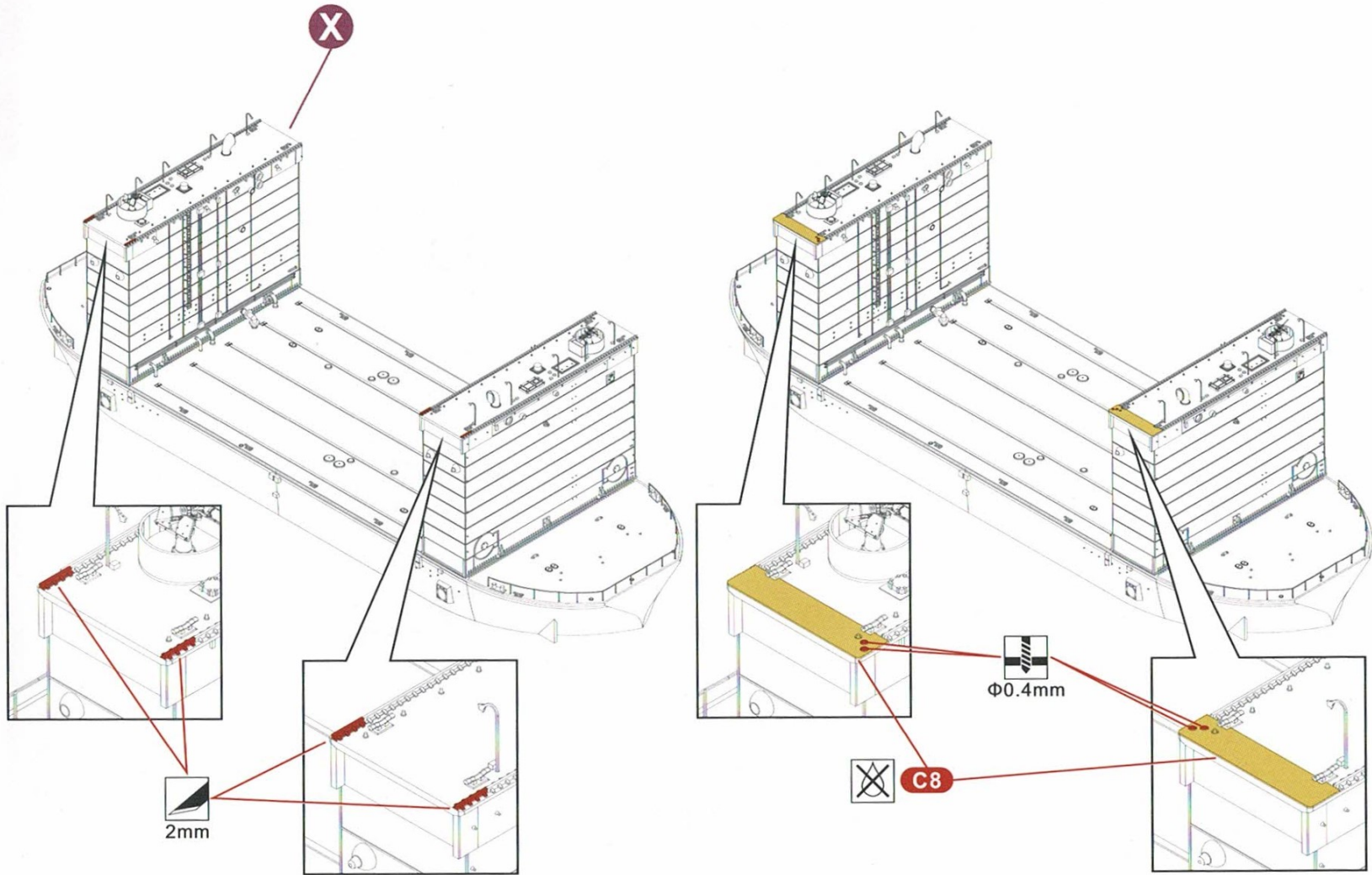


4



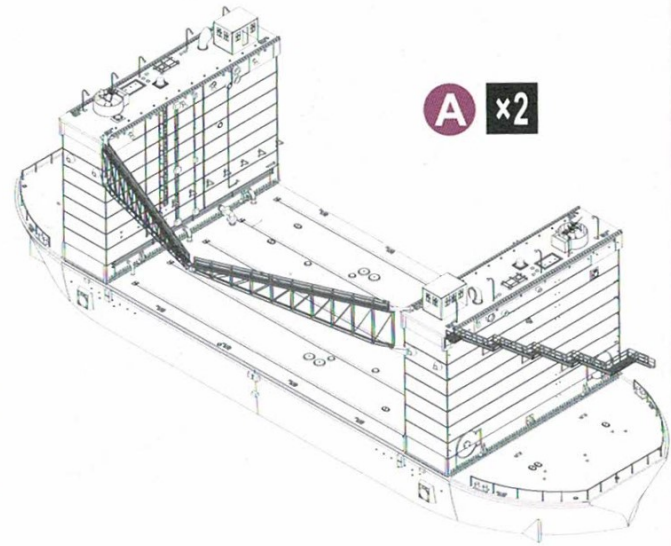
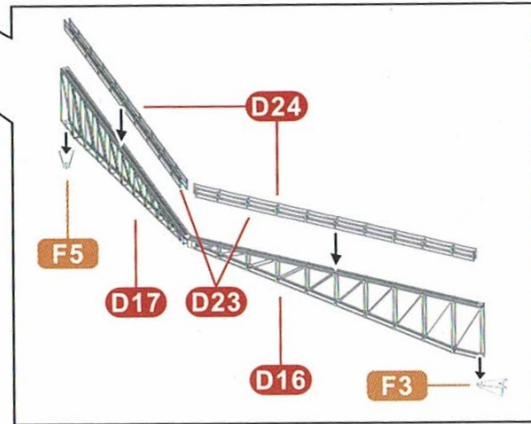
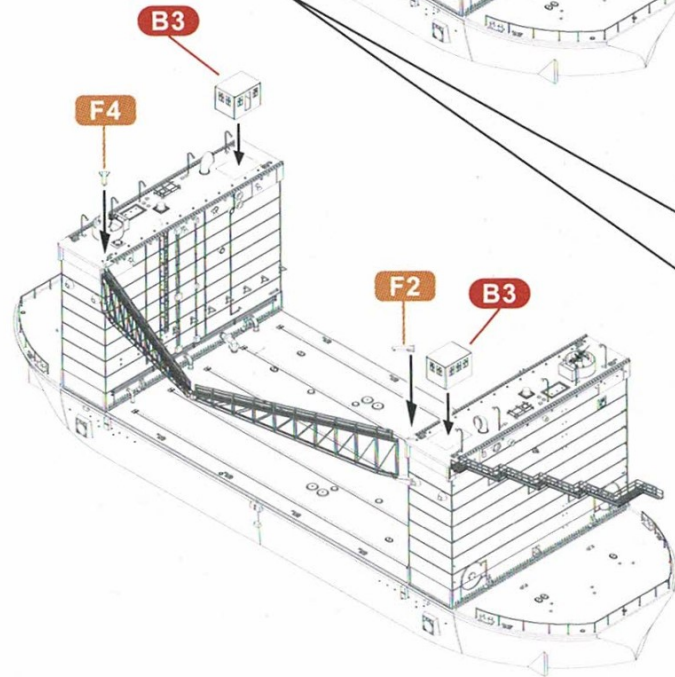
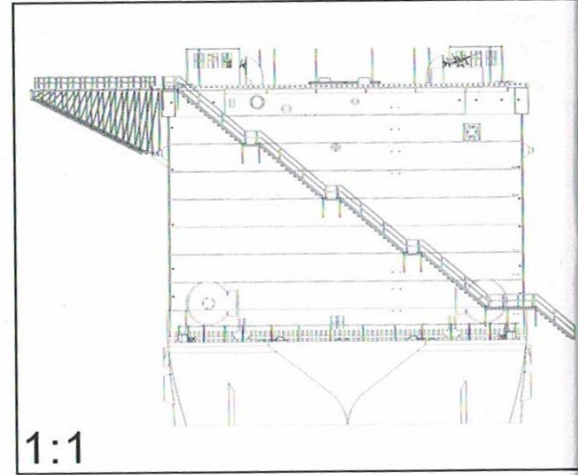
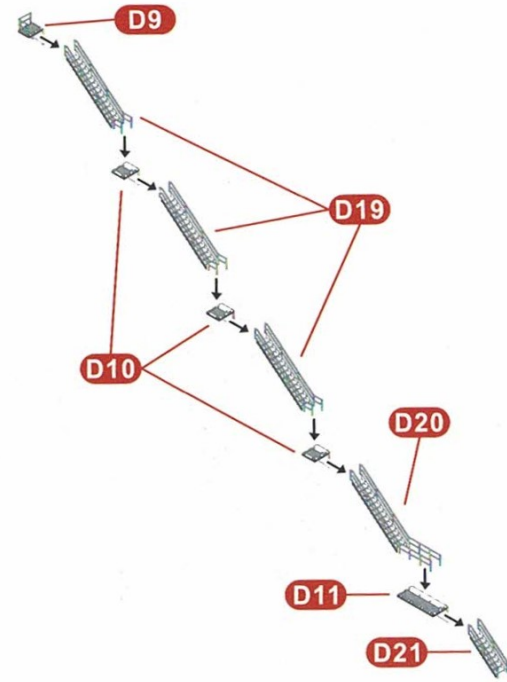
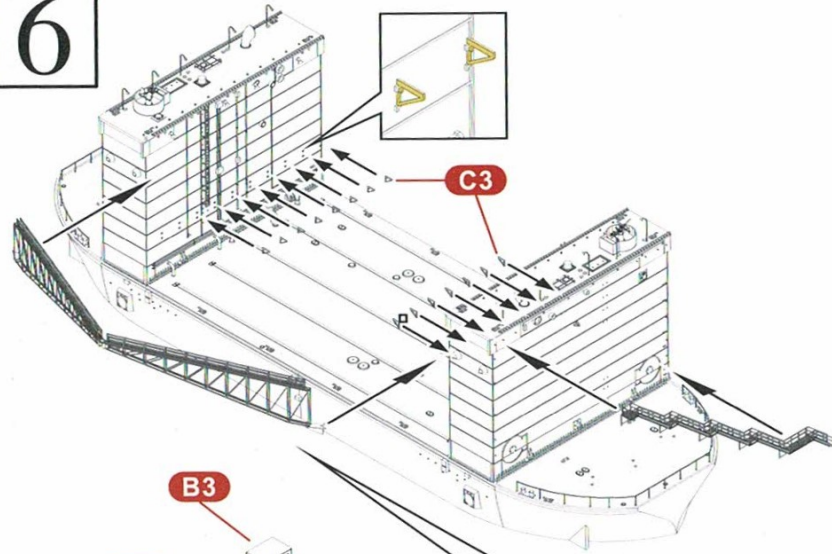
X x10

5

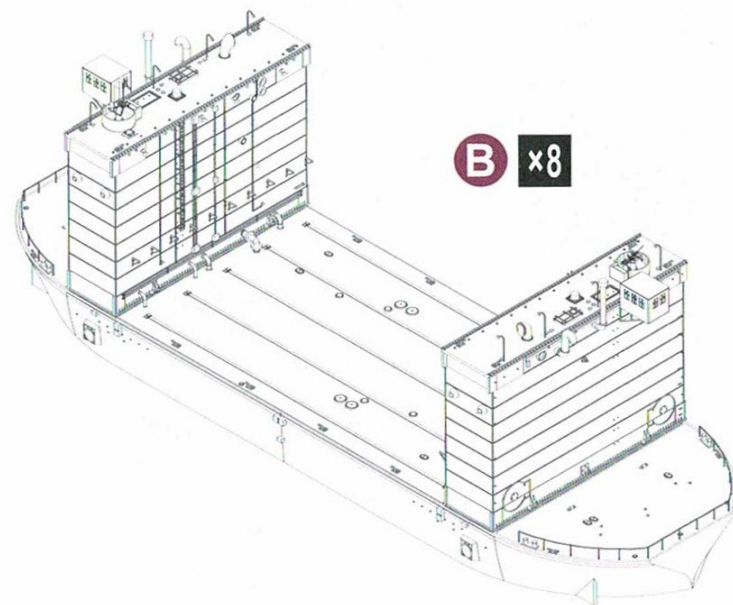
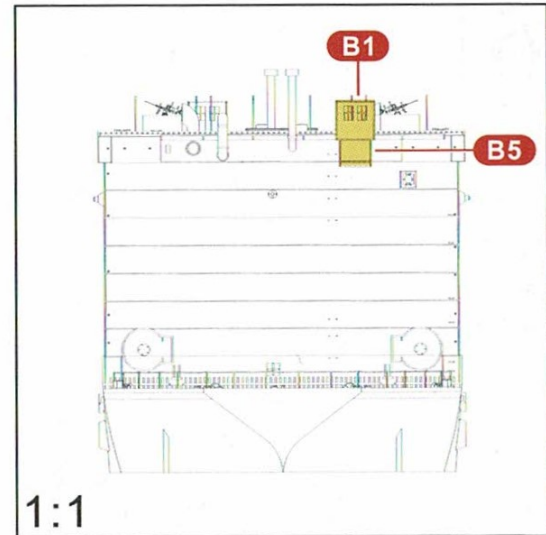
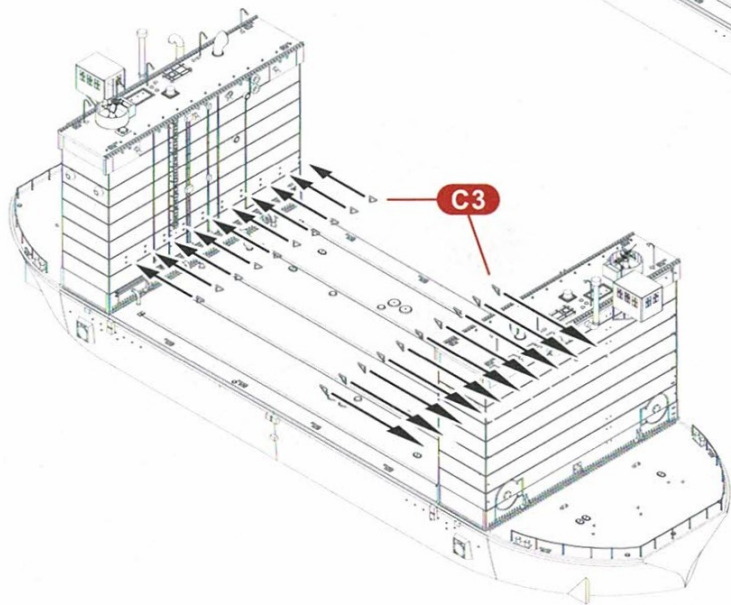
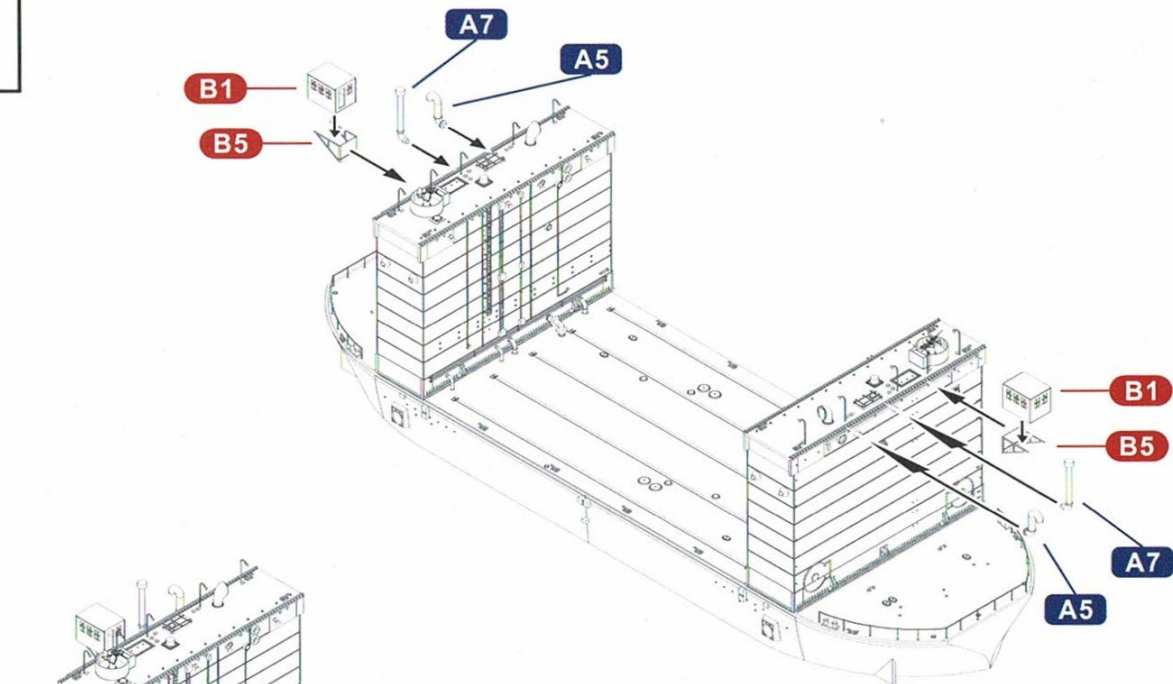


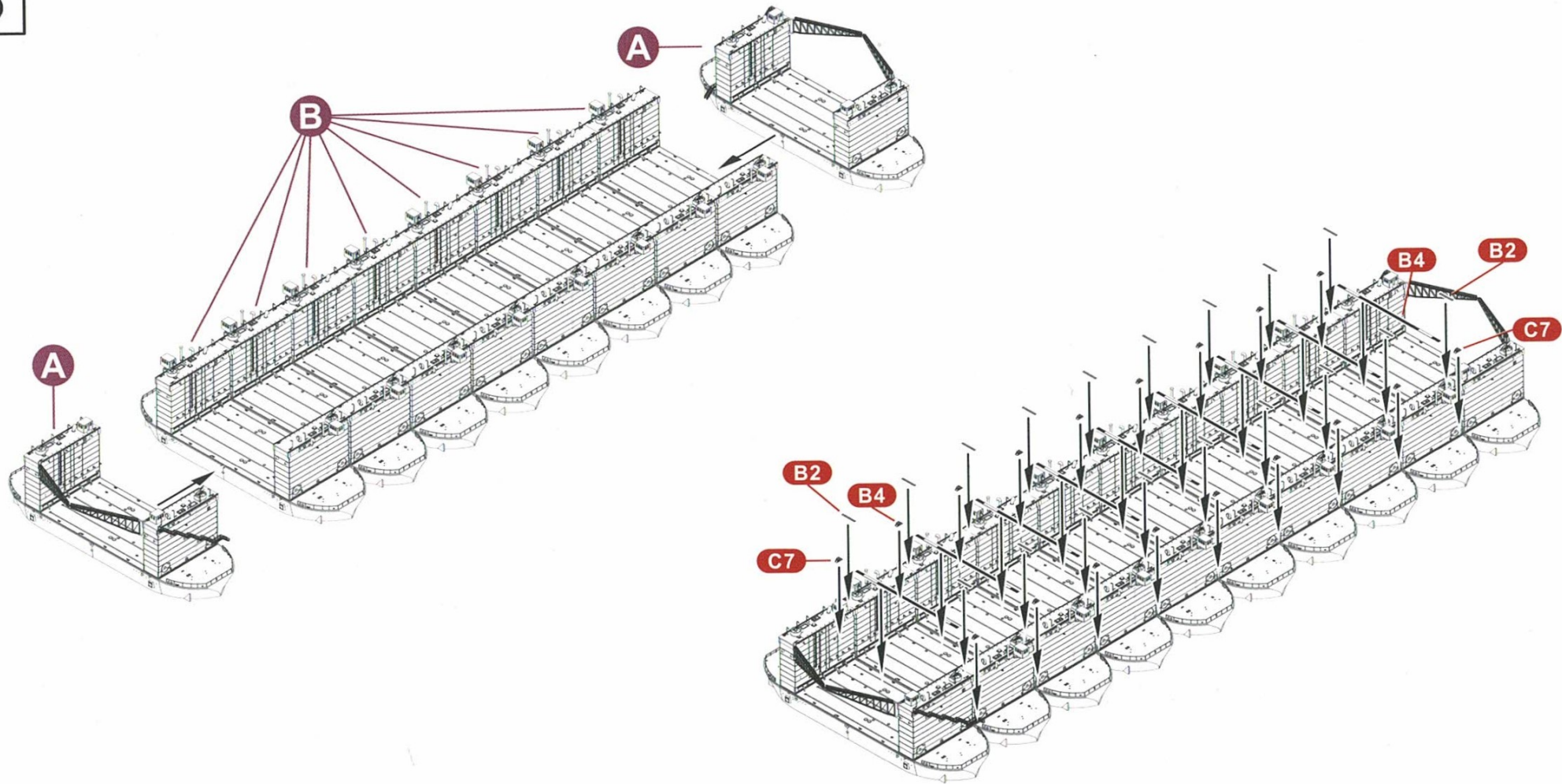
1:1

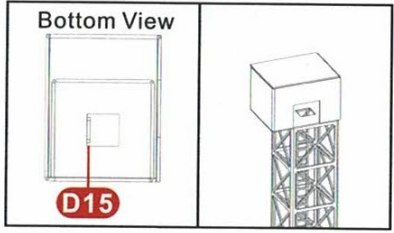
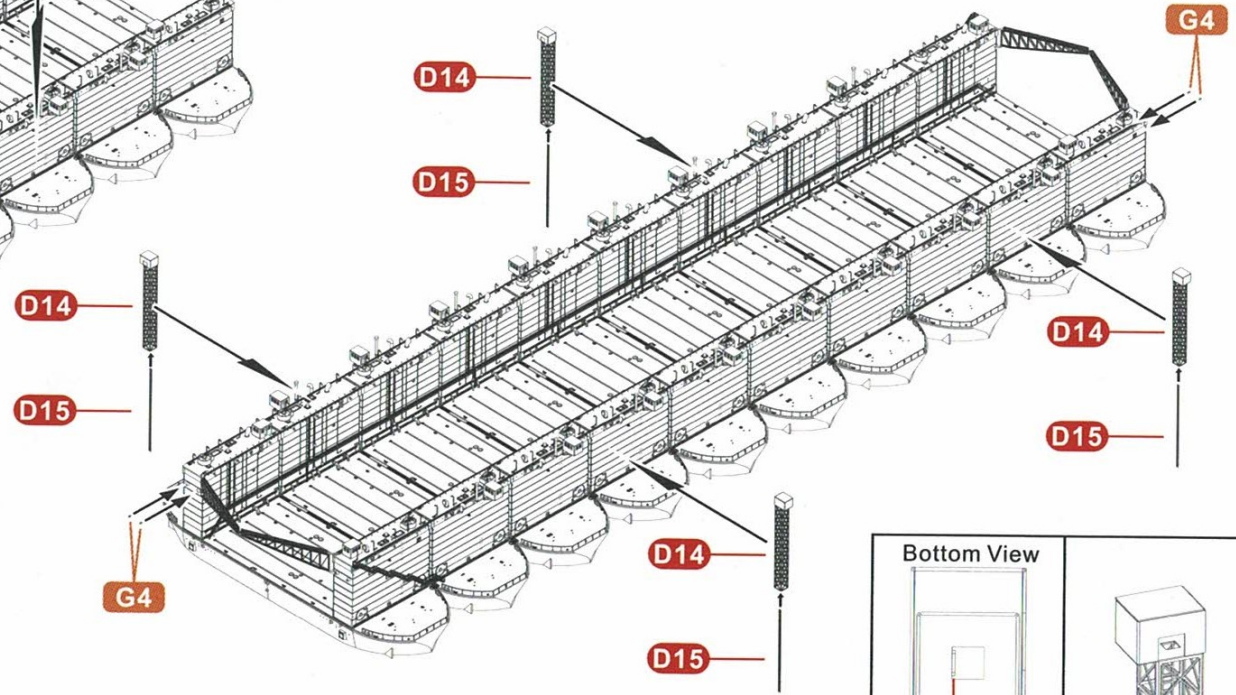
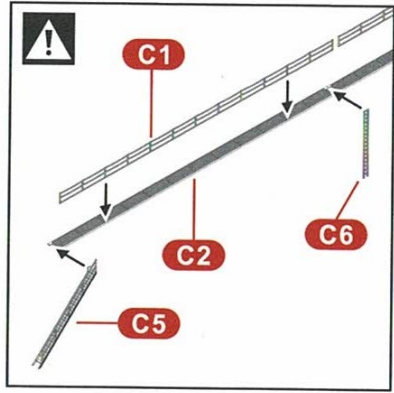
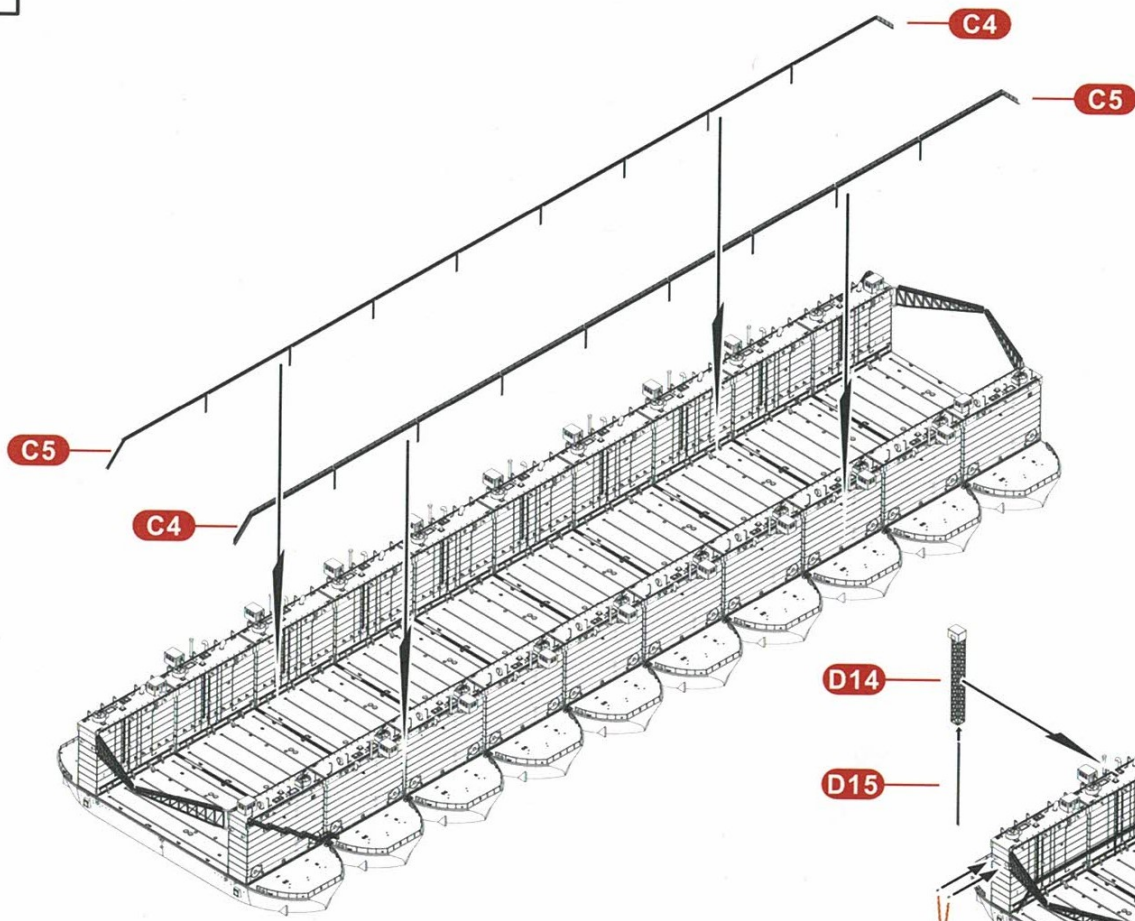
6



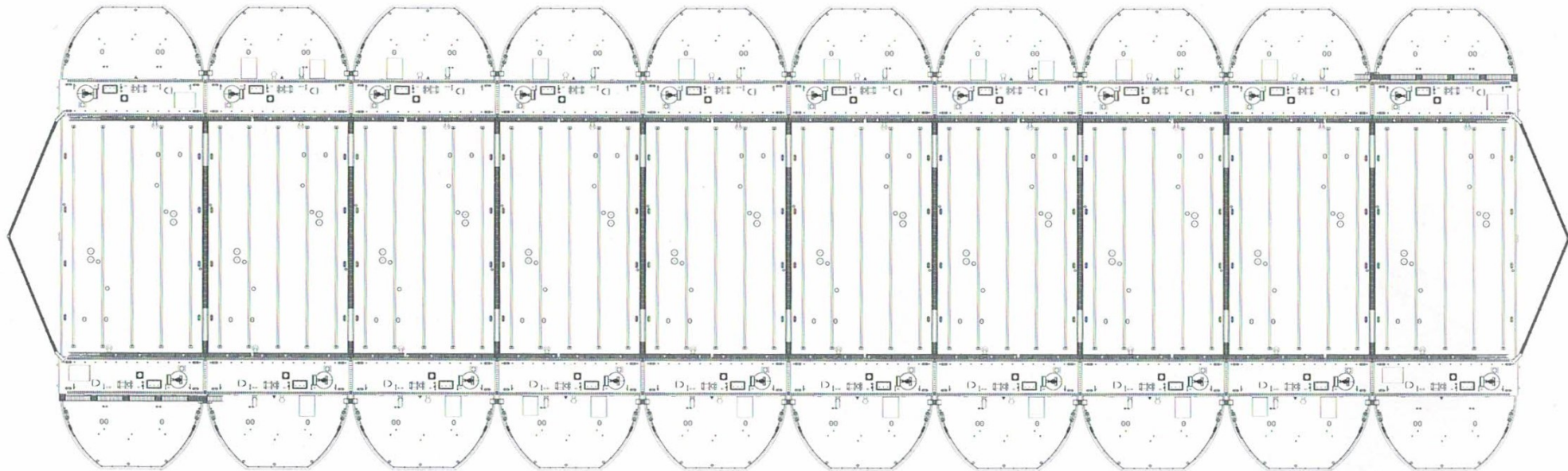
7





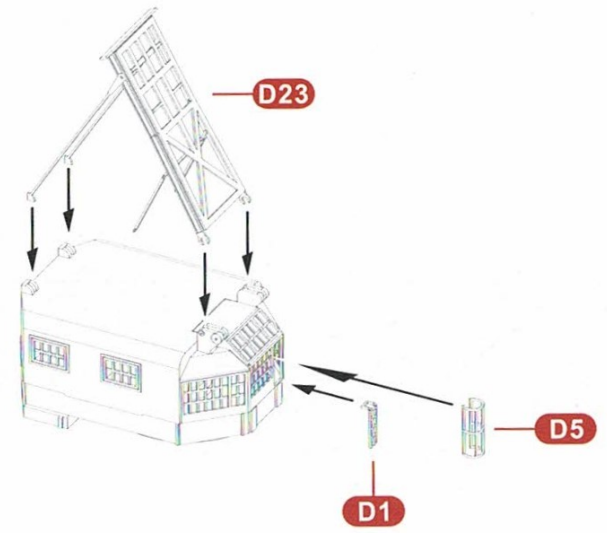
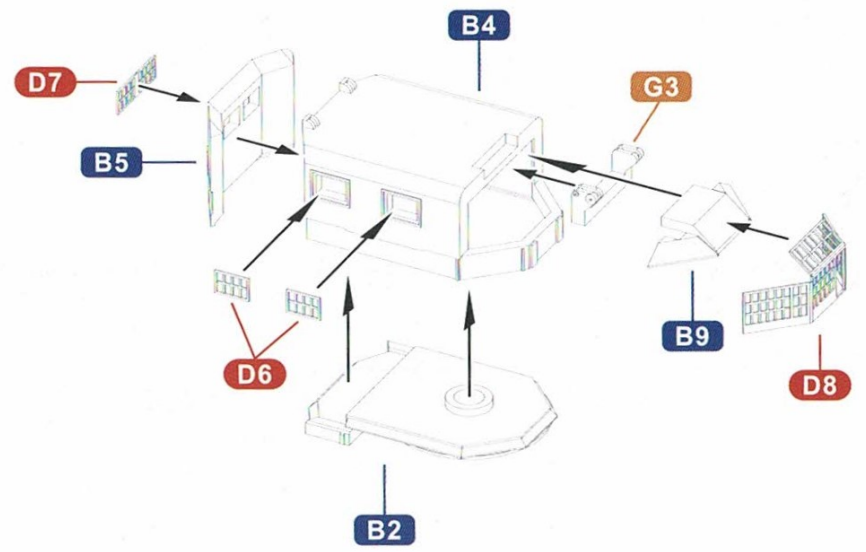
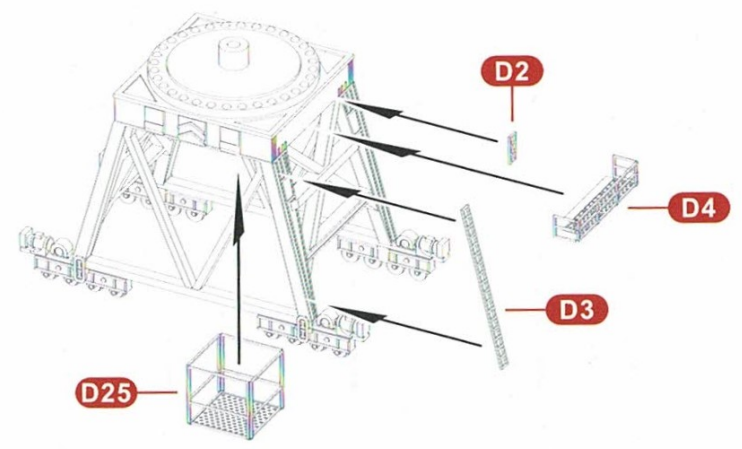
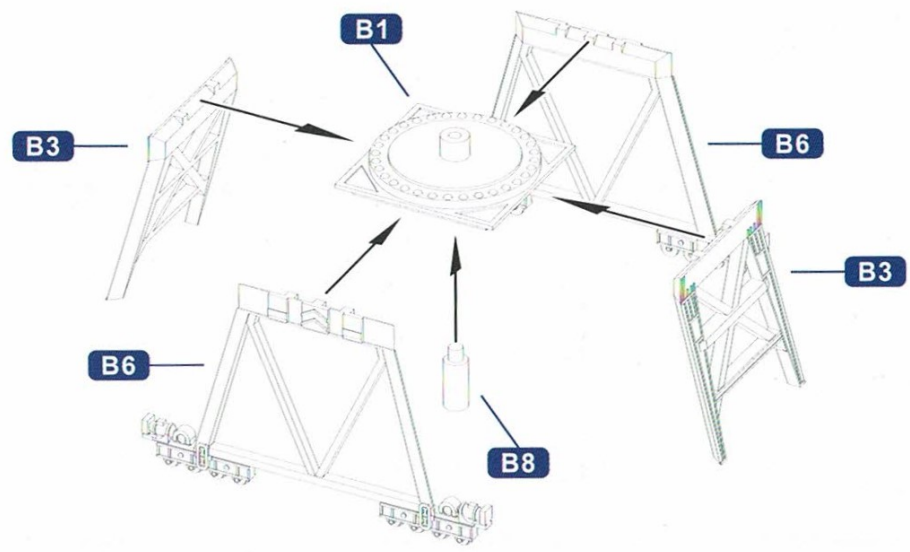


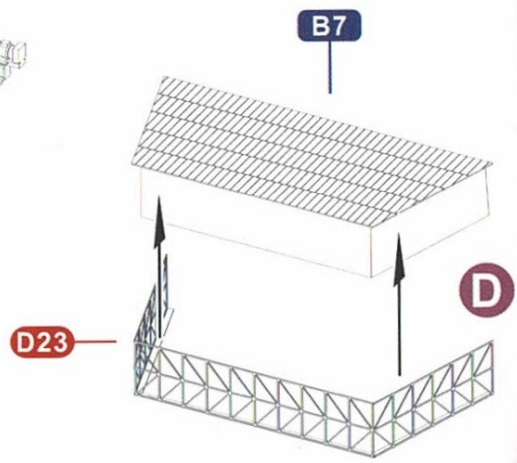
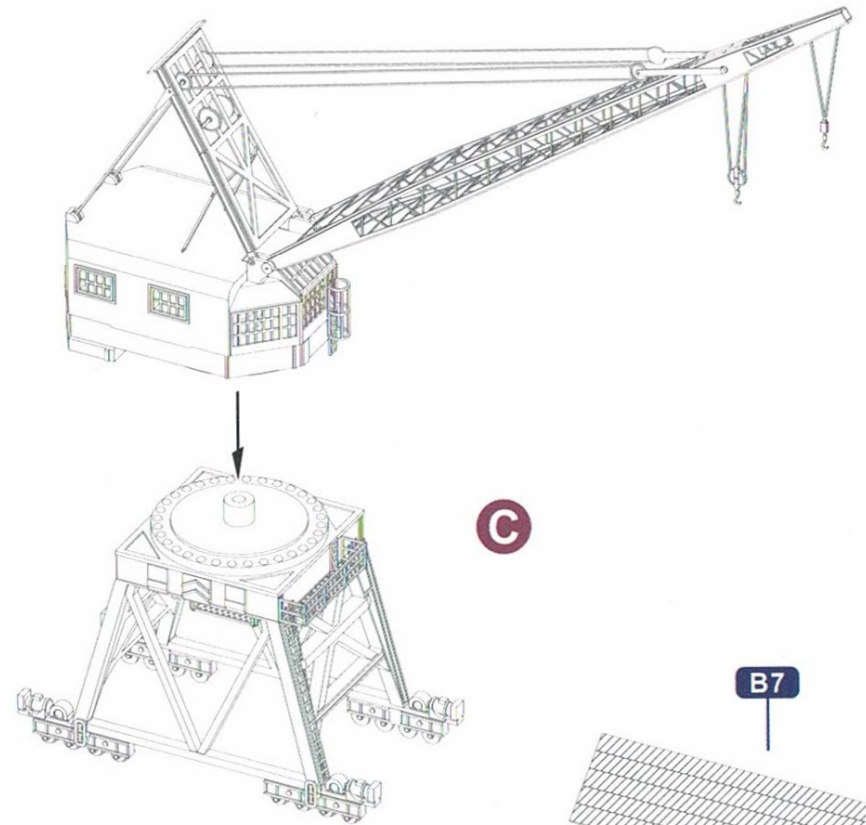
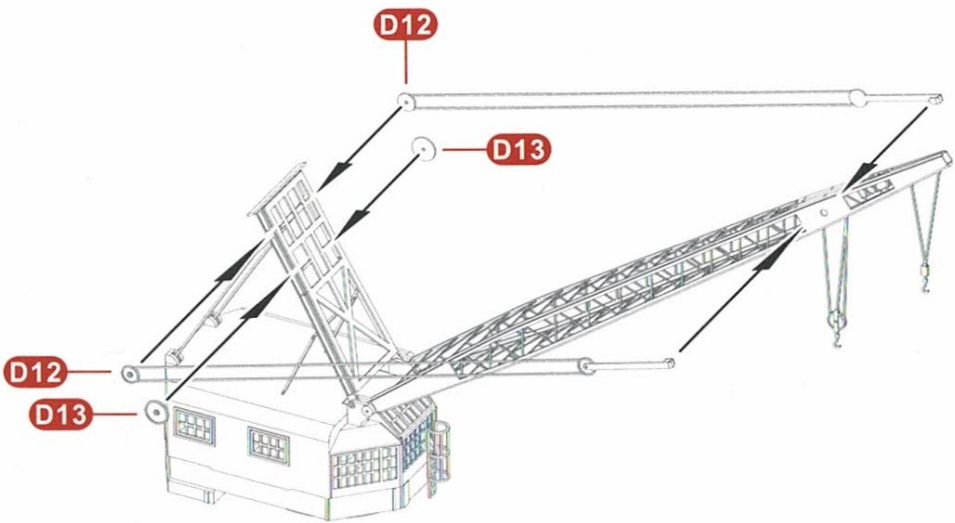
Vertical View

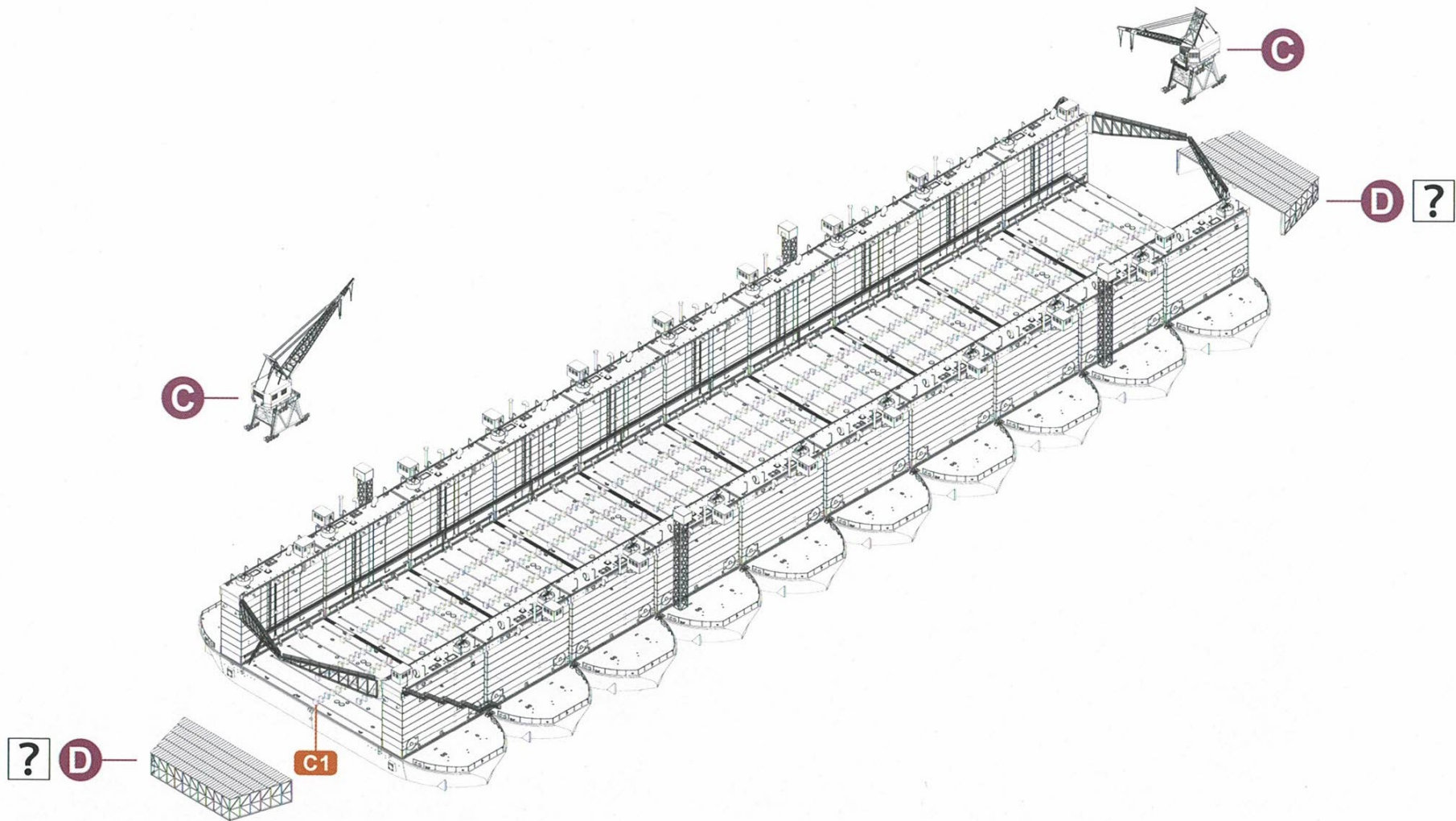


Side View





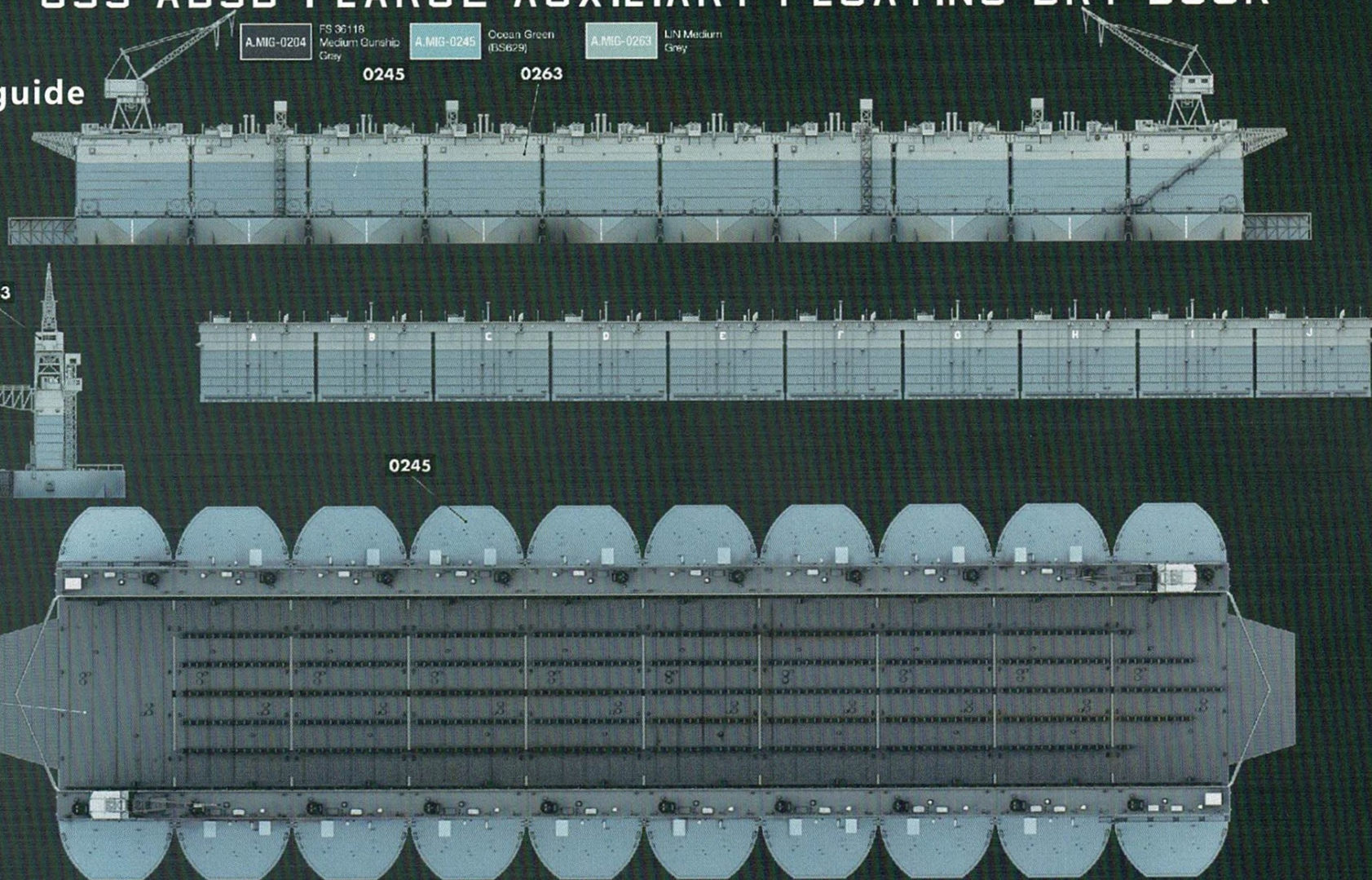




USS ABSD-1 LARGE AUXILIARY FLOATING DRY DOCK

Painting & Marking guide

塗裝與標貼指示



WEATHERING STEPS WITH AMMO PRODUCTS

1 FILTER

A.MIG-1501 Grey for White

2 GENERAL WASH

A.MIG-1008 Dark Wash

3 DIRT SHADING

A.MIG-0853 Dirt

4 DETAILS HIGHLIGHT

A.MIG-3809 Medium Grey

5 STREAKING

A.MIG-1254 Rust

6 DUST

A.MIG-3028 City Dark Dust

7 OIL

A.MIG-1408 Fresh Engine Oil

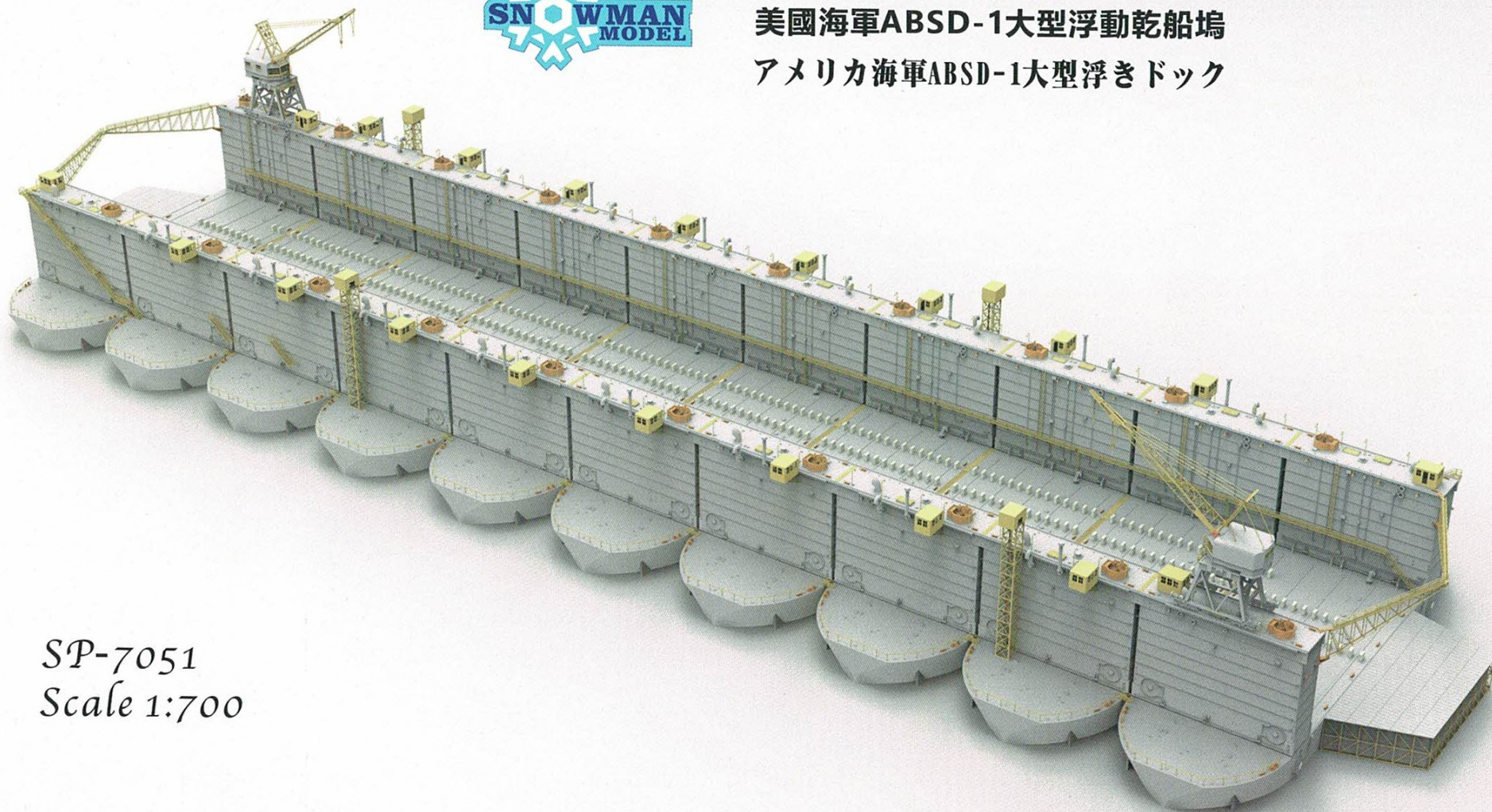


®

USS ABSD-1 LARGE AUXILIARY FLOATING DRY DOCK

美國海軍ABSD-1大型浮動乾船塢

アメリカ海軍ABSD-1大型浮きドック



SP-7051

Scale 1:700

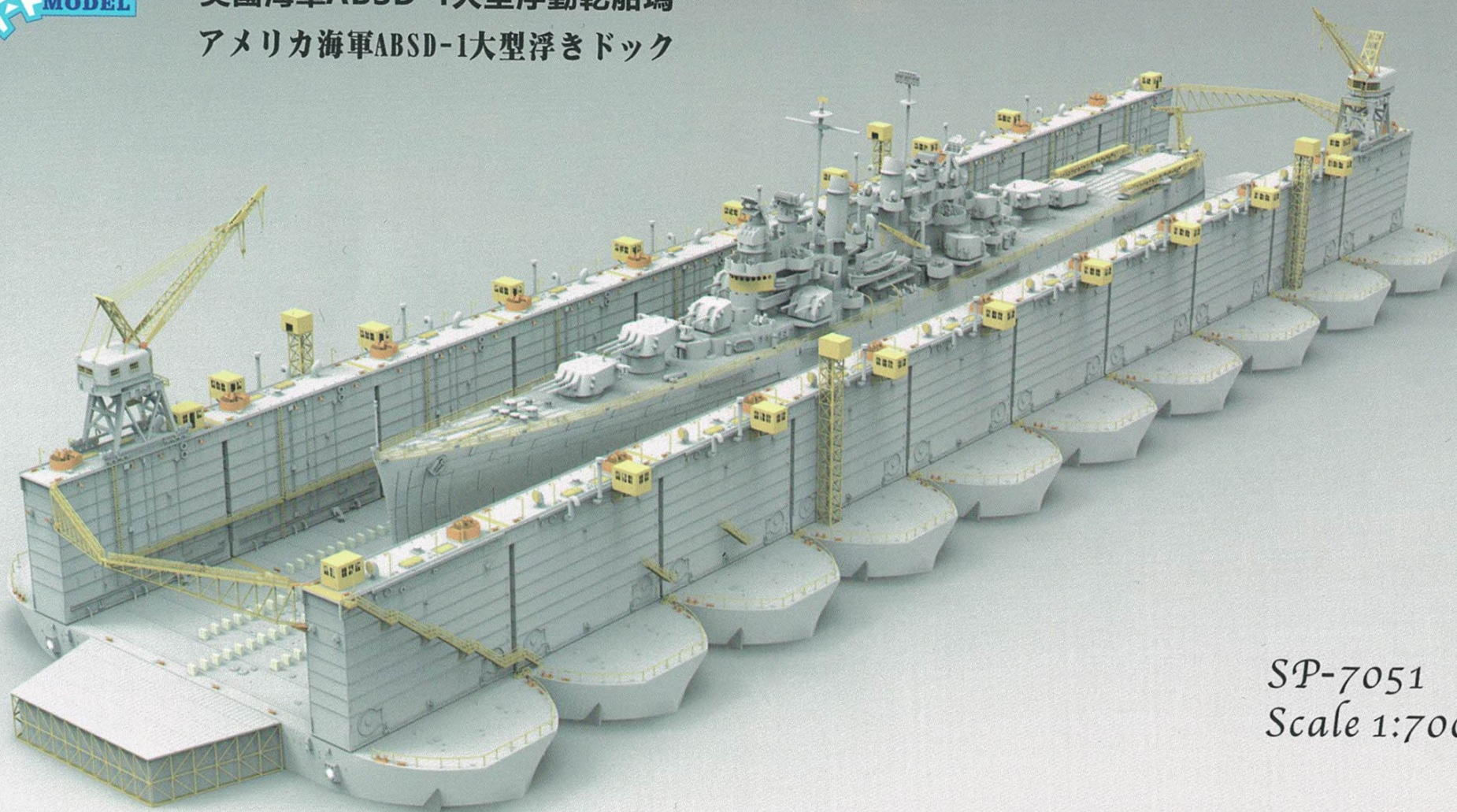


®

USS ABSD-1 LARGE AUXILIARY FLOATING DRY DOCK

美國海軍ABSD-1大型浮動乾船塢

アメリカ海軍ABSD-1大型浮きドック



SP-7051
Scale 1:700