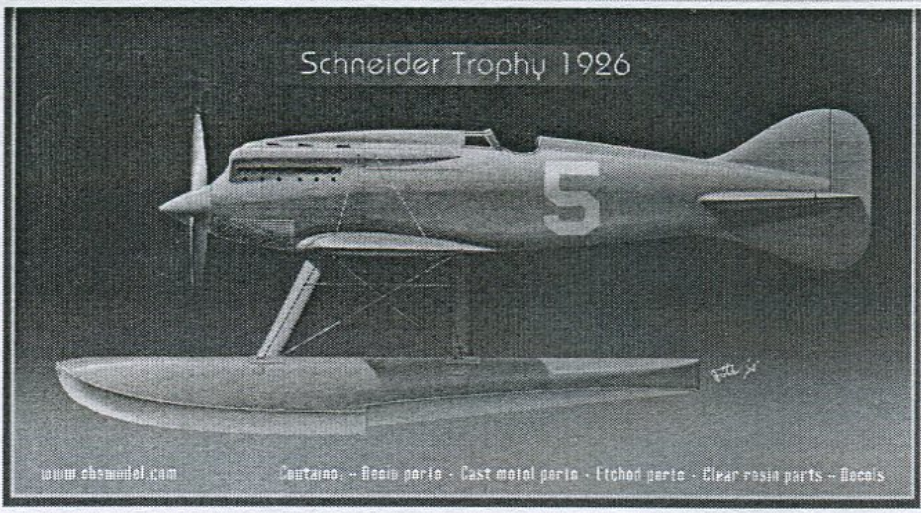




# MACCHI M.39

1/48 SCALE RESIN KIT FOR EXPERIENCED MODELERS

SBS4007



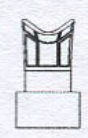
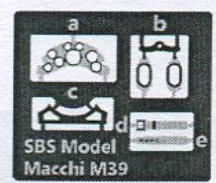
www.sbsmodel.com

Contours - Resin parts - Cast metal parts - Etched parts - Clear resin parts - Decals

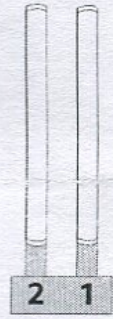
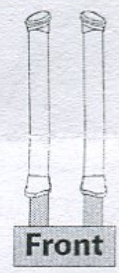
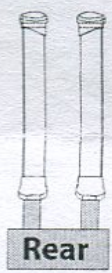
Photo etch

Film

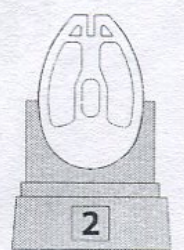
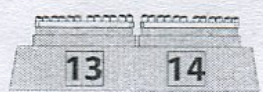
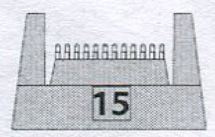
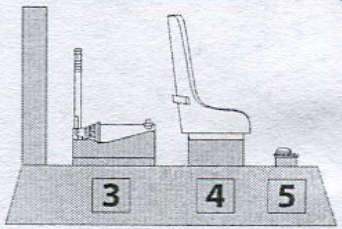
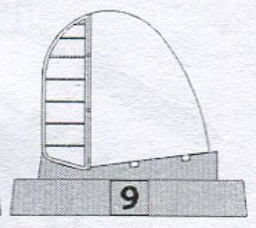
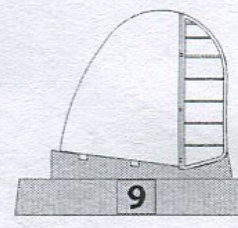
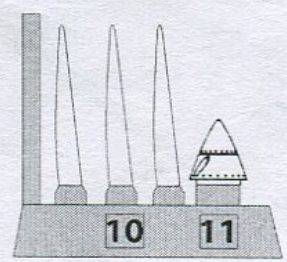
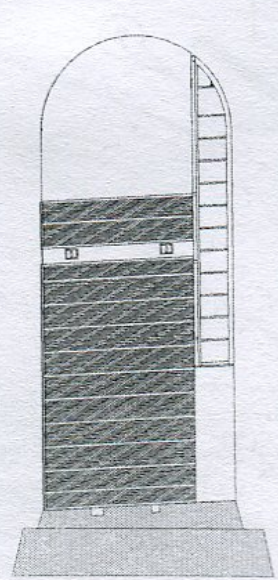
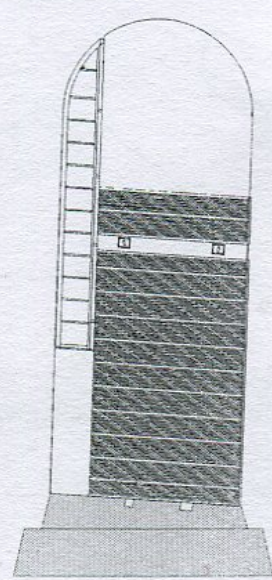
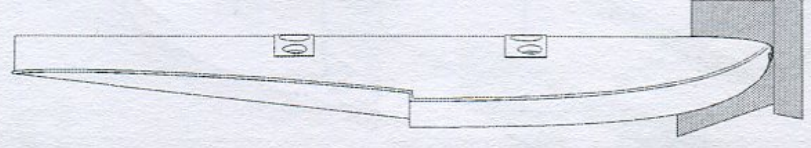
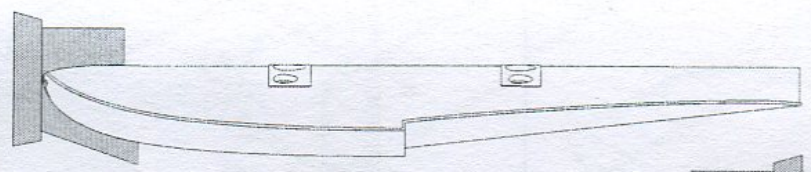
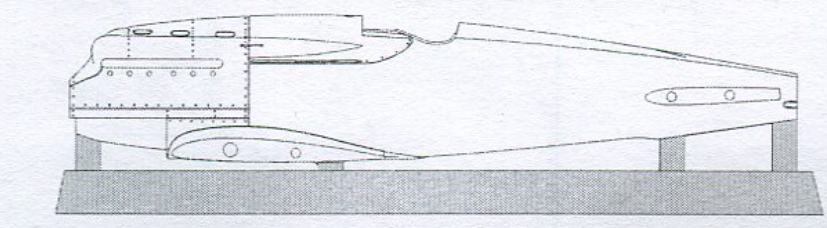
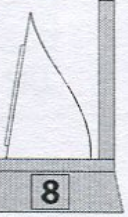
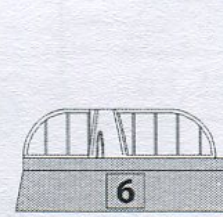
Clear resin



Brass struts



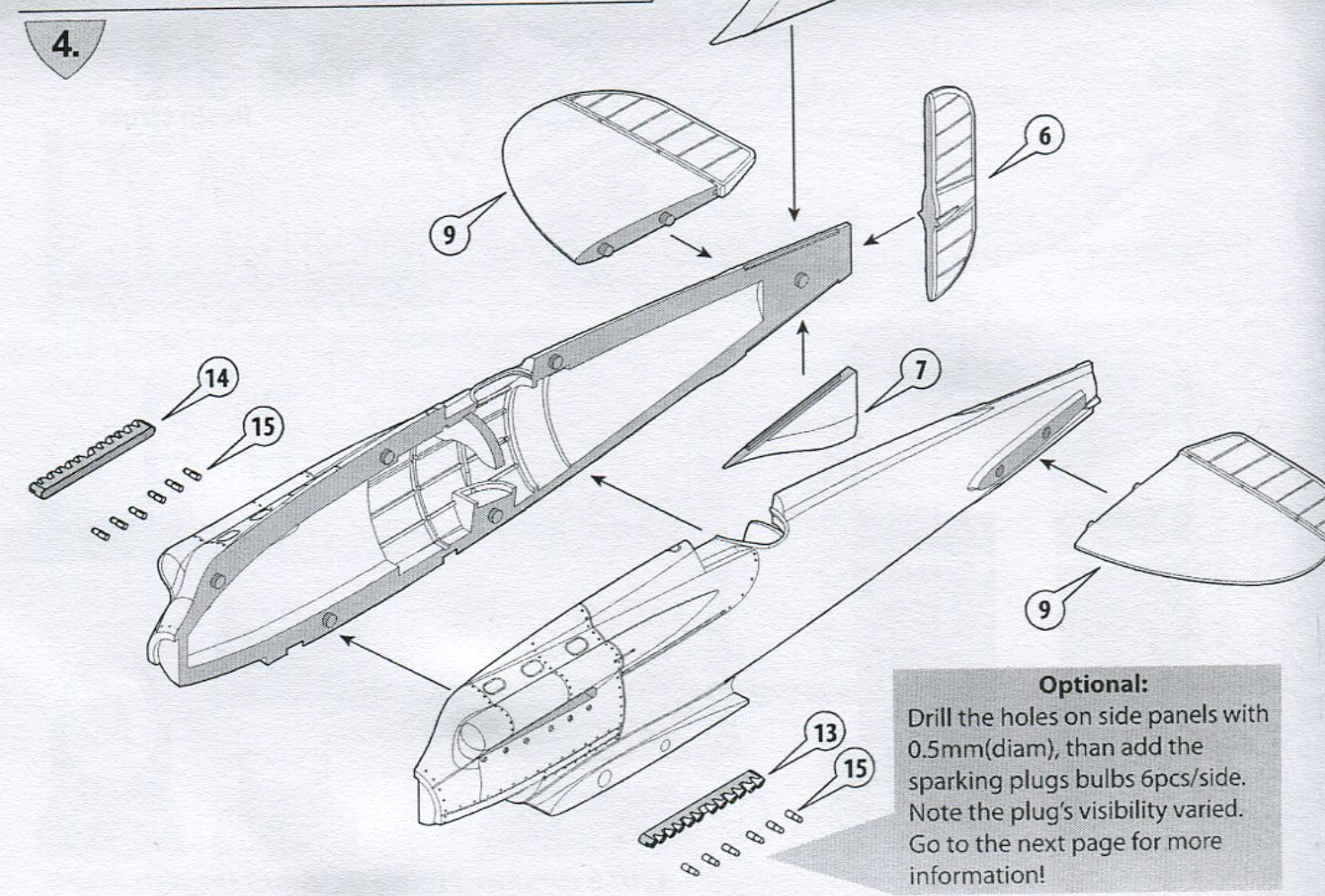
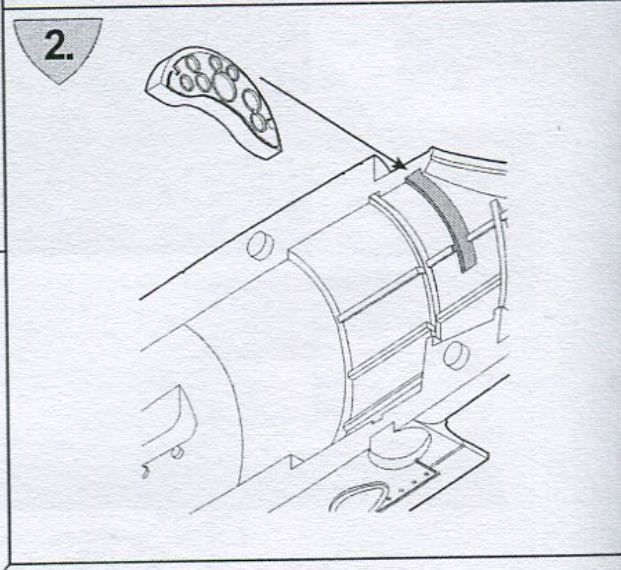
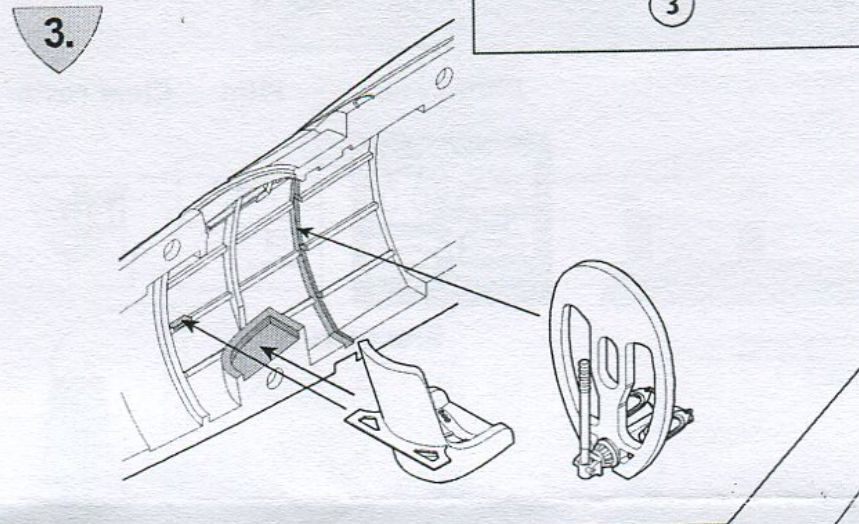
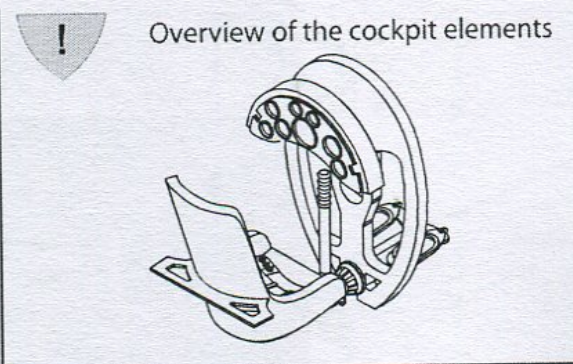
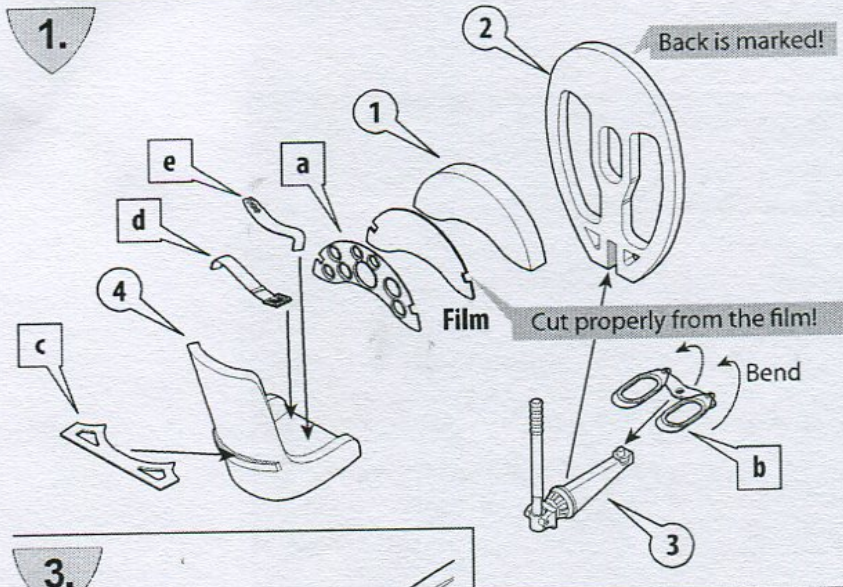
Resin struts



Kit & design: Flying Octopus Design 2022

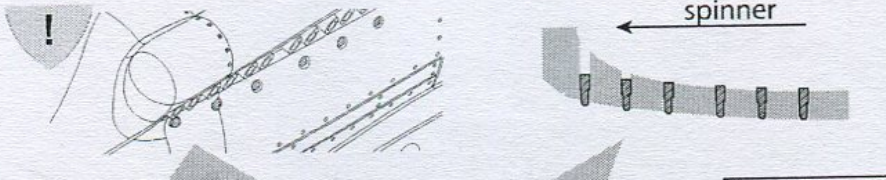


DRYFITTING RECOMMENDED BEFORE FIXING THE PARTS!



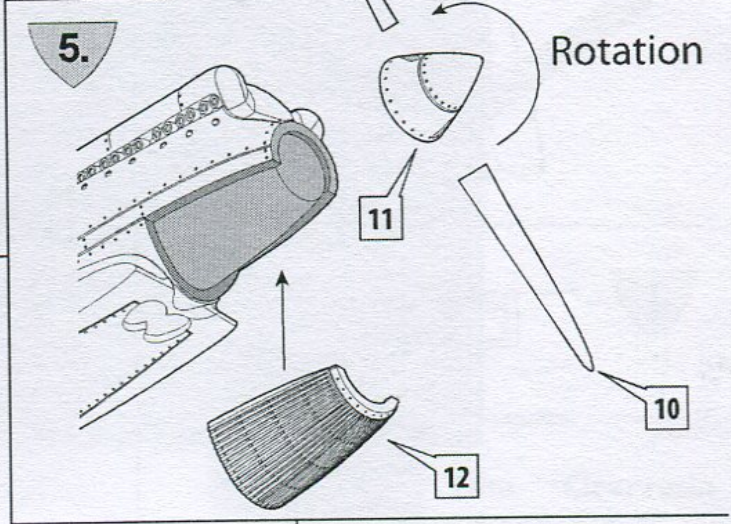


DRYFITTING RECOMMENDED BEFORE FIXING THE PARTS!



spinner

Note the plugs are being more hidden backwards on the panel! M39 displayed in Vigna di Valle has different side panels, for the best positioning follow the graphic on right above!



5.

Rotation

10

11

12

10

6.

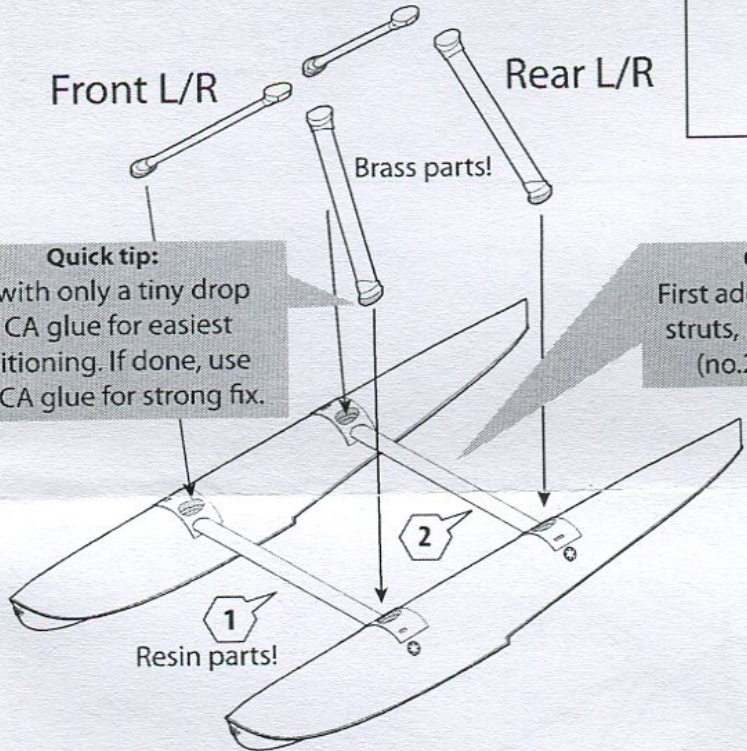
Front L/R

Rear L/R

Brass parts!

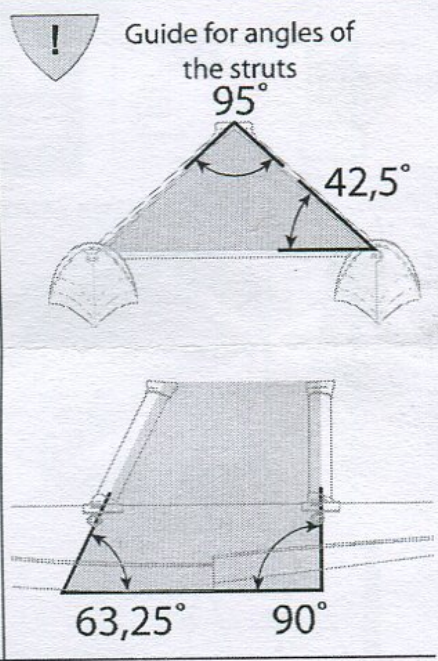
Quick tip: Fix with only a tiny drop of CA glue for easiest positioning. If done, use thin CA glue for strong fix.

Quick tip: First add the horizontal struts, use the longest (no.2) at the rear!



1 Resin parts!

2



!

Guide for angles of the struts

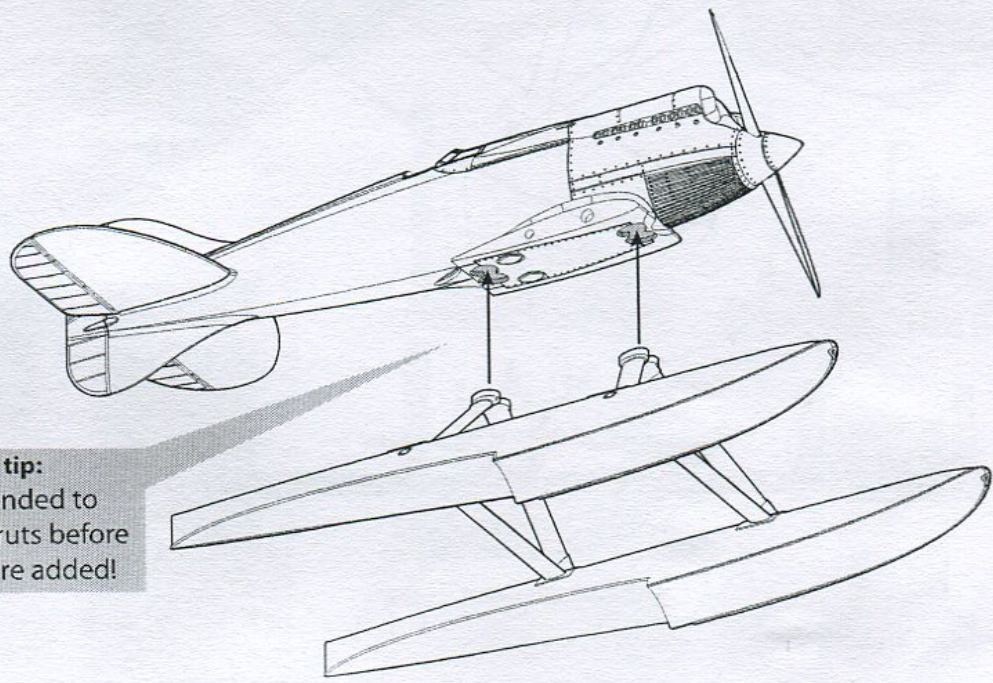
95°

42,5°

63,25°

90°

7.

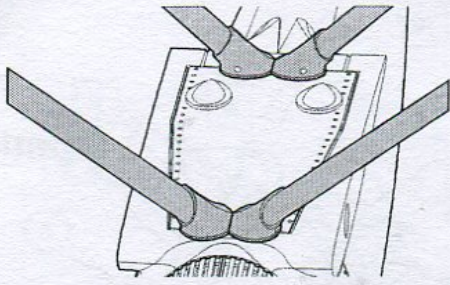


Quick tip: Recommended to install the struts before the wings are added!





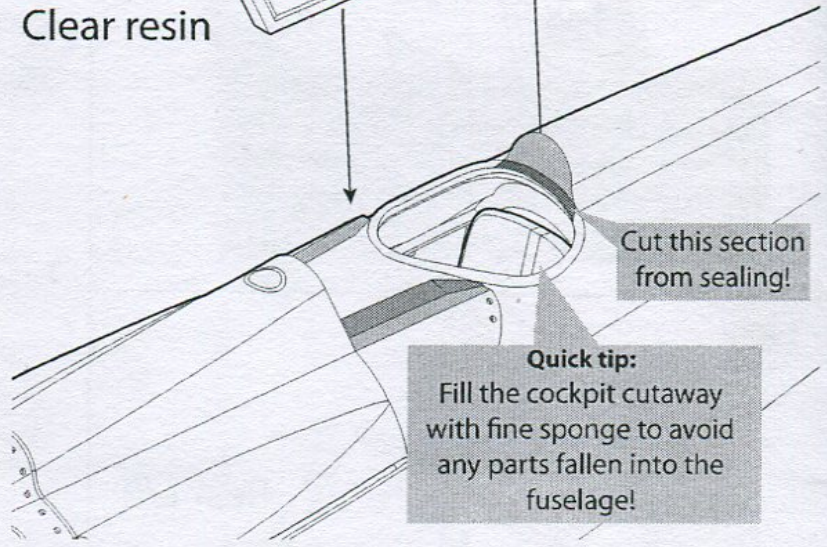
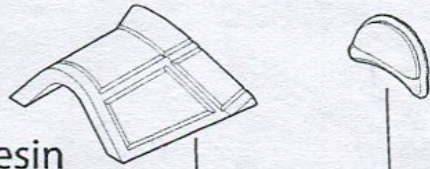
Junction of the  
struts



Note the  
headrest's edge  
runs with the  
sealing!

8.

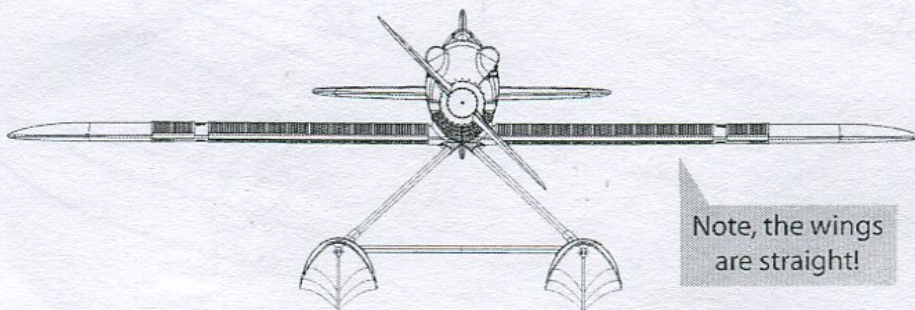
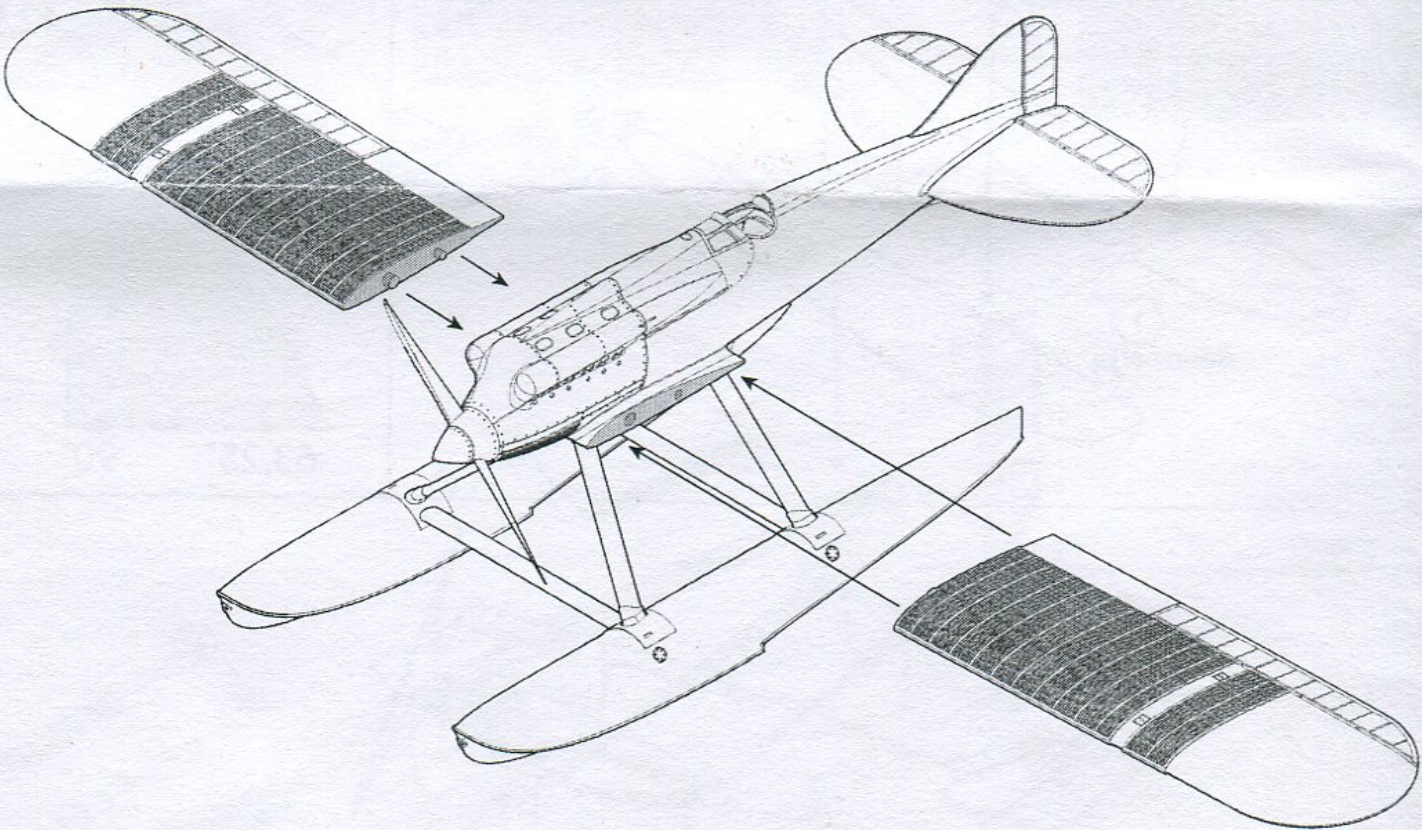
Clear resin



Cut this section  
from sealing!

**Quick tip:**  
Fill the cockpit cutaway  
with fine sponge to avoid  
any parts fallen into the  
fuselage!

9.



Note, the wings  
are straight!



1. Macchi M 39 "Nr. 1"

Adriano Bacula Schneider Trophy 1926, Hampton Roads, Virginia



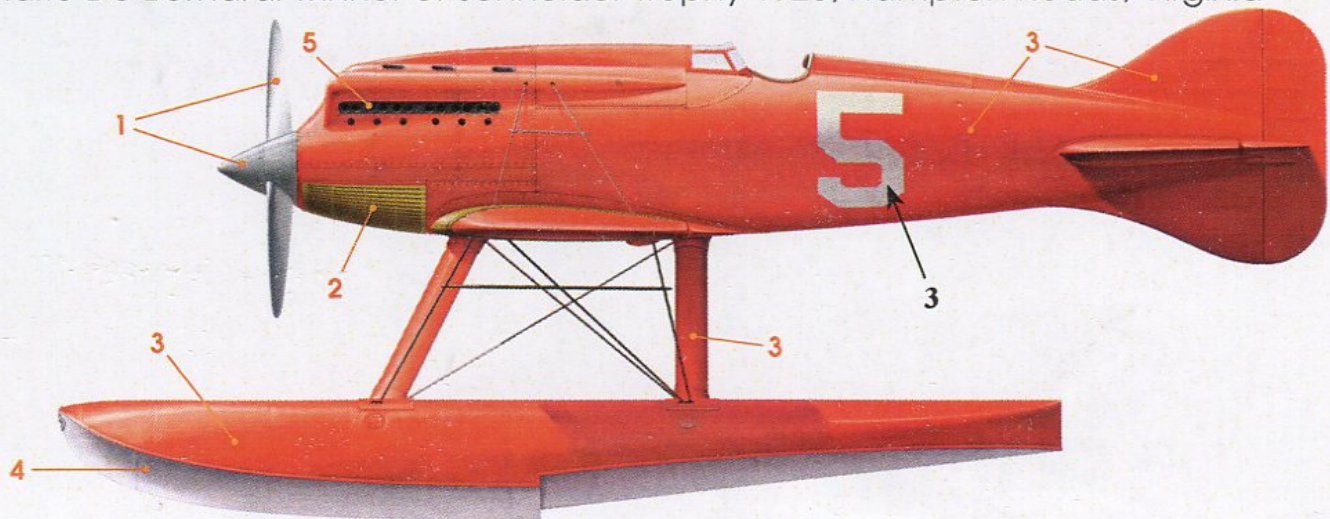
2. Macchi M 39 "Nr. 3"

Arturo Ferrarin Schneider Trophy 1926, Hampton Roads, Virginia



3. Macchi M 39 "Nr. 5"

Mario De Bernardi winner of Schneider Trophy 1926, Hampton Roads, Virginia



1 Silver



2 Brass



3 Gloss Red



4 White



5 Matt Black



