

R72038

CONVAIR XF-92A (LATE)



The Convair model 7002 or (P-92), a delta winged turbojet airplane better known as the XF-92A was the first in a long line of American Delta Winged Aircraft.

The design was originally developed by Dr Alexander Lippisch of Germany before and during World War II the ramjet powered Lippisch P.13a. After moving to the United States part of Operation Paperclip, Lippisch managed to interest Convair in building the design with a turbojet engine as a point-defense interceptor.

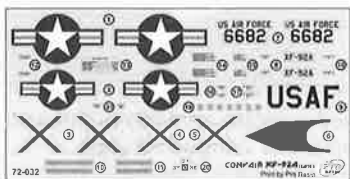
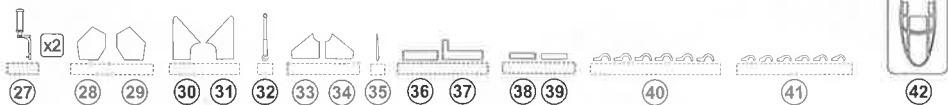
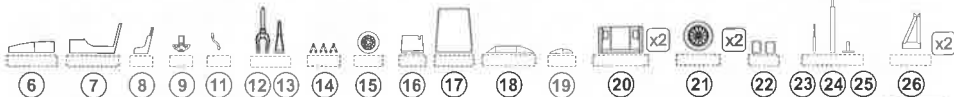
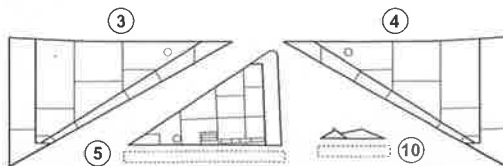
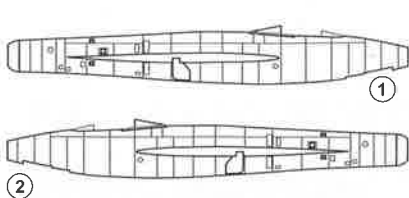
NACA's High-Speed Flight Research Station assumed flight testing in 1953. NACA pilot Scott Crossfield flew all 25 flights over the six month test period. The XF-92A had a bad pitch-up problem which was solved eventually adding different wing-fence combinations.

Technical Data

Crew	1
Length	42 ft 6 in (12.99 m)
Wingspan.....	31 ft 4 in (9.55 m)
Height.....	17 ft 9 in (5.37 m)
Wing area.....	452 ft ² (39.5 m ²)
Empty weight.....	14,608 lb (6.626 kg)
Powerplant.....	1+ Allison J33-A-29 turbojet, 7,500 lbf (33.4 kN)
Maximum speed	718 mph (624 knots, 1,160 km/h)
Service ceiling	50,750 ft (15,450 m)
Rate of climb.....	8,135 ft/min(41.3 m/s)
Wing loading.....	34 lb/ft ² (168 kg/m ²)

References

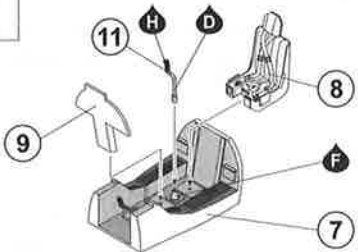
1. Fighters of the United States Air Force, Robert F. Dorr and David Donald, Temple Press Aerospace, 1990.
2. The American Fighter, Enzo Angelucci and Peter Bowers, Orion, 1987.
3. General Dynamics Aircraft and their Predecessors, John Wegg, Naval Institute Press, 1990.
4. Wings of Fame, No.17.



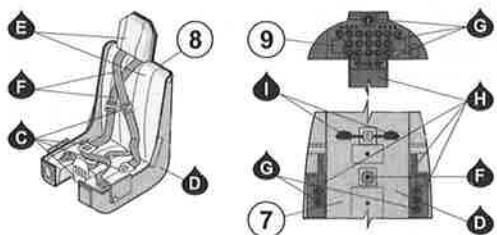
CONDITIONAL MARKINGS

- 1 Resin parts
- A Paint
- 12 Use decal
- ▶ Photo-etched parts
- ▽ Drill or pierce
- x2 Repeat operation
- ✂ Cut
- ↕ Choose
- 📦 Load

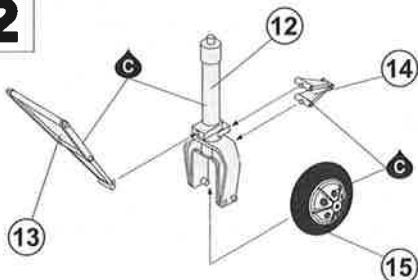
1



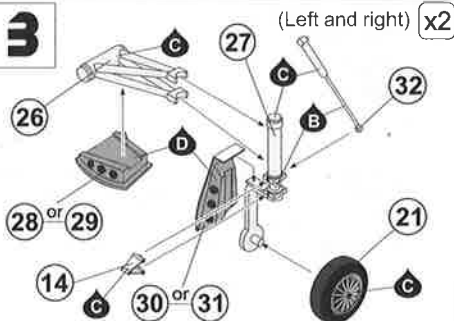
PAINTING OF SEAT AND COCKPIT

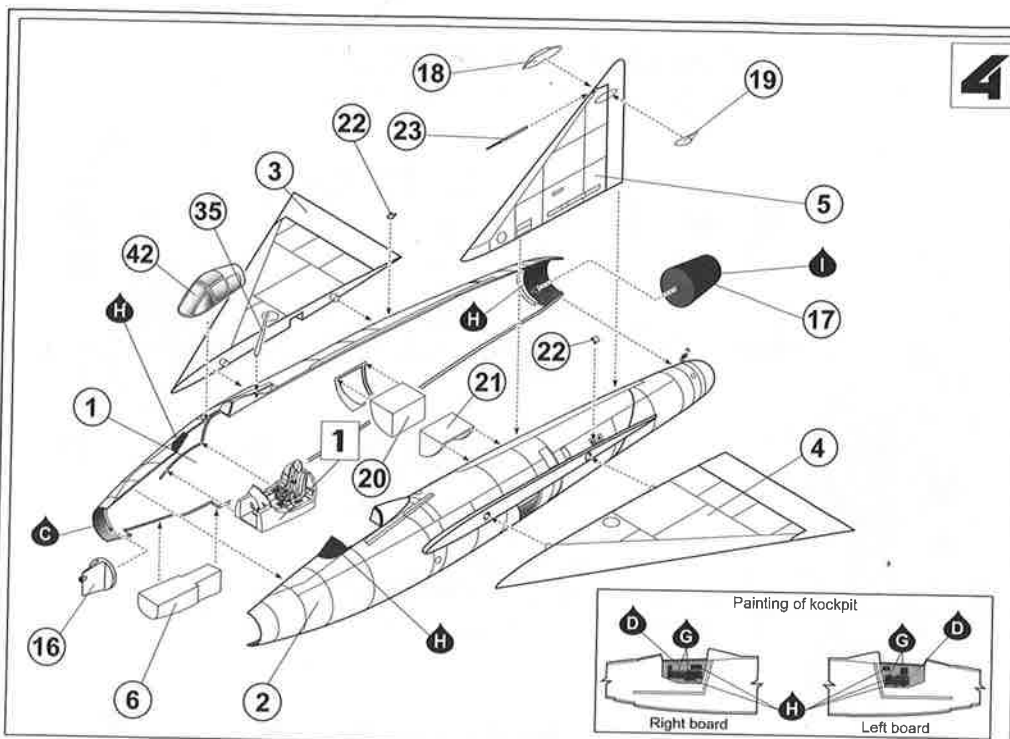
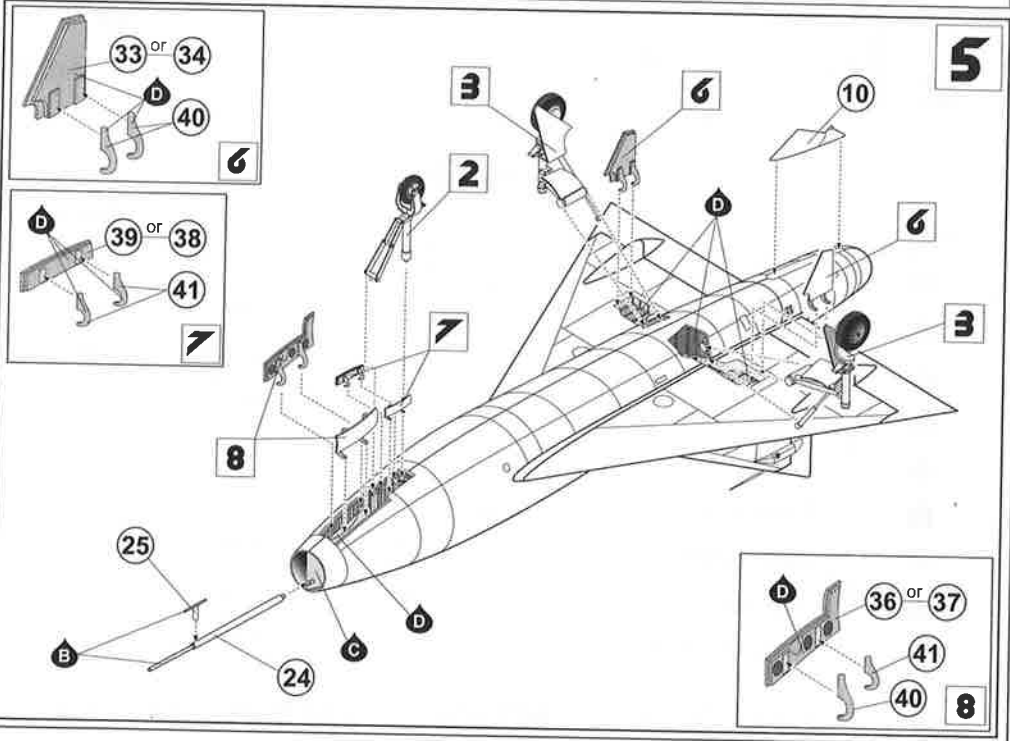


2



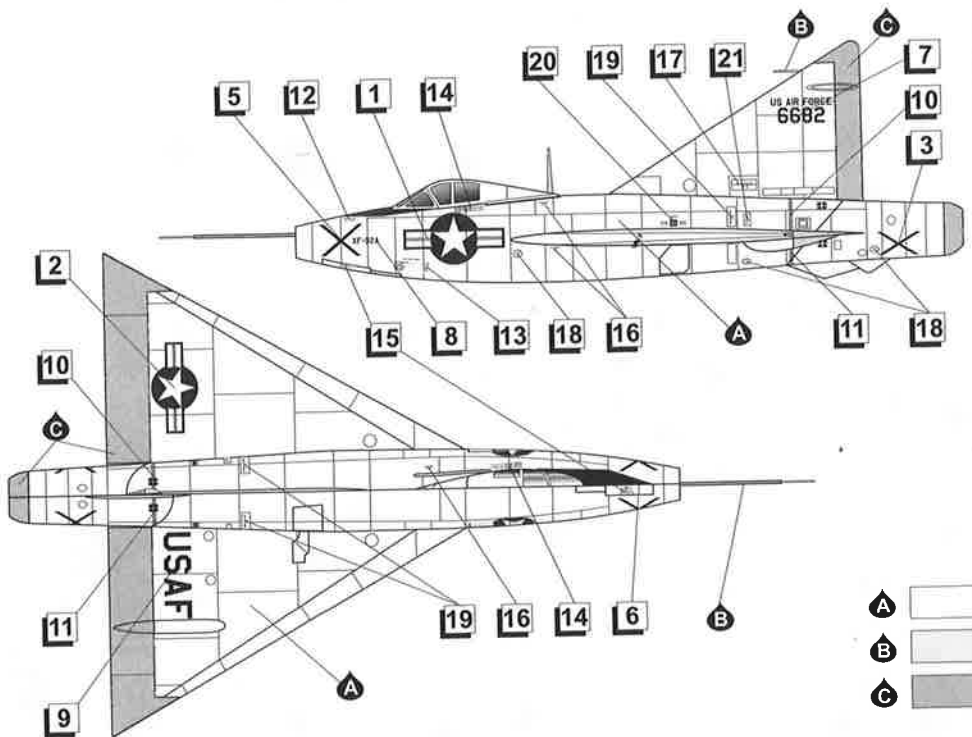
3



4**5**

CONVAIR XF-92A "DELTA"

NACA, Edwards Air Force Base, 1953



USED PAINTS

Symbol	Name	Humbrol	Model Master	Revell
A	Gloss white	022	1596	04
B	Chrome silver	191	1546	90
C	Steel	27003	1780	91
D	Interior green	151	1715	—
E	Brown	062	1533	82
F	Khaki drab	159	1742	86
G	Gloss black	021	1747	07
H	Flat black	033	1749	08
I	Metallick black	201	1406	—