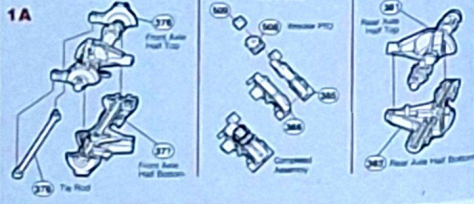


CHASSIS

- 1A** Assemble the Front Axle Top (#376) and Front Axle Bottom (#377); add the Tie Rod (#378).

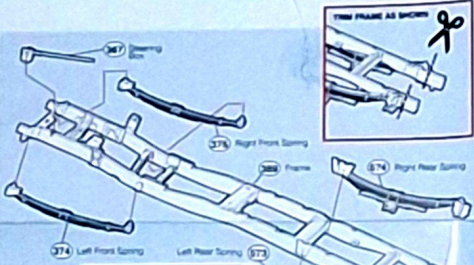
Open blind slot in Transfer Case part #385 assemble Transfer Case (#385 & #386) then add Wrecker PTD (#508 & 509) - set Transfer case assembly aside.

Assemble the Rear Axle Half Top (#381) and Rear Axle Half Bottom (#382)



- 1B** Cement the Steering Box (#367) to the Frame (#389). Cement the Right Front Spring (#375) and the Left Front Spring (#374) to the Frame (#389). Cement Right Rear Spring (#574) and Left Rear Spring (#573) to Frame (#389).

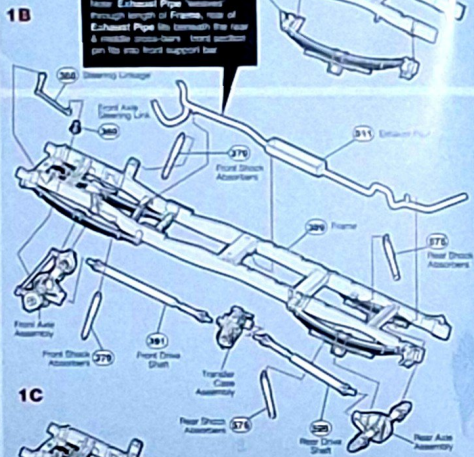
IMPORTANT: Shorten the rear of the frame rails by trimming the Frame (#389) behind each rear spring. See insert illustration. (This will be required for the wrecker bed to fit the frame.)



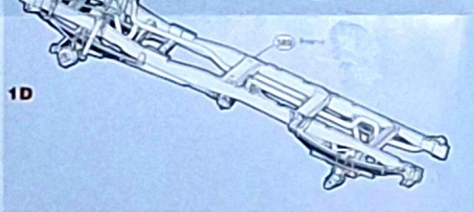
- 1C** Cement the Steering Linkage (#368) to Front Axle Steering Link (#369) then cement this to the Front Axle Assembly. The Front Axle Assembly will attach to the Front Springs/Frame from below and then cement each of the Front Shock Absorbers (#379) x2 in place.

Cement the Exhaust Pipe (#511) (see Note) into the Frame (#389).

Cement the Rear Shock Absorbers (#575) x2 in place as you cement the Rear Axle Assembly to the Rear Springs/Frame



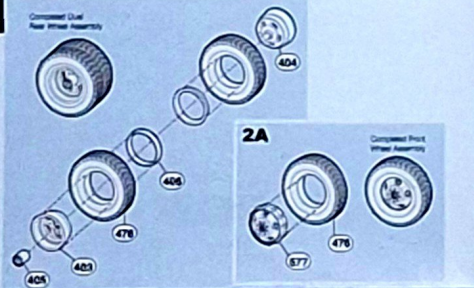
- 1D** Cement the Rear Drive Shaft (#526) and Front Drive Shaft (#391) to Transfer Case Assembly. This attaches in place between the Front Axle Assembly and the Rear Axle Assembly.



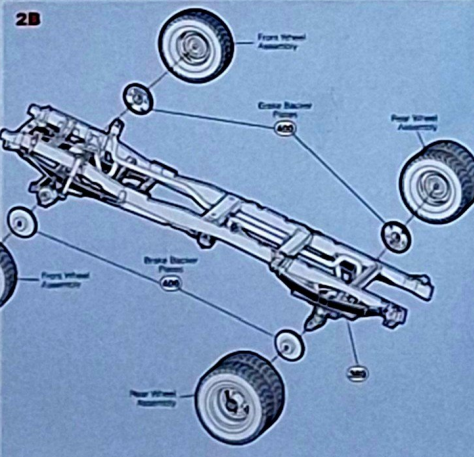
WHEELS

- 2A** Assemble two Front Wheels by inserting Wheel (#577) into Tires (#476)

Assemble two Rear Dual Wheels by inserting two Outer Wheels (#403) into Tires (#476) followed by inserting Rear Wheel Fitting (#406) then insert two Inner Wheels (#404) into Tires (#476) and add Wheel Fitting (#406) then cement each Outer Wheel Assembly to each Inner Wheel Assembly finally cement an Axle Hub (#405) to each protruding pin in center of Outer Wheel.



- 2B** Cement Brake Backer Plates (#400) (x4) to Front and Rear Axles. Cement Front and Rear Wheel Assemblies to Axles.



KIT NO. 2598



IMPORTANT - READ THIS FIRST

Before assembling model, study pictures carefully. These instructions include detailed drawings and images of an actual build-up for reference. You can also refer to photos on the packaging.

In addition, you will find the following tips helpful:

This model kit is made of styrene plastic - use only styrene-compatible glues or cements. Apply cement to the inside surfaces only; avoid getting cement on outer surfaces of model sections. Use cement sparingly and avoid getting cement on hands, so as not to mar or smear plastic surfaces. Do not hurry; work carefully and patiently. Before cementing, it is advisable to assemble parts dry (without cement) so that you may become familiar with parts and fit, noting points where cement is to be applied. The final assembly model in the order indicated.

PAINT YOUR KIT

This model kit is made for use on plastic. If you are unsure, test paint on scrap pieces of styrene before applying it to kit parts. This model is designed to be built in sub-assemblies. We would suggest that it is best to paint each sub-assembly separately before final assembly of the kit. In certain cases it may be a good idea to paint some parts during assembly. For example, it will be easiest to paint and decal the assembled dash and wheels before cementing them in place on the floor, which can also be painted before assembly.

DECAL APPLICATION

Details have been provided to ensure the utmost detail and authenticity. It may also be easiest to apply decals to sub-assemblies. Apply decals only after paint is completely dry.

Dip the decal in water for 10 seconds. For best results, mix one drop of common dish washing detergent per cup of lukewarm water. Place the wet decal face up on a paper towel and wait 30-60 seconds until the decal is movable on paper backing. Wet the area of the model where decal will be applied. Hold the decal face up, in position on model and slide backing away from under it. Once positioned correctly, gently smooth out decal and absorb excess water with a paper towel, cotton swab or clean, soft paintbrush. Let decals dry completely before applying any sort of dull coat or gloss coat to decal area, if desired.

ENGINE

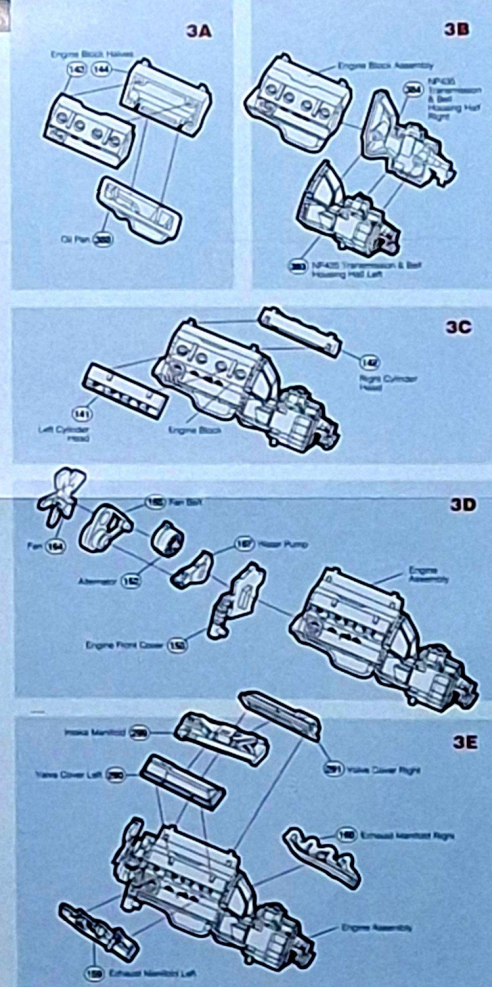
- 3A** Assemble the Engine Block Halves (#143 & #144) and add Oil Pan (#358).

- 3B** Assemble NP435 Transmission & Bell Housing Halves (#383 & #394) and cement the Transmission to Engine Block Assembly.

- 3C** Add Left Cylinder Head (#141) and Right Cylinder Head (#142) to the Engine Block.

- 3D** Cement Front Cover (#153) to front of the Engine Assembly, followed by Water Pump (#167), Fan Belt (#165), and Fan (#164). Cement Alternator (#152) to Fan Belt.

- 3E** Cement Intake Manifold (#299) to top of Engine. Add Valve Covers Left (#290) and Right (#291) and Exhaust Manifolds Left (#159) and Right (#160).



ENGINE continued

3F Cement Distributor (#154), Ignition Coil (#155) and Carburetor (#283) to Intake Manifold.

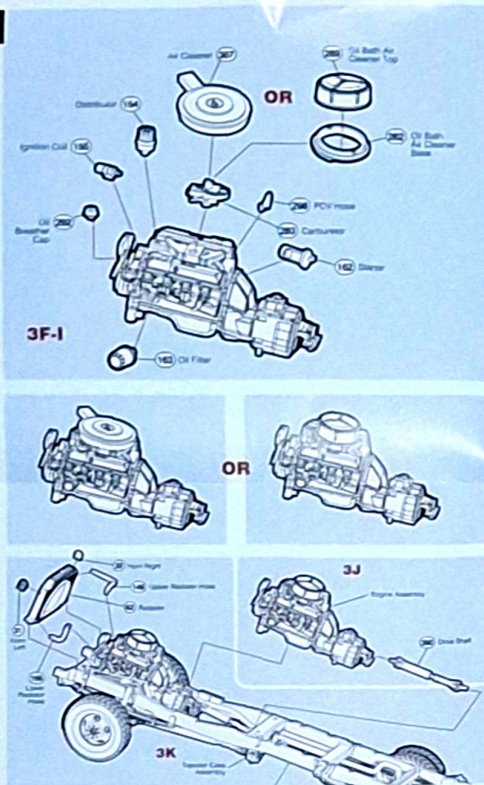
3G Add Oil Breather Cap (#292) to Left Valve Cover; add PCV Hose (#298) to Right Valve Cover.

3H Add Oil Filter (#163) to the left side of the Engine; add Starter (#162) to right side.

3I Cement Air Cleaner (#387) or Oil Bath Air Cleaner (289) after cementing it to the Oil Bath Air Cleaner Base (282).

3J Cement Drive Shaft (#390) in place between Transfer Case Assembly and Engine; then cement the Engine into Chassis. NOTE: Radiator and Hoses need to be added after Engine is installed into Frame.

3K Cement Horns Left (#31) and Right (#32) to Radiator (#62). Add Upper Radiator Hose (#149) and Lower Radiator Hose (#166) and install Radiator to Frame.



CAB BODY

4A Open five (5) blind holes for Cab Top Lights (#407) in cab roof. Cement Sun Visors (#49) and Rearview Mirror (#114) to the ceiling of Cab (#1).

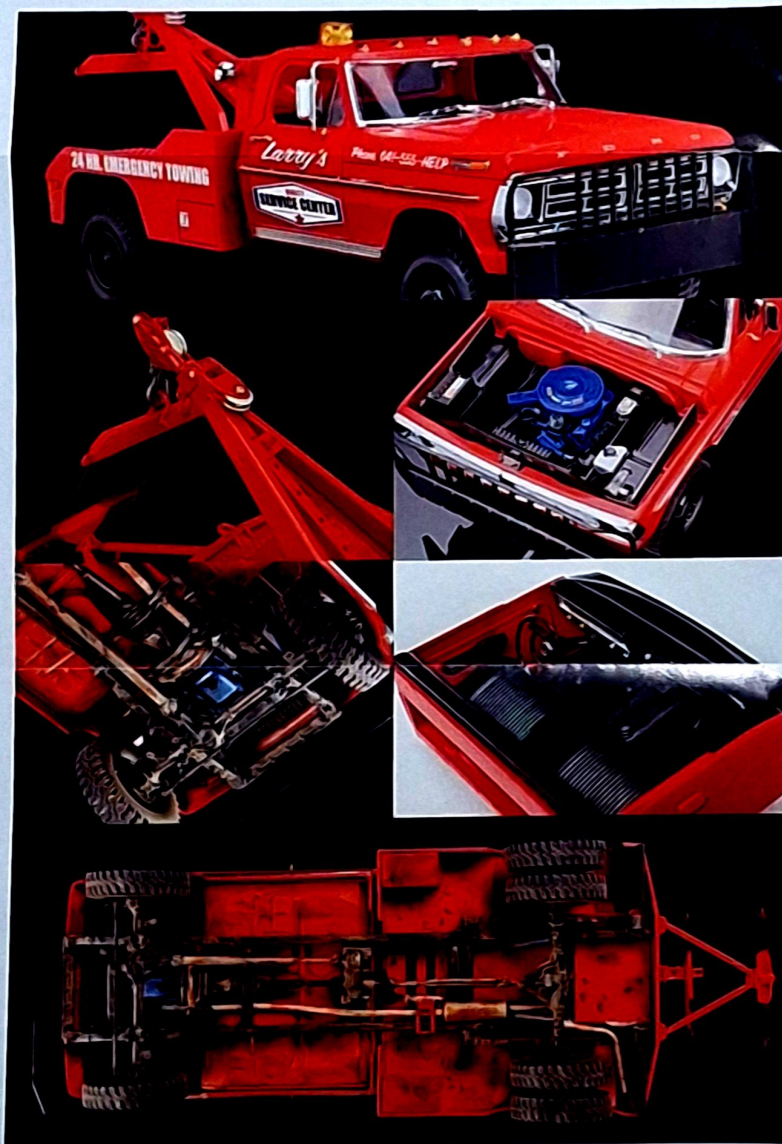
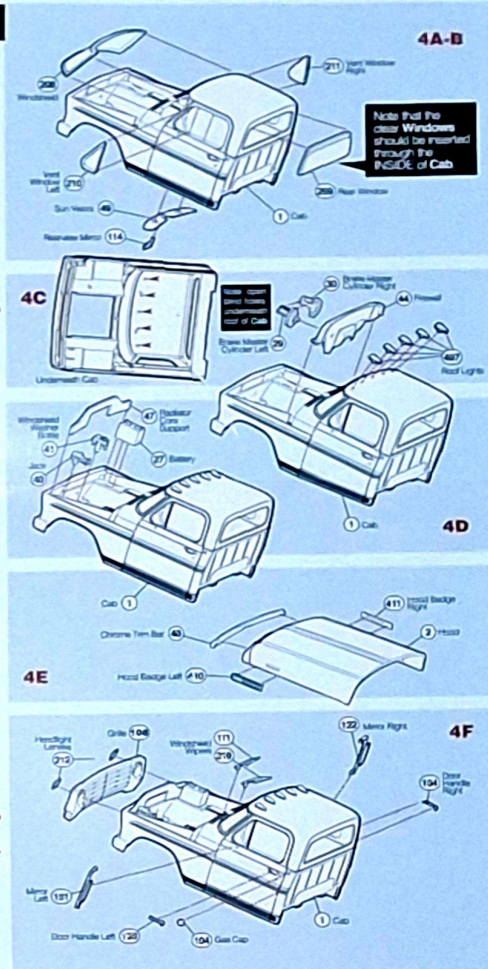
4B Cement Rear Window (#209), Windshield (#208) and Vent Windows Left (#210) and Right (#211) in place.

4C Assemble the Brake Master Cylinder (#29 & #30) and install it to the Firewall (#44). Cement Firewall into Cab (#1). Cement Roof Lights (#407) in place.

4D Cement the Battery (#27), Jack (#28) and Fuel Bottle (#29) to the support structure in the Compartment of Cab (#1).

4E Cement F-350 Hood Badges Left (#410) and Right (#411) to Hood (#2); add Chrome Trim Bar (#48) to front of Hood.

4F Cement Windshield Wipers Left (#111) and Right (#219) in place along with Mirrors Left (#121) and Right (#122), Door Handles Left (#133) and Right (#134) and Gas Cap (#104). Cement Grille (#108) to Cab and add Headlight Lenses (#212). Set the Cab Assembly aside for now.



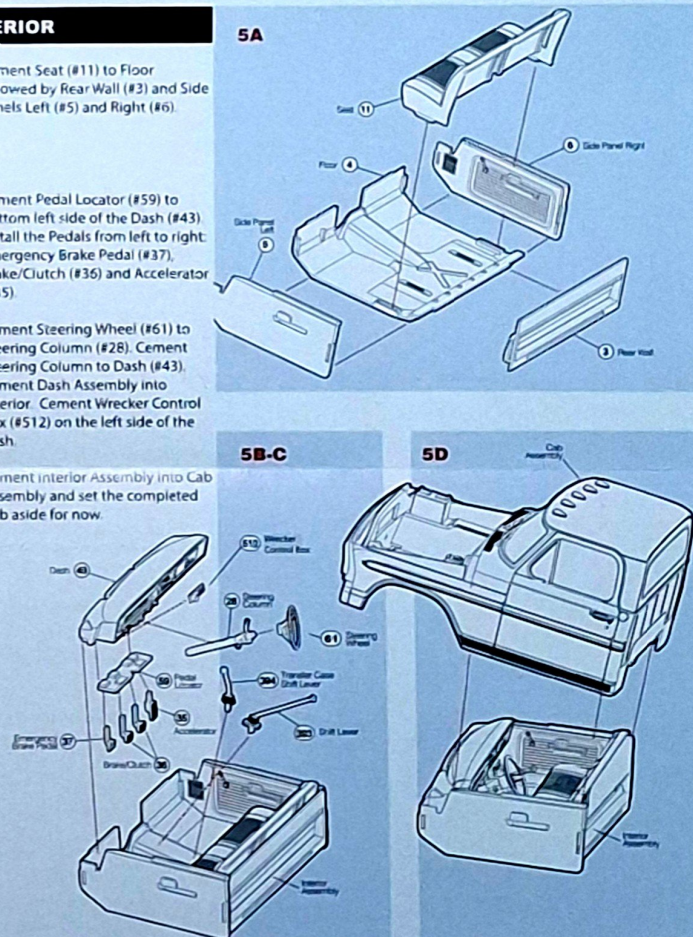
INTERIOR

5A Cement Seat (#11) to Floor followed by Rear Wall (#3) and Side Panels Left (#5) and Right (#6).

Cement Pedal Locator (#59) to bottom left side of the Dash (#43). Install the Pedals from left to right: Emergency Brake Pedal (#37), Brake/Clutch (#36) and Accelerator (#35).

5C Cement Steering Wheel (#61) to Steering Column (#28). Cement Steering Column to Dash (#43). Cement Dash Assembly into Interior. Cement Wrecker Control Box (#512) on the left side of the dash.

5D Cement interior Assembly into Cab Assembly and set the completed Cab aside for now.



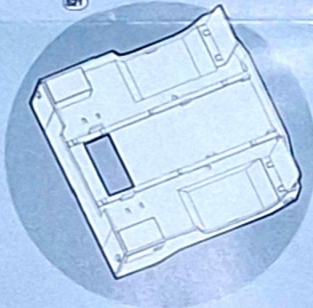
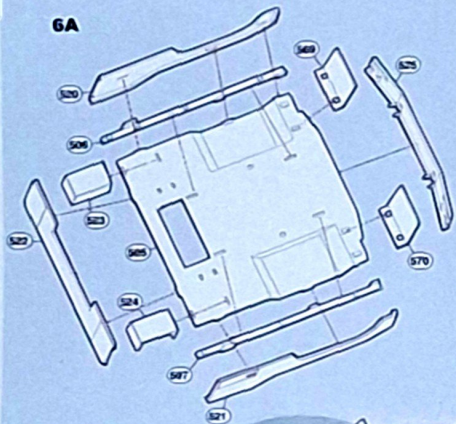
WRECKER BODY

6A Assemble the Wrecker Body by cementing Locator Bars #506 Left and #507 Right to Wrecker Body Floor #505.

Cement Body Left Side #520 to Floor #505 followed by Body Front #522 then add Body Right Side #521 and Body Rear #525

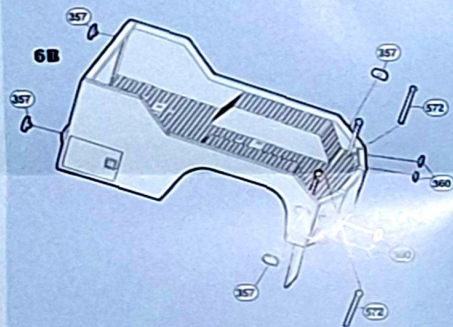
Cement Tool Boxes Left #523 and Right #524 in place at front corners of Floor #505

Finish by cementing Mud Flaps #569 Left and #570 Right to Floor then set the assembled Wrecker Body aside for now



6B Add Clear Corner Lights #357 (x4) and clear Tail Light Lenses #360 (x4) to the wrecker body

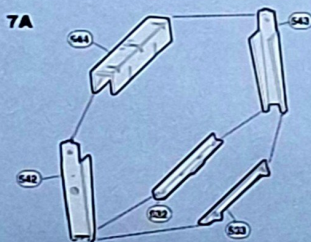
Add Control Lever parts #572 (x2)



WRECKER TOWER

7A Assemble the Wrecker Tower by cementing Tower Uprights #542 left and #543 right to Tower Top #544 taking care to make sure that Uprights are square to Tower Top

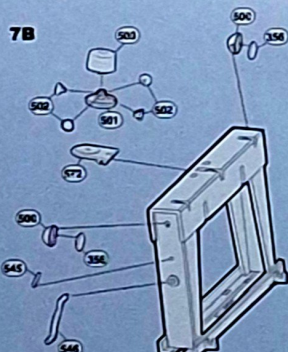
Add Tower Bottom Angle Irons #532 front and #533 rear



7B Add Boom Adjustment Crank #546 and Boom Adjustment Latch Lever #545 to Right Side Upright #542 and Emergency Beacon Base #572 to Tower Top

Add CHROME BEACON LIGHTS #502 (x4) to the CHROME BEACON BASE #501. Glue the CLEAR BEACON LENSE #503 to the top of the CHROME BEACON BASE, the glue the entire BEACON LIGHT ASSEMBLY to the EMERGENCY BEACON BASE #572 as shown.

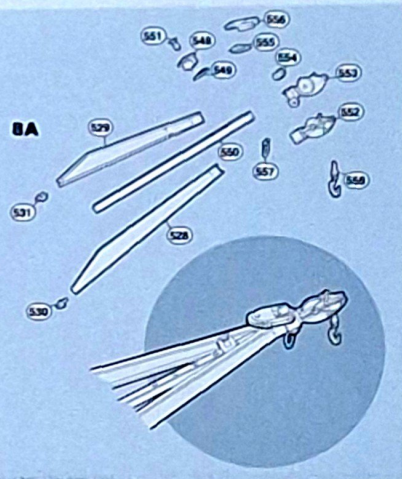
Add the TOWER SPOT LIGHTS #500 (x2) to the TOWER, then add the SPOTLIGHT LENSES #356 (x2) to the TOWER SPOT LIGHTS.



WRECKER BOOM

8A Assemble the WRECKER BOOM by cementing BOOM END PULLEY HALVES #552 & #553 together, then add BOOM SLIDER BEAM #550 and snap EYE BOLT #557 into place. Cement BOOM MAIN BEAM CONNECTOR HALVES #548 UPPER to #549 LOWER, then attach BOOM MAIN BEAMS #528 LEFT and #529 RIGHT to the CONNECTOR taking care to make sure that the MAIN BEAMS meet without gaps.

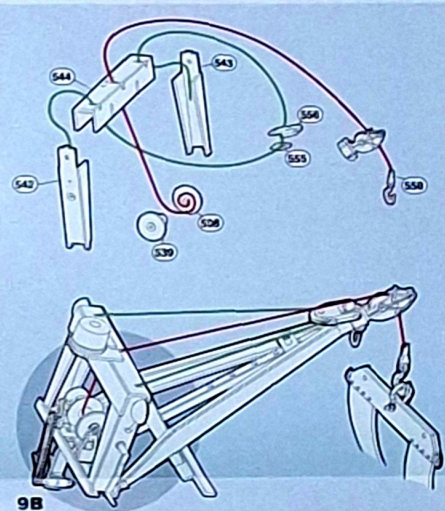
After cement has set completely, finish the assembly by adding WRECKER BOOM HINGES #530 LEFT and #531 RIGHT, adding the T-HANDLE LOCK #551 and sliding, (not cementing) part #550 into the MAIN BOOM ASSEMBLY. Assemble BOOM PULLEY parts #554, #555, & #556. When attaching to the BOOM YOLK parts (#552 & #553) be careful to only trap part #556 under it, and not glue it in place. It will need to adjust to match position of cable for boom. Set the BOOM ASSEMBLY aside for now.



OPTIONAL RIGGING

If you plan to use your wrecker with cables like the real vehicle - Attach an 16" inch length of the thread - (provided in the kit) by tying a knot in one end and inserting it into the CABLE DRUM part #539, glue the CABLE DRUM END PLATE #538 in place with thread exiting through notch in #539 wind thread around the drum leaving a minimum of 10 inches free to pass over the pulley at the end of the wrecker boom. (See pink line)

If you are adding the cable rigging for the WRECKER BOOM to your model, start by attaching one end of an 18 inch long piece of cable material provided in the kit to the inside of right side tower upright with a little CA adhesive, then pass



the cable through the right side tower upright, then pass the cable through the BOOM TOP PULLEY #555 bottom and #556 top trapping the cable between the two parts, now pass the loose end of the cable down through the left side hole in the TOWER TOP and then, Out through the open hole for the TOWER SPOTLIGHT in the left TOWER UPRIGHT then tape the loose end to the TOWER. (See green line)

WINCH and SLING

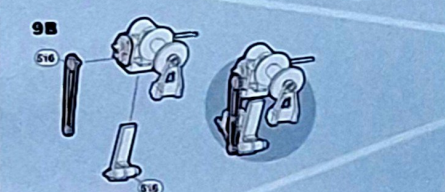
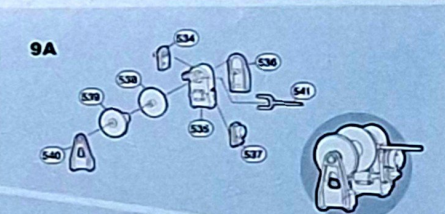
9A Assemble WINCH by cementing WINCH DRIVE parts #535 to #536 and adding parts #534, #537 & #541. Then assemble the WINCH DRUM parts #538 & #539, cement the DRUM to the WINCH DRIVE, insert do not glue the WINCH SIDE part #540 into the DRUM. Set the assembled Winch aside for now

9B See notes >

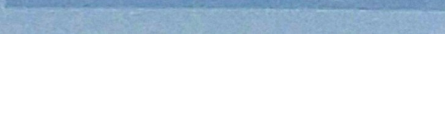
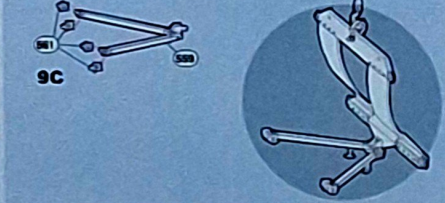
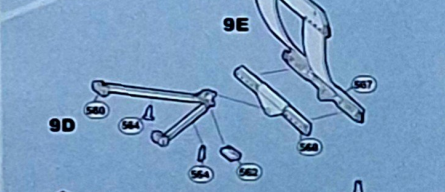
9C OPTION #1 Poseable SLING - if you wish to make the SLING ASSEMBLY on the rear of the Wrecker you must choose the following parts A-FRAME part #559 and 4x HINGE HALF part #561, to allow the A-FRAME to move up and down, assemble HINGES to pins on A-FRAME taking care to avoid getting glue on pins - then carefully cement hinges to REAR PANEL of WRECKER BODY.

9D OPTION #2 Fixed position for SLING - Simply choose A-FRAME part #560 and cement it in place.

9E Add A-FRAME BOTTOM DETAIL part #562, T-HANDLES part #564 to A-FRAME. Assemble SLING parts #567 & #568 snap - do not glue EYE BOLT part #557 into hole at center of SLING top bar - set SLING assembly aside for now.



reference 9D, 10A, and 11A to see how the drive chain #516 and winch drive motor #215 fit through the wrecker bed and connect to the transfer case



FINAL ASSEMBLY

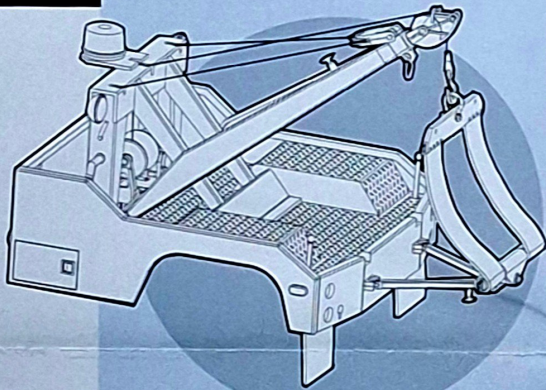
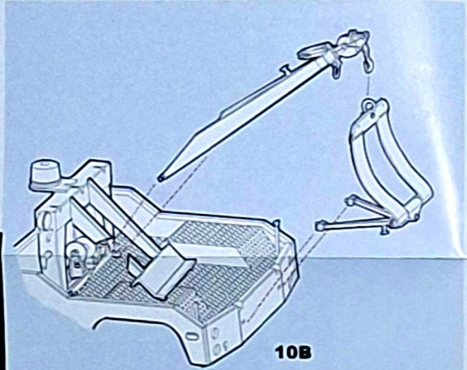
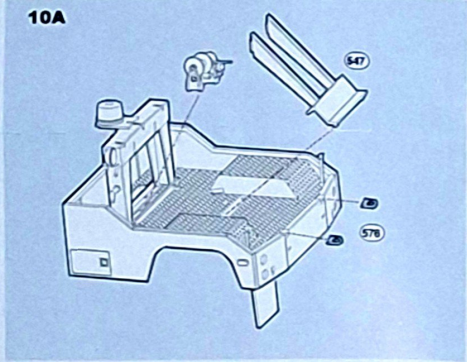
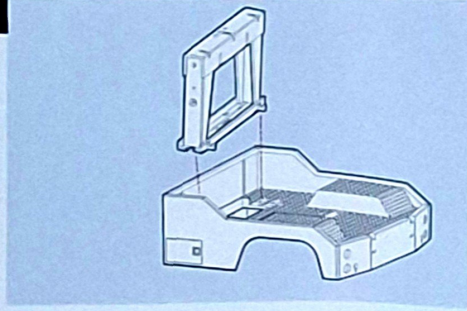
10A Add assembled WINCH to assembled TOWER, then cement assembled TOWER in place on WRECKER BODY. Add the TOWER SUPPORT #547 to the bed floor. Add the CHAIN TIE DOWNS #576 to rear panel on the assembled WRECKER BODY.

(See 9B, 10A and 11A)
Cement the WINCH DRIVE MOTOR part #515 into slot in TOWER ASSEMBLY then add DRIVE CHAIN part #516 through the floor attaching it to #515 and locator pin on back of WINCH ASSEMBLY.

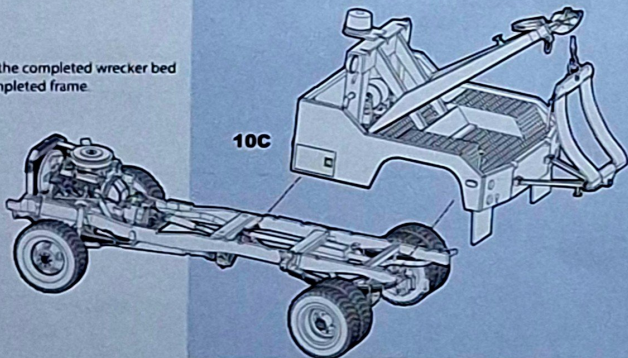
10B Attach BOOM HINGES to HINGE POINTS at base of TOWER ASSEMBLY - cement HOOK part #558 to EYE-BOLT on SLING and END PULLEY of BOOM

CHAIN & J-HOOK

Your kit includes an optional length of chain and J-hooks to use for display. Attach chain to J-hook by gently opening the end link and slipping it over the hole in the J-hook. Place on kit wherever you want it positioned.

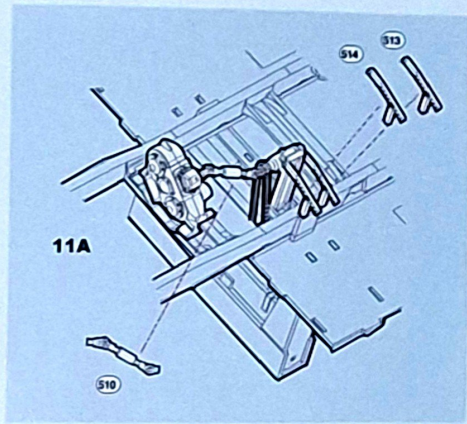


10C Attach the completed wrecker bed to the completed frame.



11A Turn assembled Truck over to add the WINCH DRIVE SHAFT #510 to bottom drive sprocket of DRIVE CHAIN and PTO on TRANSFER CASE.

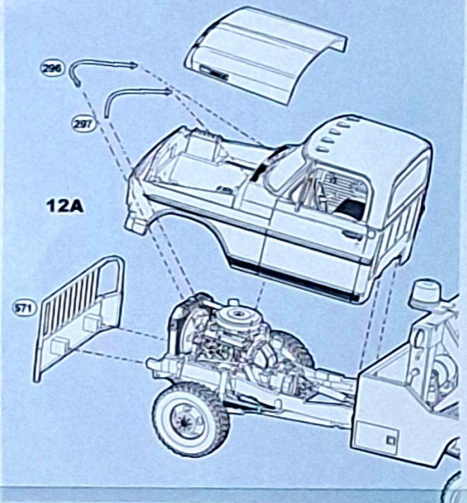
Finish by adding WINCH DRIVE BRACES parts #513 - front and #514 rear.



CAB ASSEMBLY

12A Cement the Cab Assembly and the Bed Assembly to Chassis. Add HEATER HOSES (#296) and (#297). Add FRONT BUMPER (#571).

Set HOOD in place.



1972 FORD TRUCK PAINT COLORS*

	Holly Green		Wind Blue		Brook Blue Poly
	Rangoon Red		Baja Beige		Grabber Blue
	Pure White		Tampico Yellow		Sequoia Brown Poly
	Light Blue		Calypso Coral		Swiss Aqua
	Wimbledon White		Shenandoah Green		Bahama Blue
	Scandia Green Poly		Fiesta Tan		Seapine Green Poly
	Raven Black		Chelsea Green Poly		Candy Apple Red
	Royal Maroon		Mallard Green		Marlin Blue
	Light Golden Rod		Hot Ginger Poly		Winter Green
	Yuma Yellow		Medium Lime Poly		Mill Valley Green

*IMPORTANT: Please note that colors shown are approximations limited by standard printing processes and are for general reference only. For those desiring greater accuracy, you may wish to consult vintage auto paint sources or vintage brochures for more precise color reference.



Ford Motor Company Trademarks and Trade Dress used under license by Moebius Models, Upland, California. All Rights Reserved. Made and Printed in China. Model shown was built and finished by a professional modeler. Glue and paint required for assembly - sold separately.



MISSING PARTS?

For missing, lost or replacement parts, please contact us at customerservice@moebiusmodels.com. Please have kit number and part number ready. Missing parts are shipped at no charge. Lost parts and replacement parts are required for a small charge. A shipping and handling fee is required in all cases.