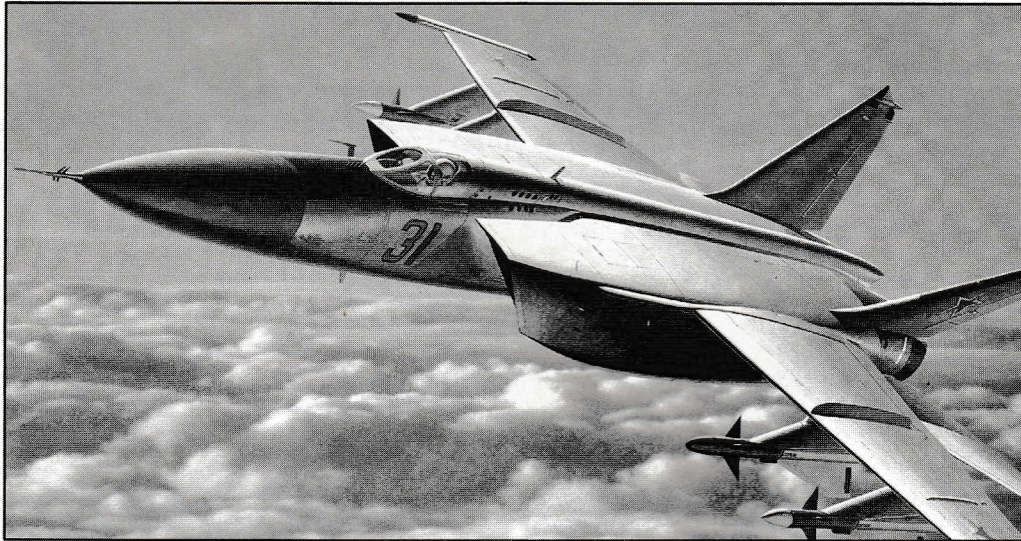


MIKOYAN MIG-25



Mig -25 Foxbat is a high speed interceptor of Russian Air Force designed to cope with the American XB-70Valkyrie supersonic bomber. The first flight is said to be made in early 1964. The E-266 which established the record of speed , altitude, climbing rate after 1965 is supposed to be the same aircraft as the Mig -25.The Mig -25 has been remarked as one of the world its excellent climbing capability and maneuverability in high altitude and its speed of March 3.

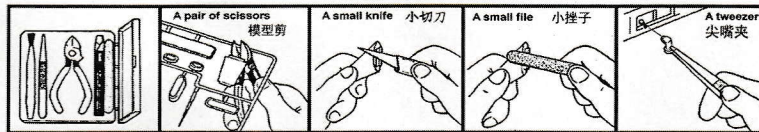
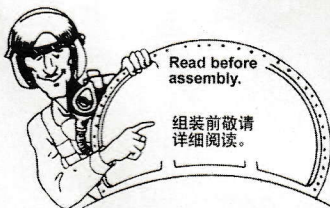
<Date>

Crew:1 Wingspan:14.m Length:22.3m Height:6.1m Max. take-off weight:36,200kg
Turbofan: Tumansky RD-31 Thrust: 9,300kg (12,300kg with A/B)X2
Max. speed: March 3/18,300m Fixed armament: None

米格-25“狐蝠”是俄罗斯空军的一种高速截击机，设计对付美国的XB-70韦基式超音速轰炸机。第一次飞行据说是在1964年的年初。1965年后创下了速度、高度和爬升比率记录的E-266飞机按估计是和米格-25相同的飞机。米格-25战机以它优越的爬升能力，在高空搏斗能力及其马赫3倍的高速度，使它成为了世界上最杰出的战机之一。本模型栩栩如生地再现了米格-25的风姿，最适合想像力丰富的您制作、收藏。

诸元:

乘员: 1 翼展: 14.0公尺 全长: 22.3公尺 高度: 6.1公尺
最大离陆重量: 36,200公斤 引擎: 杜曼斯基RD-31 推力: 9,300公斤
最高速度: 马赫3/18,300公尺 固定武装: 无



Please get the useful tools ready. Remove parts from frame with a pair of scissors and trim away excess plastic. Do not pull off parts. Use cement sparingly to avoid damaging the model. please tear the plastic bag of this product to avoid children putting their heads into the bag. Do not put the parts into your mouth.

使用工具应小心，注意安全。用模型剪从注塑片中取出零件，修去多余料头及飞边，勿拔取零件。使用模型胶勿过量，不得近火源。商品的空袋为了不让小孩套在头上请撕掉。禁止把零部件含入口中。



Cement parts
用胶粘接



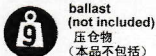
DO Not cement
不用胶粘接



Cut away
割去



Caution
特别注意



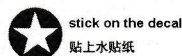
ballast
(not included)
压仓物
(本品不包括)



Optional parts
可选的部分

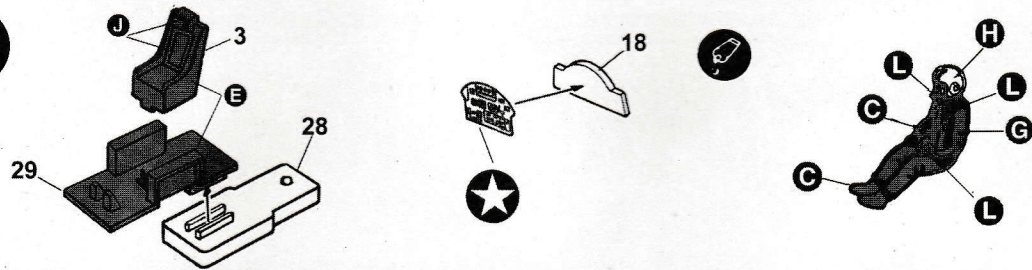


Repeat operation
重复操作

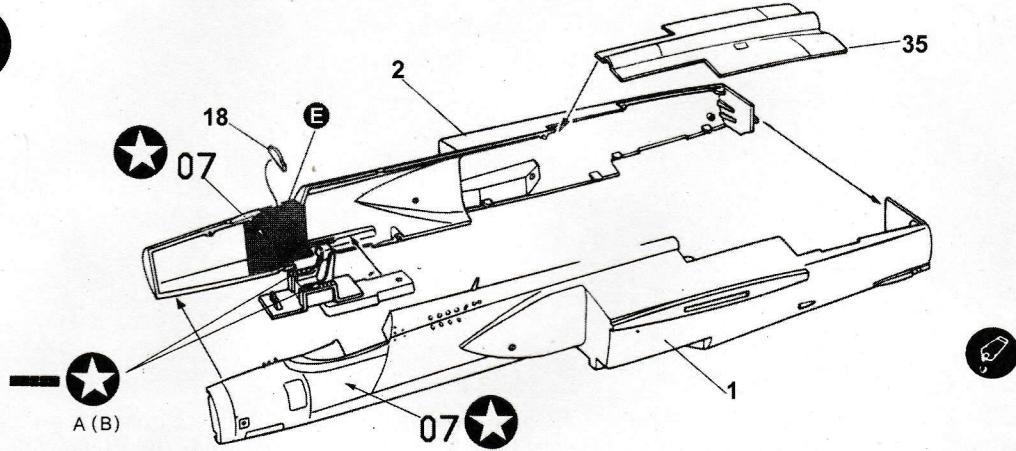


stick on the decal
贴水上贴纸

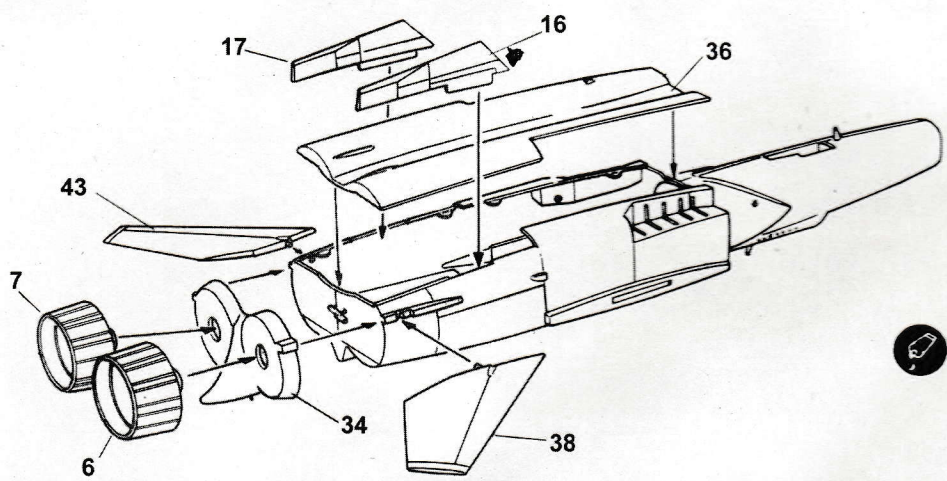
1



2

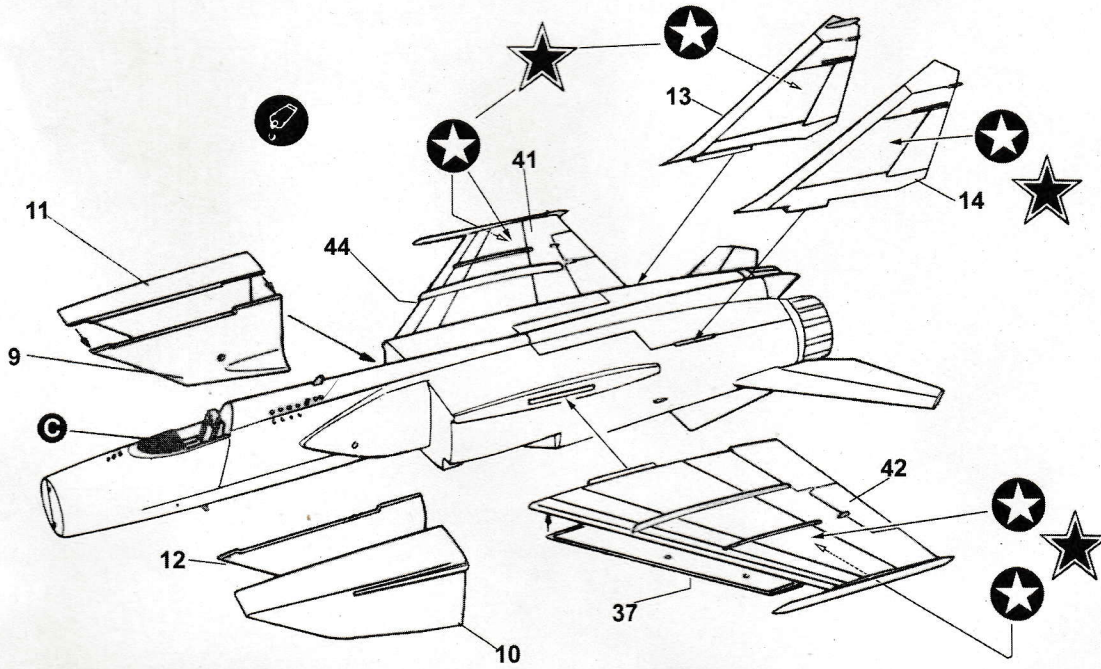


3

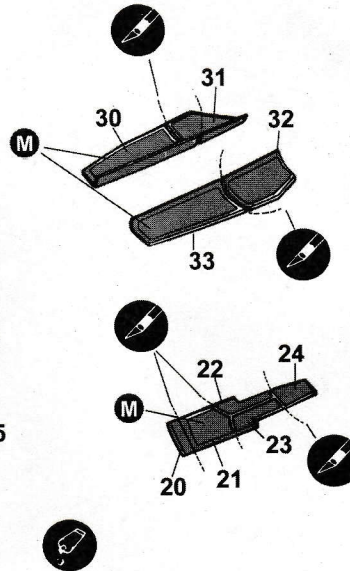
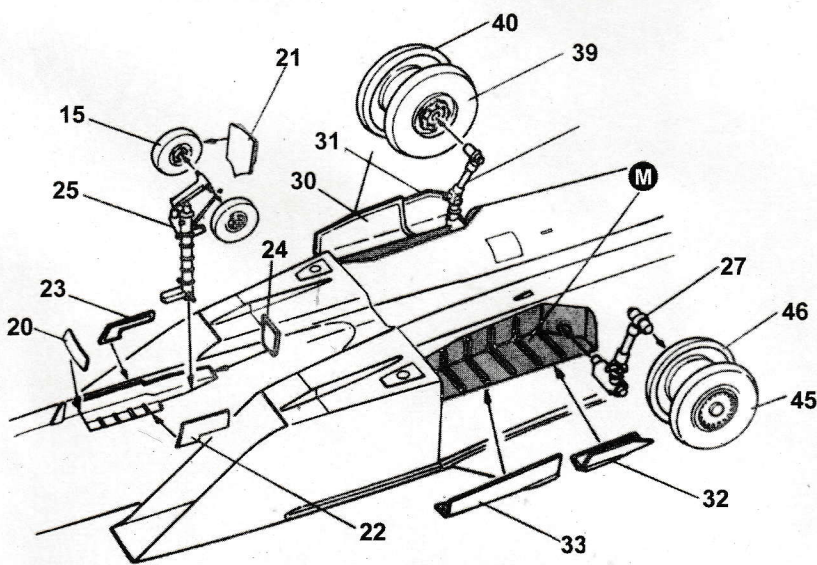
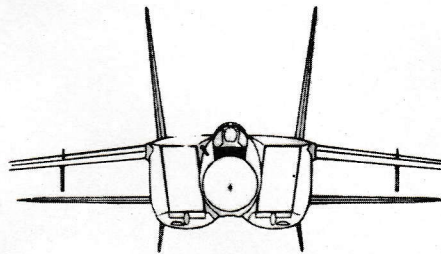
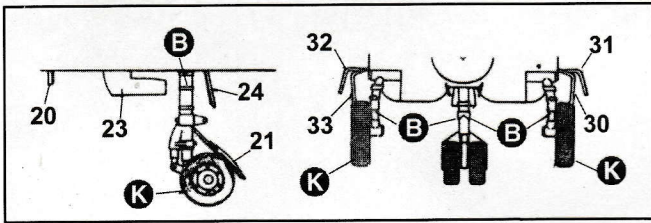


A	black	schwarz	noir	nero	黑色	H	white	weiss	blanc	banco	白色
B	silver	silber	argent	argento	银色	I	red	rot	rouge	rosso	红色
C	flat black	mattschwarz	noir mat	nero opaco	哑黑色	J	bright green	hellgrun	vert vif	verde vivo	明绿色
D	steel	stahl	acier	acciaio	黑铁色	K	burnt iron	gebreisen	fer brule	ferro bruciato	烧铁色
E	aircraft gray	flugzeug grau	gris avion	grigio aviazione	飞机灰色	L	dark green	dunkel grun	vert fonce	verde scuro	深绿色
F	tire black	reifenschwarz	noir de pneu	nero pneumatico	胎黑色	M	neutral gray	neutral gray	neutral gray	grigio neutro	浅灰色
G	orange	orange	orange	arancio	橙色	N					

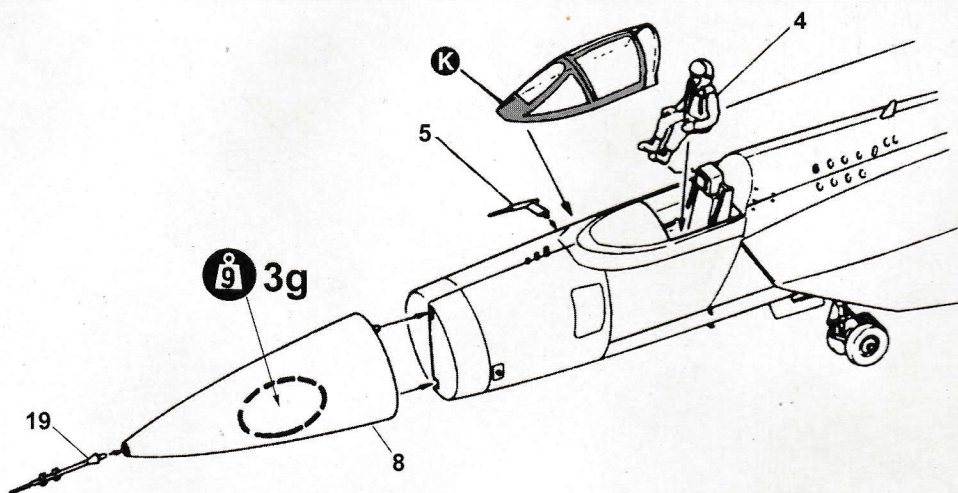
4



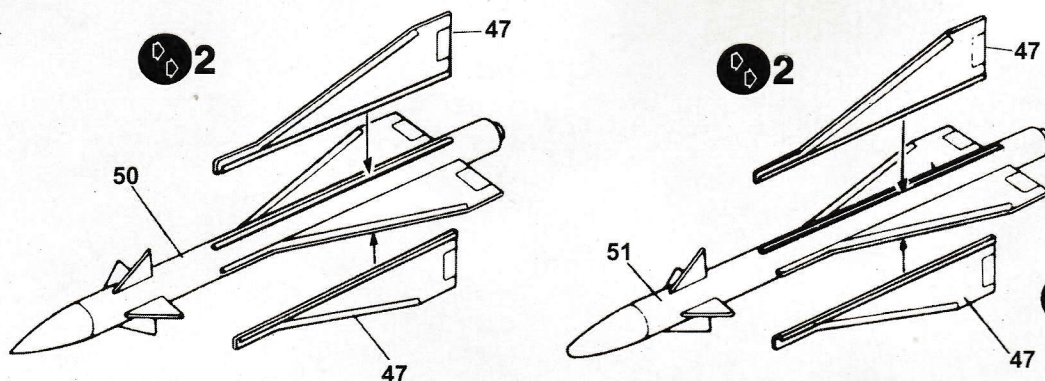
5



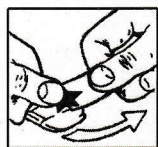
6



7



8



APPLYING DECALS

1. Cut off decal from sheet.
2. Dip the decal in tepid water for about 10 sec. and place on a clean cloth.
3. Hold the backing sheet edge and slide decal onto the model.
4. Move decal into position by wetting decal with finger.
5. Press decal gently down with a soft cloth until excess water and air bubbles are gone.

印花(印花水貼紙)應用

1. 由印花紙剪下印花
2. 將印花放入溫水中約10秒然後放于干淨布上
3. 將印花移入模型上
4. 手指沾水移放印花到位置
5. 用軟布輕輕壓印花直到水泡消失

