

INSTRUCTIONS  
1/35 VK35001

GERÄT 58

# 5,5 CM FLAK (VG2) GERÄT 58

## AUTOMATISCHE FLUGABWEHRKANONE

## 1/35 SCALE VK35001



Read carefully and fully understand the instructions before commencing assembly. Supervising adult should also read the instructions if a child assembles the model. When assembling this kit, tools including knives used. Extra care should be taken to avoid personal injury. Keep out of reach of small children. Children must not be allowed to suck any part, or pull vinyl bag over their heads.



make 2



fill



careful



optional



drill



cement



no cement



CA glue



cut



wait

### 5,5cm Flak (VG2) Gerät 58

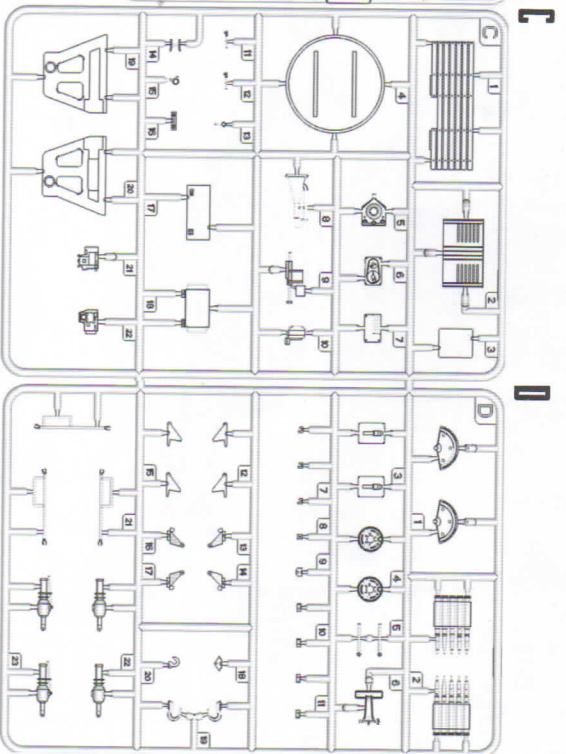
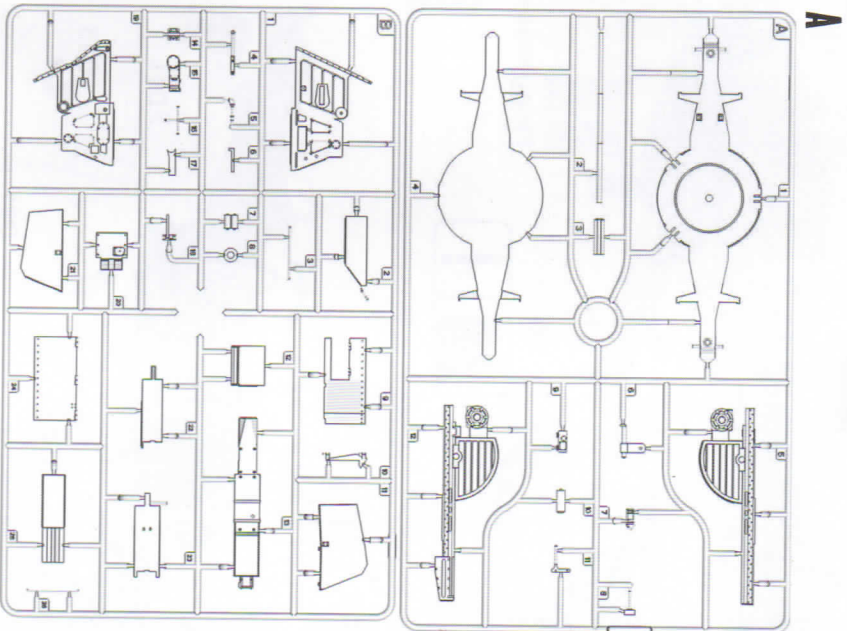
The German ministry of War demanded for a mid size calibre anti aircraft gun closing the gap between the calibres 3.7 cm and 8.8 cm. Besides the 5cm Flak 41 which has been introduced in November 1941. Rheinmetall-Borsig as well as Krupp started with the development of an automated weapon with the calibre 5,5cm in 1942. Although Krupp could present a smarter design which was 300 kg lighter than the prototype of the competitor, their testing result were not convincing. Consequently Rheinmetall improved their gun and finalized the weapon as version two (VG2) in 1943. The final version has been produced in February 1945 but there is no evidence that the gun ever saw action.

The existing trailer Sd.Ah. 204 was intended to move the gun which was mounted on a base with three hydraulic supports.

Technical data:

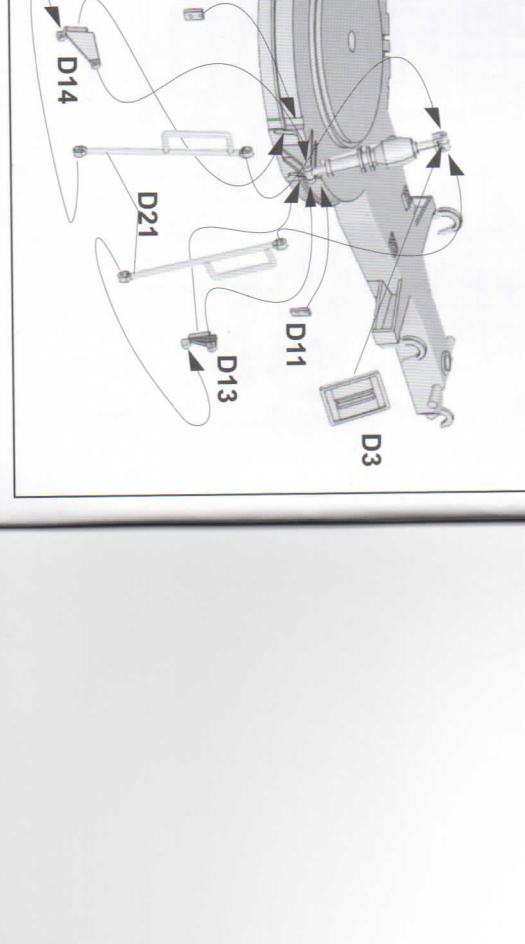
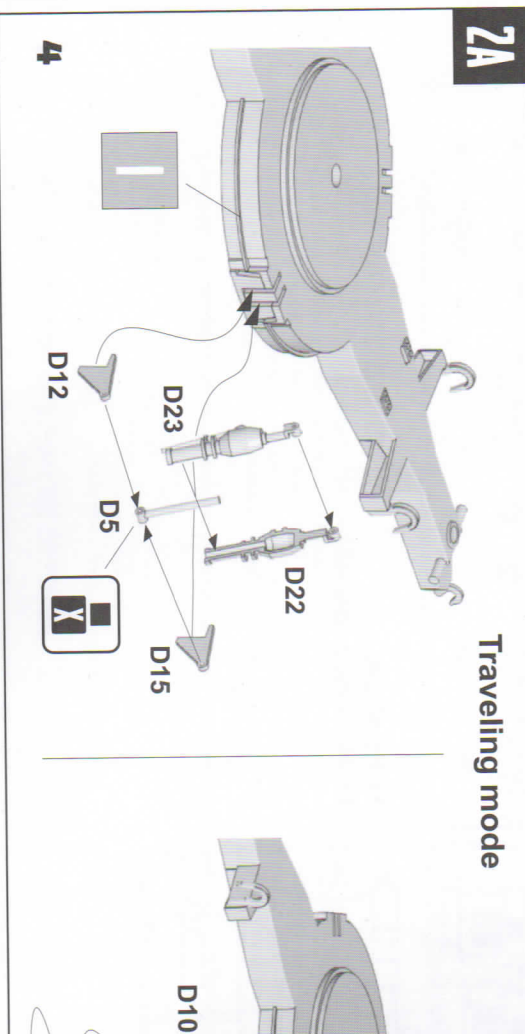
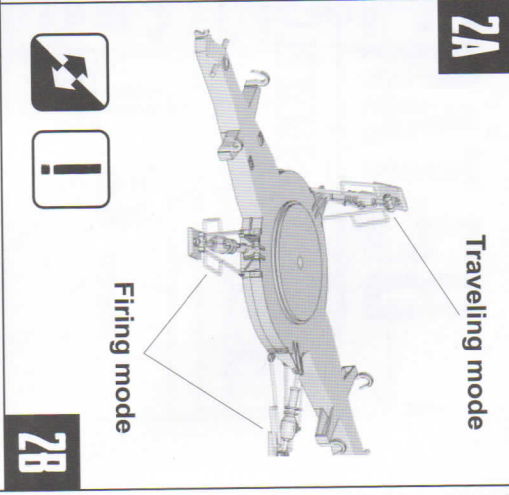
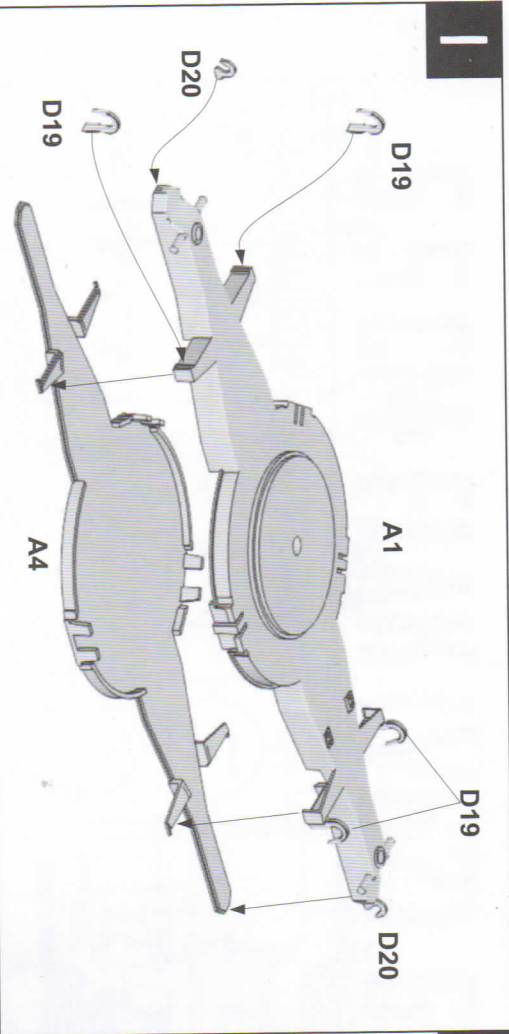
Calibre: 5.5 cm Fire rate: 120/min  
 Initial muzzle velocity: 1020 m/s Weight of gun (without base): 650 kg

Reference: Waffen Revue, No 25, August 1977, Pawlas Verlag



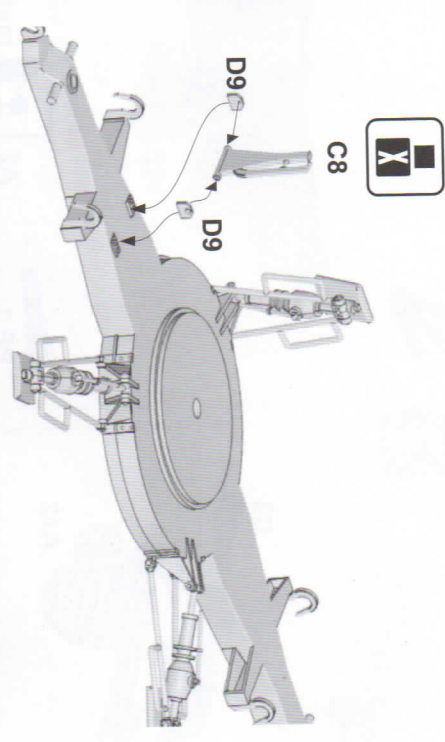
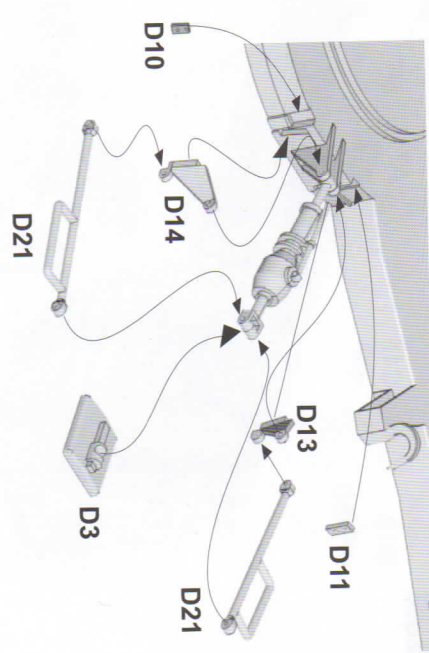
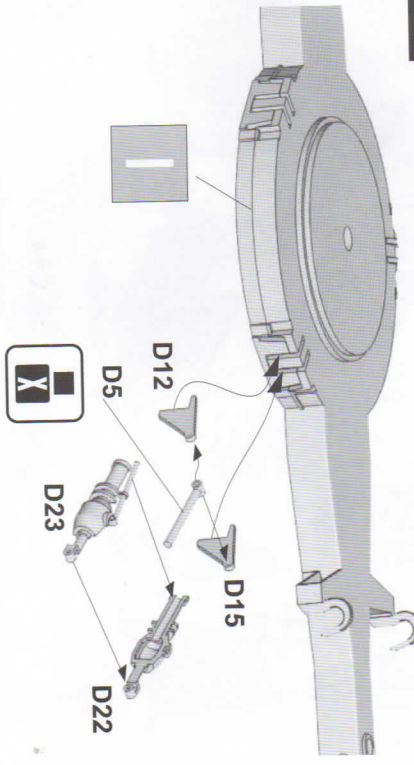
1x PE-sheet  
1x Aluminium Barrel

B

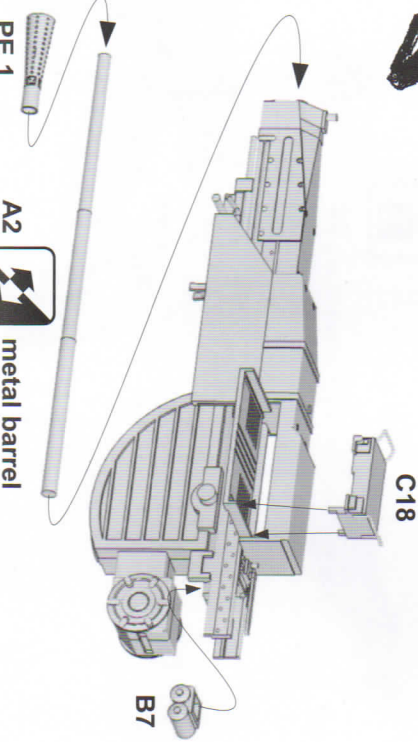
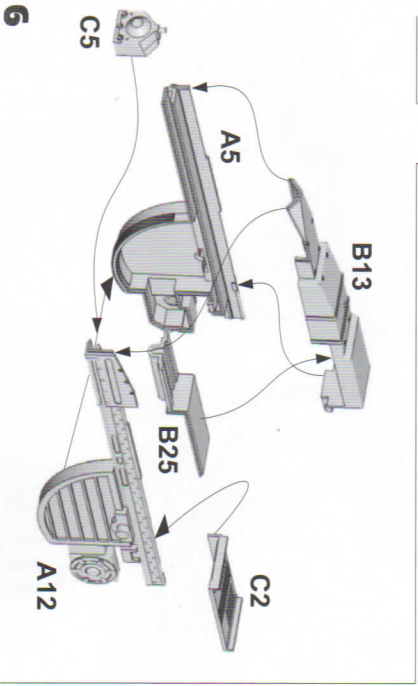
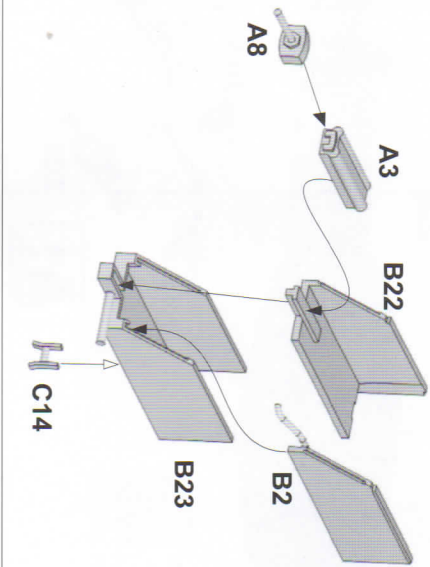
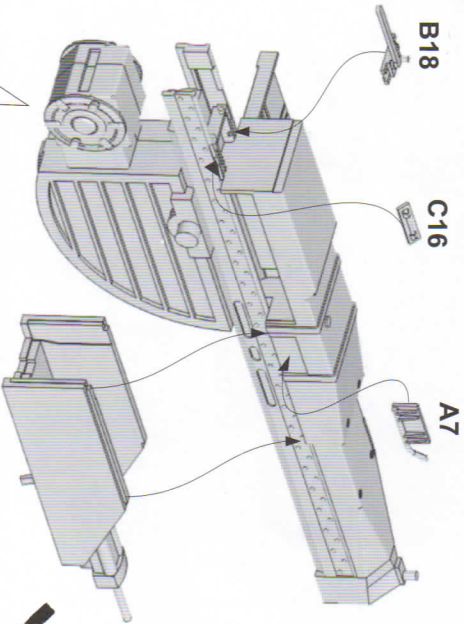


**Z8**

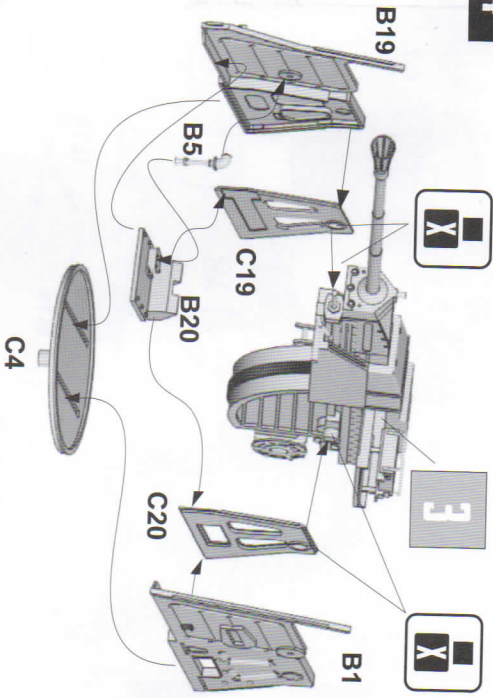
Firing mode



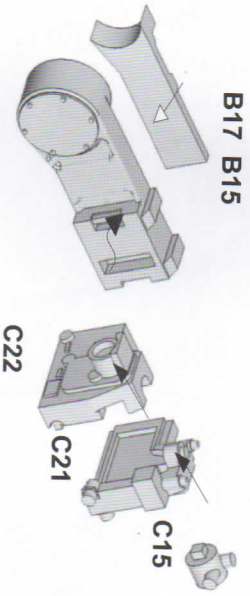
3



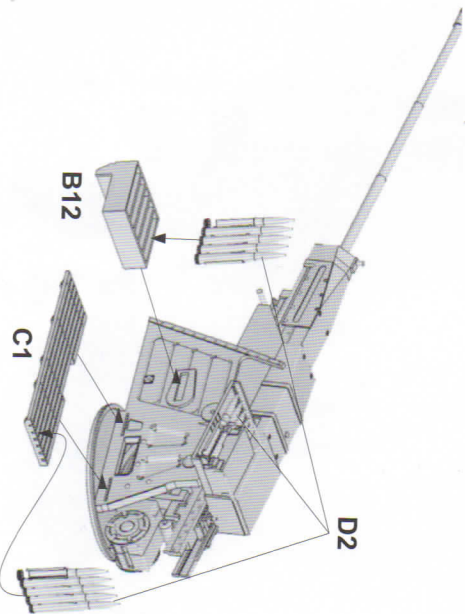
4



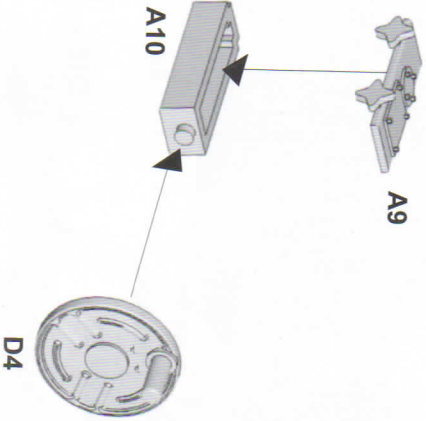
5



6

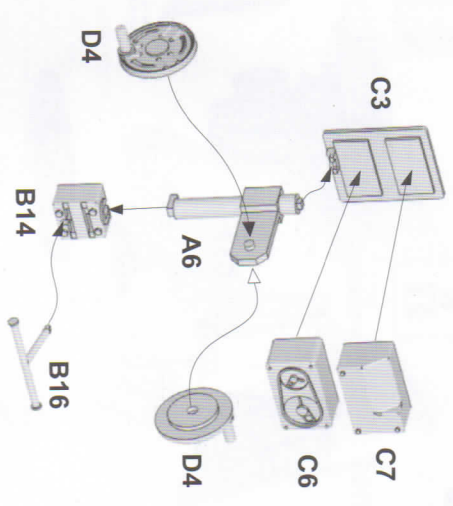
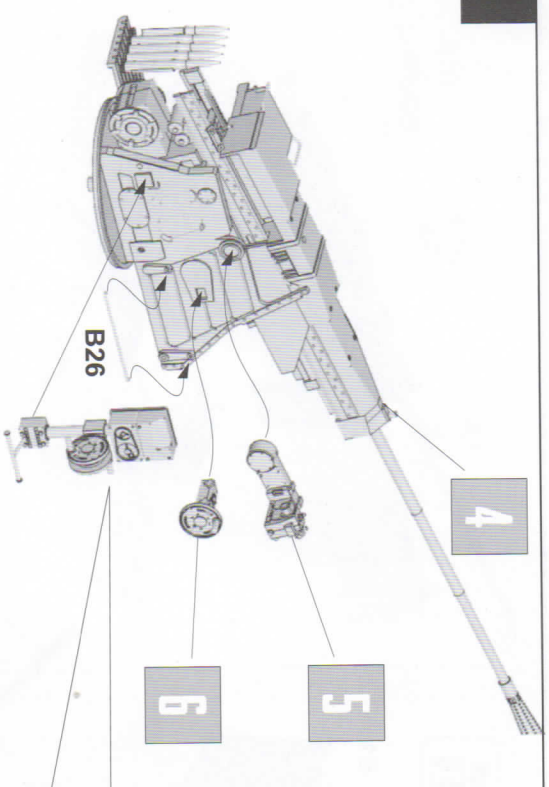


6

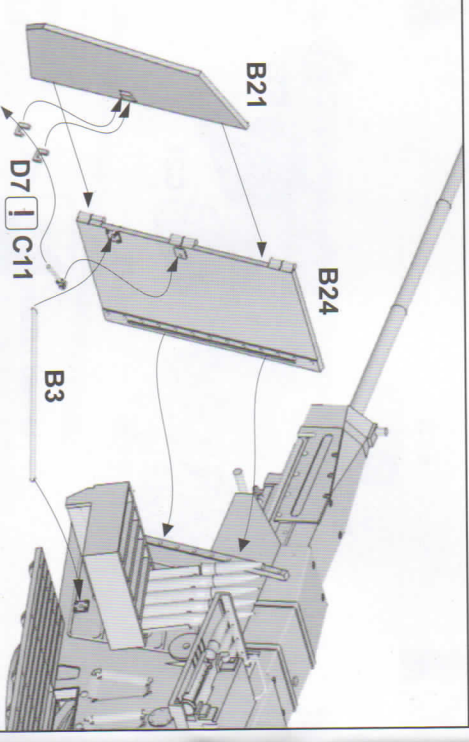
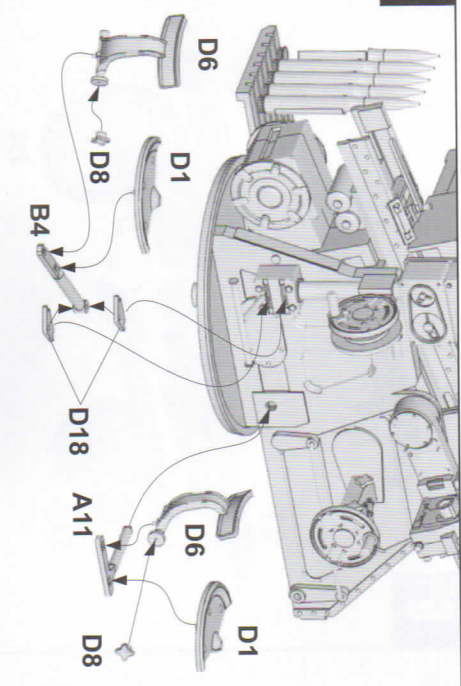


7

7

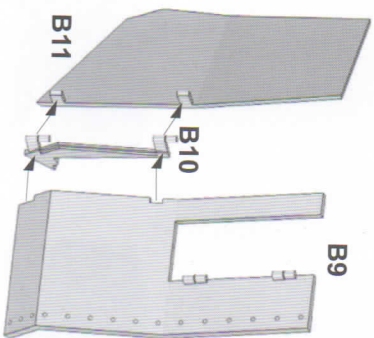
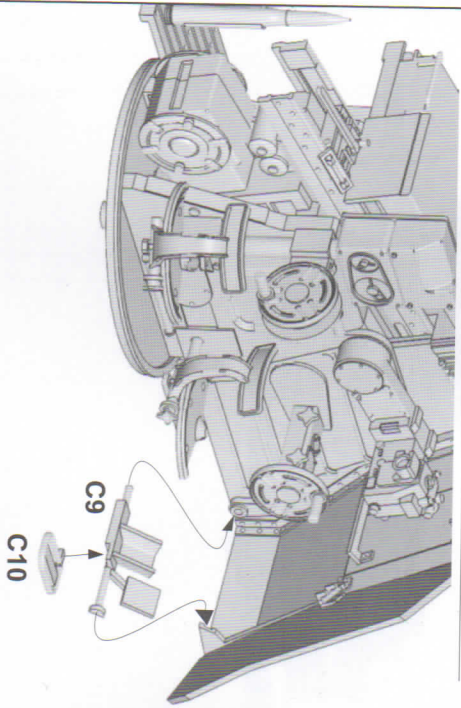
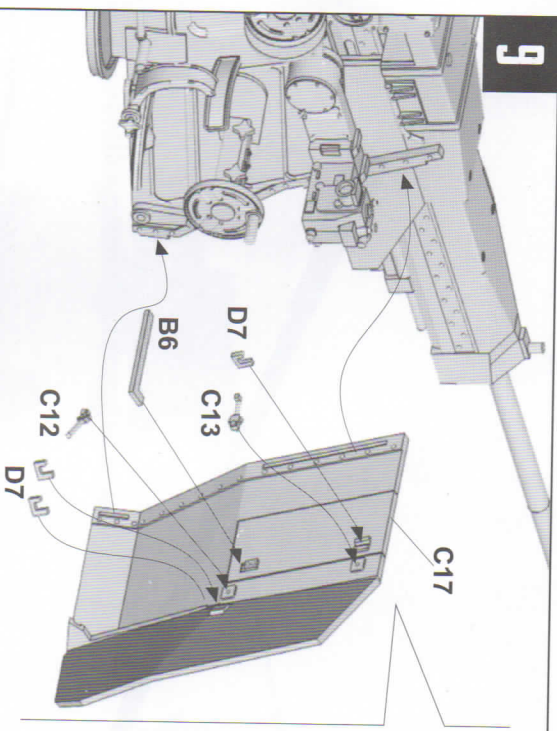


8

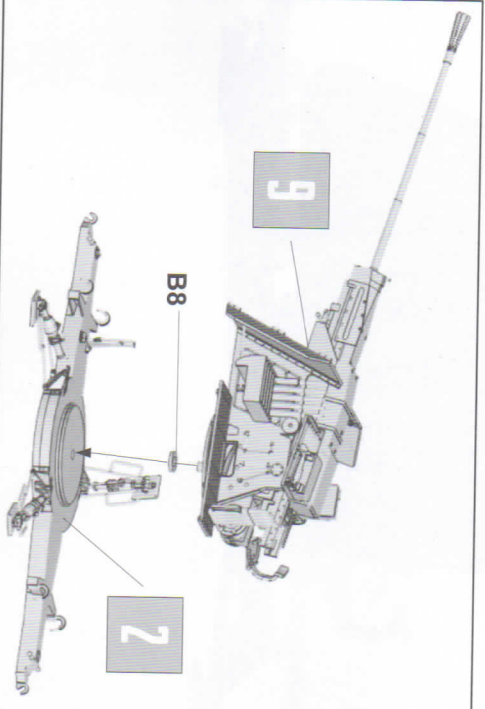




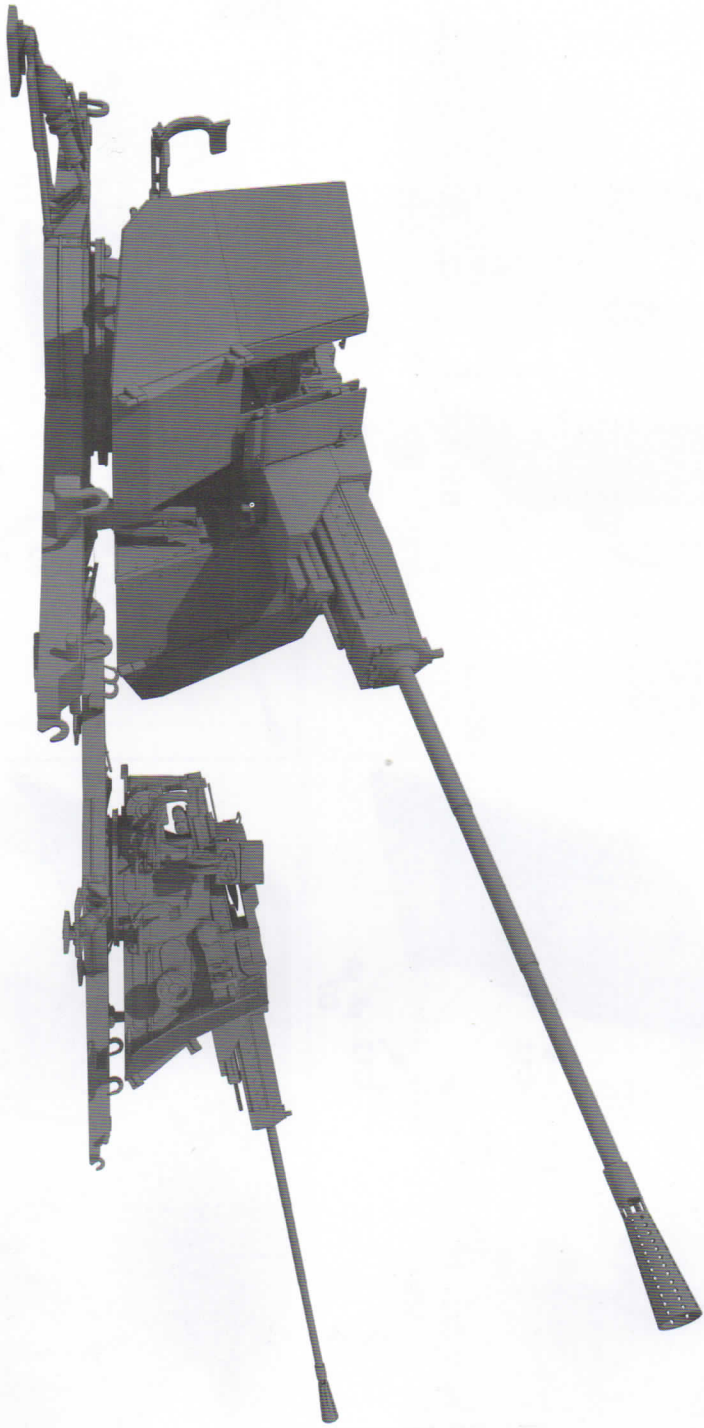
9



10



9







[www.16-02.de](http://www.16-02.de)