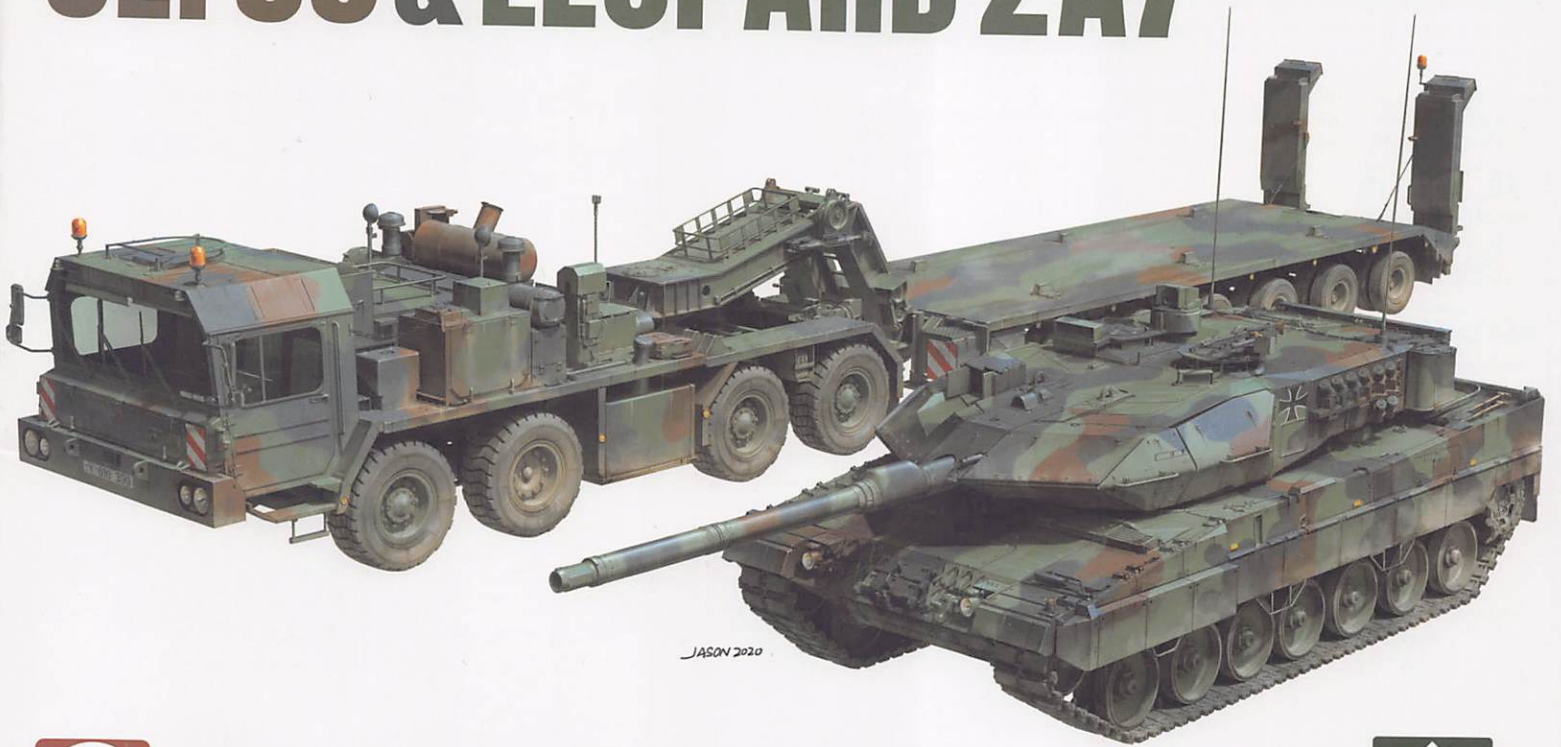


# SLT56 & LEOPARD 2A7



1/72  
No.5011

03.02.5011

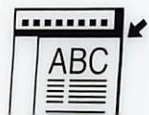


①

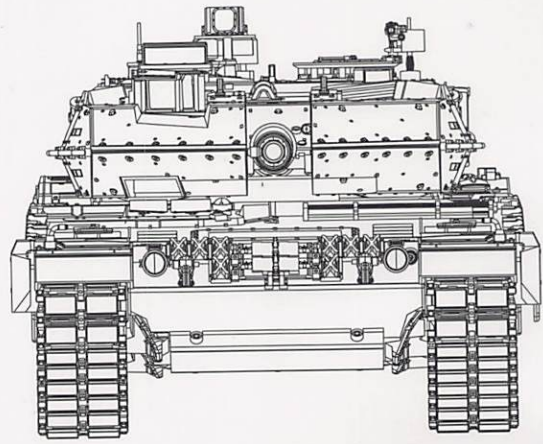
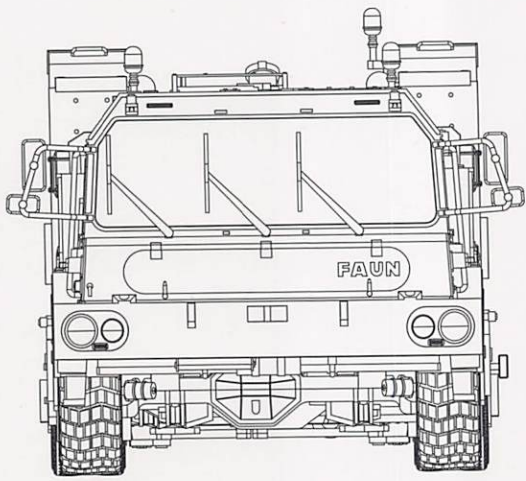
②

③

④



2020/5011



 You can find TAKOM on Facebook.com



## READ BEFORE ASSEMBLY

### CAUTION

- Read carefully and fully understand the instructions before commencing assembly. A supervising adult should also read the instructions if a child assembles the model.
- When assembling this kit, tools including knives used. Extra care should be taken to avoid personal injury.
- Keep out of reach of small children. Children must not be allowed to suck any part, or pull vinyl bag over their heads.



Be Careful



Instant Glue for Metal



Optional

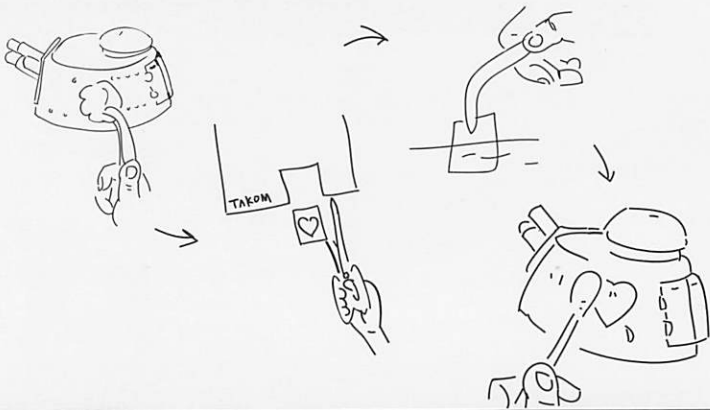
### PAINTS REQUIRED

Color info and profiles by Mig Jimenez

A.MIG-0033 Rubber & Tires	A.MIG-0037 New Wood	A.MIG-0195 Silver	A.MIG-0094 Crystal Glass
A.MIG-0093 Crystal Red	A.MIG-0097 Crystal Orange	A.MIG-0084 Nato Green	A.MIG-0085 Nato Brown
A.MIG-0048 Black	A.MIG-0038 Light Wood	A.MIG-0035 Dark Tracks	A.MIG-0045 Gun Metal
A.MIG-0032 Satin Black	A.MIG-0099 Crystal Blue	A.MIG-0049 Red	

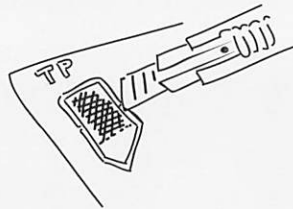
### APPLYING DECALS

1. Clean the model surface with a wet cloth.
2. Cut out each decal design from sheet, and dip it in tepid water for 15-20 sec.
3. Hold the backing sheet edge and slide decal onto the model.
4. Move decal into position by wetting decal with finger.
5. Press decal gently down with a soft cloth until excess water and air bubbles are gone.



1

### REMOVING PE



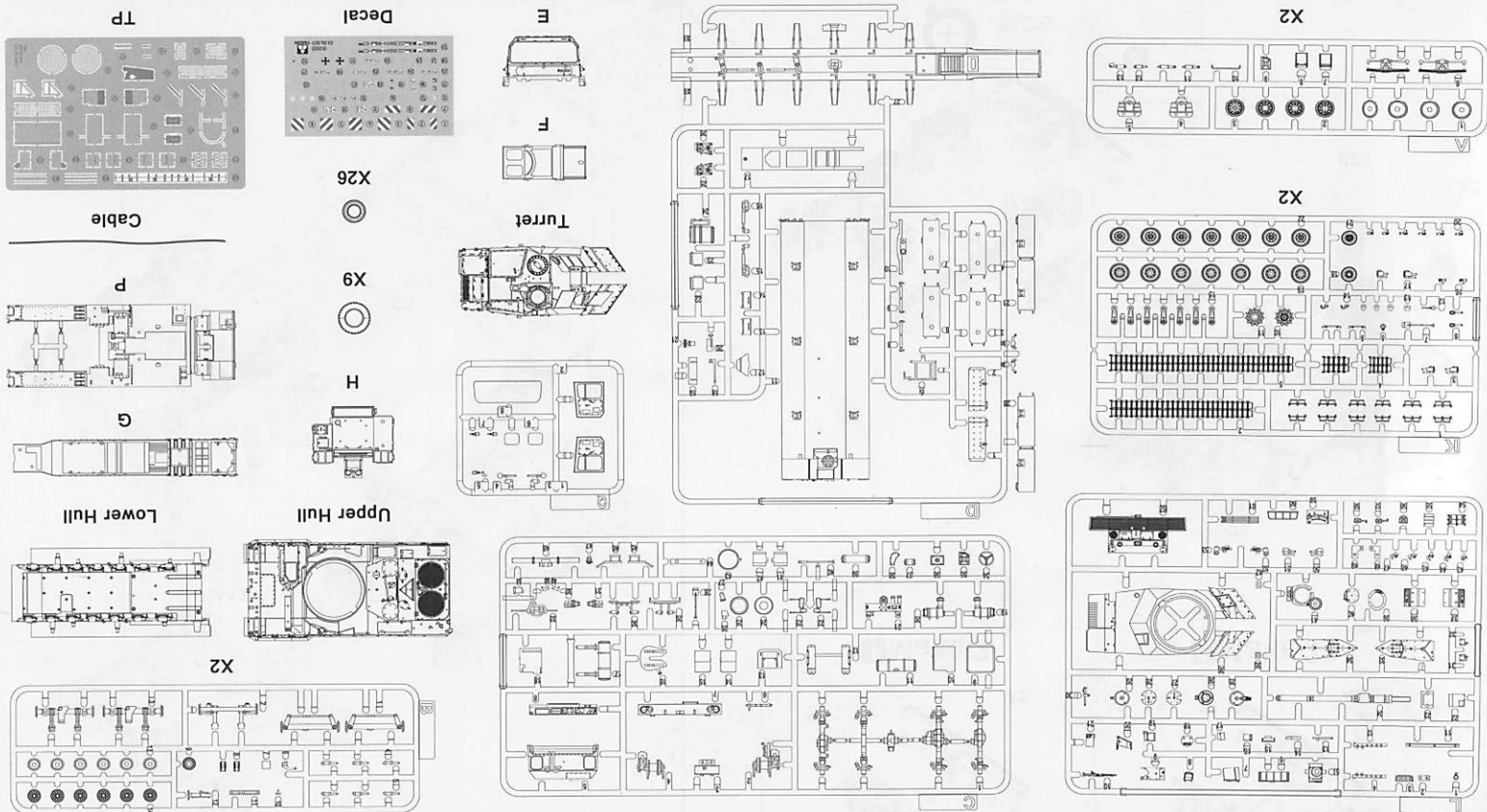
Be careful not to hurt when removing PE parts.



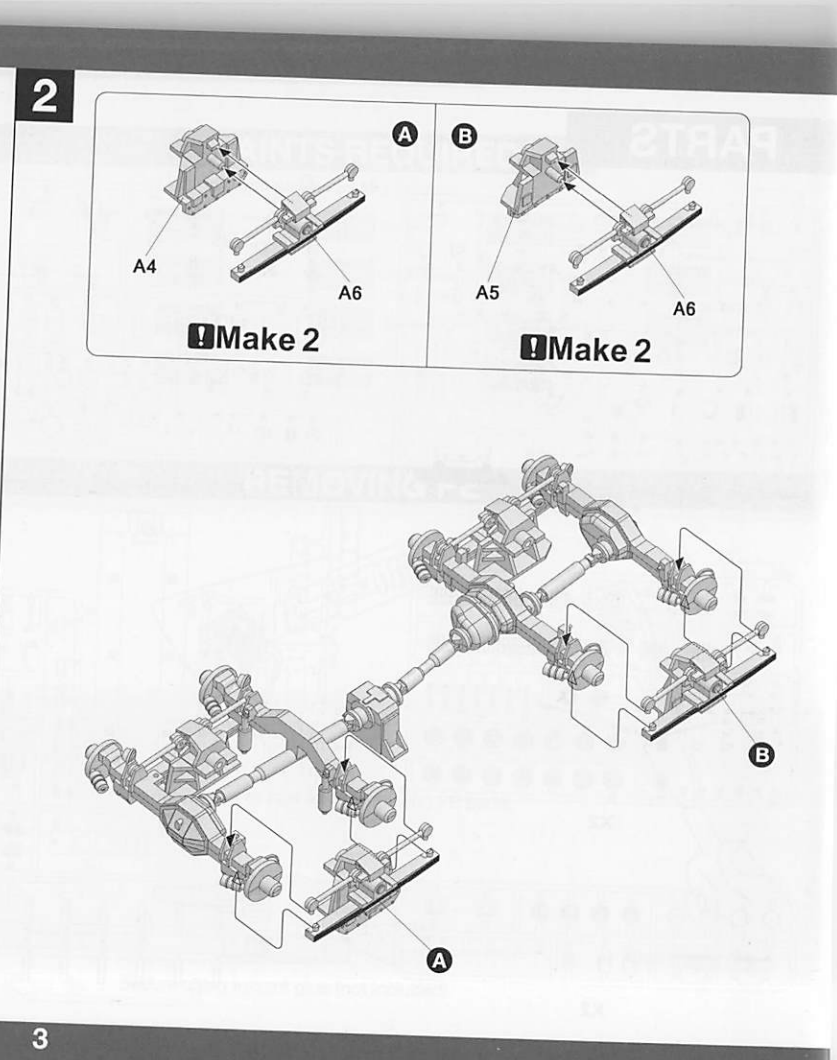
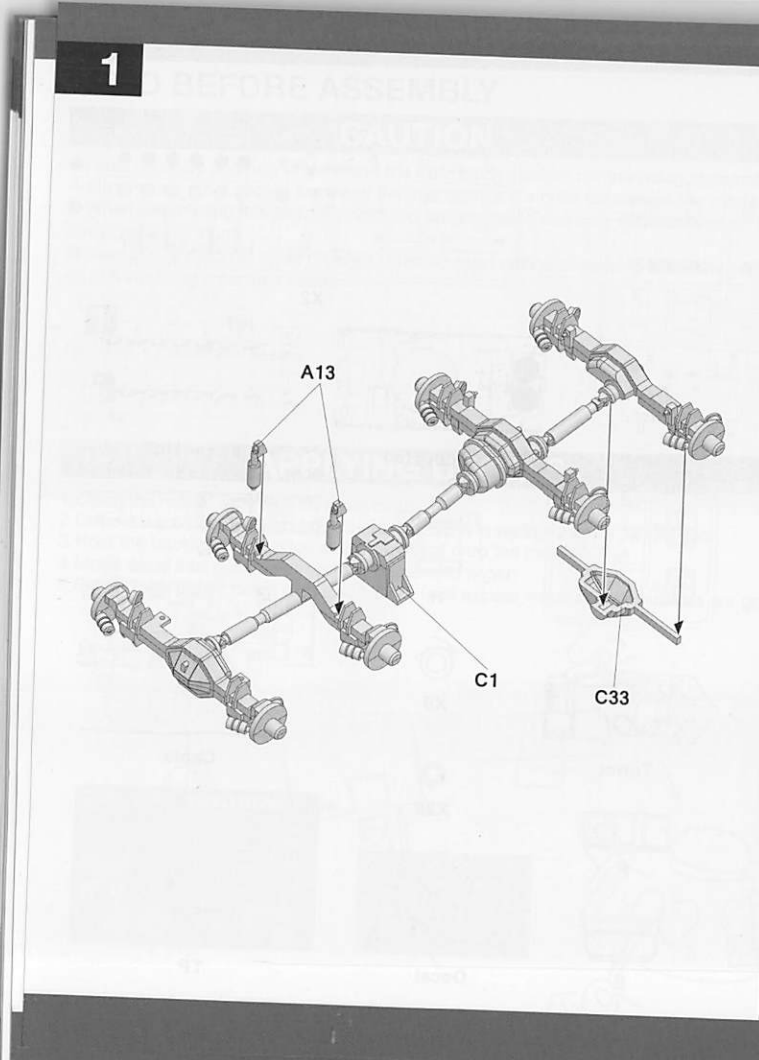
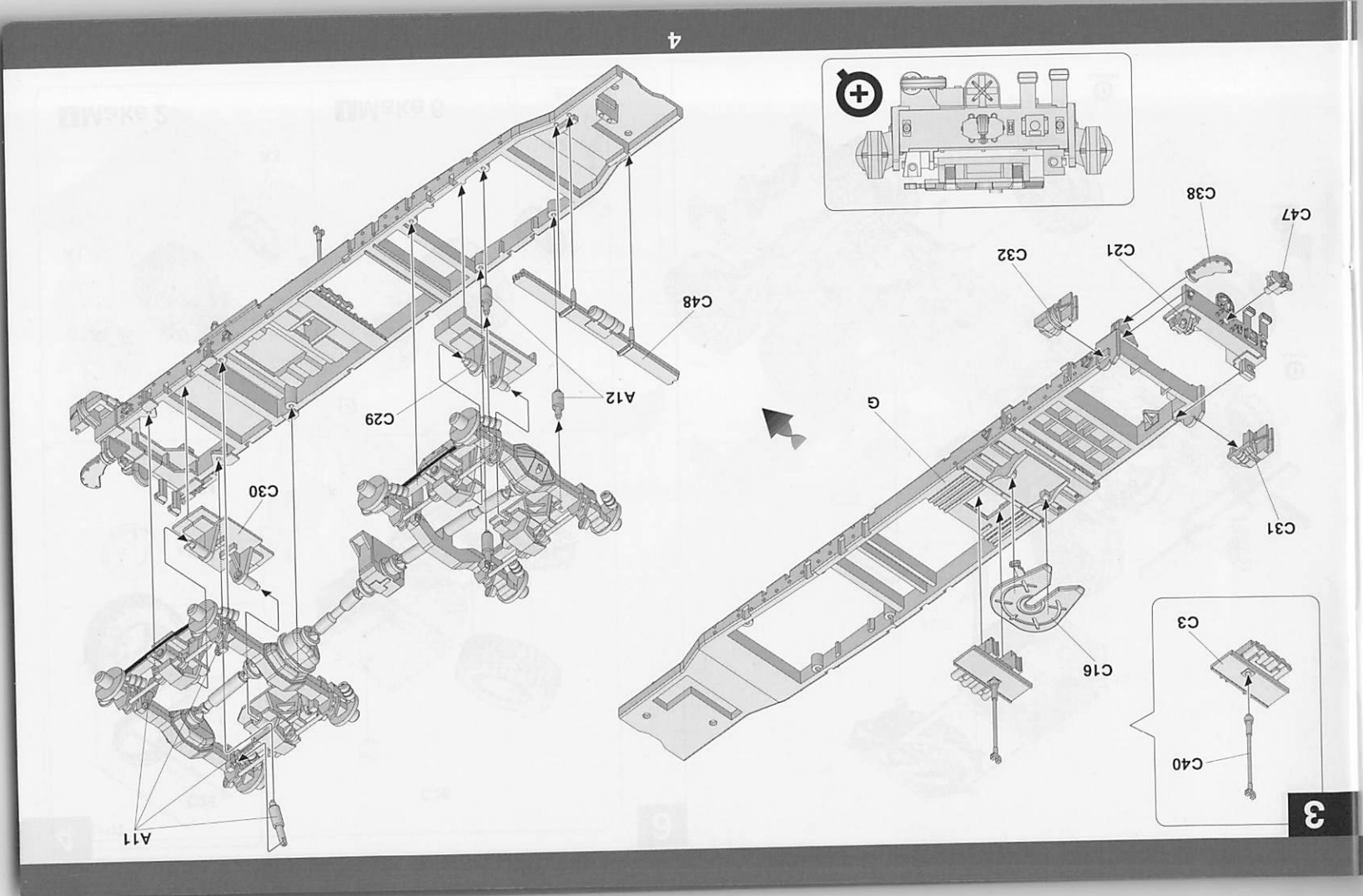
Finish using file.

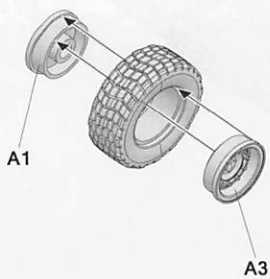
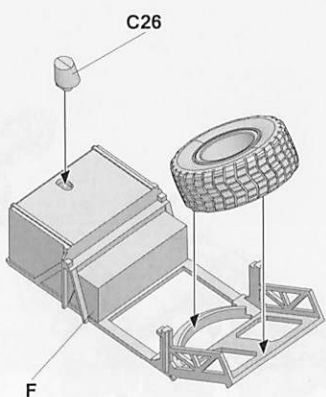
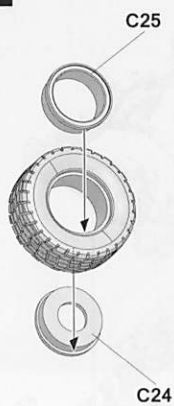
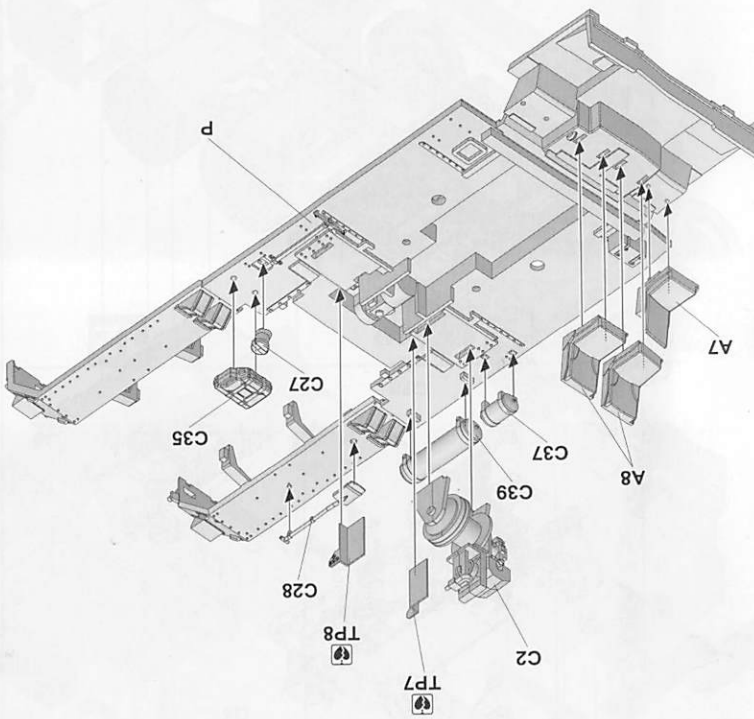
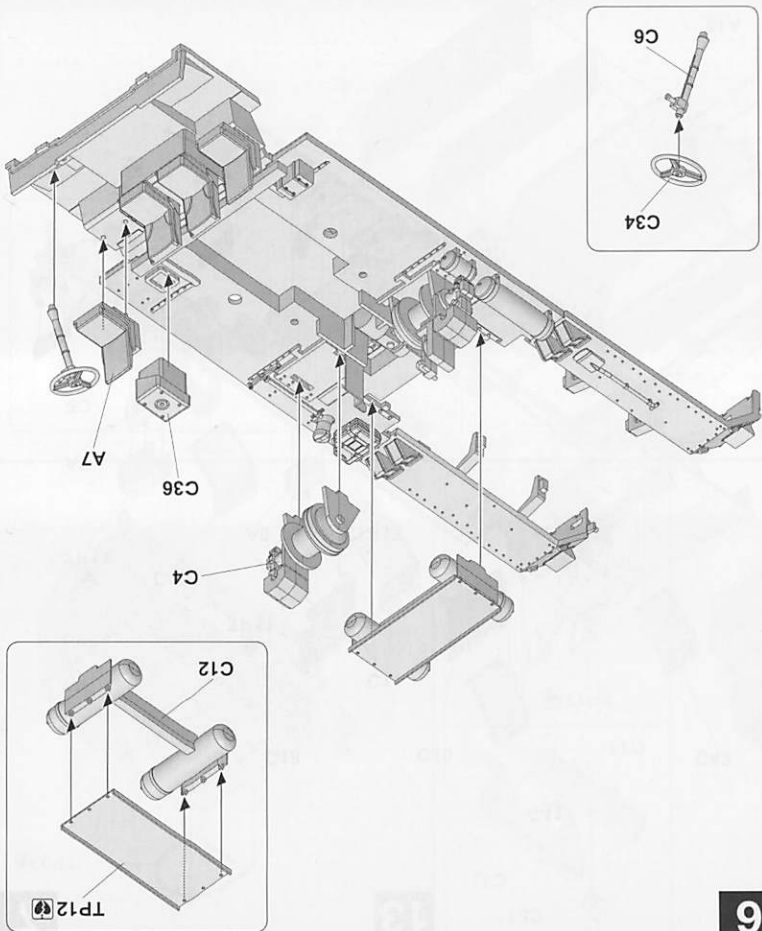
Secure using instant glue (not included).

2

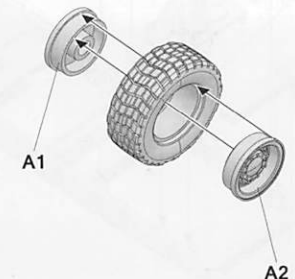


PARTS

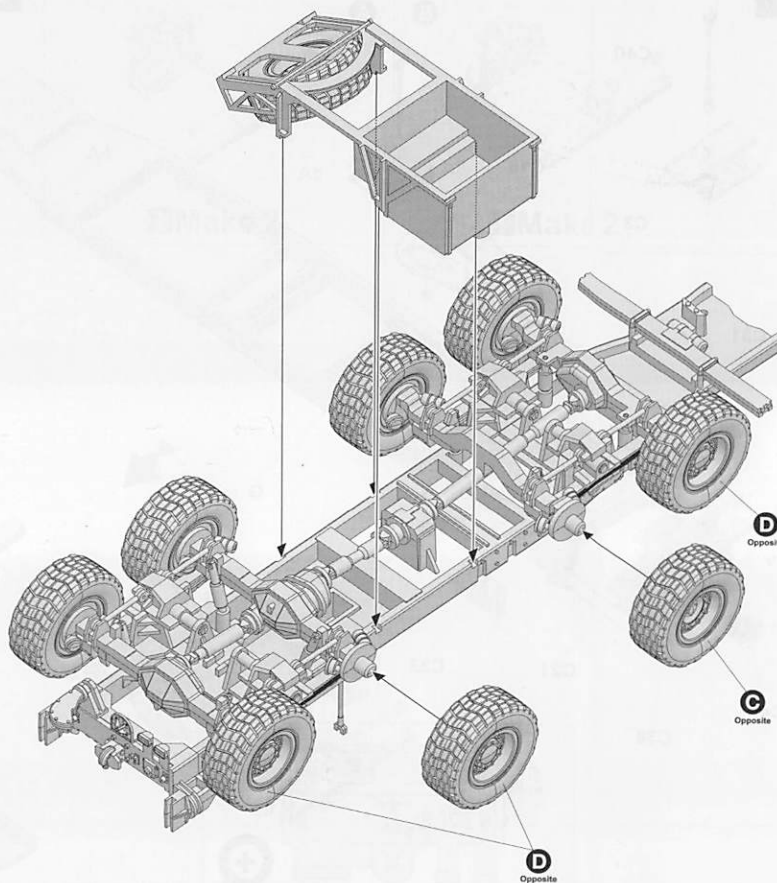


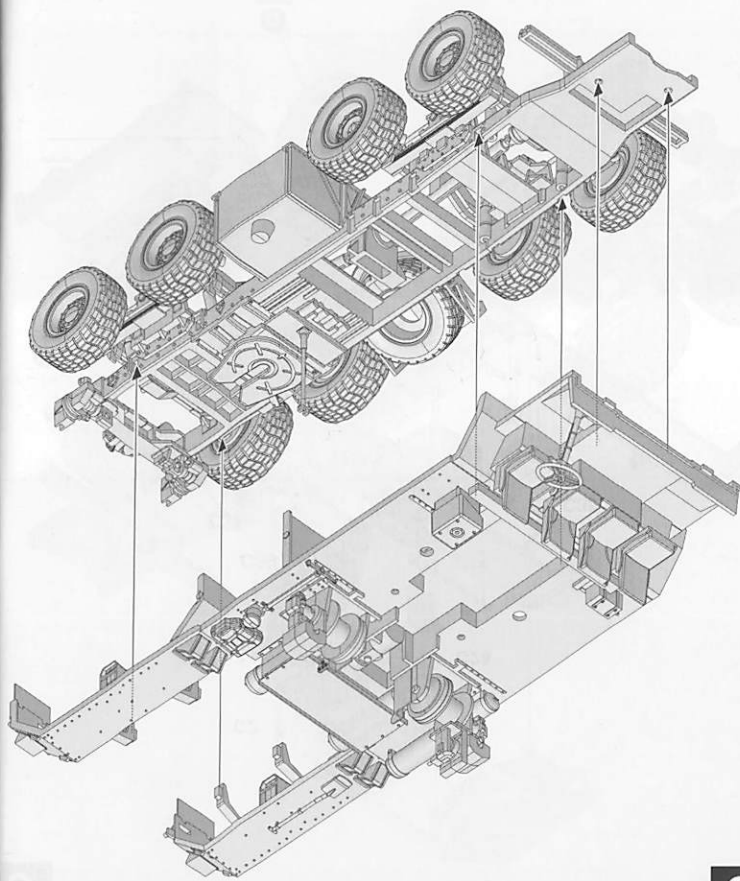


Make 2

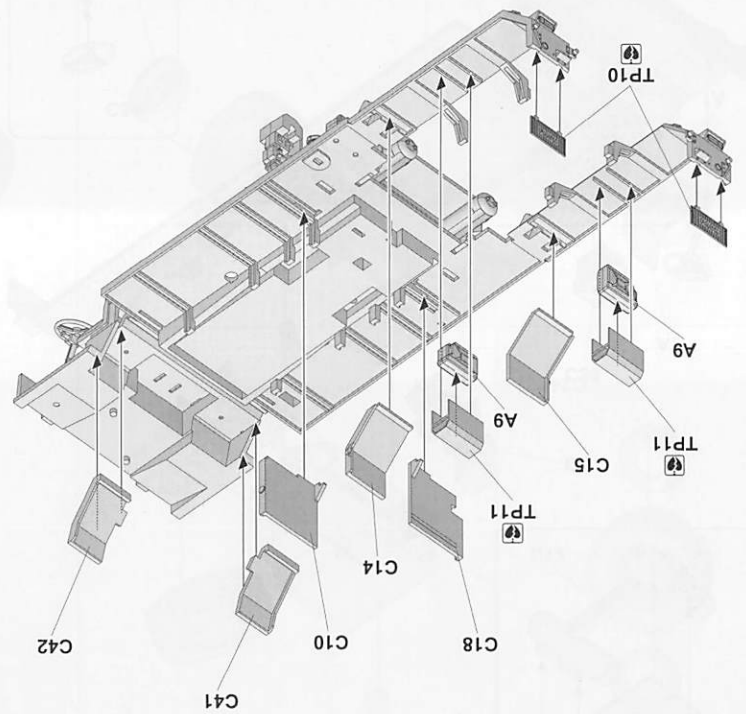


Make 6



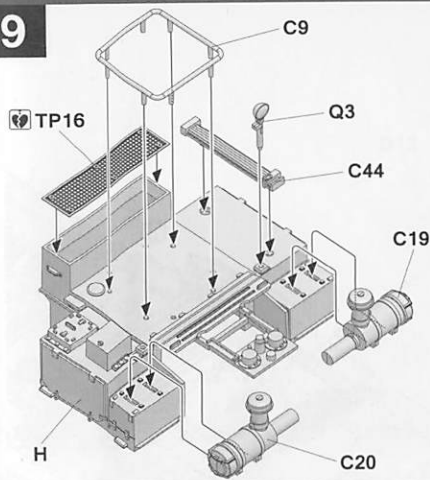


8

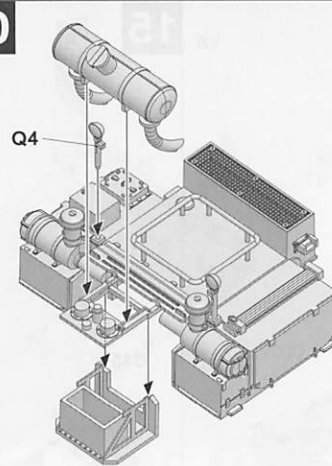


7

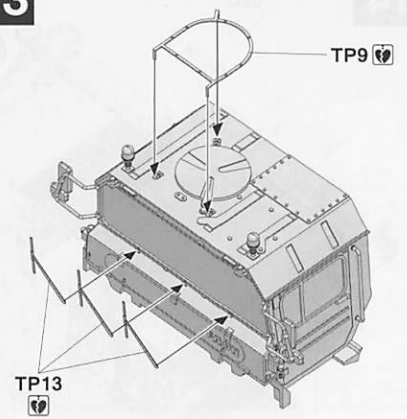
9



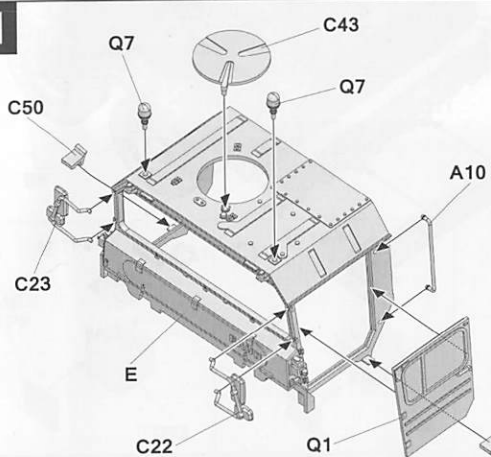
10



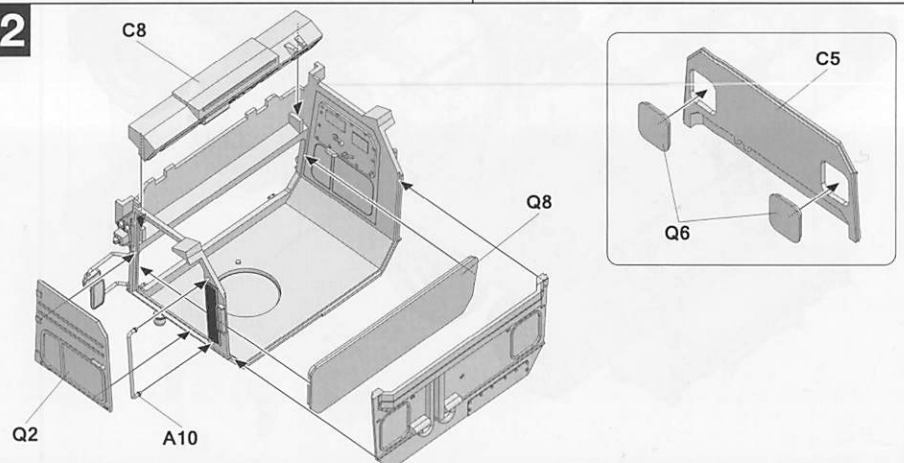
13



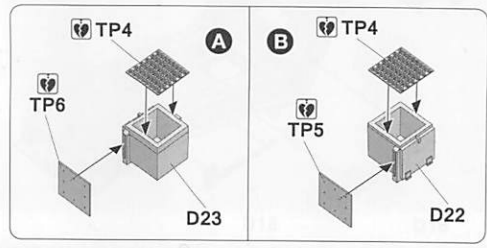
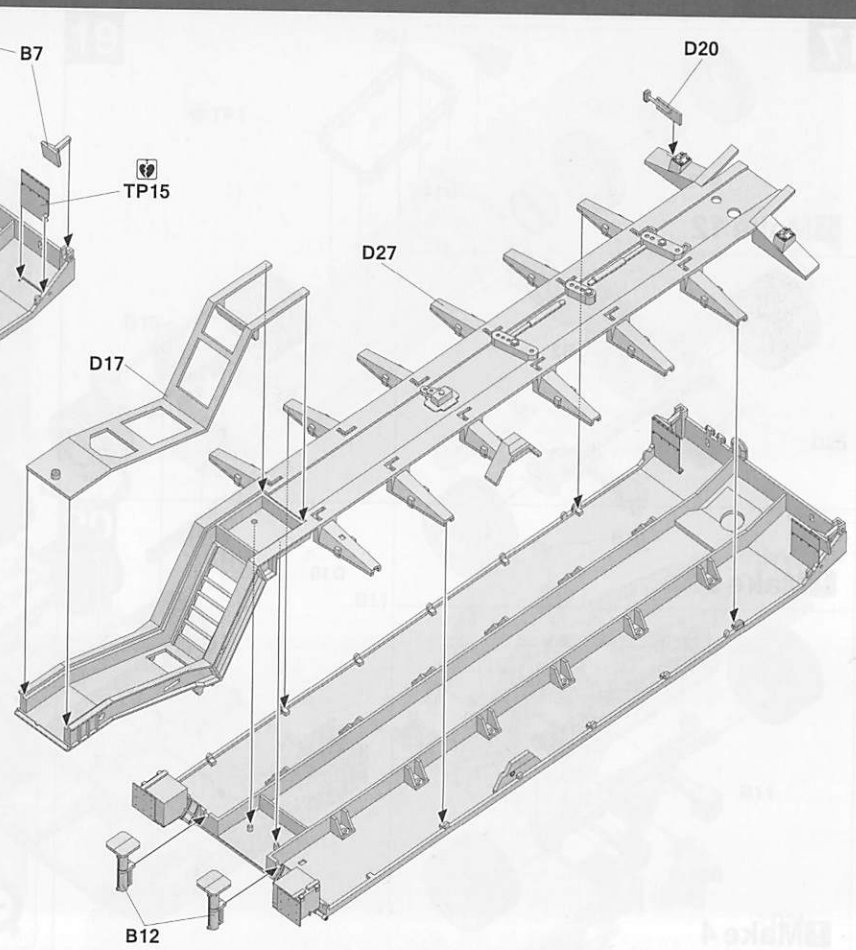
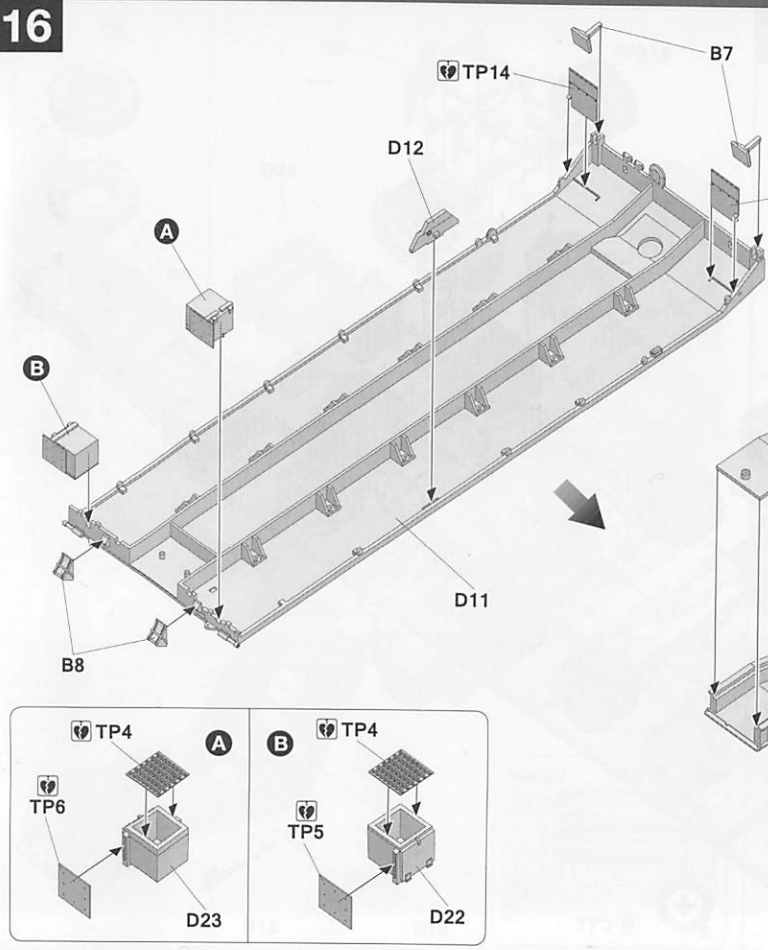
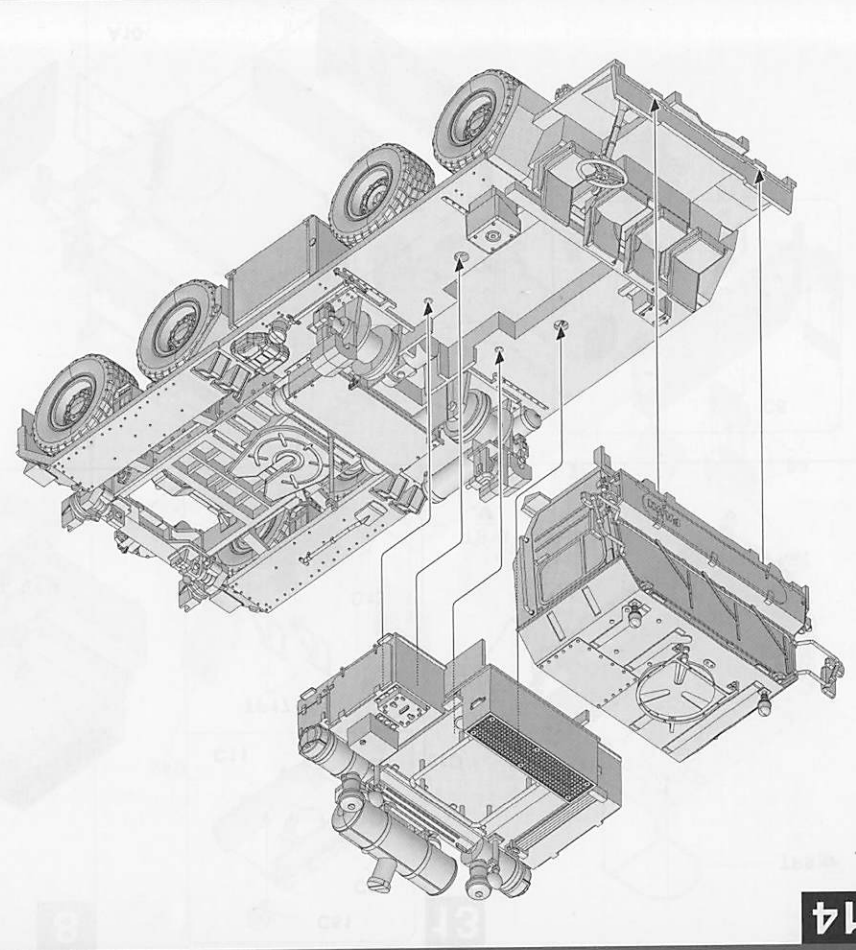
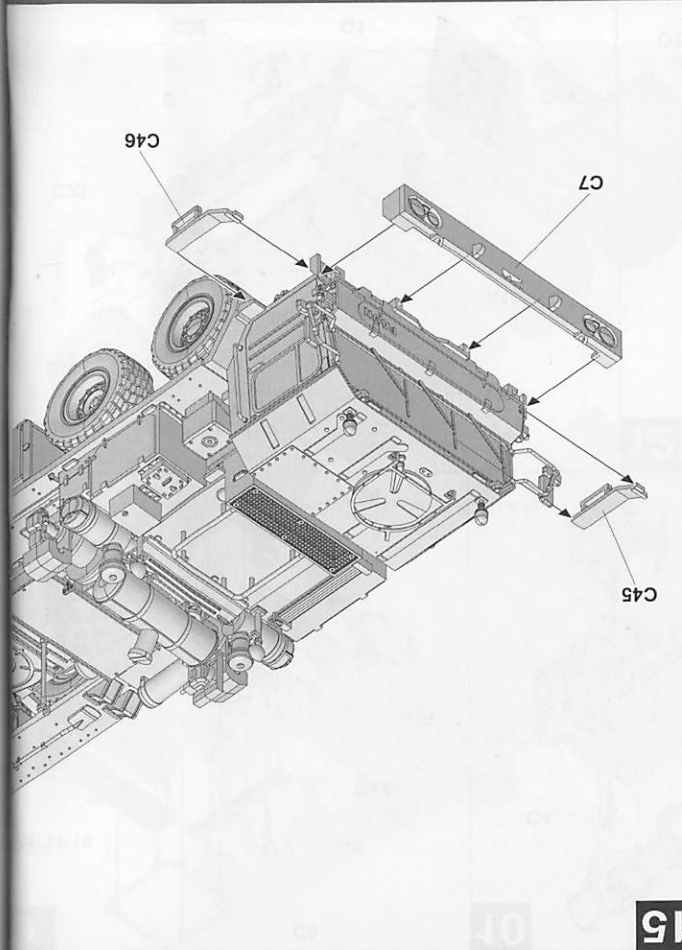
11



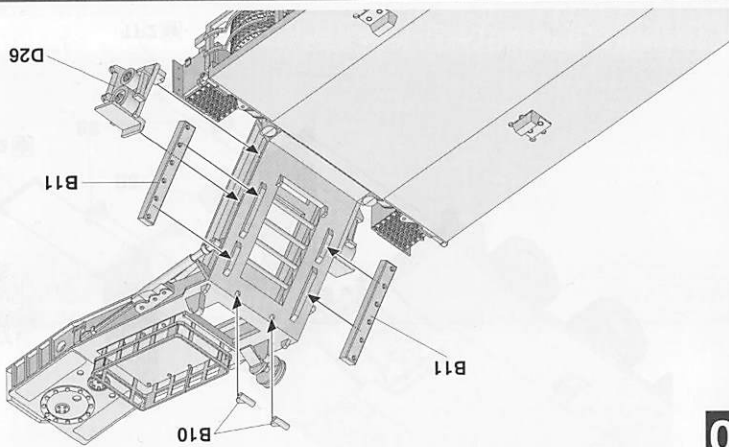
12



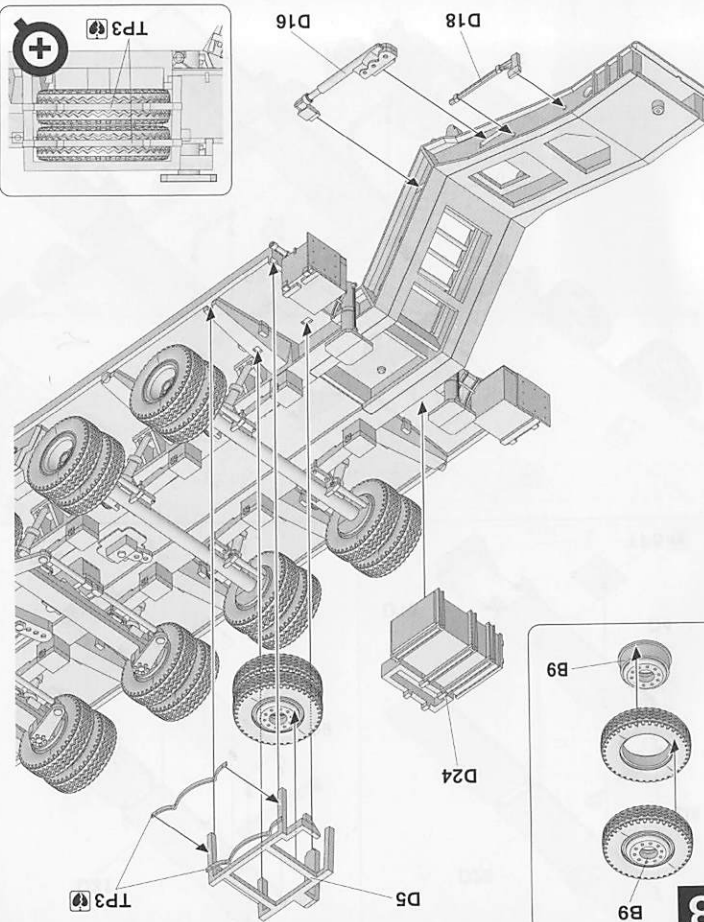
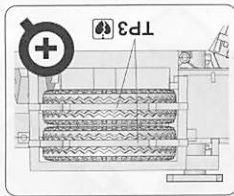
8



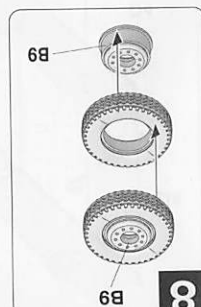
12



20

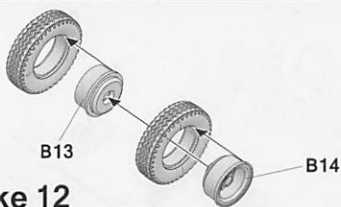


19

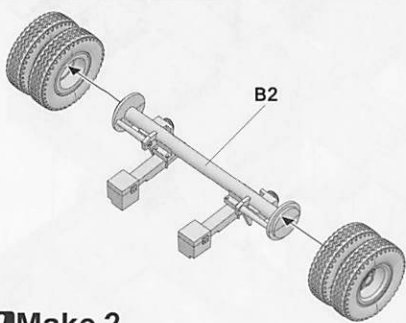


18

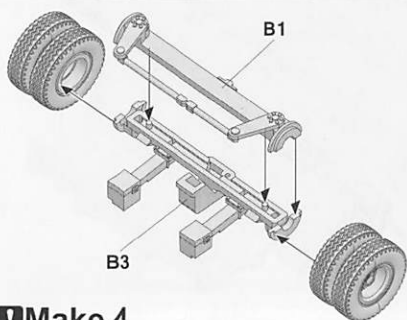
17



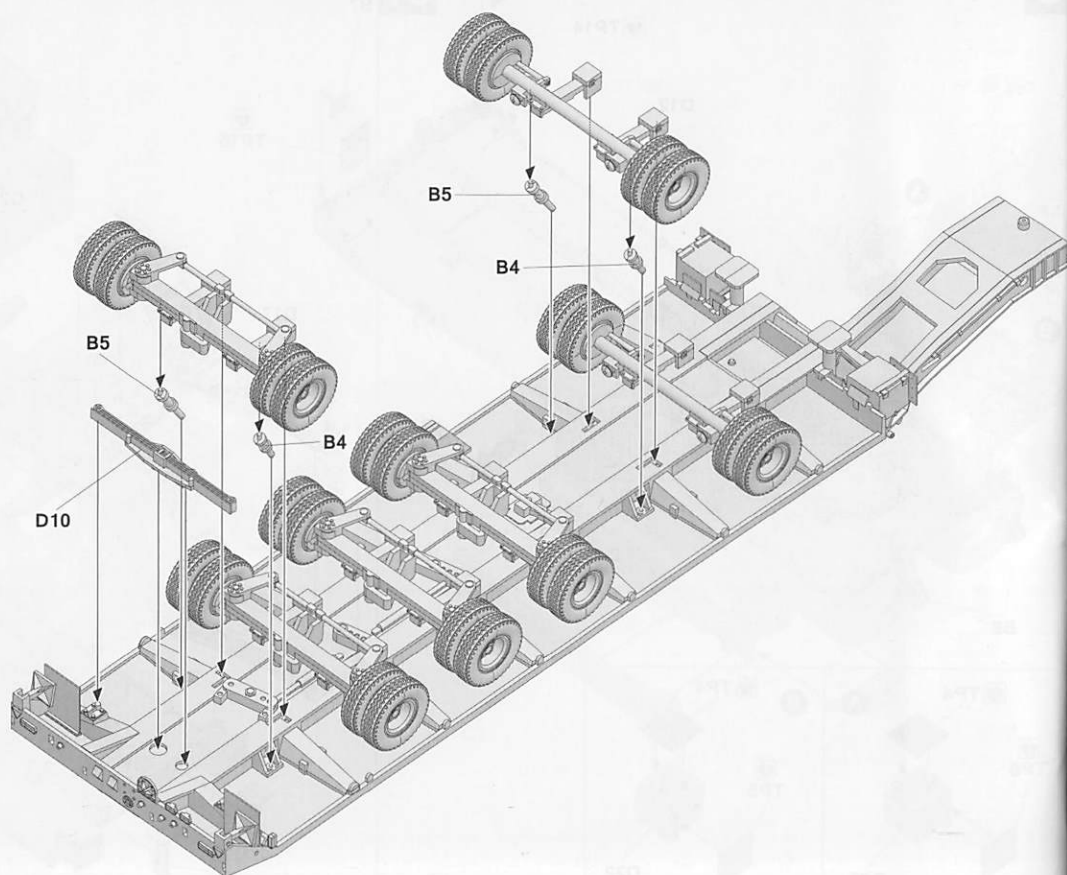
Make 12



Make 2

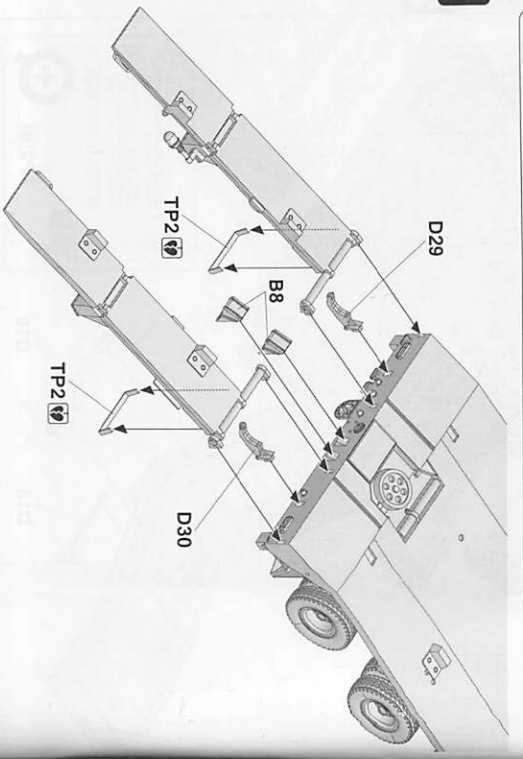
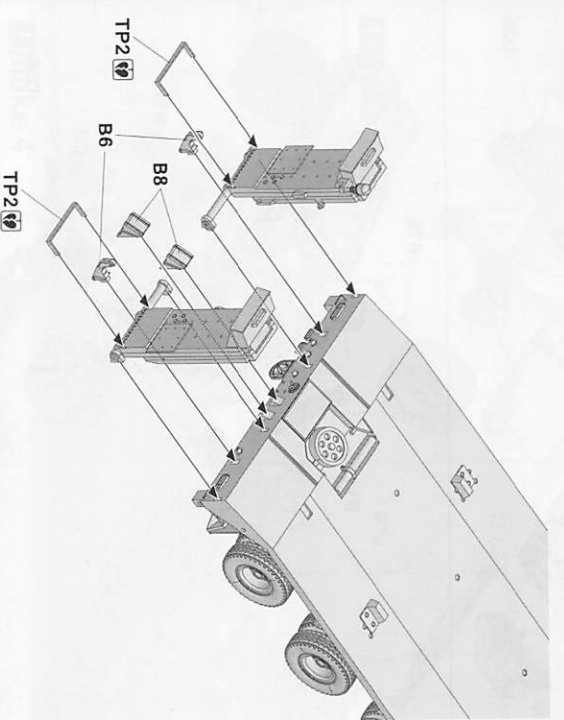
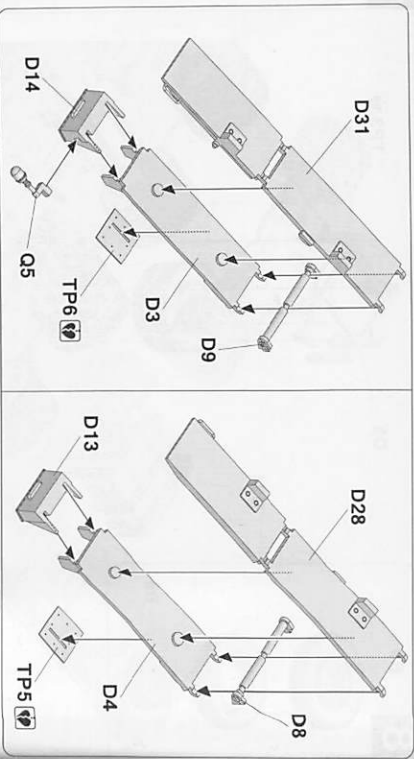
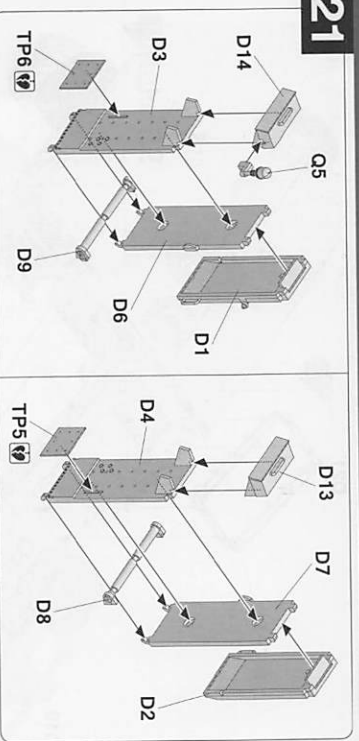
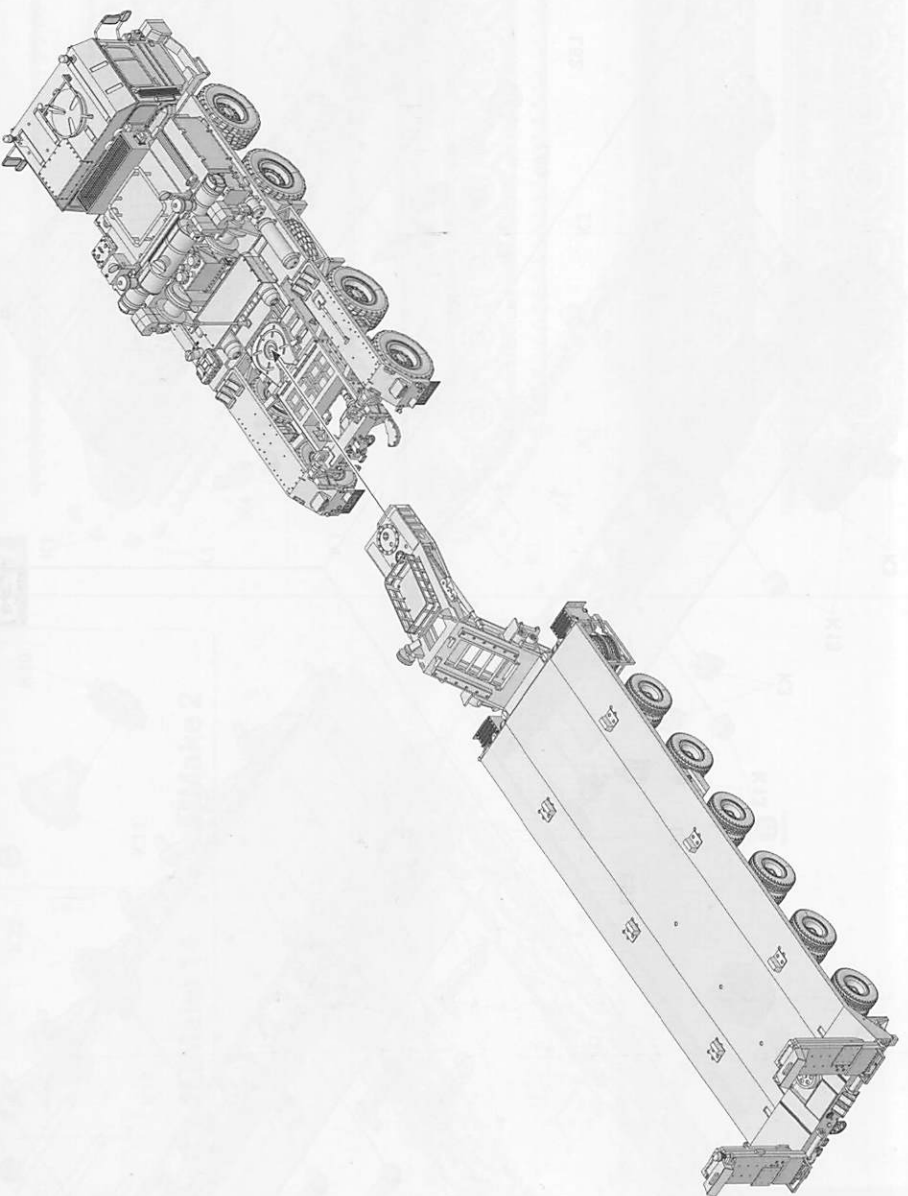


Make 4

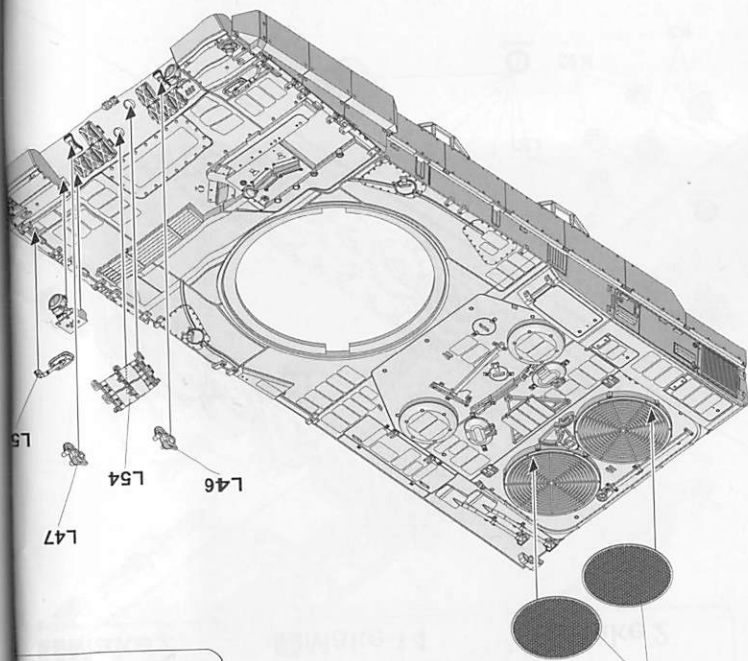


11

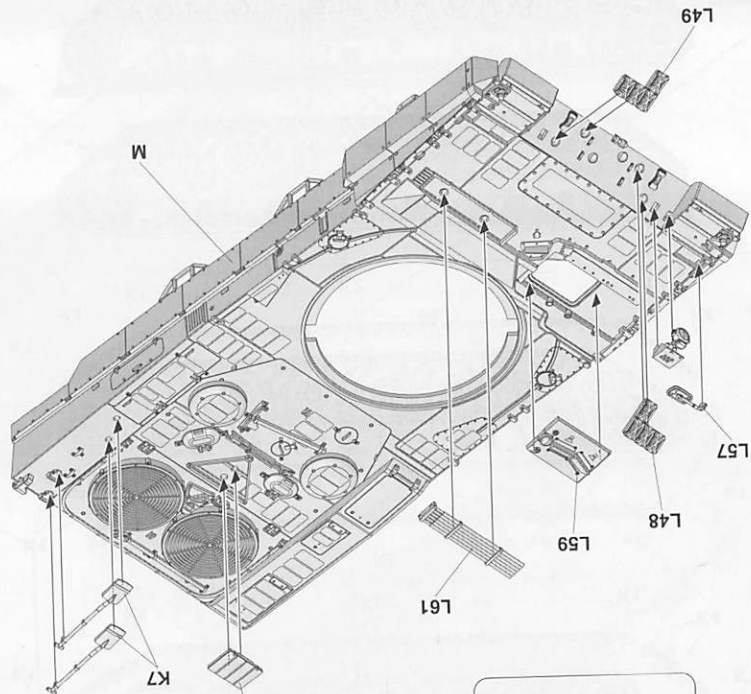






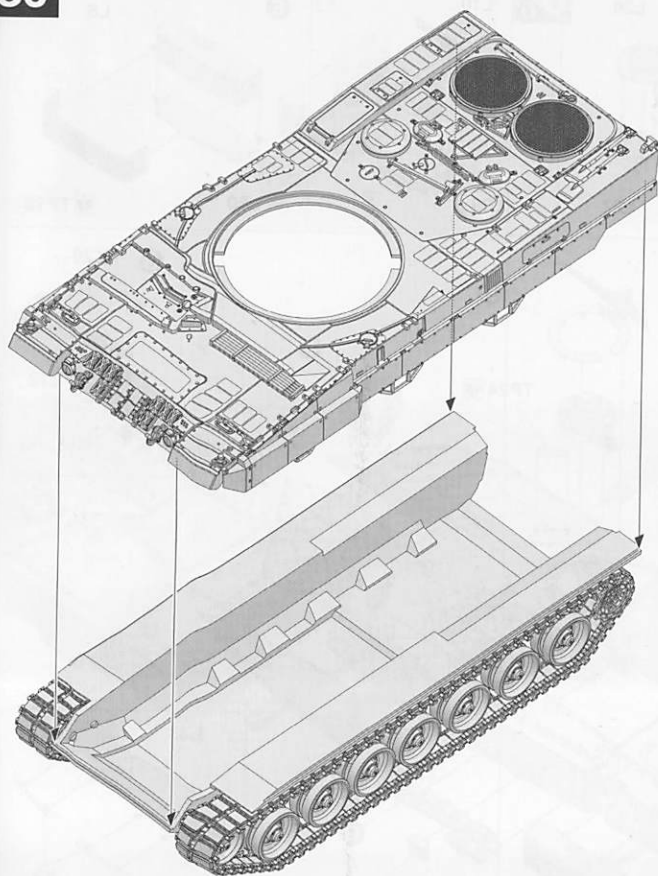


29

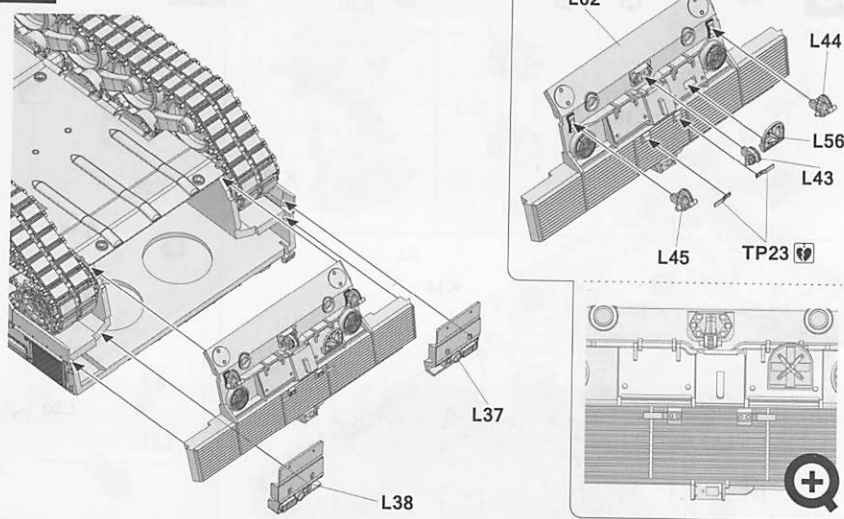


28

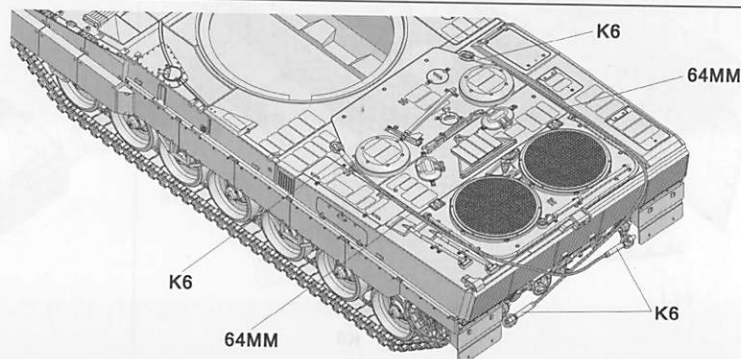
30

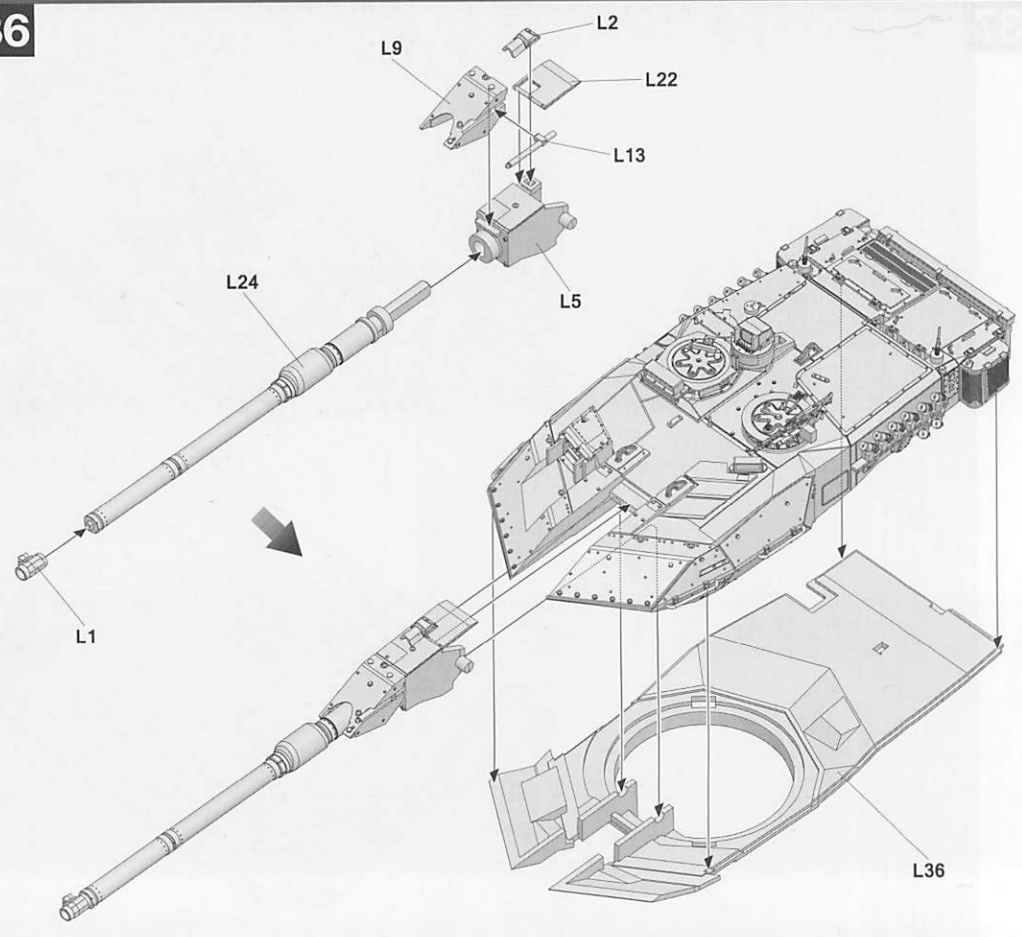
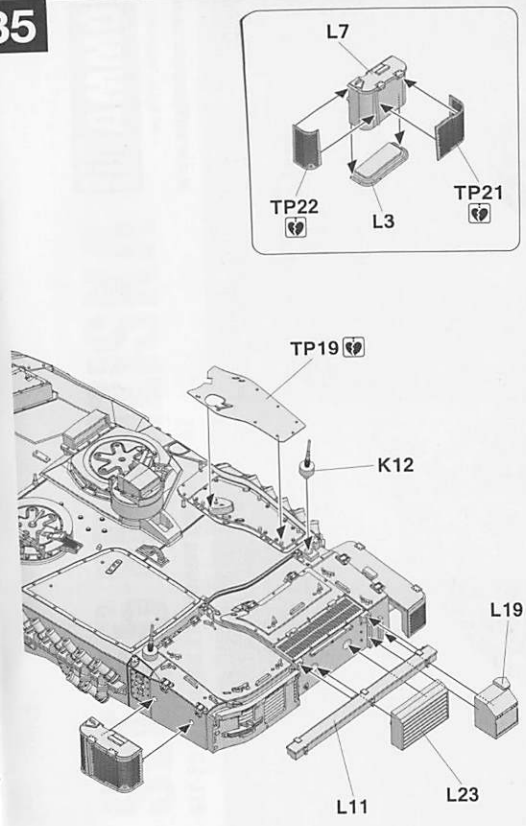
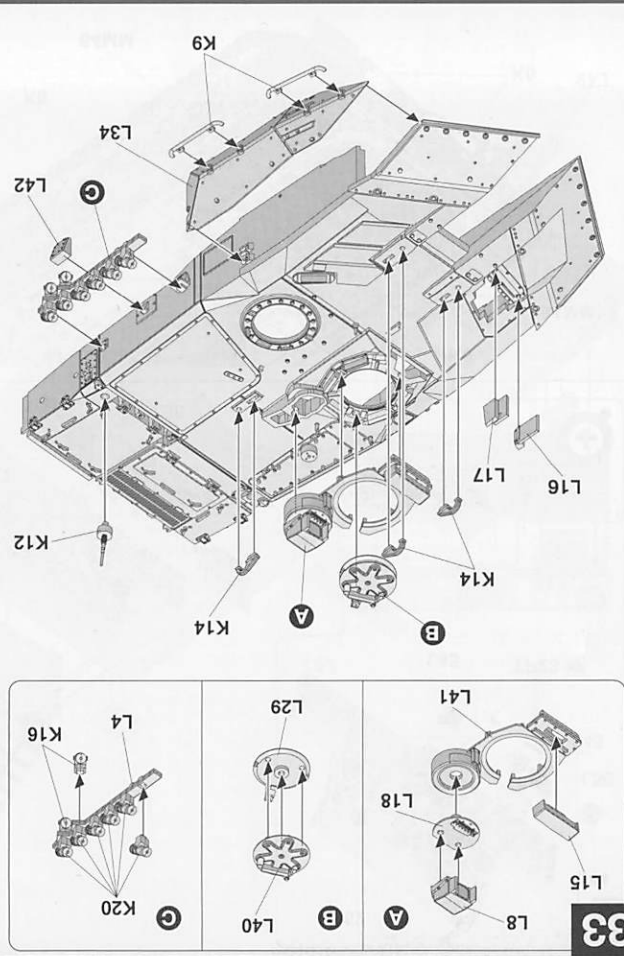
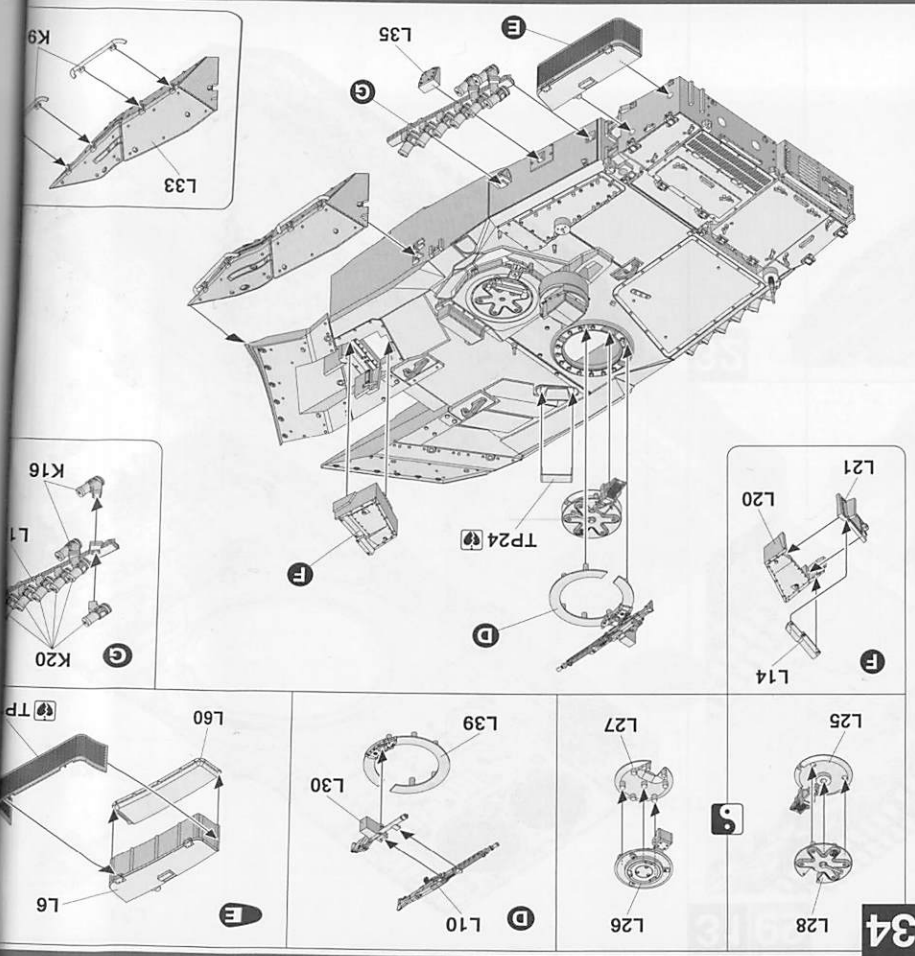


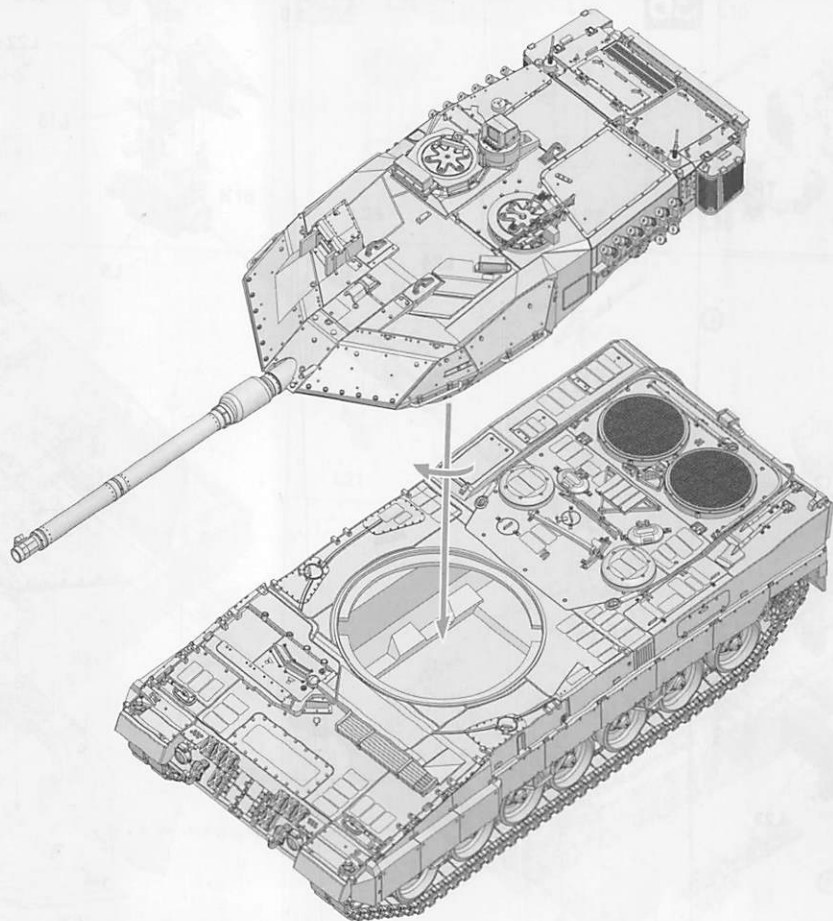
31



32





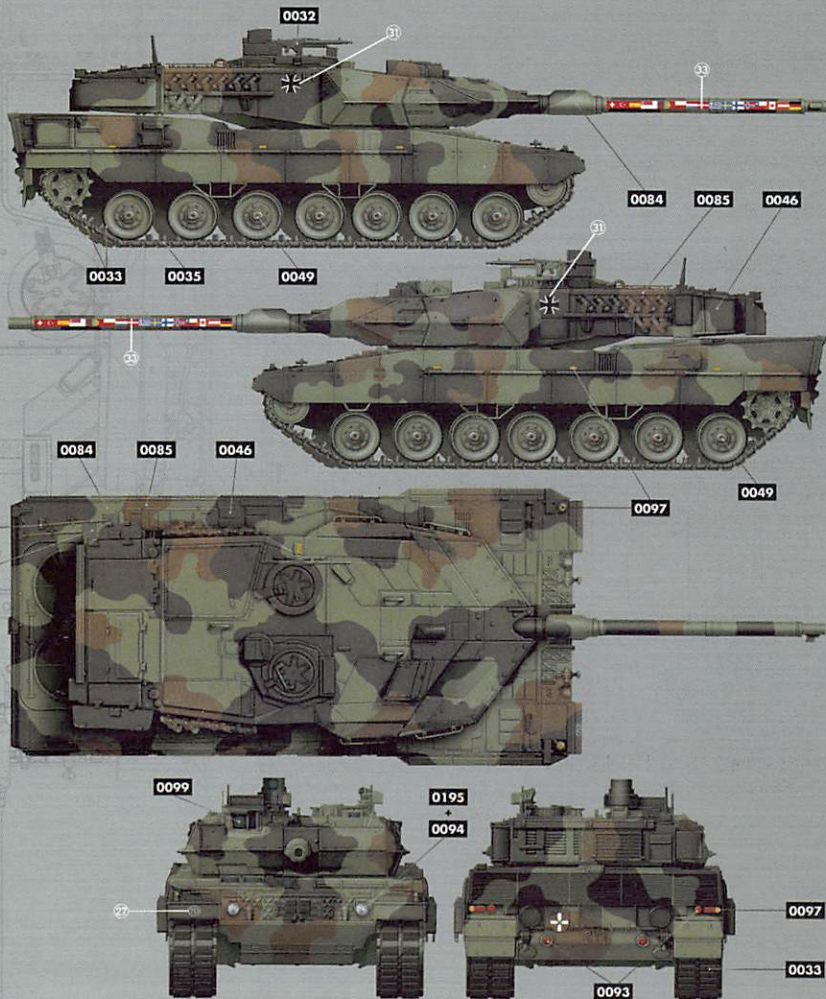


Painting and Marking Guide

TAKOM Ref: 5011

Panzer Leopard 2A7

Eurostaty Show,  
Paris, June 2014



WEATHERING STEPS WITH AMMO PRODUCTS

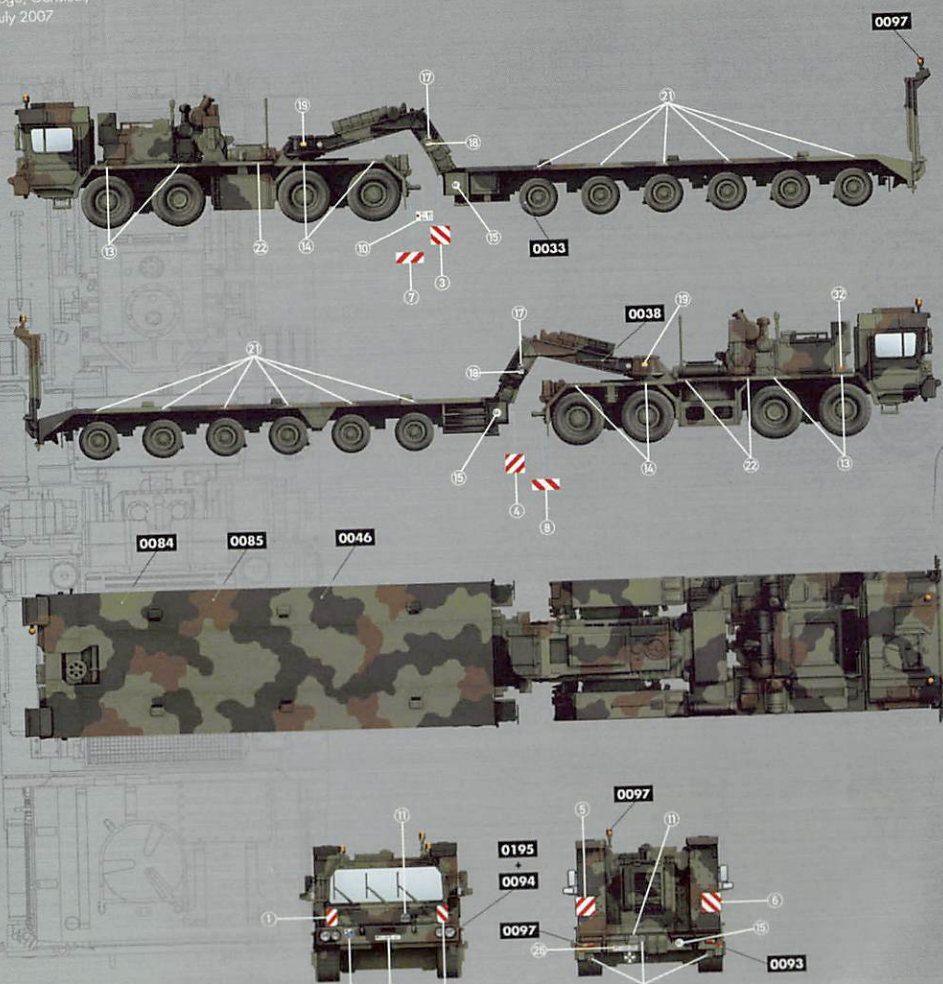
<b>1 GENERAL WASH</b> A.MIG-1008 Dark Wash	<b>3 STREAKING</b> A.MIG-125B Streakingbrusher Green-Grey Grime	<b>5 RAINMARKS</b> A.MIG-1208 Rainmarks Effects	<b>7 MUD</b> A.MIG-1703 Molest Ground	<b>9 FUEL</b> A.MIG-1409 Fuel Stains
<b>2 FILTER</b> A.MIG-1507 Tan for Yellow Green	<b>4 TRACKS WASH</b> A.MIG-1002 Tracks Wash	<b>6 DUST</b> A.MIG-3013 Rubble	<b>8 SPLASHES</b> A.MIG-1752 Loose Ground	<b>10 OIL</b> A.MIG-1408 Fresh Engine Oil

Painting and Marking Guide

TAKOM Ref: 5011

SLT-56 Franziska

LogS, Garlstedt,  
July 2007



WEATHERING STEPS WITH AMMO PRODUCTS

<b>1 GENERAL WASH</b> A.MIG-1008 Dark Wash	<b>3 STREAKING</b> A.MIG-1203 Streaking Grime	<b>5 RAINMARKS</b> A.MIG-125B Streakingbrusher Dust	<b>7 MUD</b> A.MIG-1702 Turned Earth	<b>9 FUEL</b> A.MIG-1409 Fuel Stains
<b>2 FILTER</b> A.MIG-1506 Brown for Dark Green	<b>4 WHEELS WASH</b> A.MIG-1401 Light Dust	<b>6 DUST</b> A.MIG-3011 Airfield Dust	<b>8 SPLASHES</b> A.MIG-1751 Dry Strappe	<b>10 OIL</b> A.MIG-1408 Fresh Engine Oil

03.03.5011



TAKOM

# SLT-56 FRANZISKA

SLT-56 Franziska and Panzer Leopard 2A7



by MIG Jimenez

www.migjimenez.com

## Painting and Marking Guide

TAKOM Ref: 5011

SLT-56 Franziska

Versorgungsbataillon 141,  
Rotenburg/Wümme,  
September 2018

A.MIG-0033 Rubber &amp; Tire

A.MIG-0037 New Wood

A.MIG-0195 Splatter

A.MIG-0094 Crystal Glass

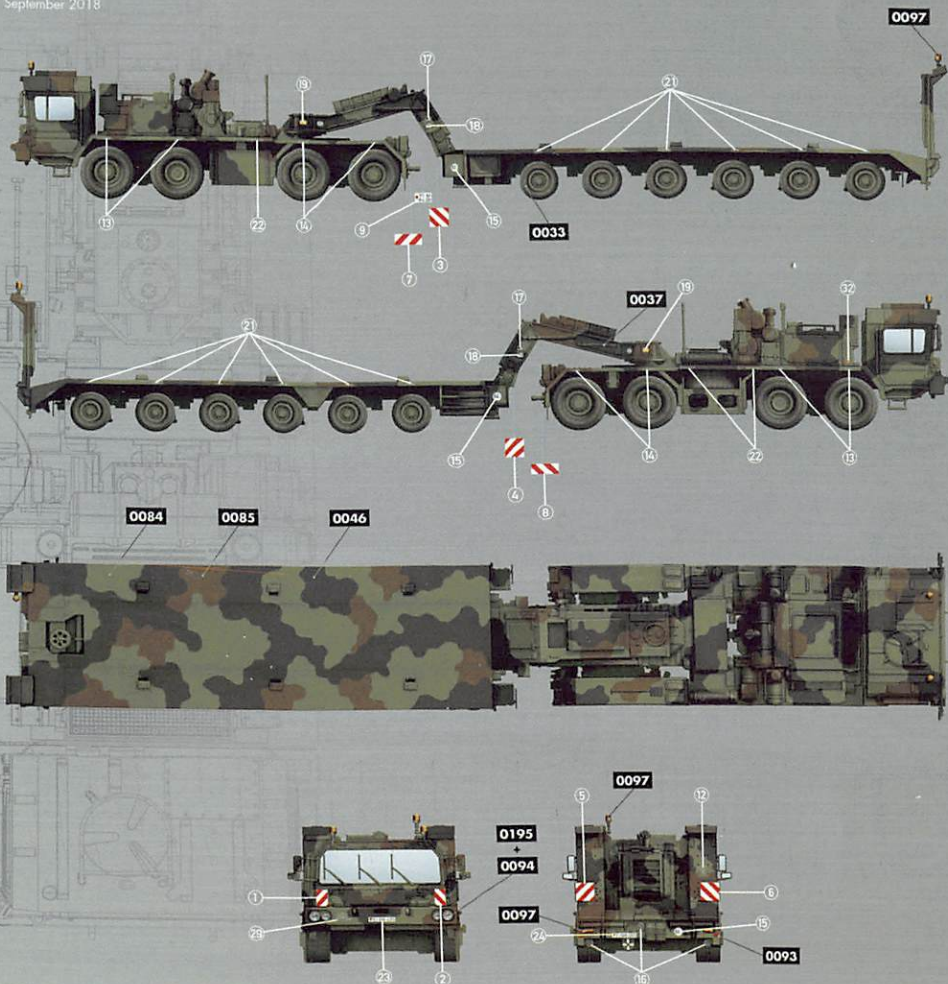
A.MIG-0093 Crystal Red

A.MIG-0097 Crystal Orange

A.MIG-0084 Nato Green

A.MIG-0095 Nato Brush

A.MIG-0046 Black



### WEATHERING STEPS WITH AMMO PRODUCTS

#### 1 GENERAL WASH

A.MIG-1008 Dark Wash

#### 2 FILTER

A.MIG-1508 Green for Grey Green

#### 3 STREAKING

A.MIG-1253 Streaking/brusher Grime

#### 4 WHEELS WASH

A.MIG-1403 Earth

#### 5 RAINMARKS

A.MIG-1208 Rainmarks Effects

#### 6 DUST

A.MIG-3030 Factory Dirt Ground

#### 7 MUD

A.MIG-1703 Moist Ground

#### 8 SPLASHES

A.MIG-1752 Loose Ground

#### 9 FUEL

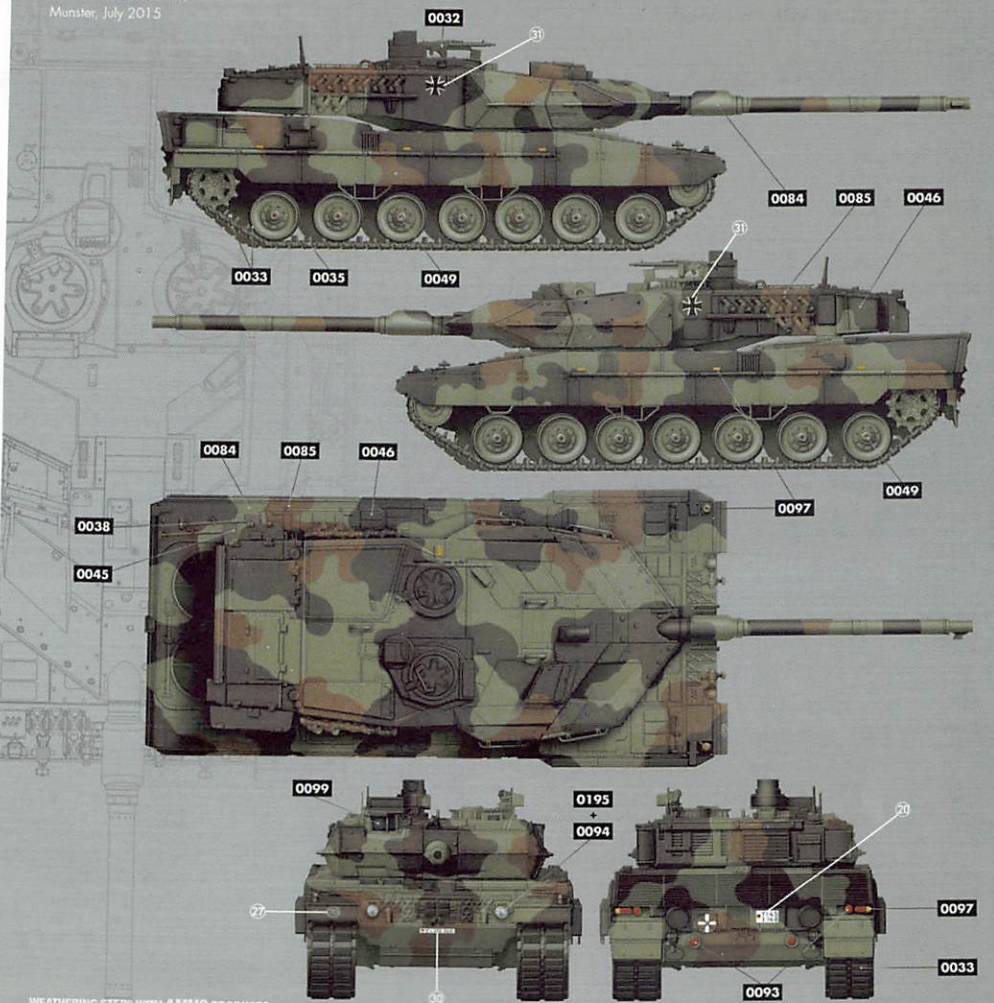
A.MIG-1408 Fuel Stains

#### 10 OIL

A.MIG-1408 Fresh Engine Oil

Painting and Marking Guide  
TAKOM Ref: 5011  
Panzer Leopard 2A7  
Panzerlehrbrigade 9,  
Panzerlehrbataillon 93,  
Munster, July 2015

AMIG-0035 Dark Tracks	AMIG-0033 Flecked & Tree	AMIG-0045 Gun Metal	AMIG-0038 Light Wood	AMIG-0032 Silver Black
AMIG-0195 Tyshe	AMIG-0094 Crystal Glass	AMIG-0093 Crystal Paint	AMIG-0097 Crystal Orange	AMIG-0099 Crystal Blue
AMIG-0049 Fleck	AMIG-0084 Nato Green	AMIG-0085 Nato Brown	AMIG-0046 Black	



WEATHERING STEPS WITH AMMO PRODUCTS

<b>1 GENERAL WASH</b> AMIG-1008 Dark Wash	<b>3 STREAKING</b> AMIG-1206 Dark Streaking Grime	<b>5 RAINMARKS</b> AMIG-1258 Streakingbrusher Dust	<b>7 MUD</b> AMIG-1704 Heavy Earth	<b>9 FUEL</b> AMIG-1409 Fuel Stains
<b>2 FILTER</b> AMIG-1506 Brown for Dark Green	<b>4 TRACKS WASH</b> AMIG-1002 Tracks Wash	<b>6 DUST</b> AMIG-3004 Europe Earth	<b>8 SPLASHES</b> AMIG-1753 Turned Dirt	<b>10 OIL</b> AMIG-1408 Fresh Engine Oil

**MERKAVA MK.2B**  
TAKOM

1/35

A ALL TERRAIN COMBAT VEHICLE...  
A DETAILED STRETCH COMPARTMENT...  
A REMOVABLE ENGINE COVER...  
A REMOVABLE FRONT ENGINE...  
A REMOVABLE REAR ENGINE...  
A REMOVABLE TURRET...  
A REMOVABLE TRACKS...  
A REMOVABLE WHEELS...  
A REMOVABLE HATCHES...  
A REMOVABLE LIGHTS...  
A REMOVABLE SMOKE...  
A REMOVABLE DUST...  
A REMOVABLE MUD...  
A REMOVABLE OIL...  
A REMOVABLE FUEL...  
A REMOVABLE WATER...  
A REMOVABLE AIR...  
A REMOVABLE GASES...  
A REMOVABLE PARTICLES...  
A REMOVABLE DEBRIS...  
A REMOVABLE SCRAP...  
A REMOVABLE RUBBER...  
A REMOVABLE GLASS...  
A REMOVABLE METAL...  
A REMOVABLE WOOD...  
A REMOVABLE FABRIC...  
A REMOVABLE LEATHER...  
A REMOVABLE PAPER...  
A REMOVABLE CARDBOARD...  
A REMOVABLE PLASTIC...  
A REMOVABLE GLUE...  
A REMOVABLE PAINT...  
A REMOVABLE MARKING...  
A REMOVABLE DECORATION...  
A REMOVABLE ACCESSORIES...  
A REMOVABLE WEAPONS...  
A REMOVABLE EQUIPMENT...  
A REMOVABLE TOOLS...  
A REMOVABLE SUPPLIES...  
A REMOVABLE FOOD...  
A REMOVABLE MEDICAL...  
A REMOVABLE COMMUNICATION...  
A REMOVABLE TRANSPORT...  
A REMOVABLE STORAGE...  
A REMOVABLE PROTECTION...  
A REMOVABLE CAMOUFLAGE...  
A REMOVABLE SIGNALING...  
A REMOVABLE IDENTIFICATION...  
A REMOVABLE RECORDING...  
A REMOVABLE DOCUMENTATION...  
A REMOVABLE ARCHIVING...  
A REMOVABLE PRESERVATION...  
A REMOVABLE RESTORATION...  
A REMOVABLE REPAIR...  
A REMOVABLE MAINTENANCE...  
A REMOVABLE OVERHAUL...  
A REMOVABLE RENOVATION...  
A REMOVABLE RECONSTRUCTION...  
A REMOVABLE REDEMPTION...  
A REMOVABLE REDEMPTION...  
A REMOVABLE REDEMPTION...  
A REMOVABLE REDEMPTION...

**M60A1**  
U.S. ARMY MAIN BATTLE TANK  
TAKOM

1/35

A ALL TERRAIN COMBAT VEHICLE...  
A DETAILED STRETCH COMPARTMENT...  
A REMOVABLE ENGINE COVER...  
A REMOVABLE FRONT ENGINE...  
A REMOVABLE REAR ENGINE...  
A REMOVABLE TURRET...  
A REMOVABLE TRACKS...  
A REMOVABLE WHEELS...  
A REMOVABLE HATCHES...  
A REMOVABLE LIGHTS...  
A REMOVABLE SMOKE...  
A REMOVABLE DUST...  
A REMOVABLE MUD...  
A REMOVABLE OIL...  
A REMOVABLE FUEL...  
A REMOVABLE WATER...  
A REMOVABLE AIR...  
A REMOVABLE GASES...  
A REMOVABLE PARTICLES...  
A REMOVABLE DEBRIS...  
A REMOVABLE SCRAP...  
A REMOVABLE RUBBER...  
A REMOVABLE GLASS...  
A REMOVABLE METAL...  
A REMOVABLE WOOD...  
A REMOVABLE FABRIC...  
A REMOVABLE LEATHER...  
A REMOVABLE PAPER...  
A REMOVABLE CARDBOARD...  
A REMOVABLE PLASTIC...  
A REMOVABLE GLUE...  
A REMOVABLE PAINT...  
A REMOVABLE MARKING...  
A REMOVABLE DECORATION...  
A REMOVABLE ACCESSORIES...  
A REMOVABLE WEAPONS...  
A REMOVABLE EQUIPMENT...  
A REMOVABLE TOOLS...  
A REMOVABLE SUPPLIES...  
A REMOVABLE FOOD...  
A REMOVABLE MEDICAL...  
A REMOVABLE COMMUNICATION...  
A REMOVABLE TRANSPORT...  
A REMOVABLE STORAGE...  
A REMOVABLE PROTECTION...  
A REMOVABLE CAMOUFLAGE...  
A REMOVABLE SIGNALING...  
A REMOVABLE IDENTIFICATION...  
A REMOVABLE RECORDING...  
A REMOVABLE DOCUMENTATION...  
A REMOVABLE ARCHIVING...  
A REMOVABLE PRESERVATION...  
A REMOVABLE RESTORATION...  
A REMOVABLE REPAIR...  
A REMOVABLE MAINTENANCE...  
A REMOVABLE OVERHAUL...  
A REMOVABLE RENOVATION...  
A REMOVABLE RECONSTRUCTION...  
A REMOVABLE REDEMPTION...  
A REMOVABLE REDEMPTION...  
A REMOVABLE REDEMPTION...  
A REMOVABLE REDEMPTION...

**AK-130**  
RUSSIAN NAVY 130MM AUTOMATIC NAVAL GUN  
TAKOM

1/35

A ALL TERRAIN COMBAT VEHICLE...  
A DETAILED STRETCH COMPARTMENT...  
A REMOVABLE ENGINE COVER...  
A REMOVABLE FRONT ENGINE...  
A REMOVABLE REAR ENGINE...  
A REMOVABLE TURRET...  
A REMOVABLE TRACKS...  
A REMOVABLE WHEELS...  
A REMOVABLE HATCHES...  
A REMOVABLE LIGHTS...  
A REMOVABLE SMOKE...  
A REMOVABLE DUST...  
A REMOVABLE MUD...  
A REMOVABLE OIL...  
A REMOVABLE FUEL...  
A REMOVABLE WATER...  
A REMOVABLE AIR...  
A REMOVABLE GASES...  
A REMOVABLE PARTICLES...  
A REMOVABLE DEBRIS...  
A REMOVABLE SCRAP...  
A REMOVABLE RUBBER...  
A REMOVABLE GLASS...  
A REMOVABLE METAL...  
A REMOVABLE WOOD...  
A REMOVABLE FABRIC...  
A REMOVABLE LEATHER...  
A REMOVABLE PAPER...  
A REMOVABLE CARDBOARD...  
A REMOVABLE PLASTIC...  
A REMOVABLE GLUE...  
A REMOVABLE PAINT...  
A REMOVABLE MARKING...  
A REMOVABLE DECORATION...  
A REMOVABLE ACCESSORIES...  
A REMOVABLE WEAPONS...  
A REMOVABLE EQUIPMENT...  
A REMOVABLE TOOLS...  
A REMOVABLE SUPPLIES...  
A REMOVABLE FOOD...  
A REMOVABLE MEDICAL...  
A REMOVABLE COMMUNICATION...  
A REMOVABLE TRANSPORT...  
A REMOVABLE STORAGE...  
A REMOVABLE PROTECTION...  
A REMOVABLE CAMOUFLAGE...  
A REMOVABLE SIGNALING...  
A REMOVABLE IDENTIFICATION...  
A REMOVABLE RECORDING...  
A REMOVABLE DOCUMENTATION...  
A REMOVABLE ARCHIVING...  
A REMOVABLE PRESERVATION...  
A REMOVABLE RESTORATION...  
A REMOVABLE REPAIR...  
A REMOVABLE MAINTENANCE...  
A REMOVABLE OVERHAUL...  
A REMOVABLE RENOVATION...  
A REMOVABLE RECONSTRUCTION...  
A REMOVABLE REDEMPTION...  
A REMOVABLE REDEMPTION...  
A REMOVABLE REDEMPTION...  
A REMOVABLE REDEMPTION...

**CADS-NI KASHATAN CIM5**  
RUSSIAN NAVY  
TAKOM

1/35

A ALL TERRAIN COMBAT VEHICLE...  
A DETAILED STRETCH COMPARTMENT...  
A REMOVABLE ENGINE COVER...  
A REMOVABLE FRONT ENGINE...  
A REMOVABLE REAR ENGINE...  
A REMOVABLE TURRET...  
A REMOVABLE TRACKS...  
A REMOVABLE WHEELS...  
A REMOVABLE HATCHES...  
A REMOVABLE LIGHTS...  
A REMOVABLE SMOKE...  
A REMOVABLE DUST...  
A REMOVABLE MUD...  
A REMOVABLE OIL...  
A REMOVABLE FUEL...  
A REMOVABLE WATER...  
A REMOVABLE AIR...  
A REMOVABLE GASES...  
A REMOVABLE PARTICLES...  
A REMOVABLE DEBRIS...  
A REMOVABLE SCRAP...  
A REMOVABLE RUBBER...  
A REMOVABLE GLASS...  
A REMOVABLE METAL...  
A REMOVABLE WOOD...  
A REMOVABLE FABRIC...  
A REMOVABLE LEATHER...  
A REMOVABLE PAPER...  
A REMOVABLE CARDBOARD...  
A REMOVABLE PLASTIC...  
A REMOVABLE GLUE...  
A REMOVABLE PAINT...  
A REMOVABLE MARKING...  
A REMOVABLE DECORATION...  
A REMOVABLE ACCESSORIES...  
A REMOVABLE WEAPONS...  
A REMOVABLE EQUIPMENT...  
A REMOVABLE TOOLS...  
A REMOVABLE SUPPLIES...  
A REMOVABLE FOOD...  
A REMOVABLE MEDICAL...  
A REMOVABLE COMMUNICATION...  
A REMOVABLE TRANSPORT...  
A REMOVABLE STORAGE...  
A REMOVABLE PROTECTION...  
A REMOVABLE CAMOUFLAGE...  
A REMOVABLE SIGNALING...  
A REMOVABLE IDENTIFICATION...  
A REMOVABLE RECORDING...  
A REMOVABLE DOCUMENTATION...  
A REMOVABLE ARCHIVING...  
A REMOVABLE PRESERVATION...  
A REMOVABLE RESTORATION...  
A REMOVABLE REPAIR...  
A REMOVABLE MAINTENANCE...  
A REMOVABLE OVERHAUL...  
A REMOVABLE RENOVATION...  
A REMOVABLE RECONSTRUCTION...  
A REMOVABLE REDEMPTION...  
A REMOVABLE REDEMPTION...  
A REMOVABLE REDEMPTION...  
A REMOVABLE REDEMPTION...