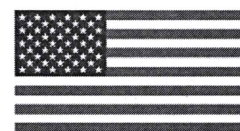




LIMITED EDITION

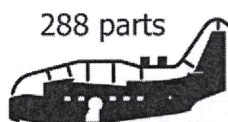
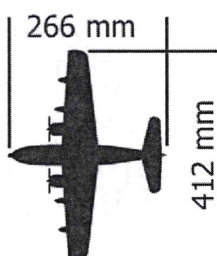
SOVA-M
SVM-72036

SHU-16B Albatross



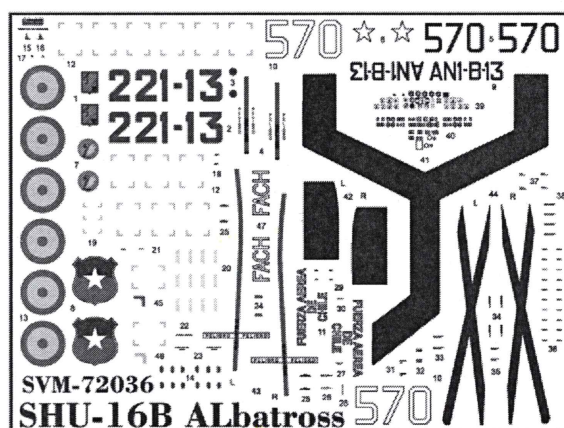
UNASSEMBLED PLASTIC MODEL KITS

SCALE:1/72



DECALS

TWO VERSION
OF COLOURING



First prototype of amphibia airplane rose into the air in october 1947. Good speed characteristics were ensured by two ten-cylinder engines R-1820-76A, 1425 h.p. each. After the test program, US Navy has adopted new hydroplan for armament. First serial amphibians were produced by Grumman company in June 1949 in SA-16A version (Search Amphibian). In January 1956 new version SA-16B was built with the larger wing-span. Hydroplanes were actively used during the Korean war and in Vietnam. After long patrolling, additional fuselage tank and two suspended vessels under the wing were installed – this allowed to prolong the flight, total duration being 12-14 hours. In Korea and in Vietnam crews of amphibians managed to save lifes of 229 pilots. In total 464 aircraft were built in various modifications.

The model is executed on technology short run and is intended only for experienced modelers.

Word-wide distributor for Sova-M kits:
ModelSvit Balkans Ltd. 4003 Plovdiv,
Bulgaria 9, zk Maritza Gardens.
Tel. +359 32 397 069,
E-Mail: modelsvitbalkans@gmail.com
MADE IN UKRAINE

PAINTS

- | | |
|--------------------------------------|-------------------------------------|
| A HUMBROL 34
WHITE | B HUMBROL 11
SILVER |
| C HUMBROL 129
US GULL GREY | D HUMBROL 145
MEDIUM GREY |
| E HUMBROL 33
BLACK | F HUMBROL 19
RED |
| G HUMBROL 182
RUBBER | H HUMBROL 24
YELLOW |
| I HUMBROL 14
BLUE | J HUMBROL 41
IVORY |

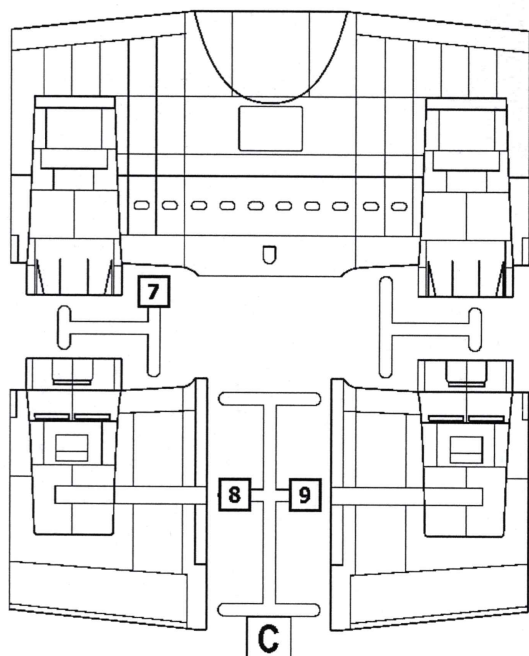
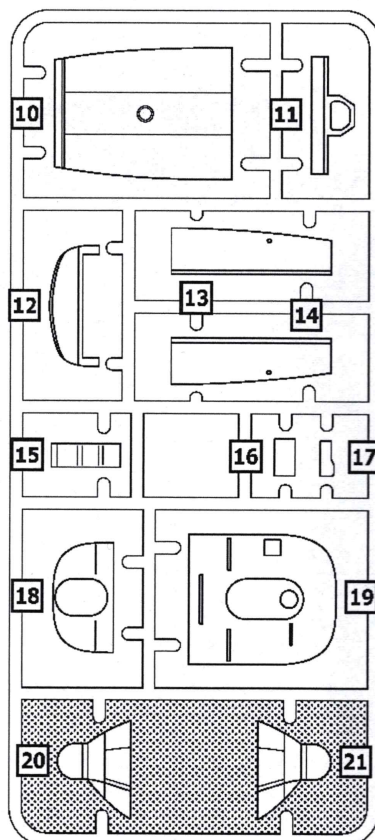
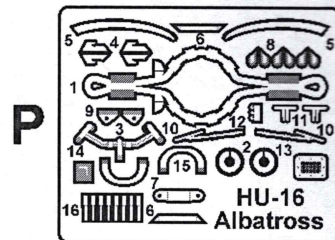
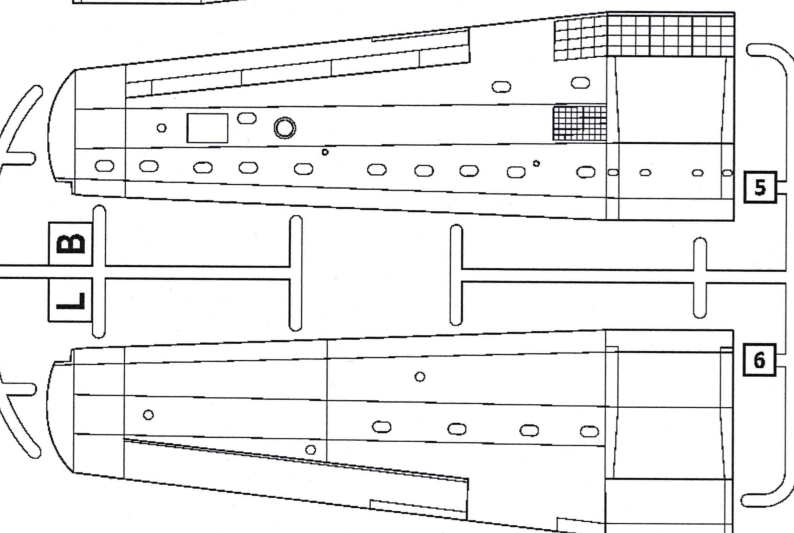
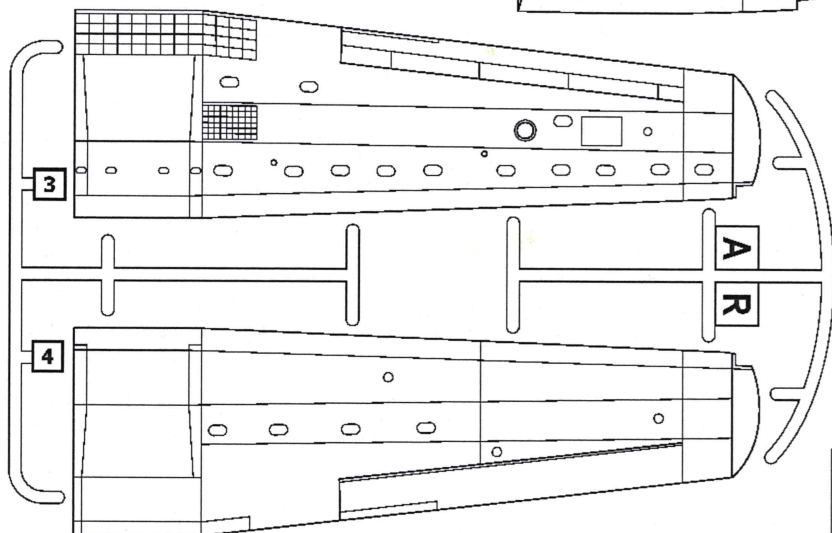
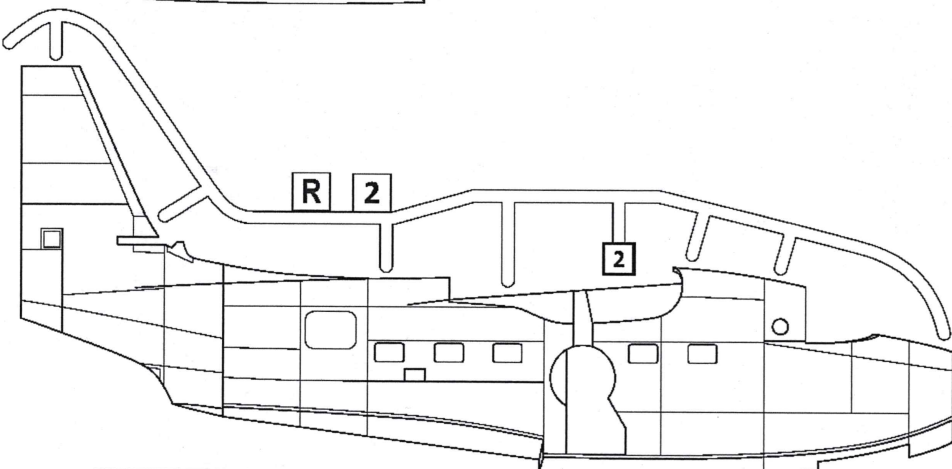
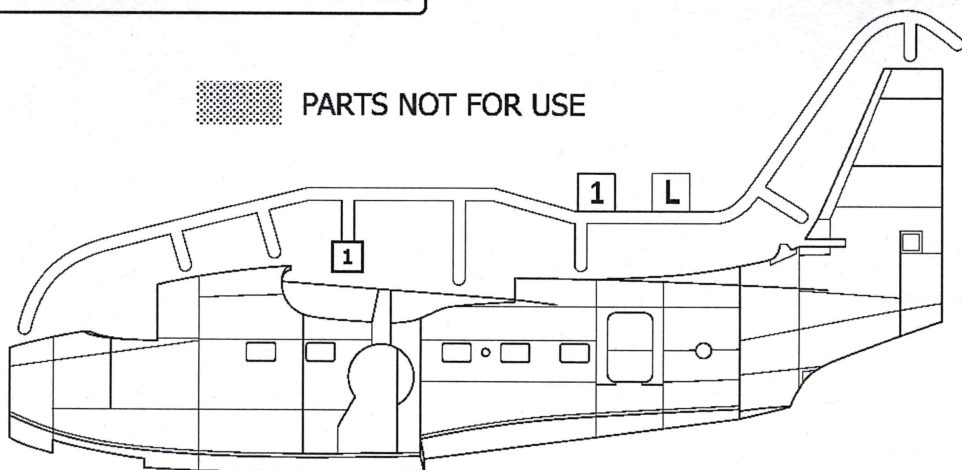
SYMBOLS

- | | | |
|----------------------------------|-------------------|---------------|
| 1 STAGES OF ASSEMBLY | TO PAINT | TO BEND |
| 1 NUMBER PARTS | GLUE | SCRATCH BUILT |
| APPLY DECALS | DON'T GLUE | OPEN HOLE |
| x2 QUANTITY OF OPERATIONS | НА ВИБІР OPTIONAL | CAT OUT |

SET OF THE PARTS



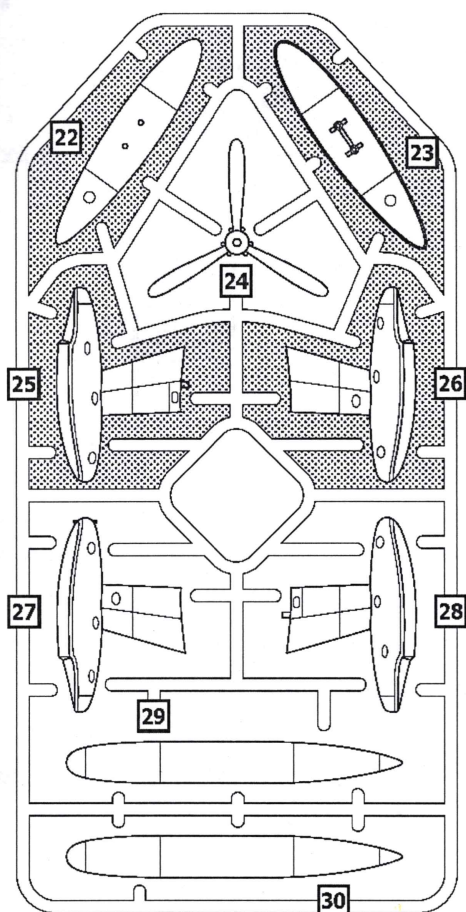
 PARTS NOT FOR USE



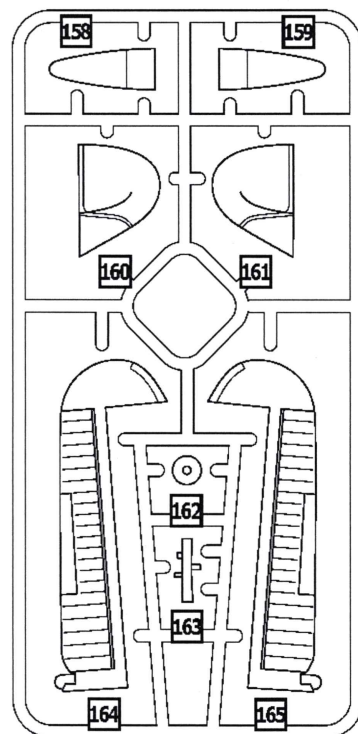
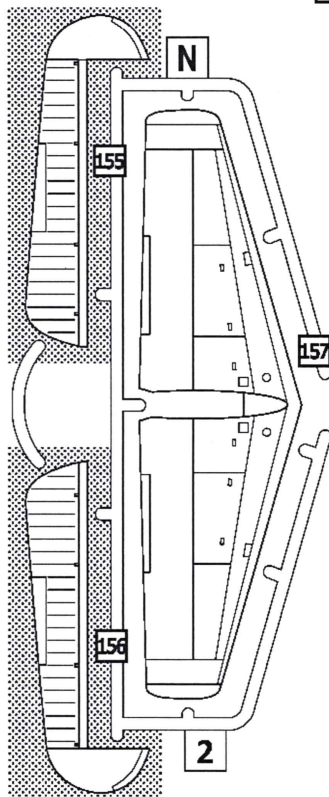
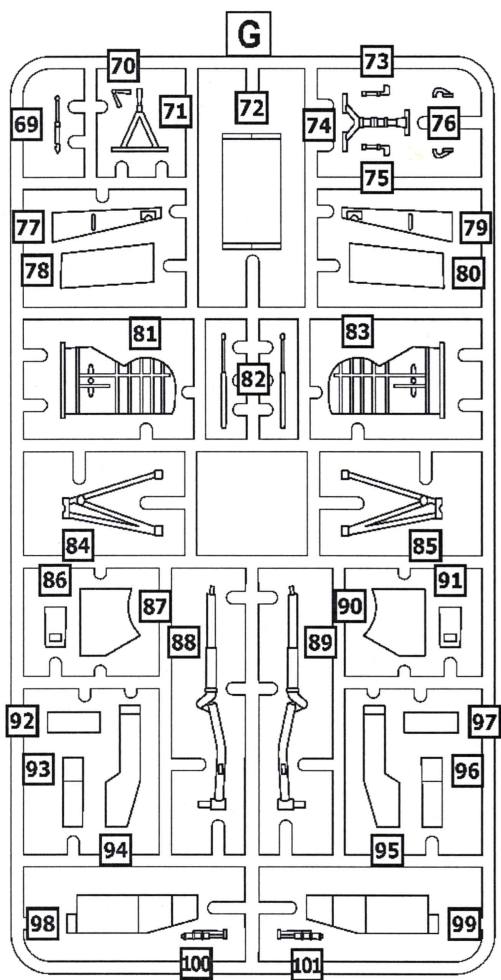
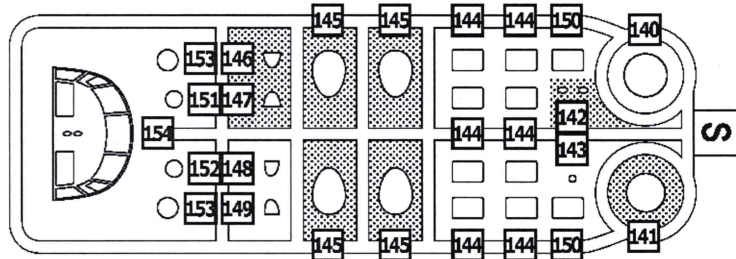
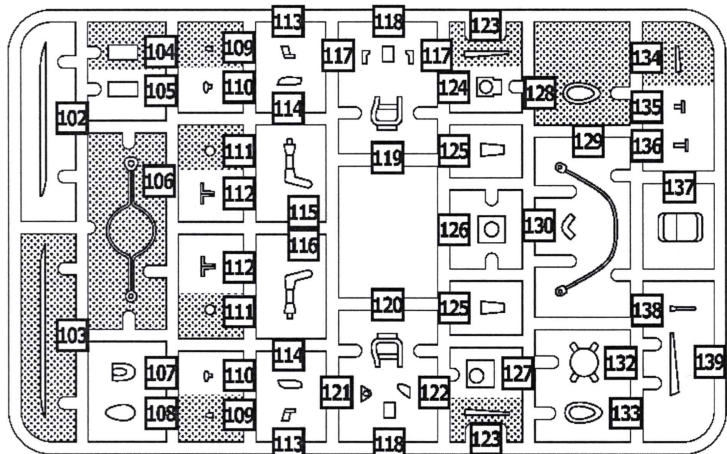
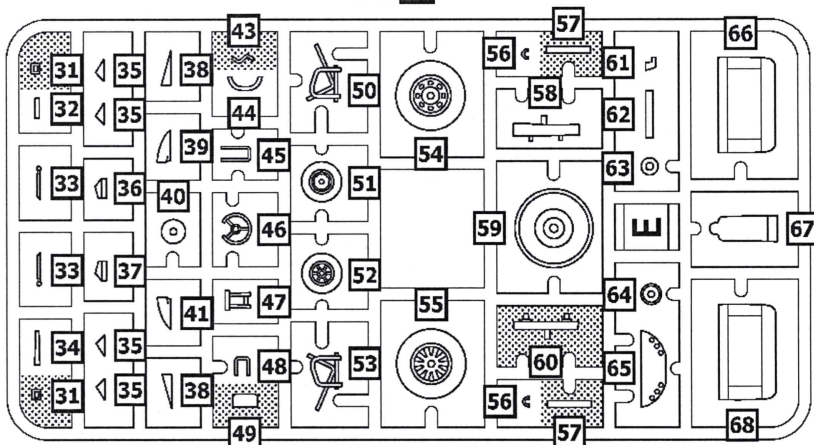
SET OF THE PARTS



x2



x2

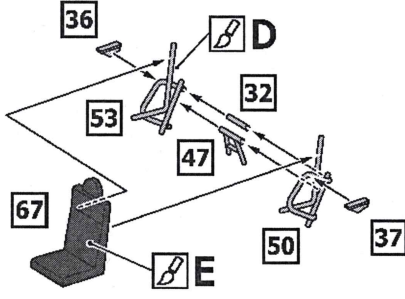


ASSEMBLY INSTRUCTION



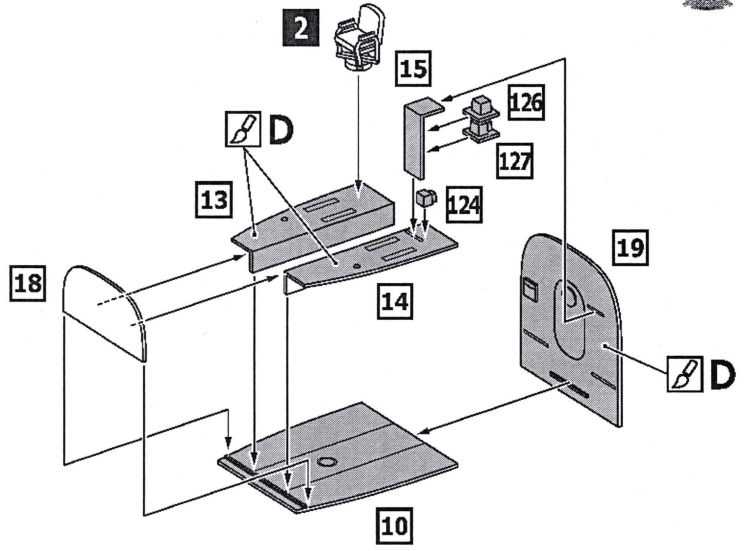
1 x2

- 32 x2
- 36 x2
- 37 x2
- 47 x2
- 50 x2
- 53 x2
- 67 x2



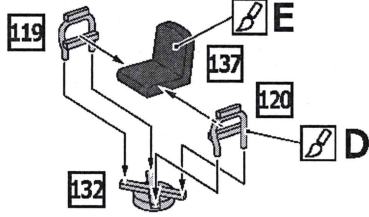
3

- 2
- 10
- 13
- 14
- 15
- 18
- 19
- 124
- 126
- 127



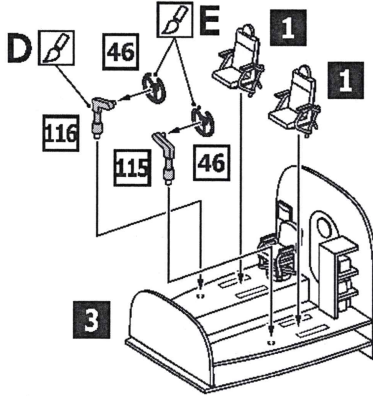
2

- 119
- 120
- 132
- 137



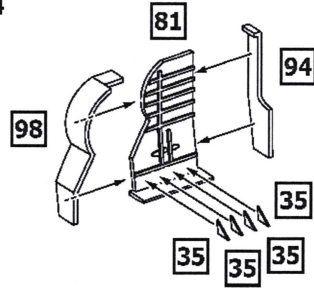
4

- 1 x2
- 3
- 46 x2
- 115
- 116



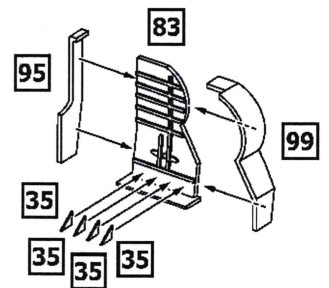
5

- 35 x4
- 81
- 94
- 98



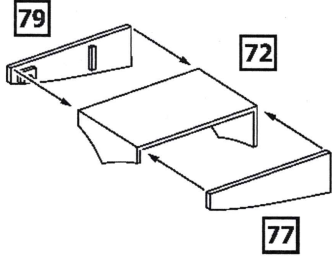
6

- 35 x4
- 83
- 95
- 99



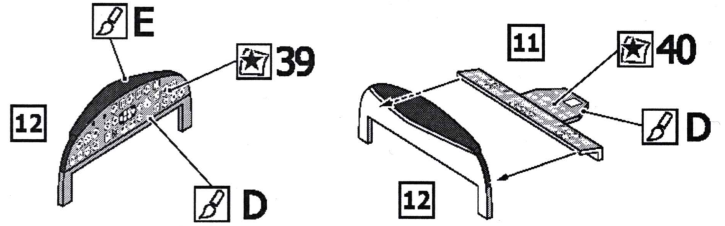
7

- 72
- 77
- 79



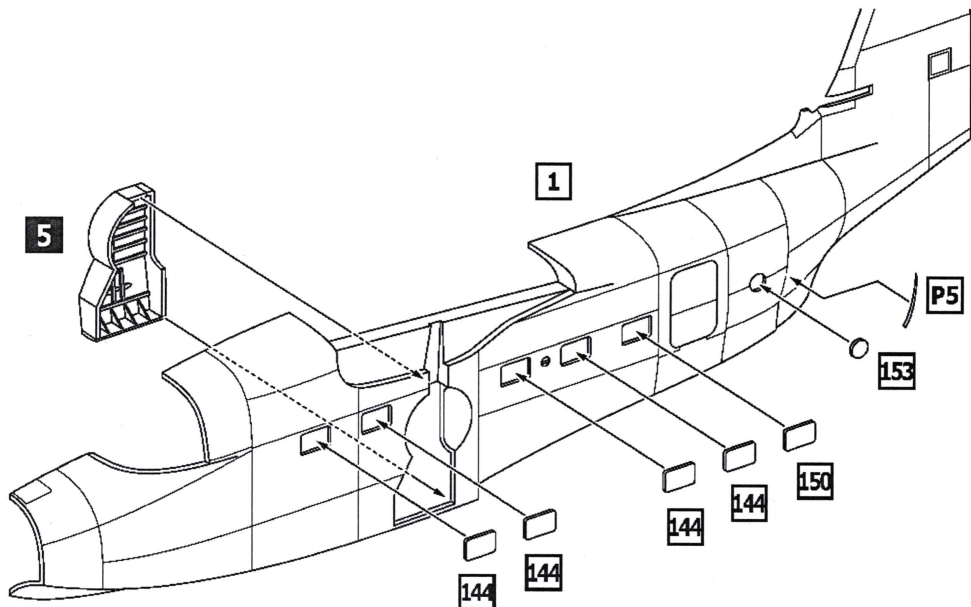
8

- 11
- 12

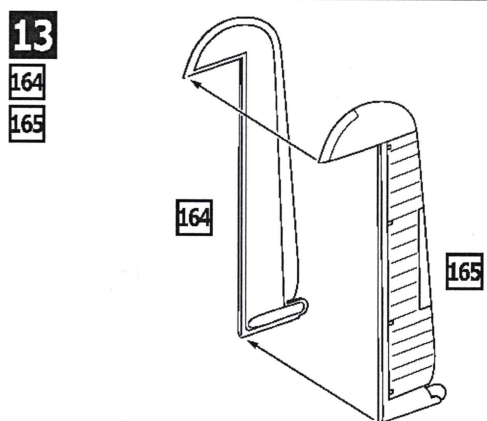
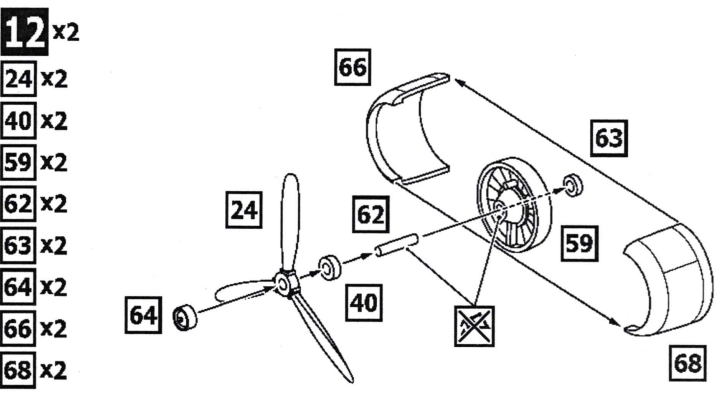
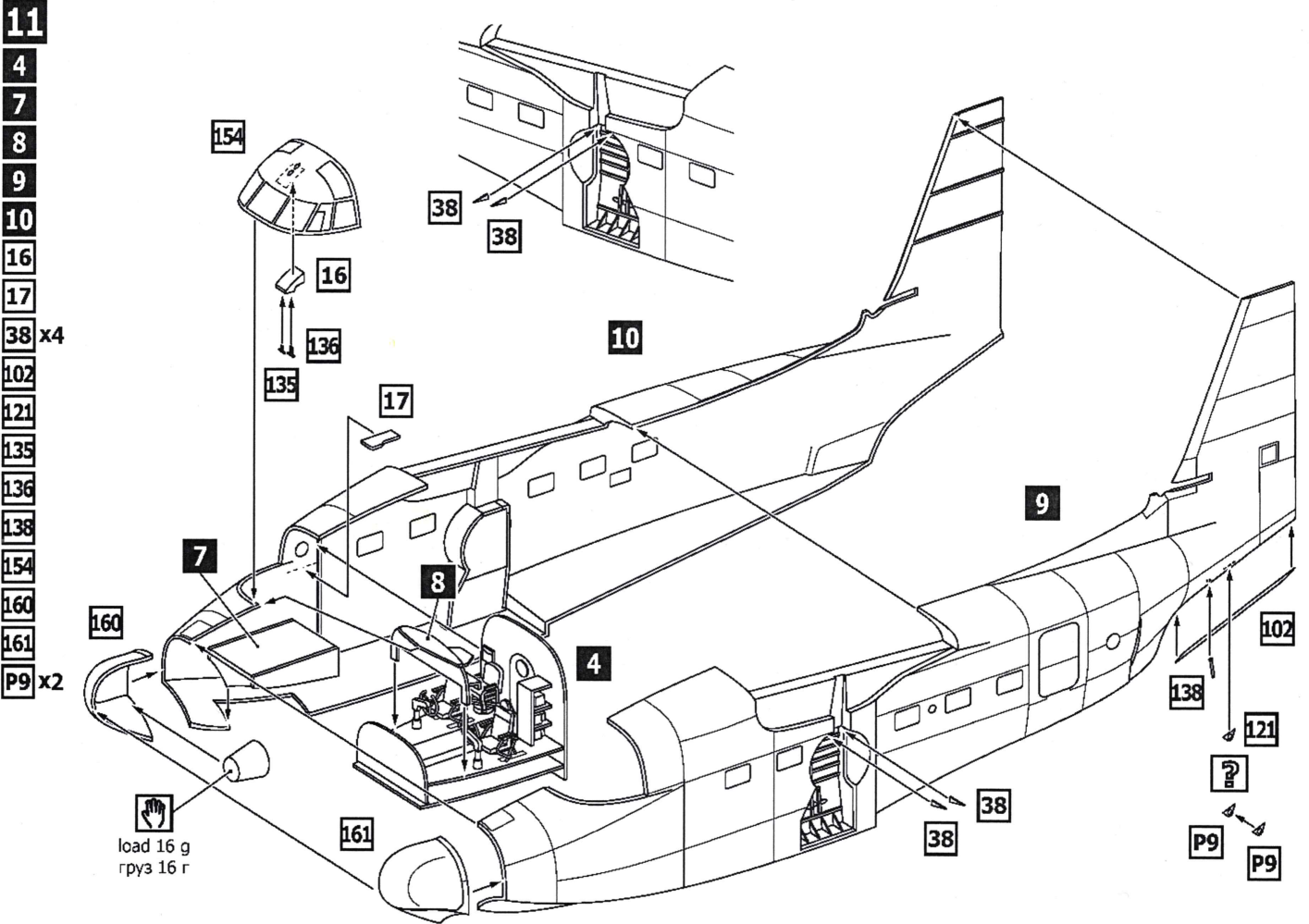
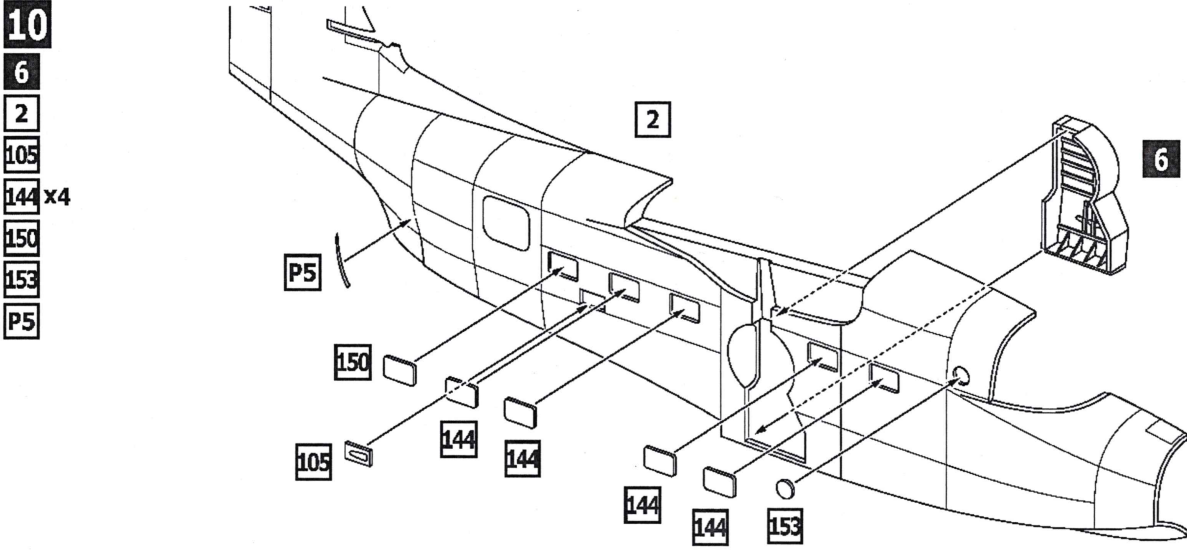


9

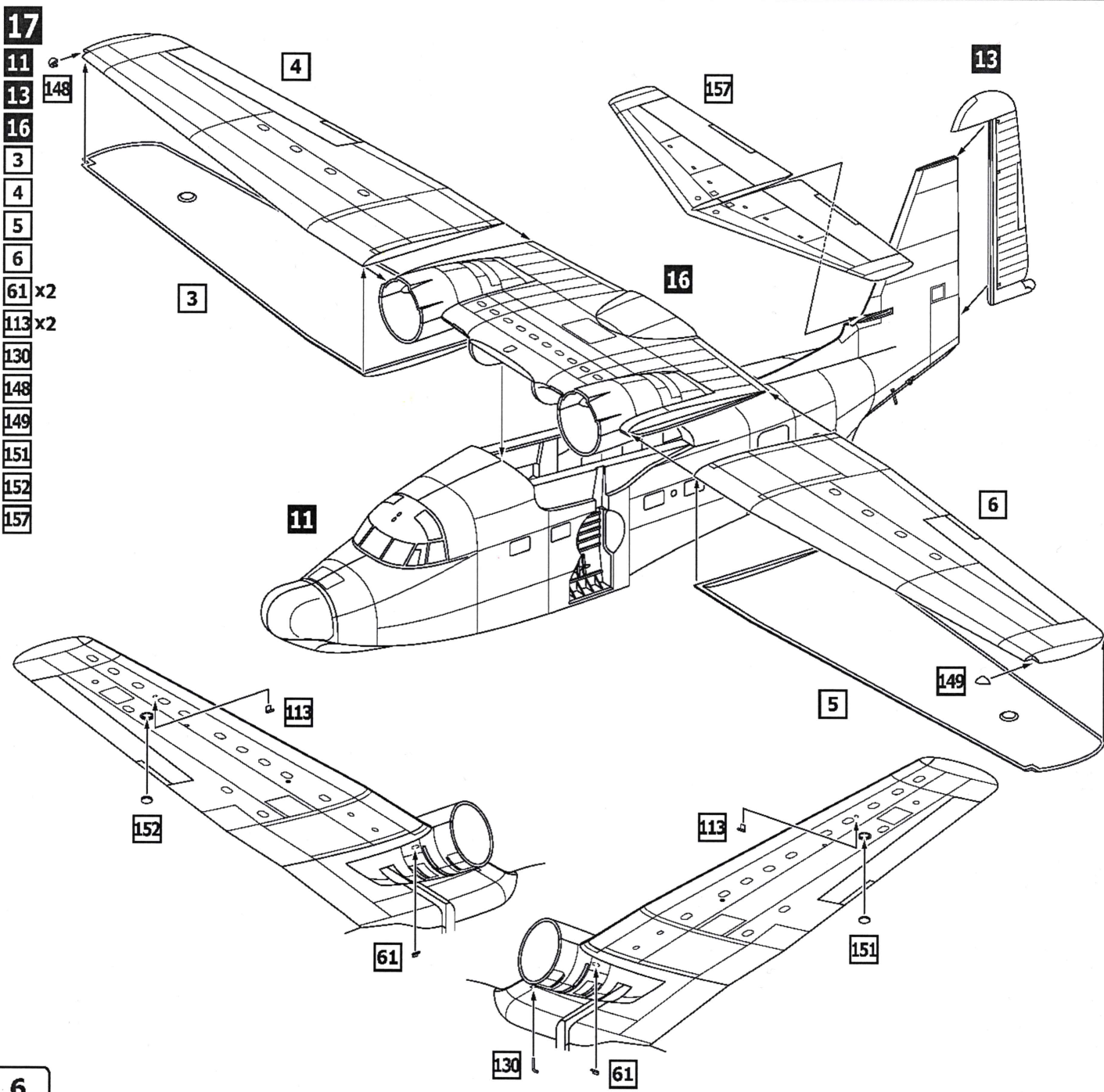
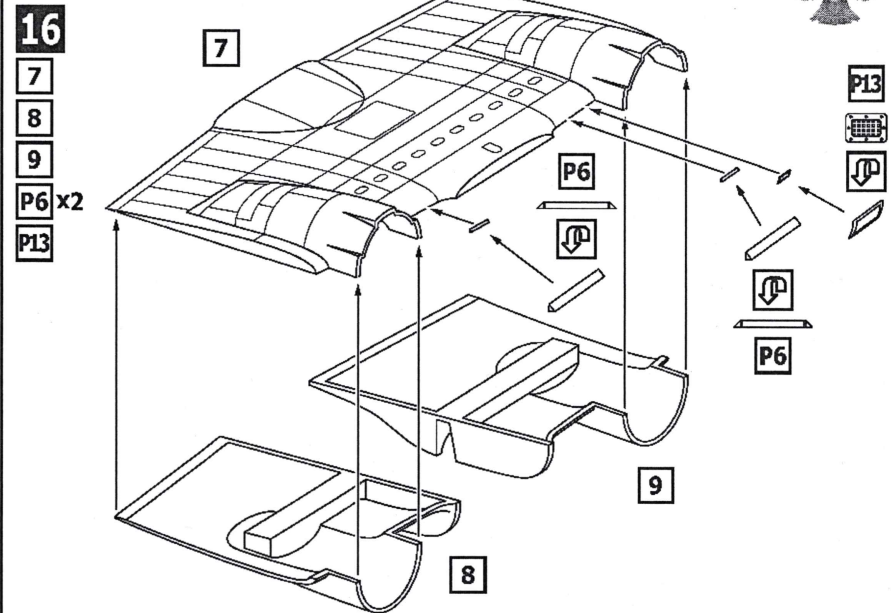
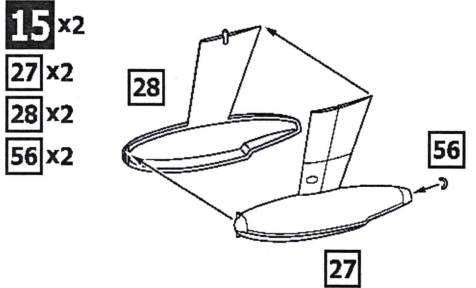
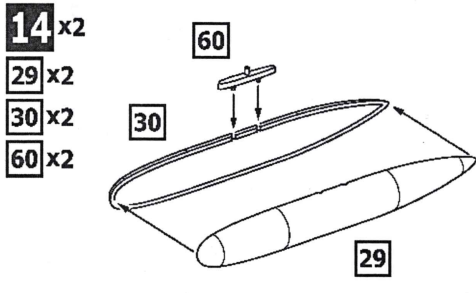
- 5
- 1
- 144 x4
- 150
- 153
- P5



ASSEMBLY INSTRUCTION



ASSEMBLY INSTRUCTION



ASSEMBLY INSTRUCTION



18

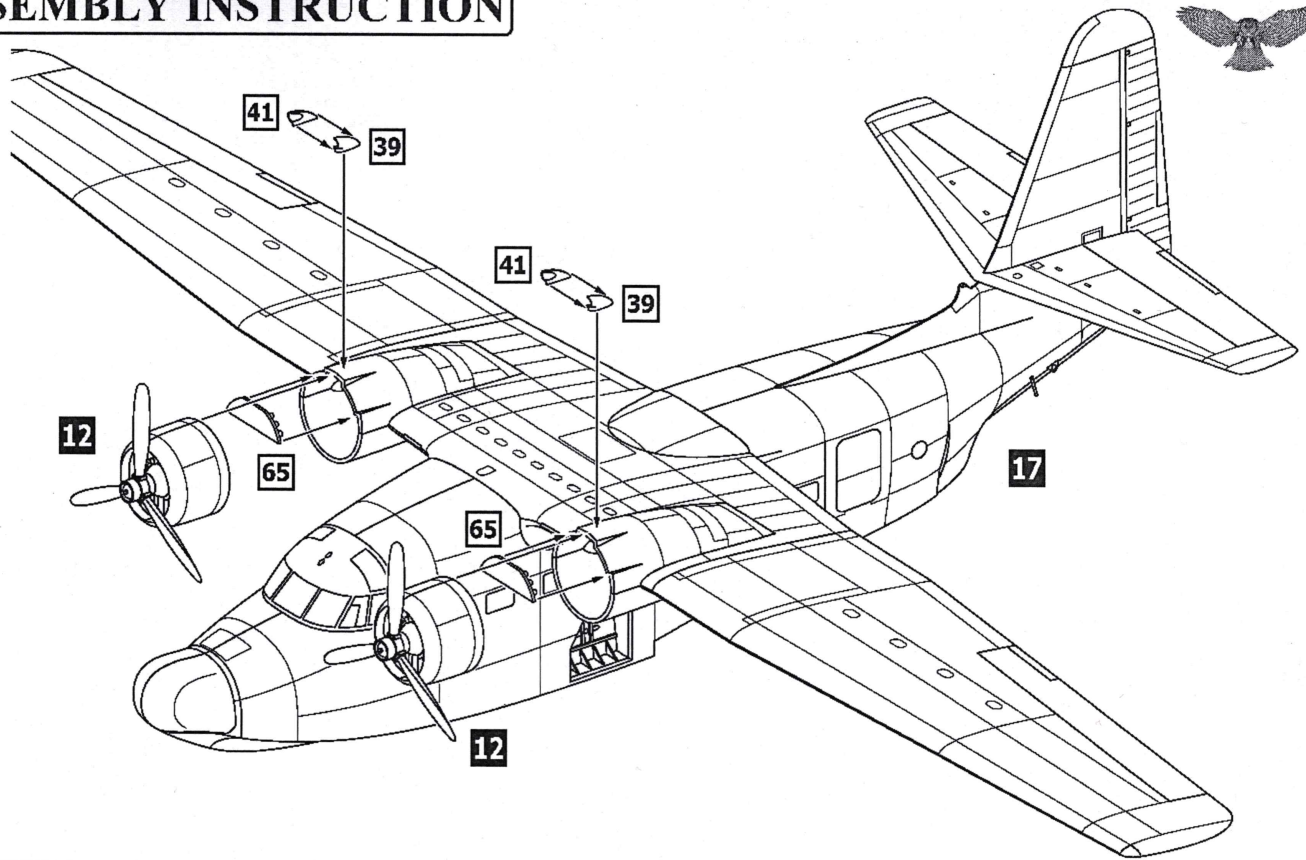
12 x2

17

39 x2

41 x2

65 x2



19

45

48

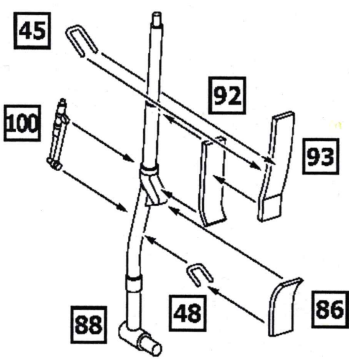
86

88

92

93

100



20

45

48

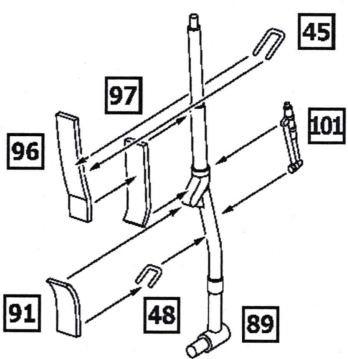
89

91

96

97

101



21

51 x2

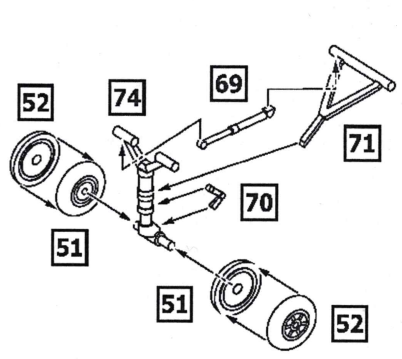
52 x2

69

70

71

74



22

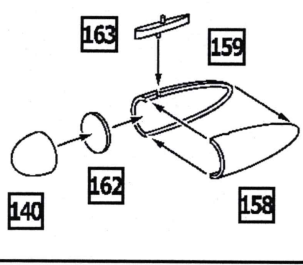
140

158

159

162

163



23

15

18

20

33

54

55

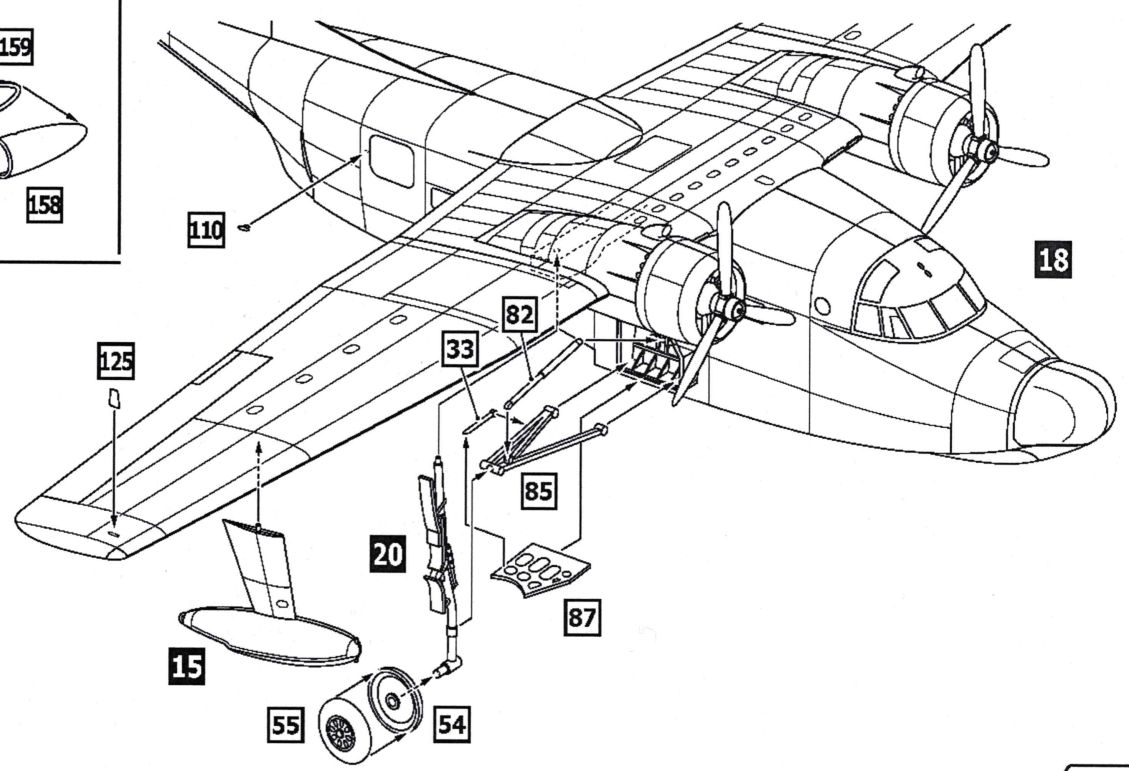
82

85

87

110

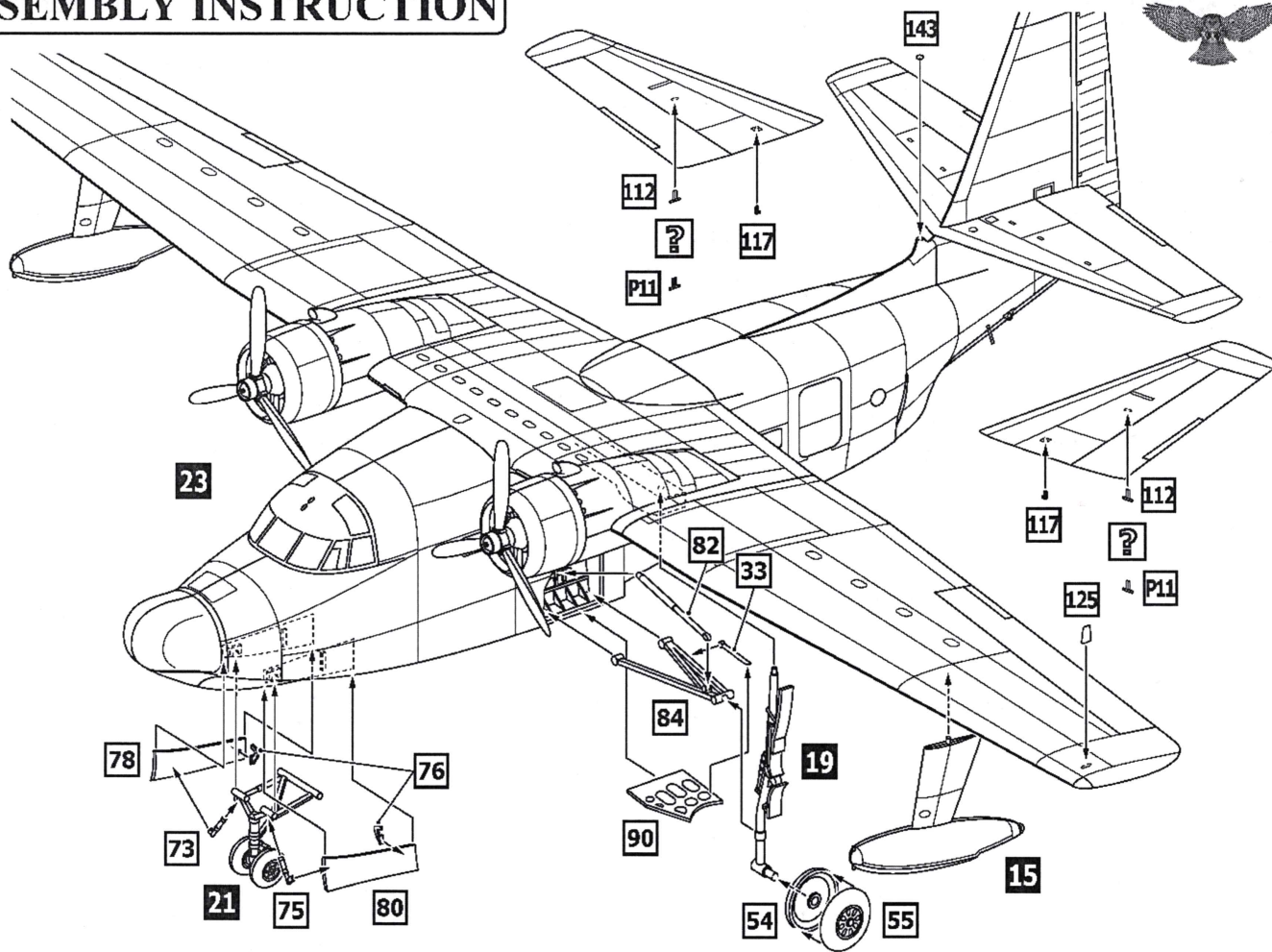
125



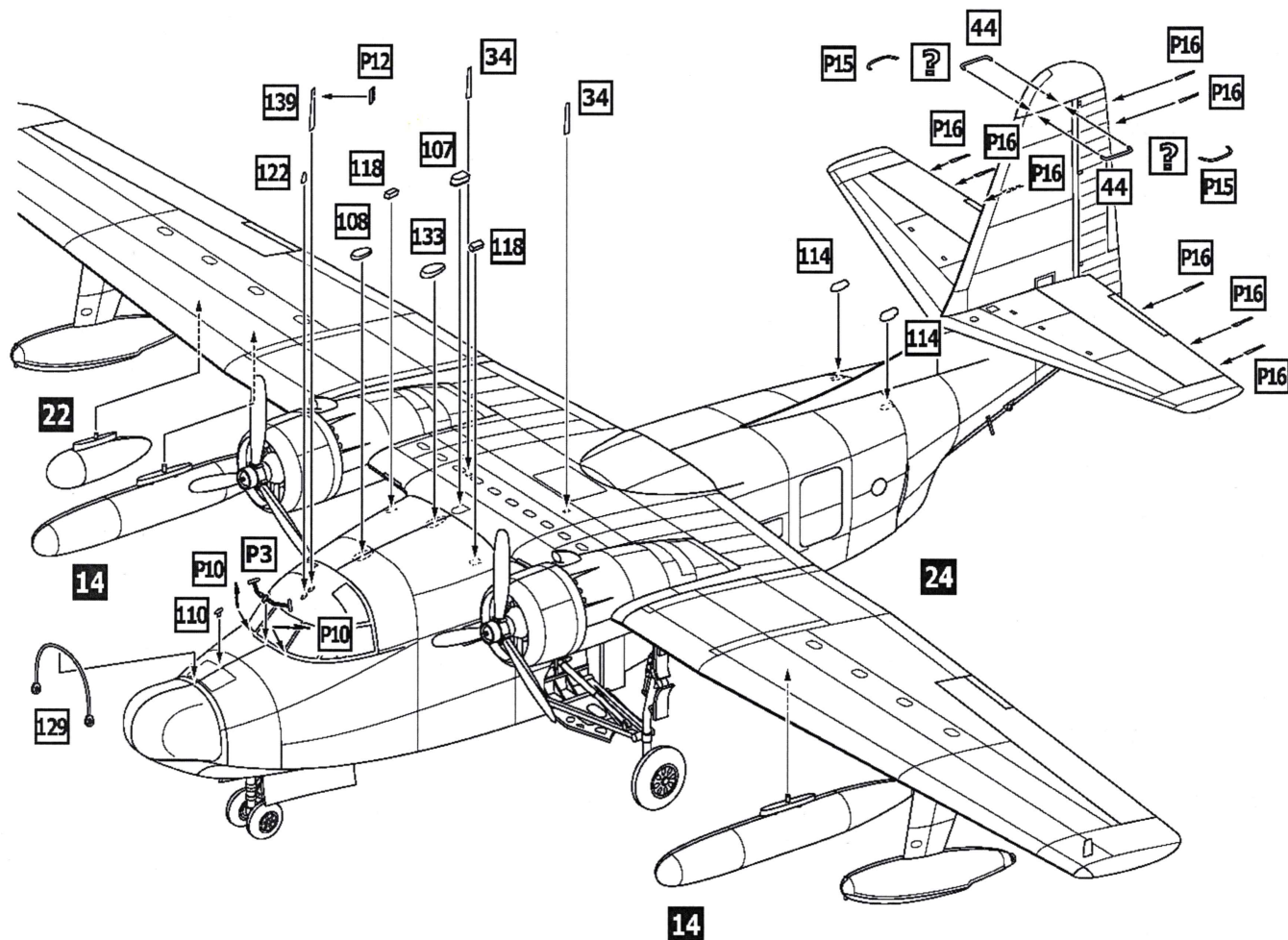
ASSEMBLY INSTRUCTION



- 24**
- 15**
- 19**
- 21**
- 23**
- 33**
- 54**
- 55**
- 73**
- 75**
- 76** x2
- 78**
- 80**
- 82**
- 84**
- 90** x2
- 112** x2
- 117**
- 125**
- 143**
- P11** x2

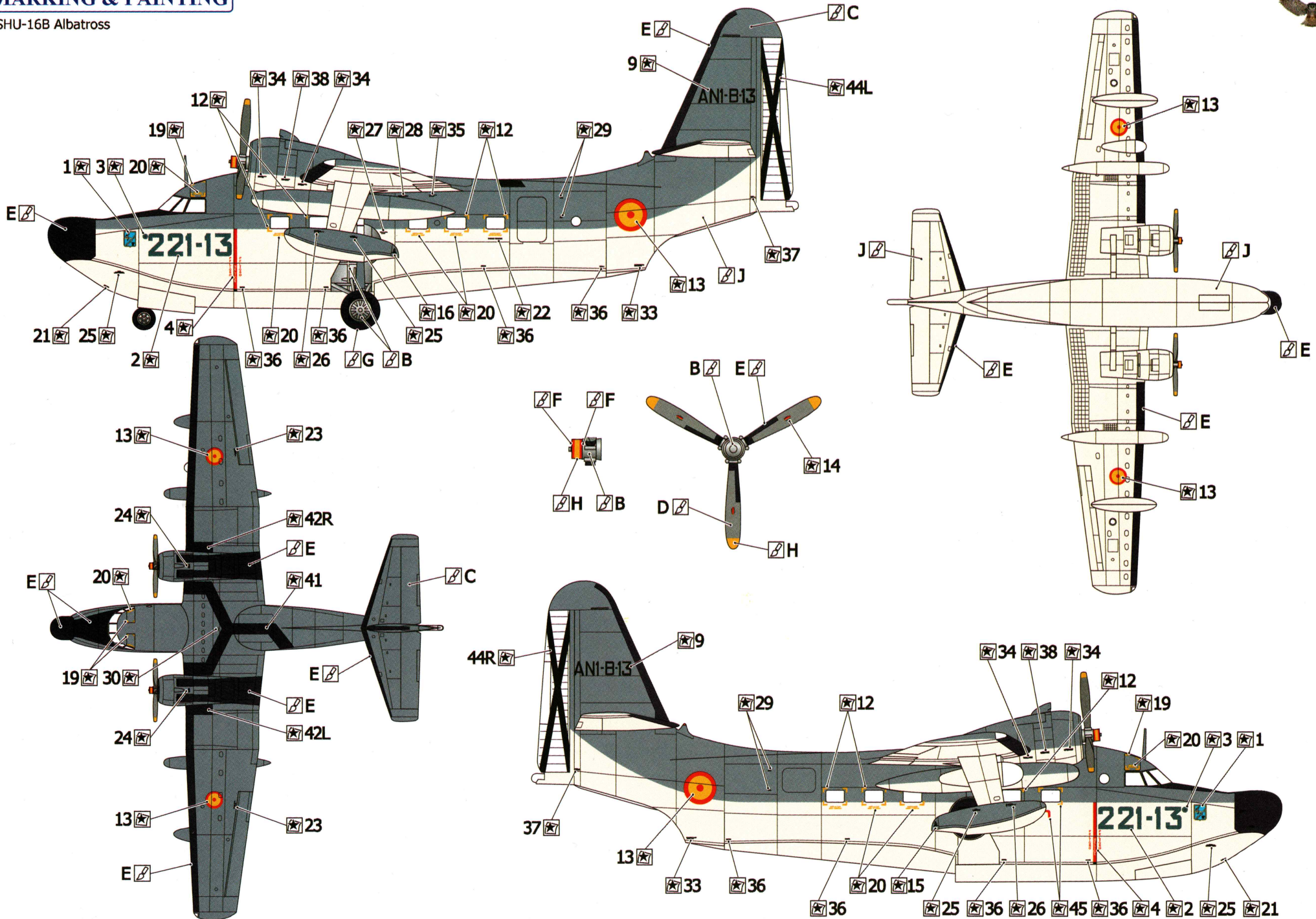


- 25**
- 14** x2
- 22**
- 24**
- 34** x2
- 44** x2
- 107**
- 108**
- 110**
- 114** x2
- 118** x2
- 122**
- 129**
- 133**
- 139**
- P3**
- P10** x2
- P12**
- P15** x2
- P16** x8



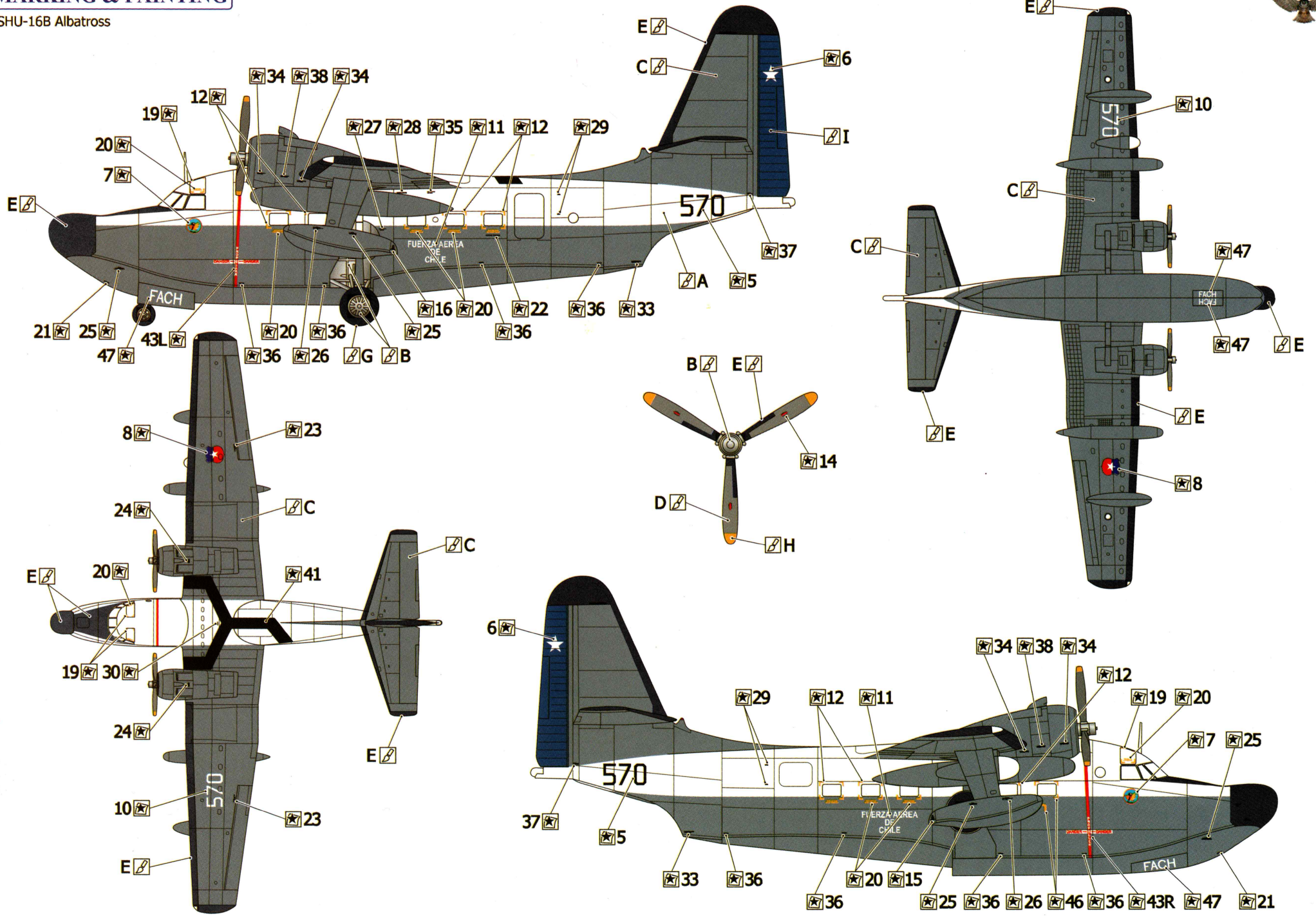
MARKING & PAINTING

SHU-16B Albatross



MARKING & PAINTING

SHU-16B Albatross



15 16
17



SVM-72036

SHU-16B ALbatross



221-13
221-13



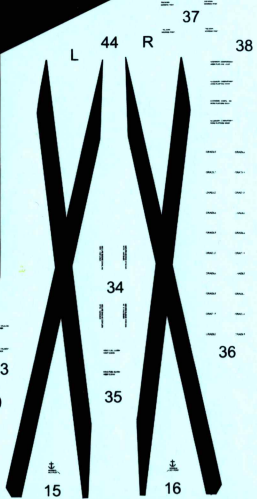
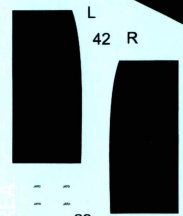
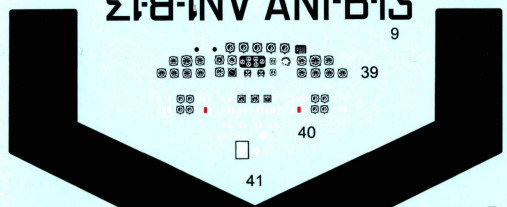
FACH FACH

FUERZA AEREA DE CHILE

FACH FACH

570 ★ 6 ★ 570⁵ 570

ΣI-B-1N7 ANI-B-13



570