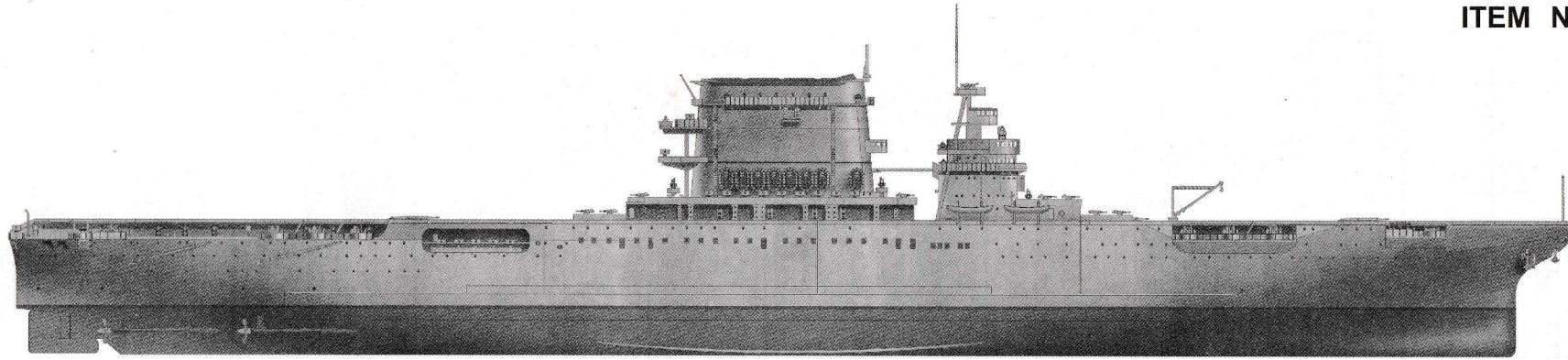


ITEM NO.05608



USS CV-2 Lexington carrier 05/1942

1:350 Scale

美国海军CV-2列克星敦号航空母舰1942.5

READ BEFORE ASSEMBLY

- Study and understand these instructions thoroughly before beginning assembly. Make sure all parts are included by comparing them to those shown on pages 2 & 3 of these instructions.
- Remove parts from sprues as needed, and trim excess with a hobby knife. Be careful not to lose small parts.
- Remove photo-etch parts from sprue as needed using a hobby knife or photo etch cutter.
- Apply cement to photo etch parts as shown on instructions. Applying too much cement will restrict the operation of these

movable parts. Apply cement carefully! Removed photo etch parts can have sharp edges. Take care when handling these to avoid injury.

- Apply decals to necessary parts prior to assembly.
- Additional tools recommended(not included):Sprue cutter, Long nose pliers, hobby knife, file, tweezers, pin vise, scissors, cement, sandpaper, soft cloth, glue and paint.
- Keep all parts out of reach of children, as they pose a choking hazard. Discard all unnecessary bags and sprues when model is completed to avoid accidental injury.

装配之前仔细阅读

- 小心用模型锉刀锉平所有零件表面的注射浇口。
- 小心用刀片切下蚀刻片零件，不要遗失小零件。
- 用强力快干胶水粘合蚀刻片零件和金属轴。过量的快干胶水使用可能导致可动零件会粘住，小心涂胶。
- 取蚀刻片时应特别注意安全，防止利边划伤手指。
- 某些零件表面需贴上水贴纸，请选择在装配的同时进行。
- 推荐模型工具(自备)：胶水，水口剪刀，长咀钳，刀片，锉刀，镊子钳，钻，剪刀，瞬间快干胶。
- 软布同砂纸同时也应该是必备工具。
- 请使用塑料胶水和油漆，模型内不含。
- 谨防小孩吸吮塑料零件，或者将塑料袋套在头上，制作时应将套材远离小孩接触。

水贴纸的使用:

1. 从水贴上剪下印花;
2. 将印花放入温水中浸10秒, 然后放在干净布上。
3. 拿着印花纸板将印花移到模型上;
4. 手指蘸水将印花移到适当的位置;
5. 用软布轻压印花直至水干, 汽泡消失。

DECAL APPLICATION

1. Cut off decal from sheet.
2. Dip the decal in tepid water 40°C for about 10 sec. and place on a clean cloth.
3. Hold the backing sheet edge and slide decal onto the model.
4. Move decal into position by wetting decal with finger.
5. Press decal gently down with a soft cloth until excess water and air bubbles are gone.



cyanoacrylate glue
使用强力胶



weight
配重



make hole
钻孔



cut / remove
切除



option
选择



no cement
不涂胶水



decal
贴纸



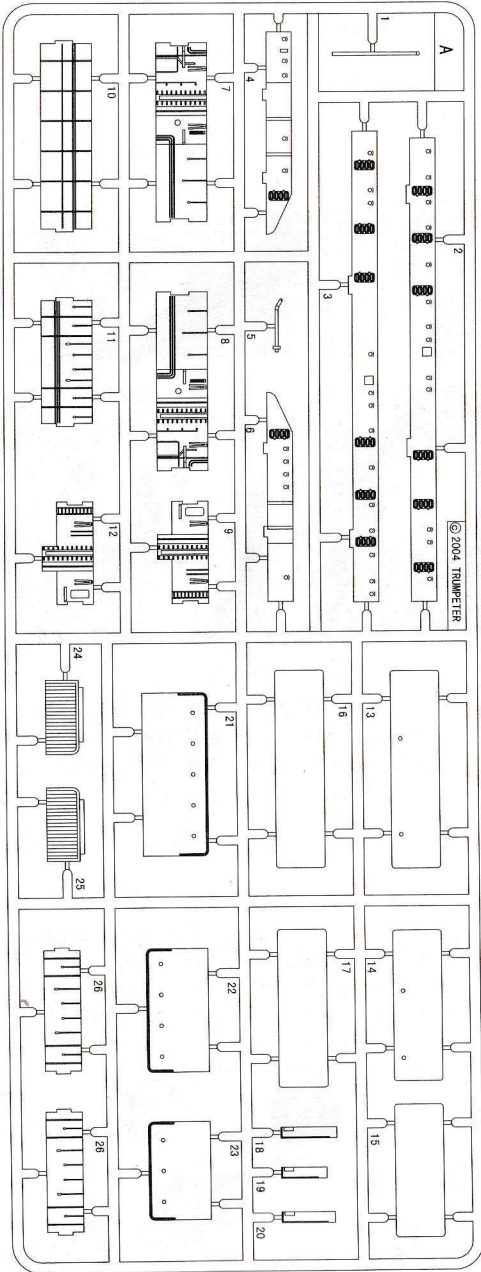
bend
弯曲



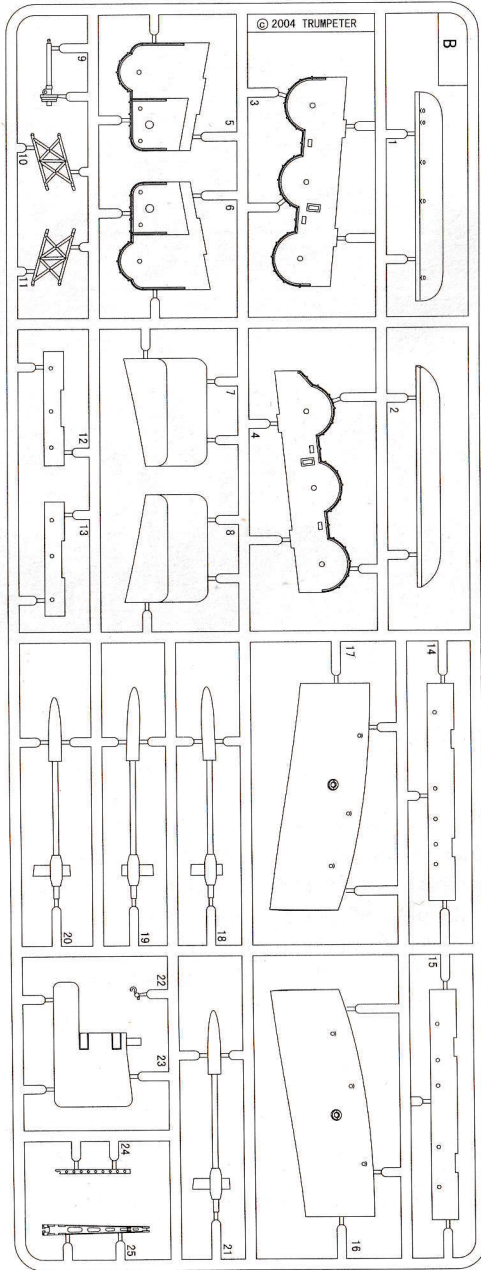
file / sand
锉平

部品图 Parts

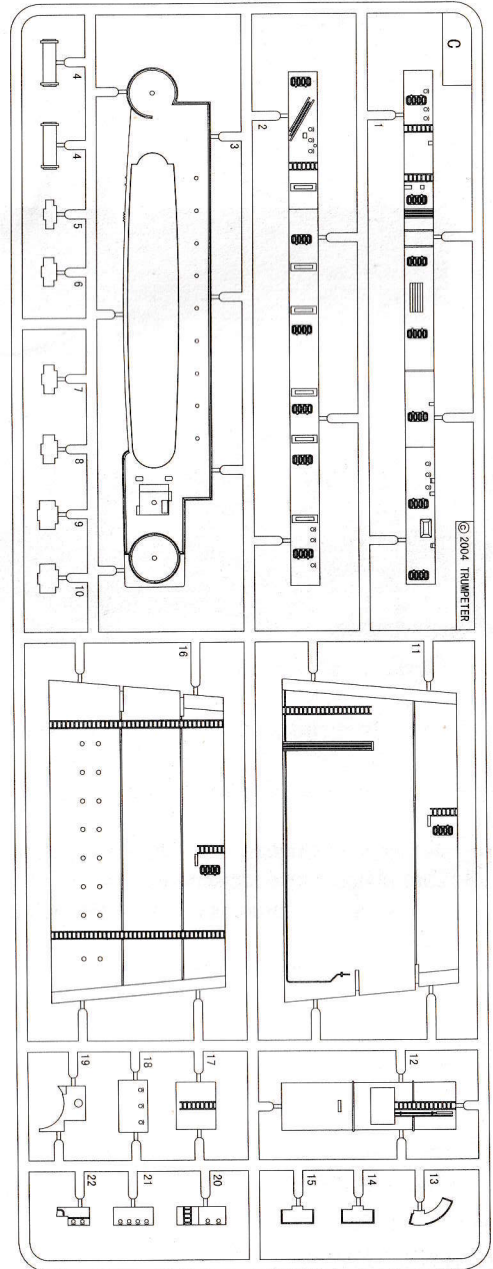
A

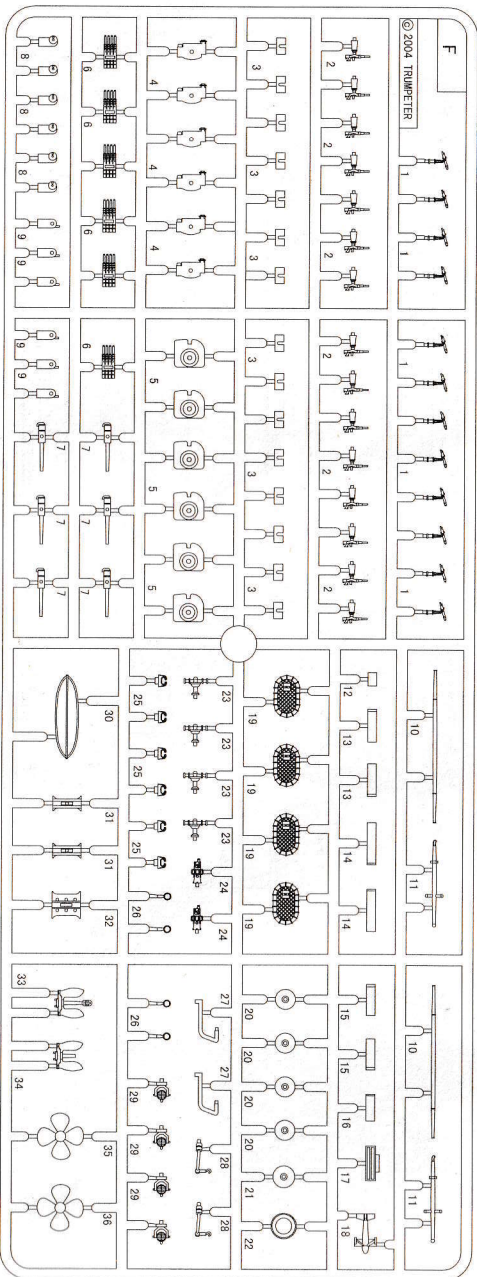


B

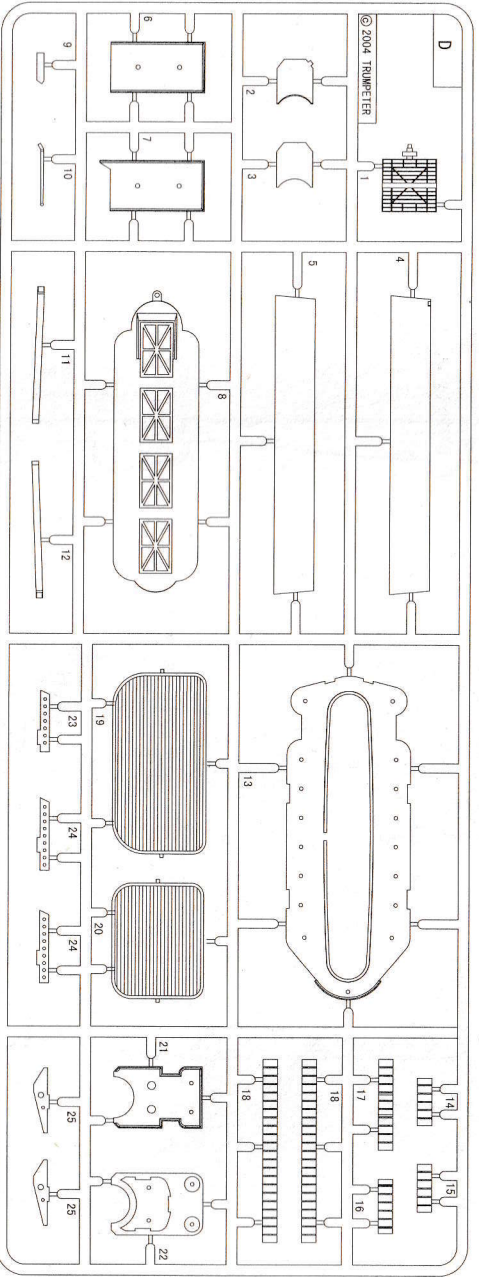
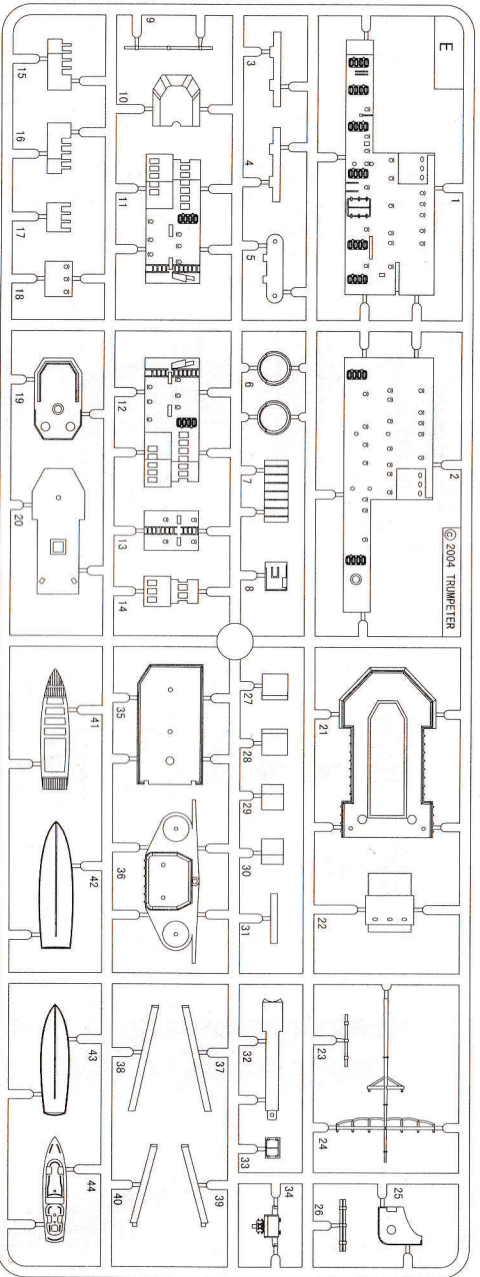


C

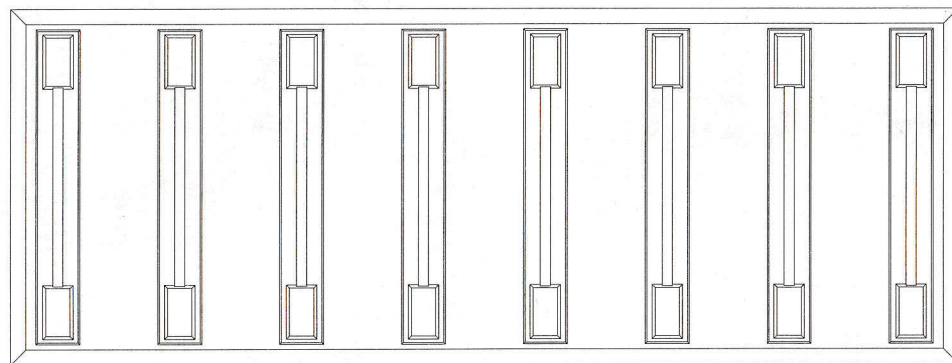




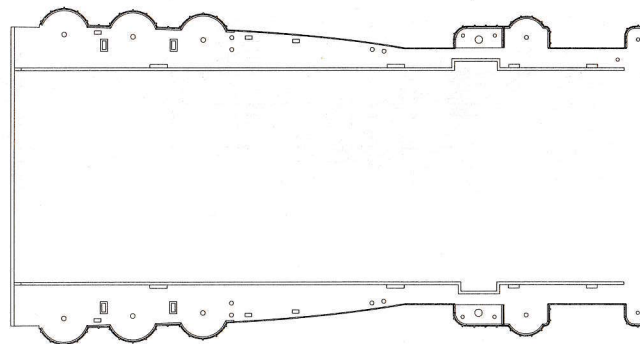
F × 2



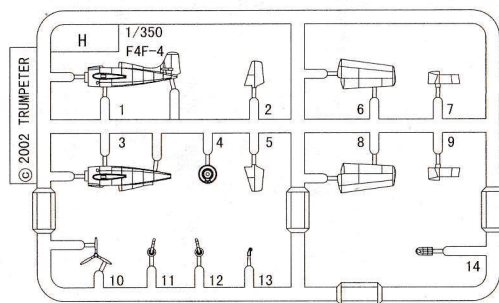
座架
Stand



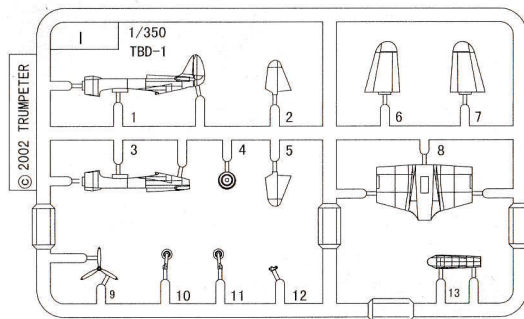
后甲板
Aft deck



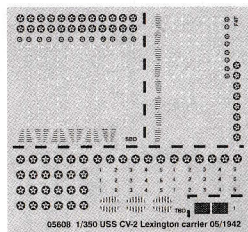
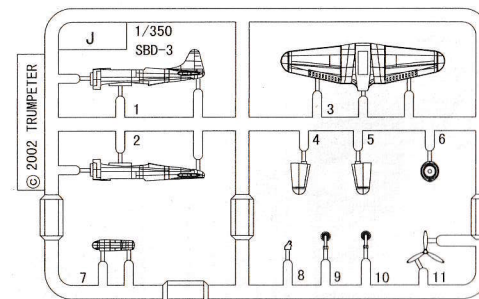
H×4



I×3

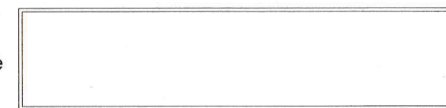


J×6



水贴
Decal

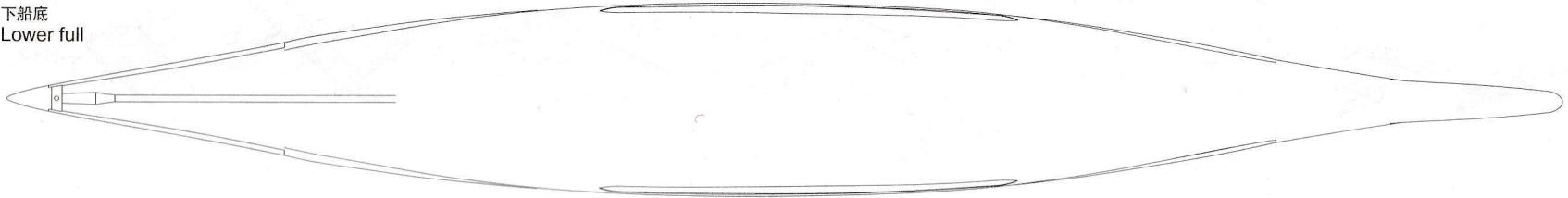
铭牌
Name plate



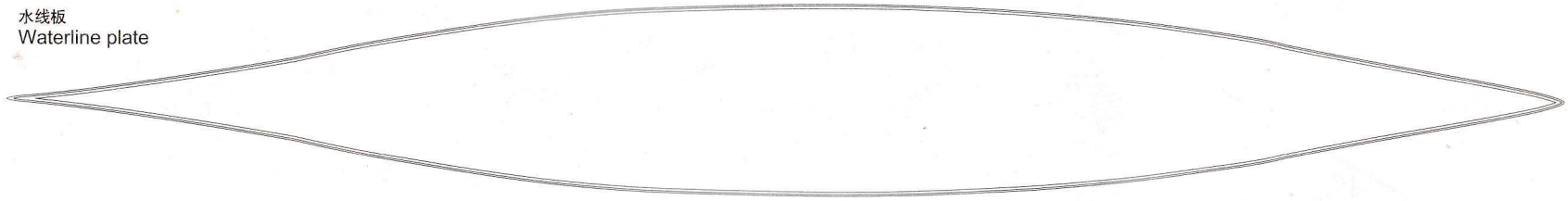
上船体
Upper hull



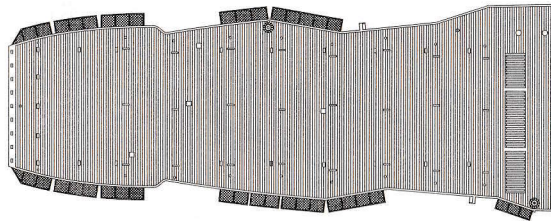
下船底
Lower full



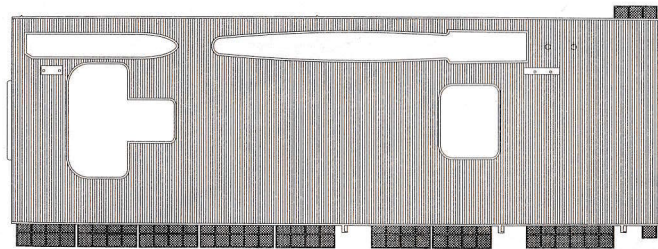
水线板
Waterline plate



前飞行甲板
Fore flight deck



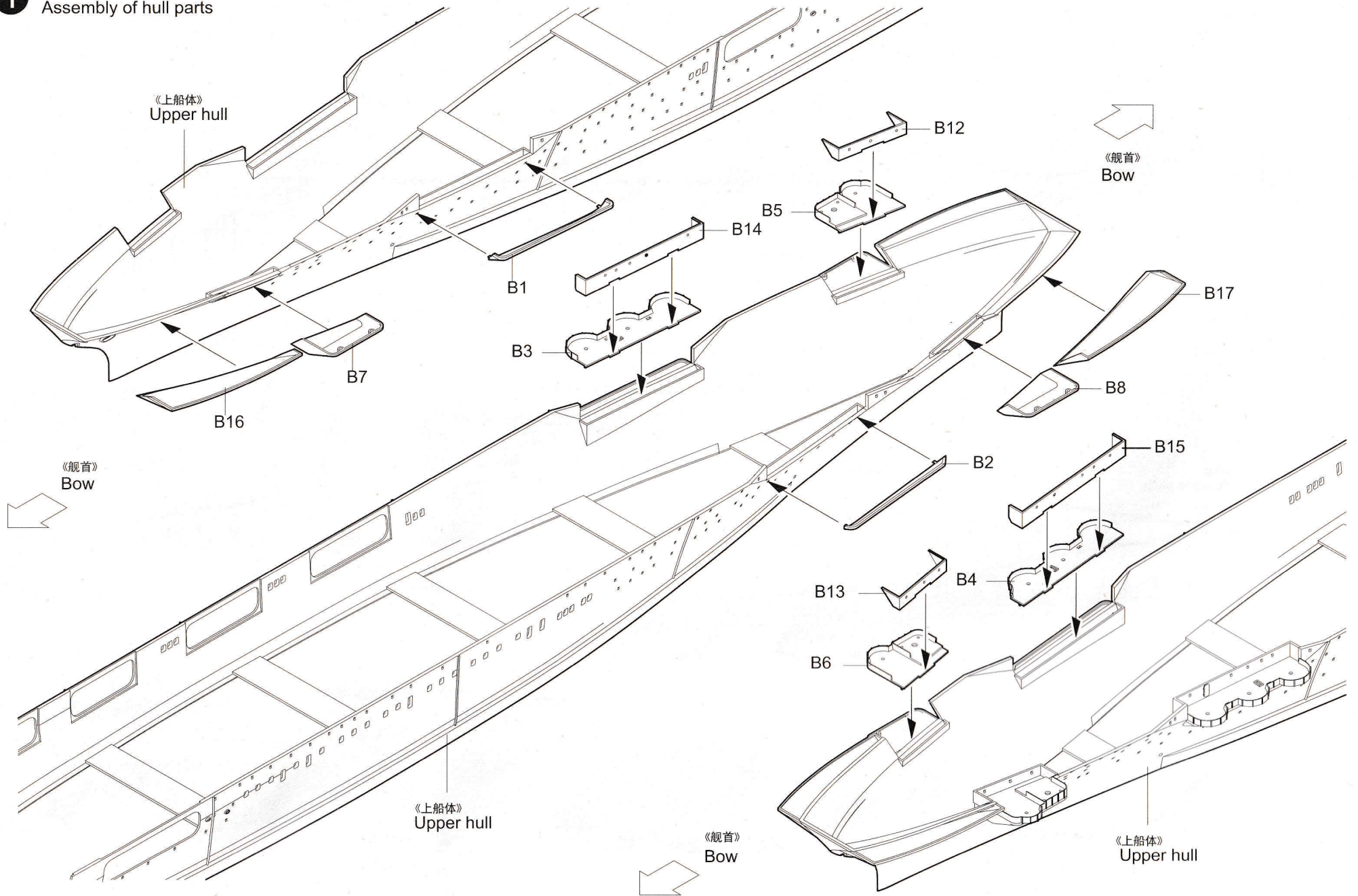
中间飞行甲板
Center flight deck



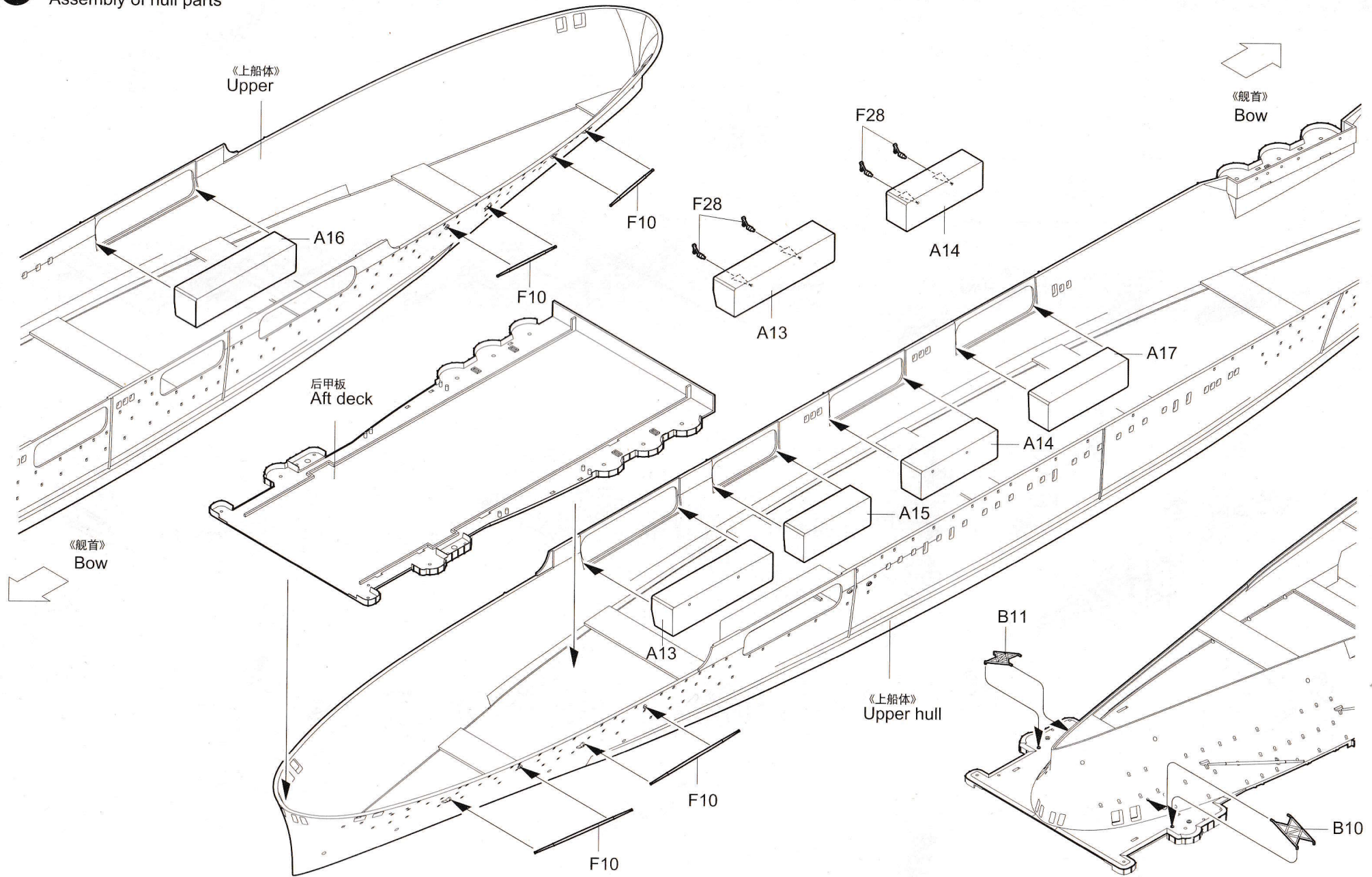
后飞行甲板
Aft flight deck



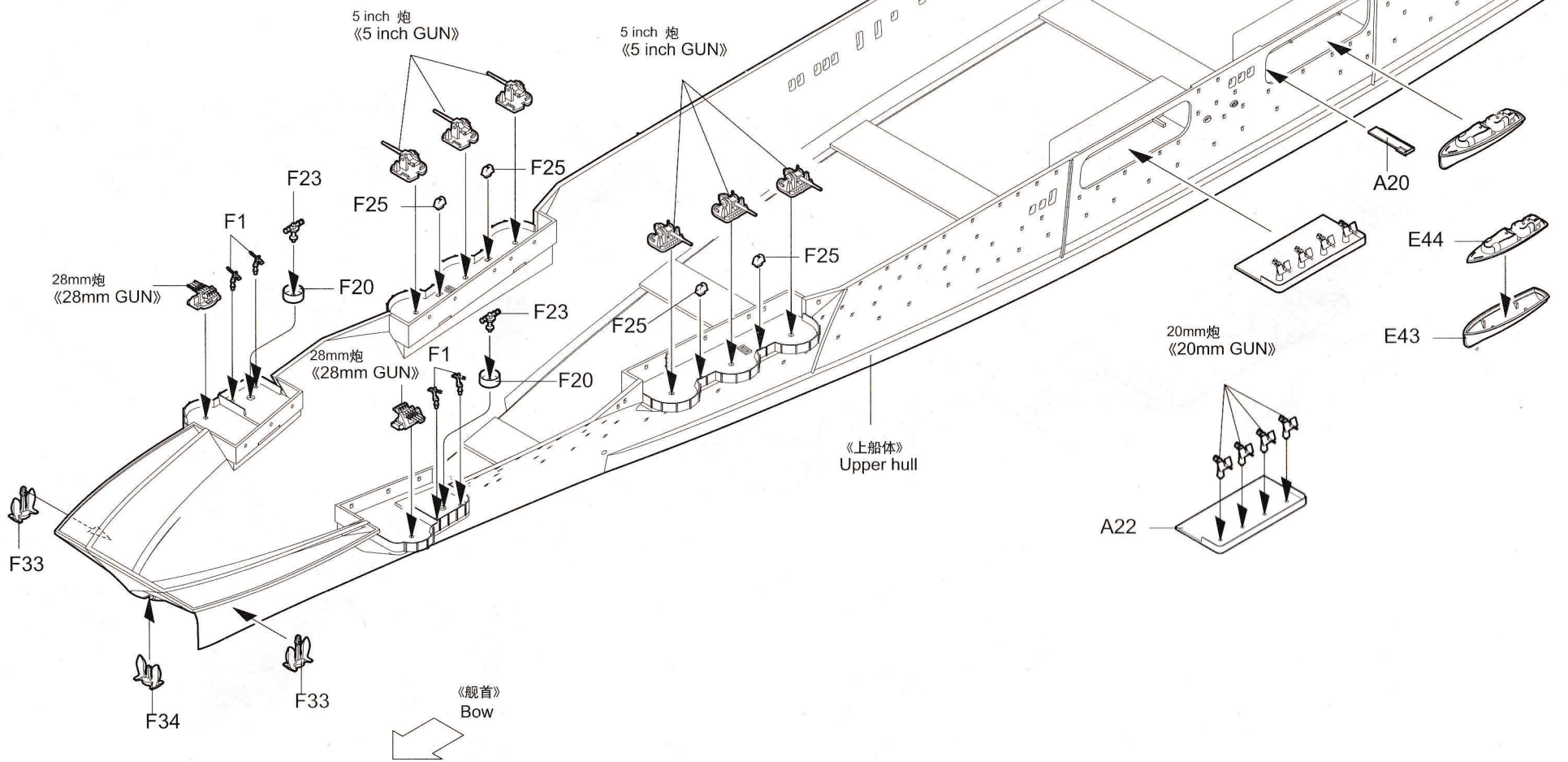
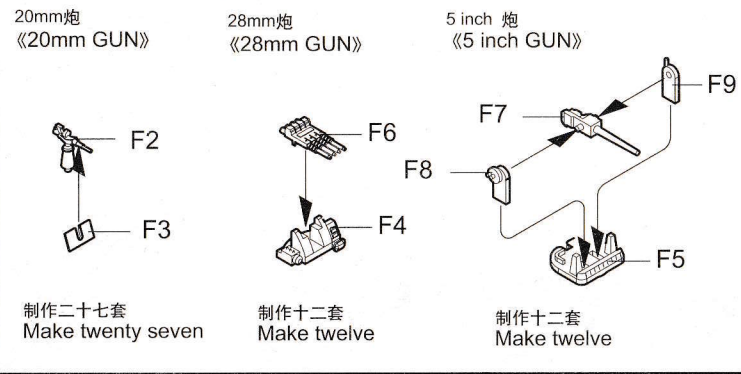
1 舰体部件的组装
Assembly of hull parts



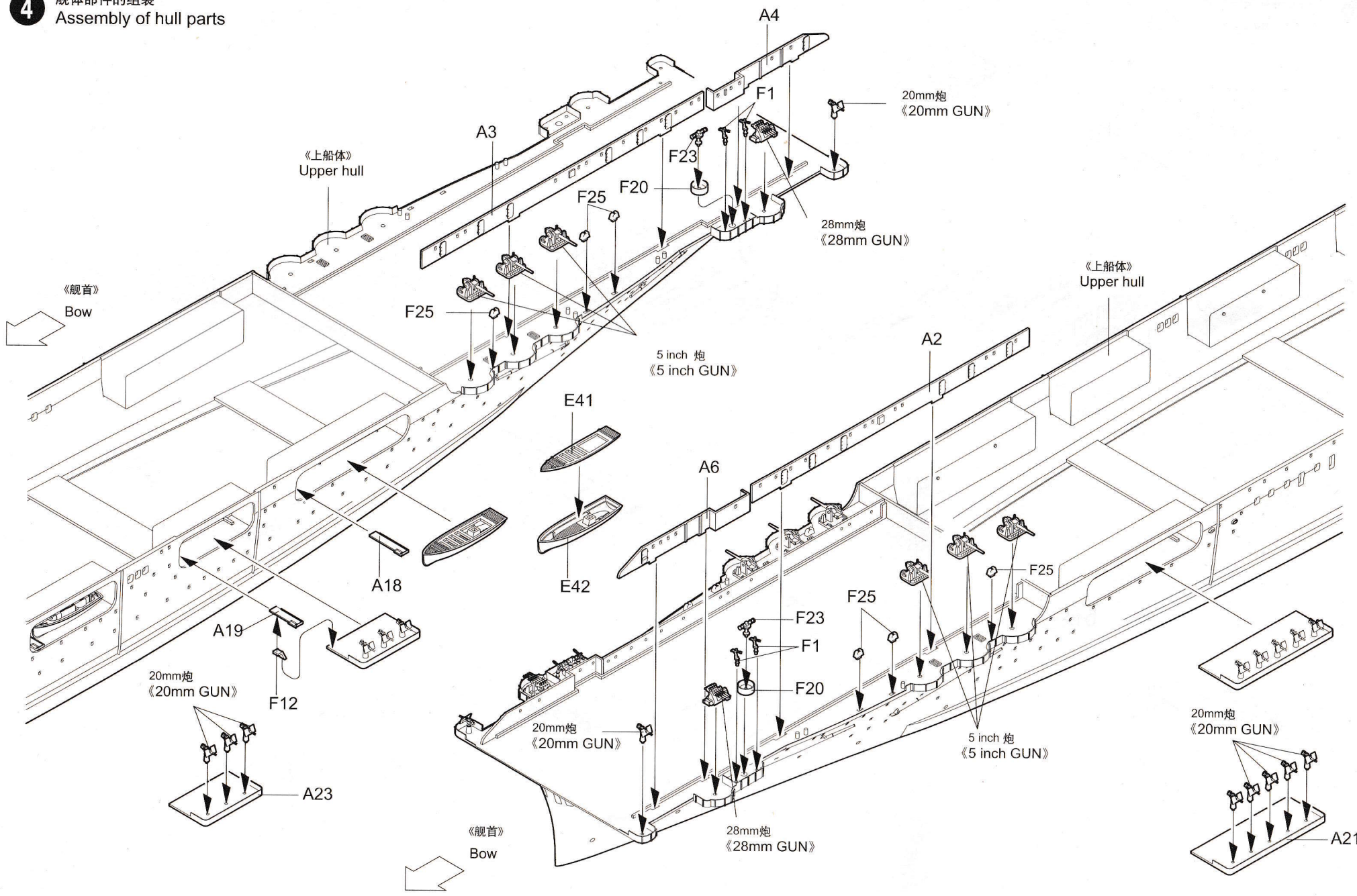
2 舰体部件的组装
Assembly of hull parts



3 舰体部件的组装
Assembly of hull parts

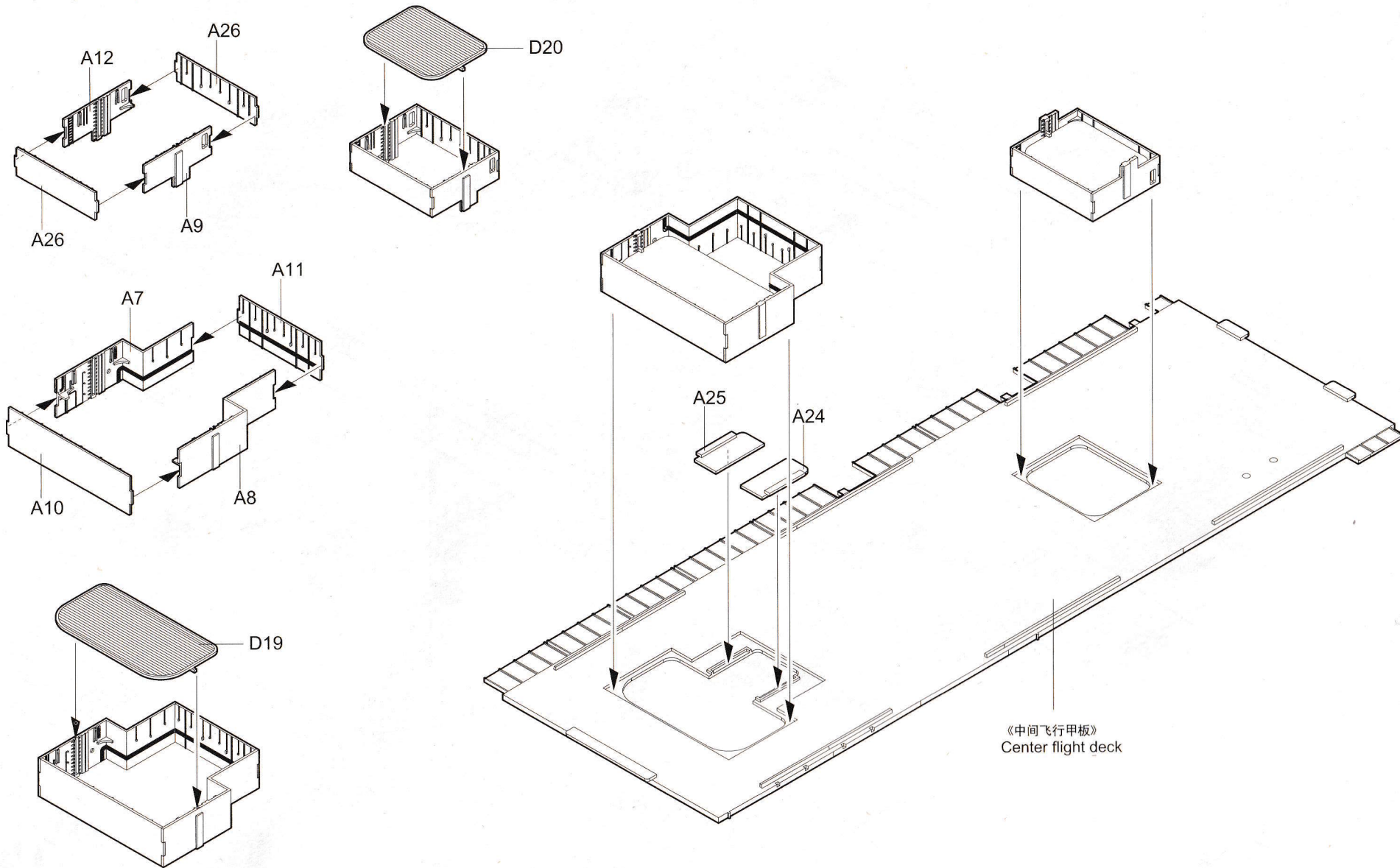


4 舰体部件的组装
 Assembly of hull parts

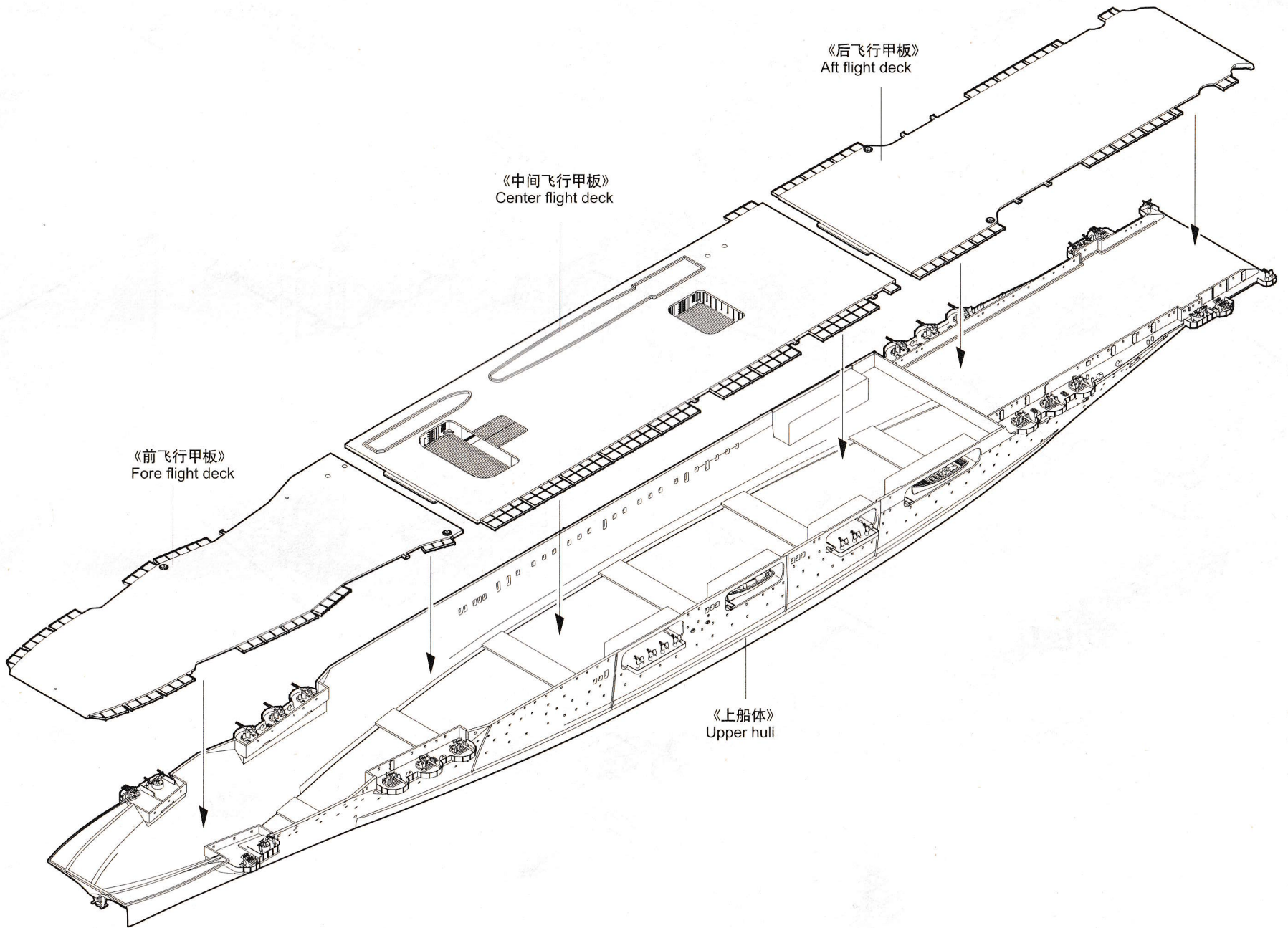


5

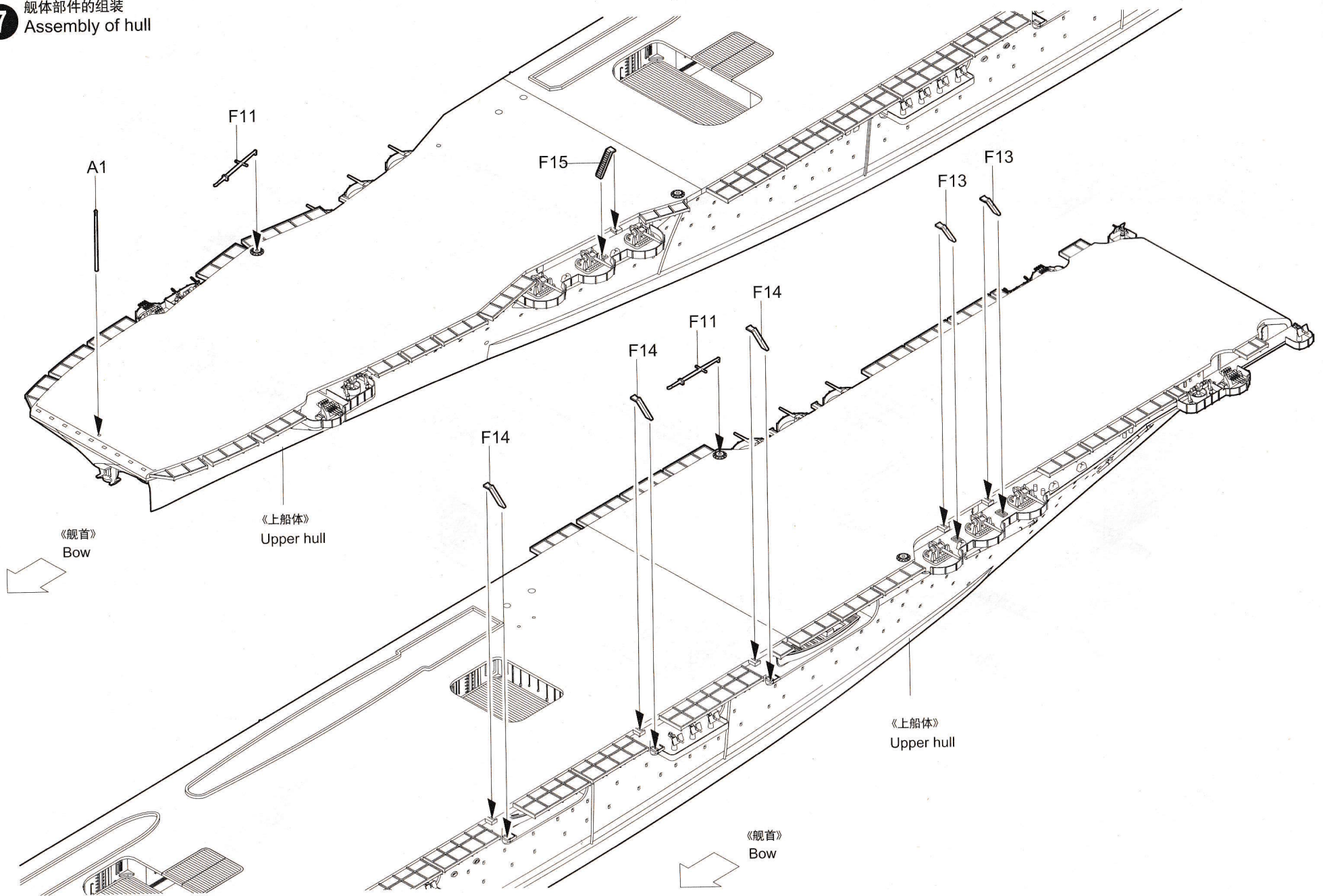
飞行甲板部件的组装
Assembly of Flight deck



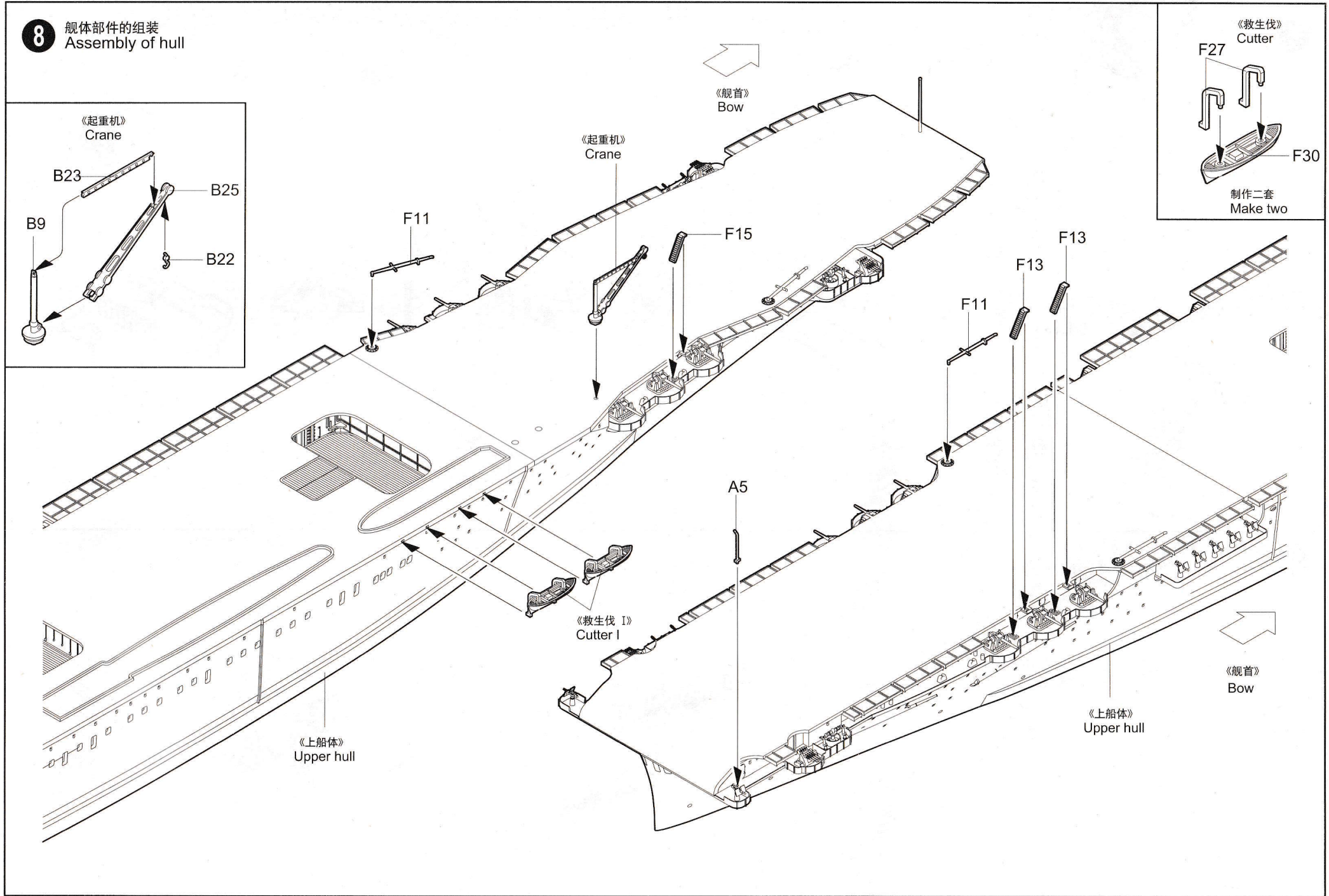
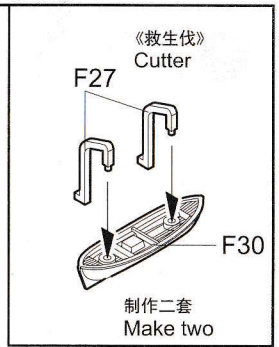
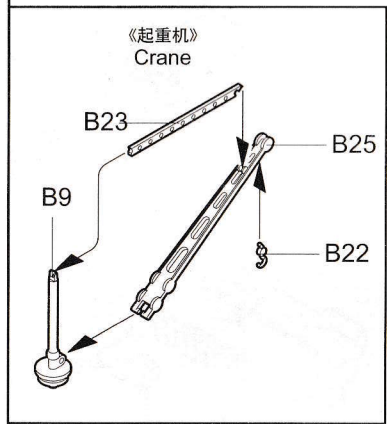
6



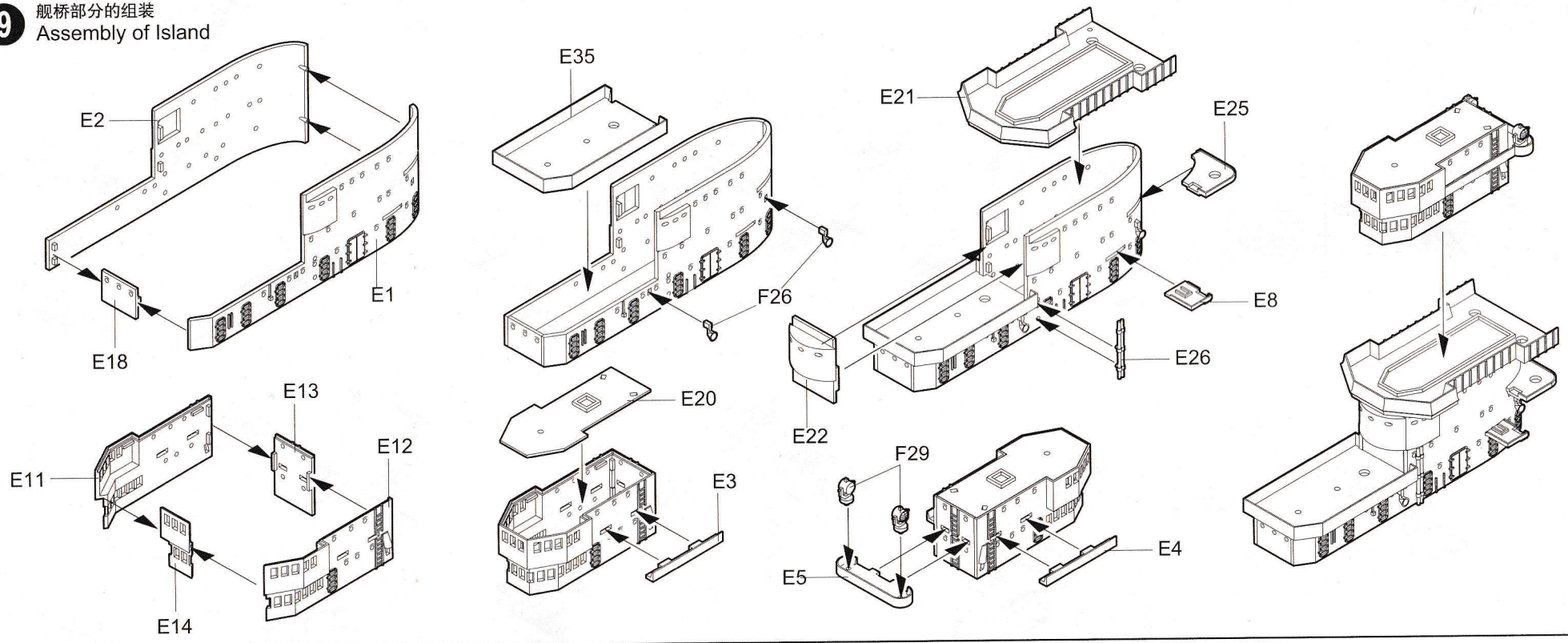
7 舰体部件的组装
Assembly of hull



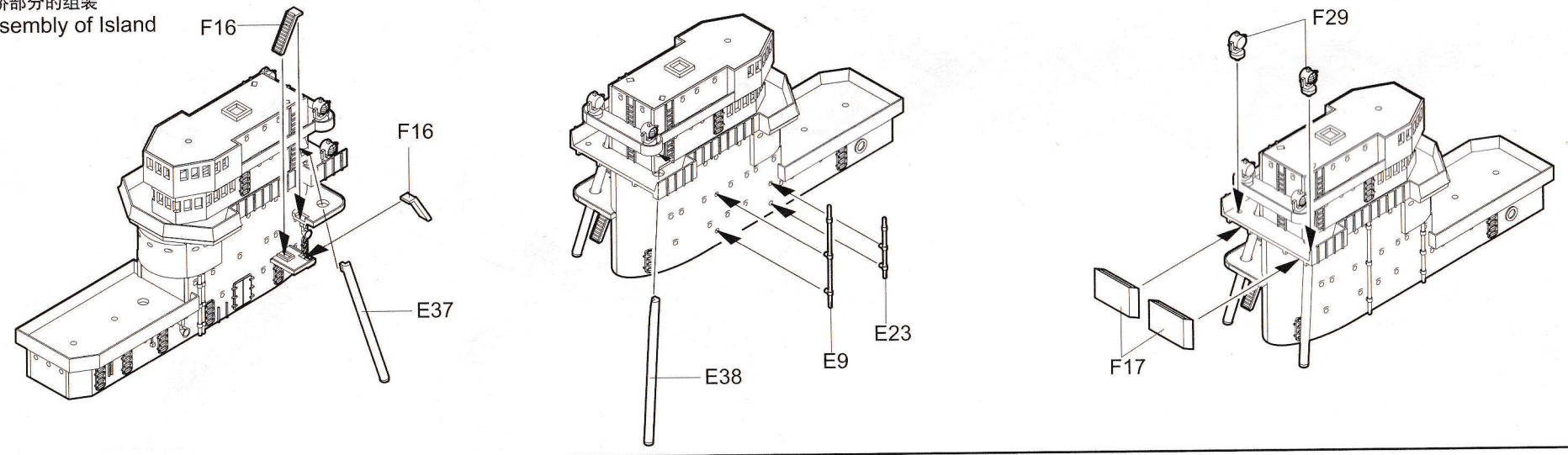
8 舰体部件的组装
Assembly of hull



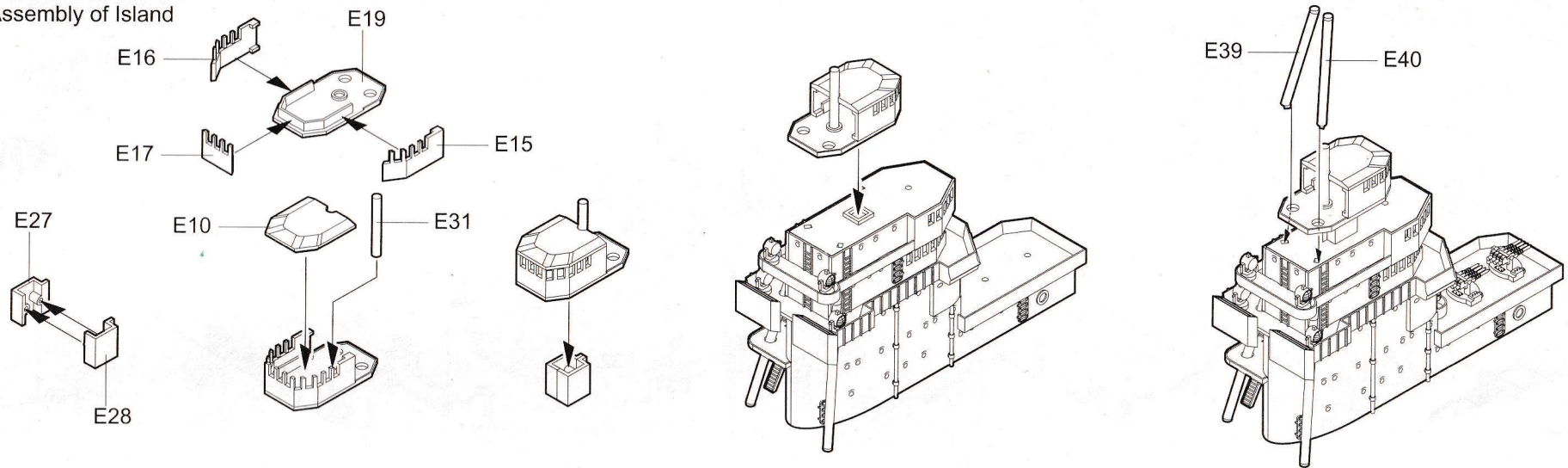
9 舰桥部分的组装
Assembly of Island



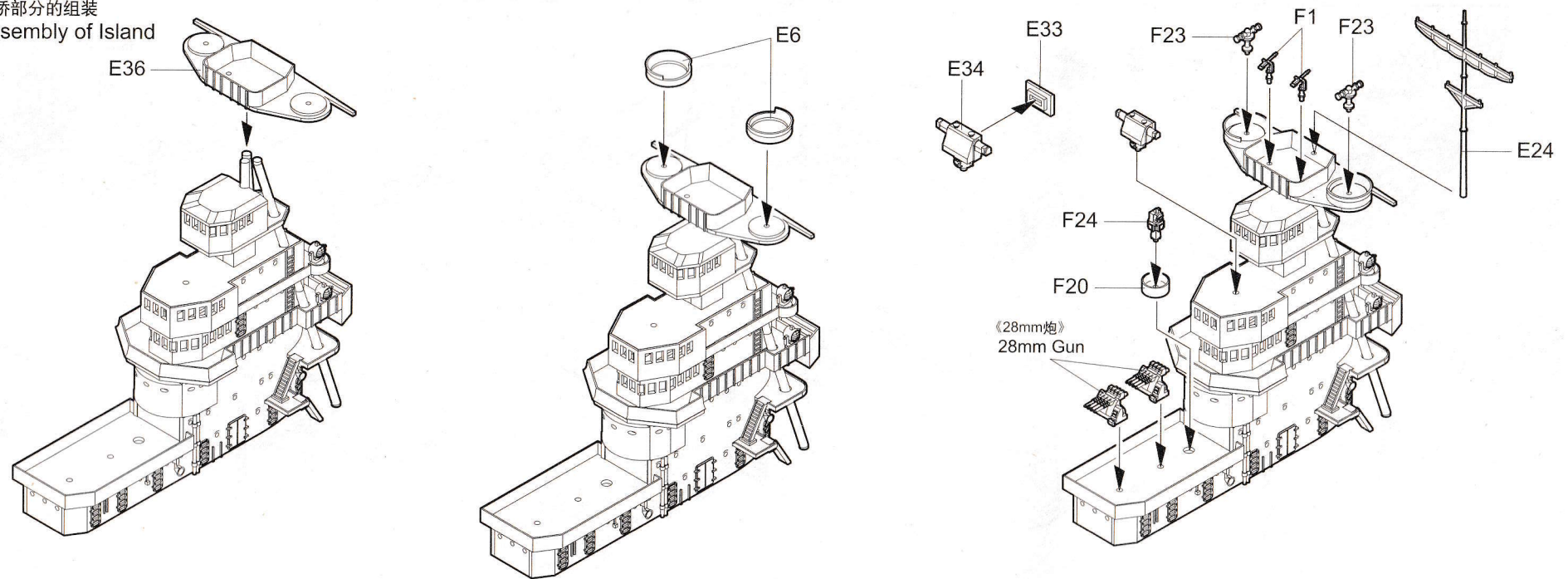
10 舰桥部分的组装
Assembly of Island



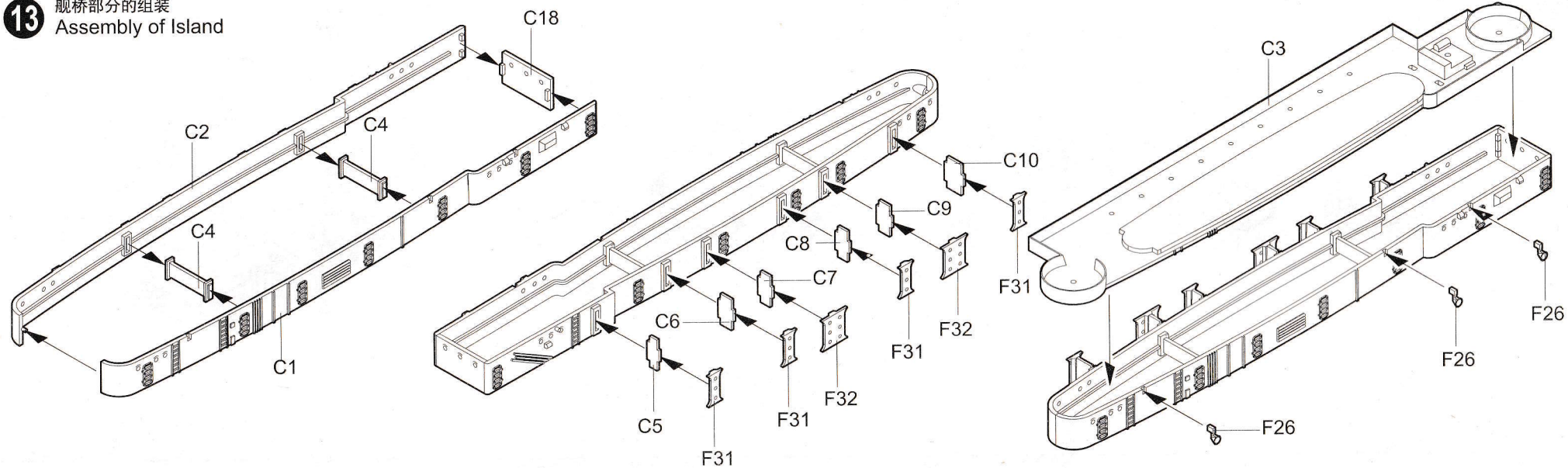
11 舰桥部分的组装
Assembly of Island



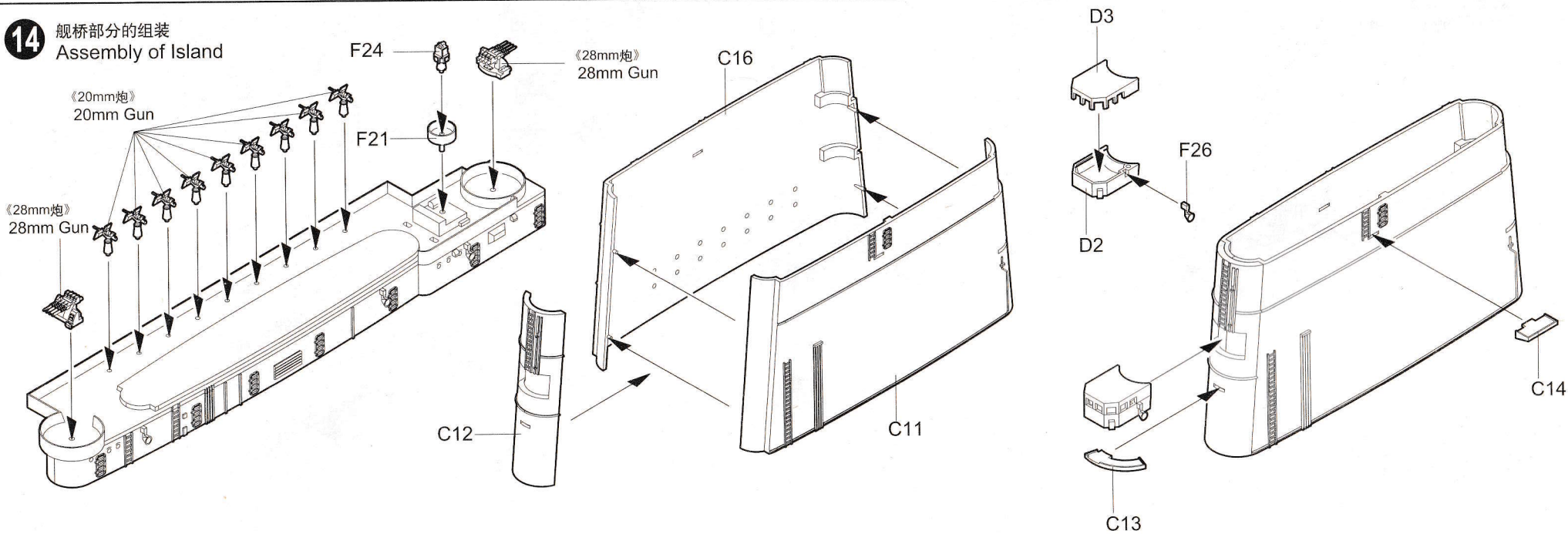
12 舰桥部分的组装
Assembly of Island



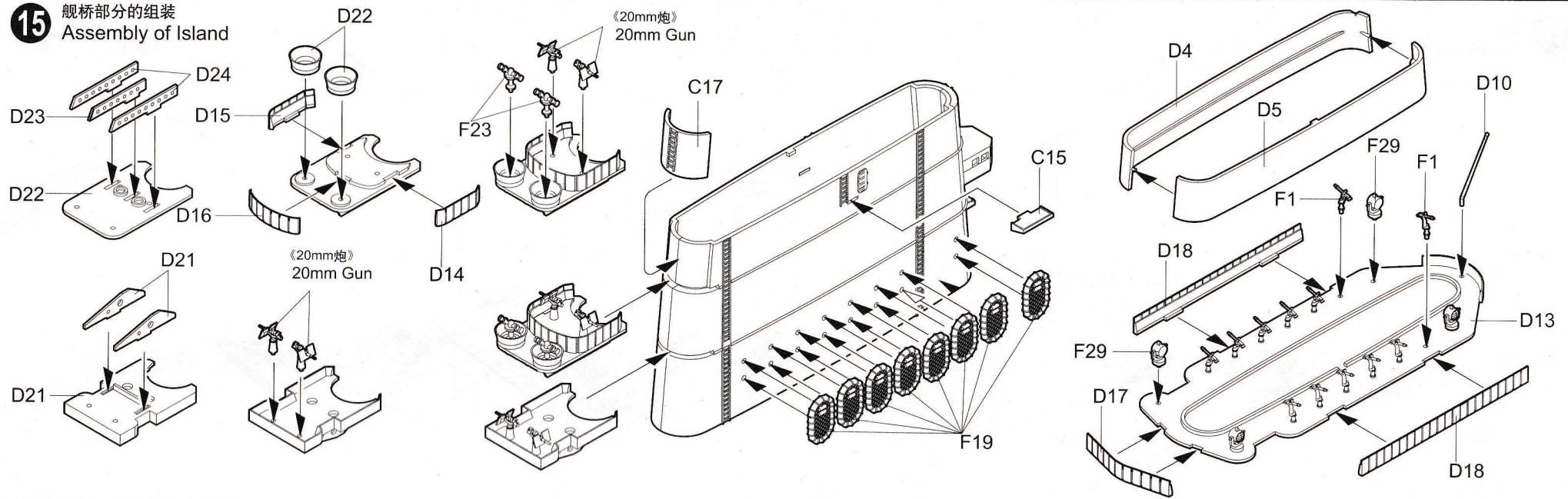
13 舰桥部分的组装
Assembly of Island



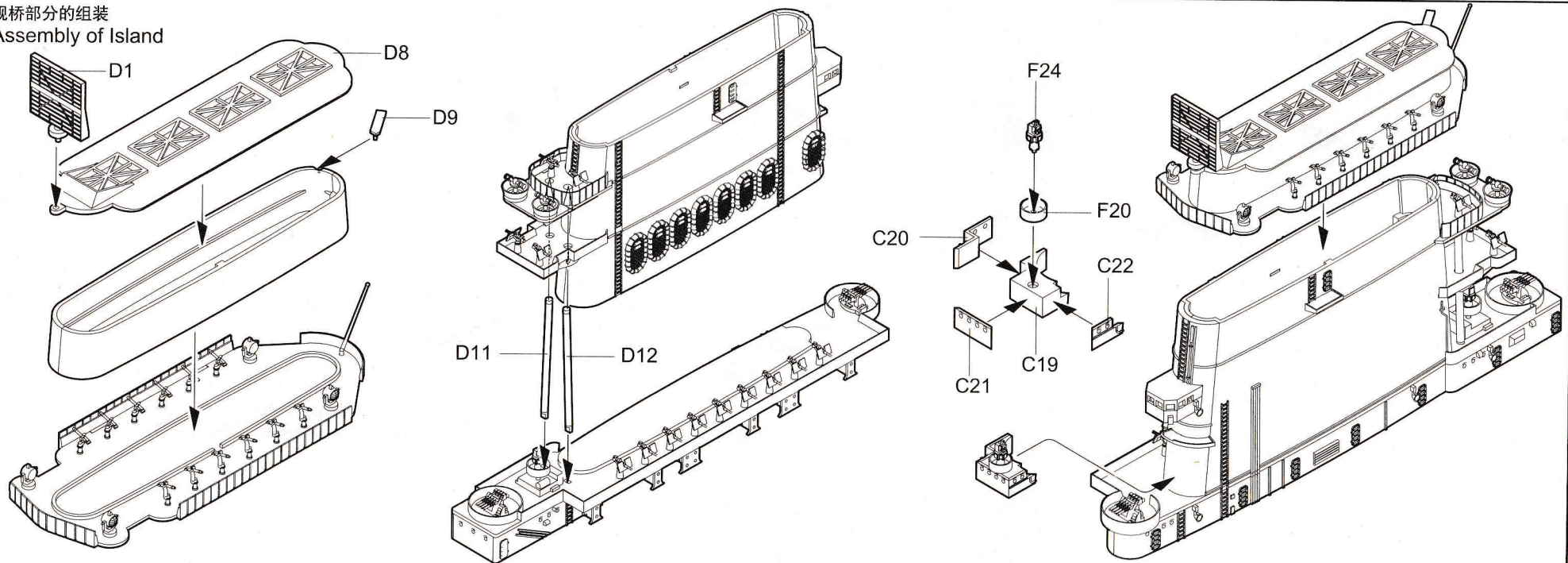
14 舰桥部分的组装
Assembly of Island



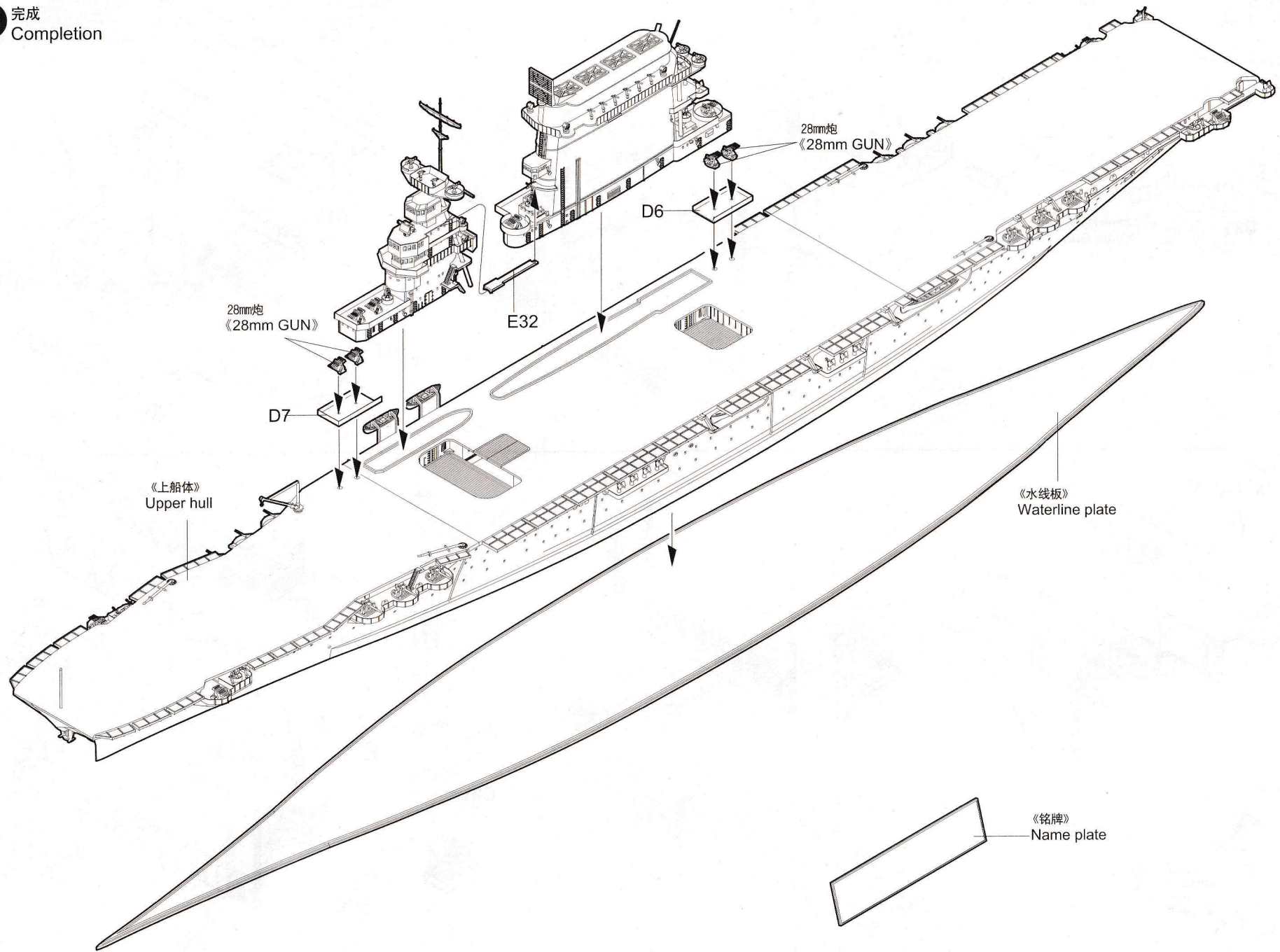
15 舰桥部分的组装
Assembly of Island

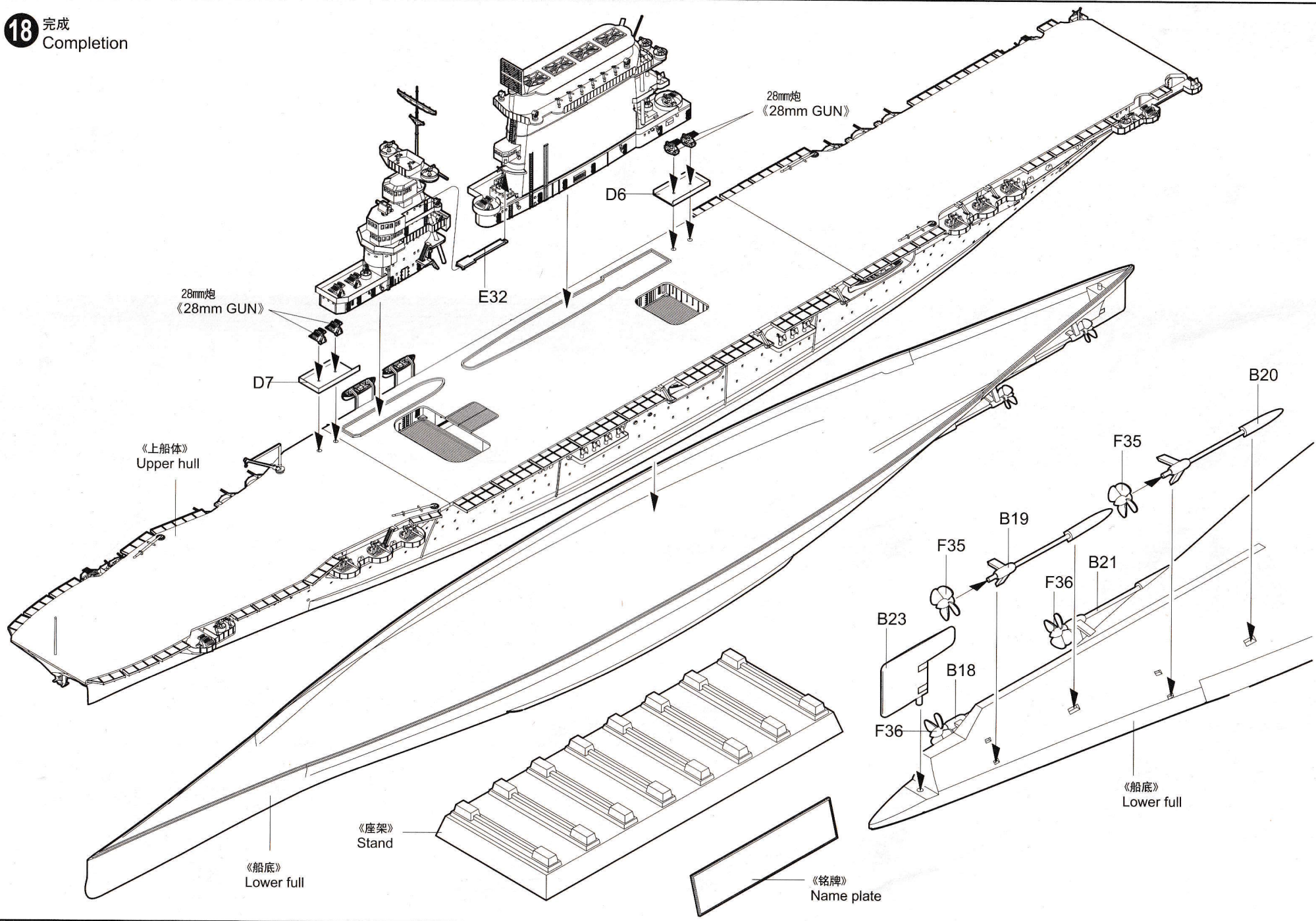


16 舰桥部分的组装
Assembly of Island

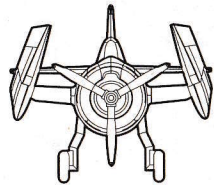
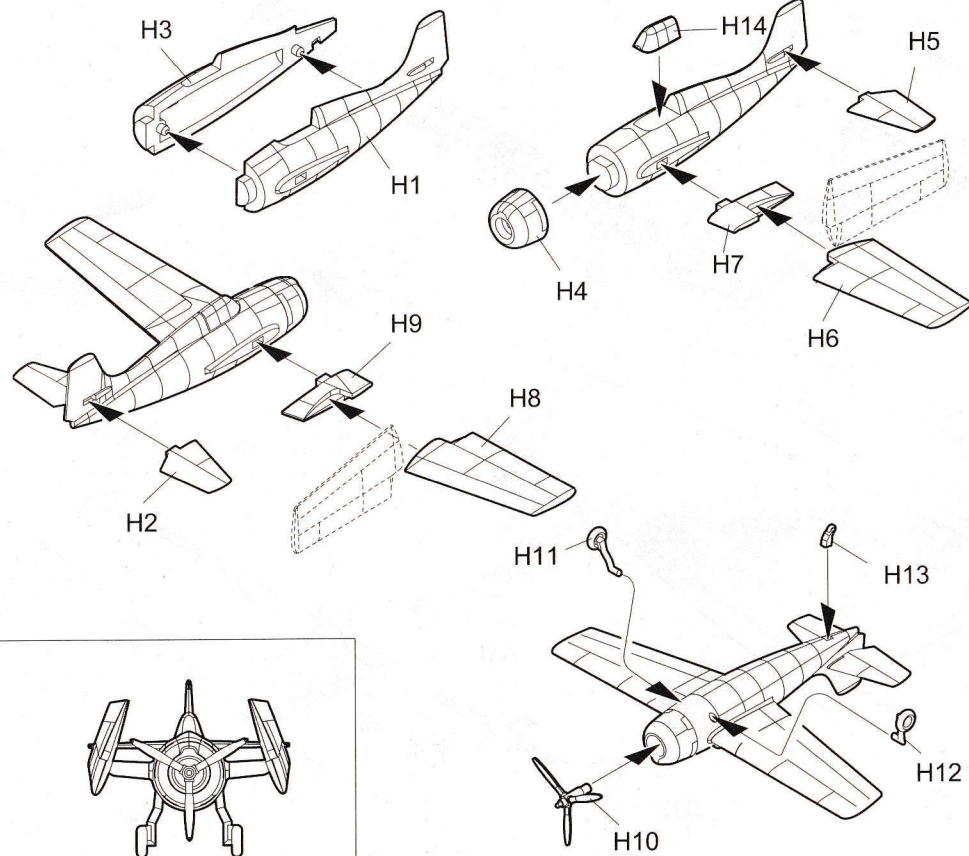


17 完成
Completion

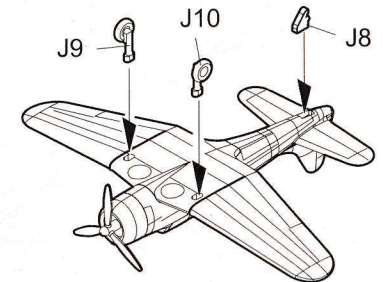
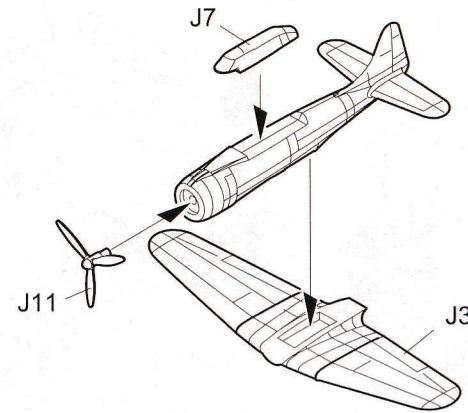
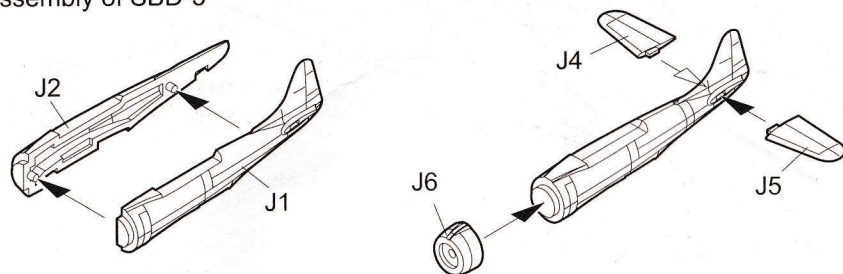




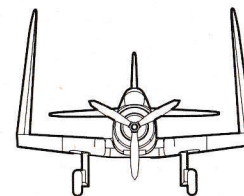
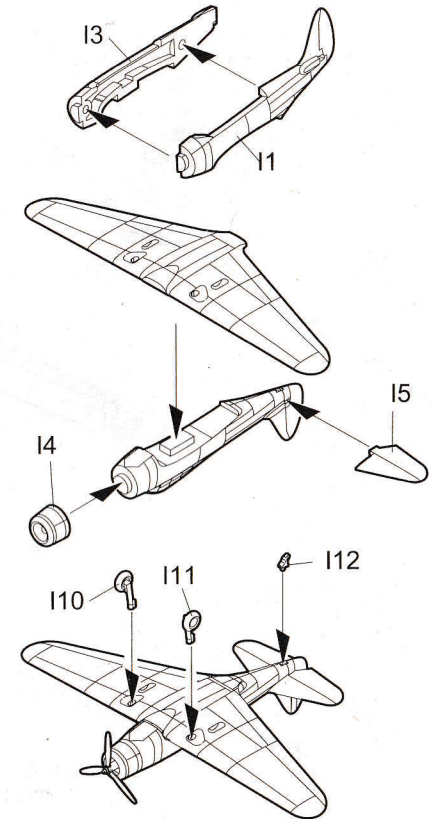
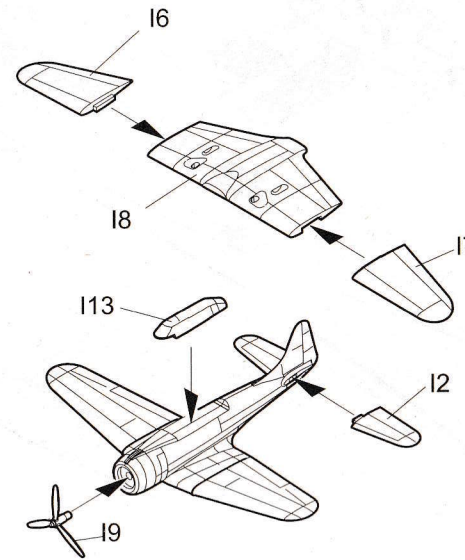
19 F4F-4飞机组装
Assembly of F4F-4



20 SBD-3飞机组装
Assembly of SBD-3

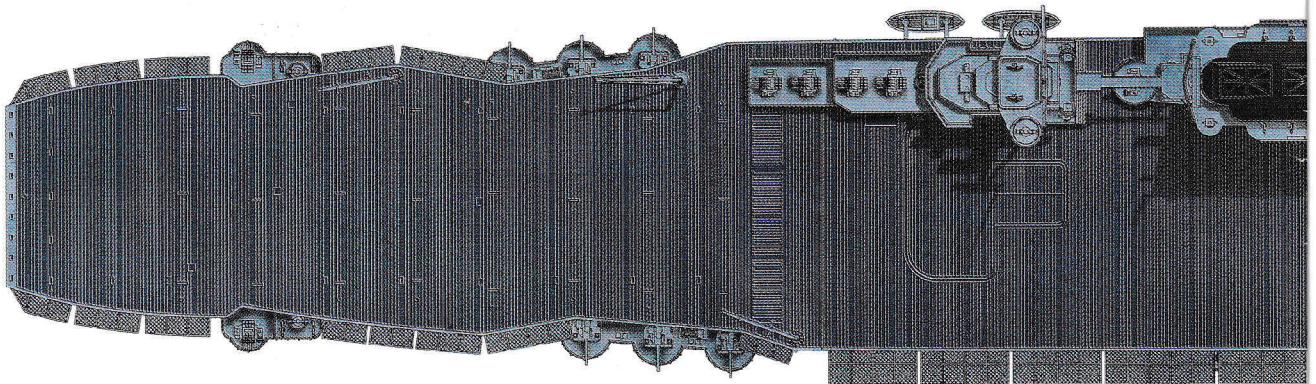
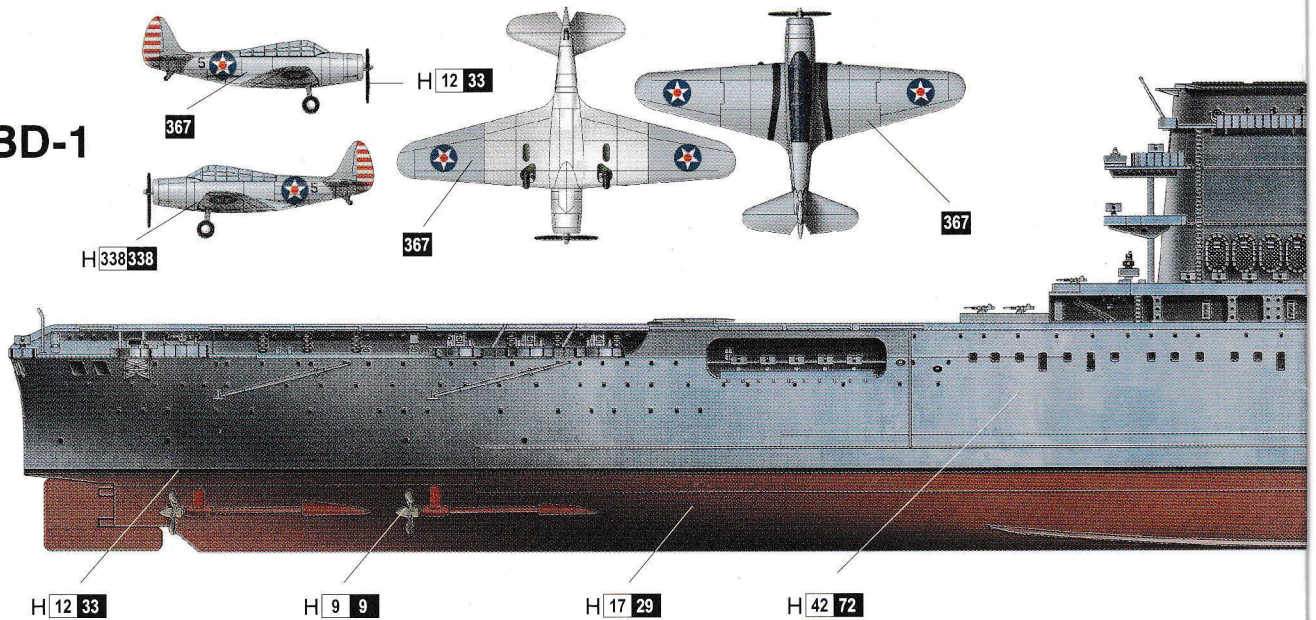


21 TBD飞机组装
Assembly of TBD

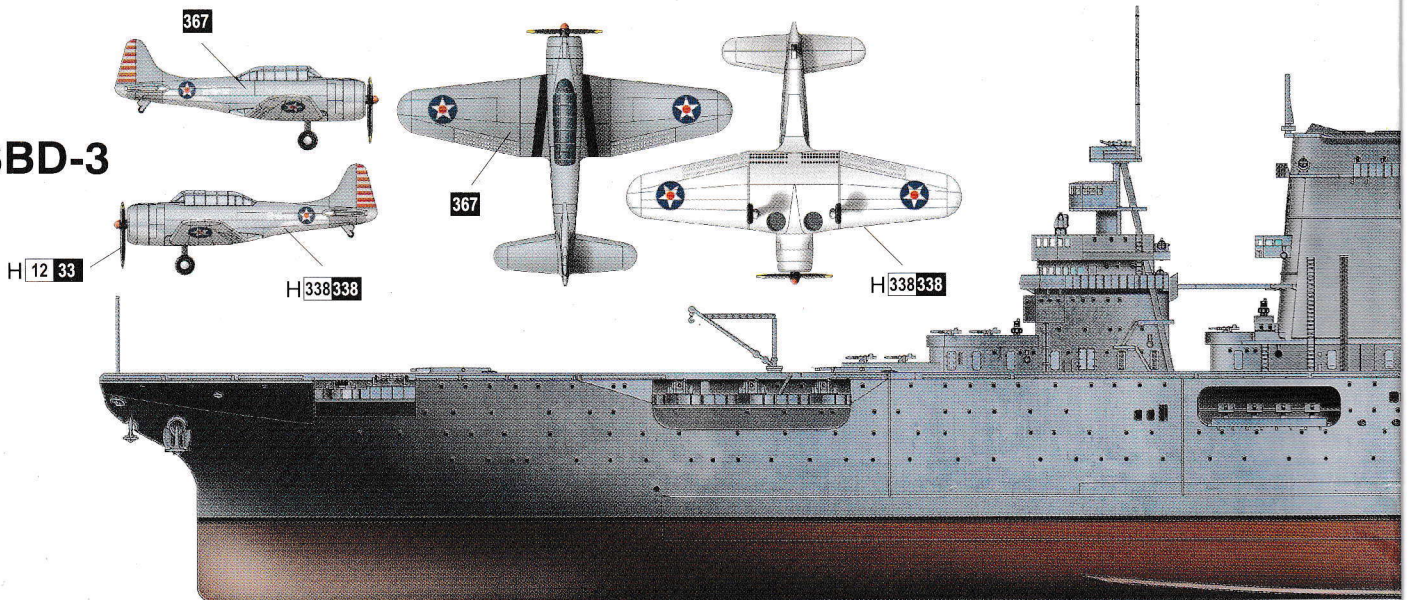


涂装同标贴指示
Painting & Marking guide

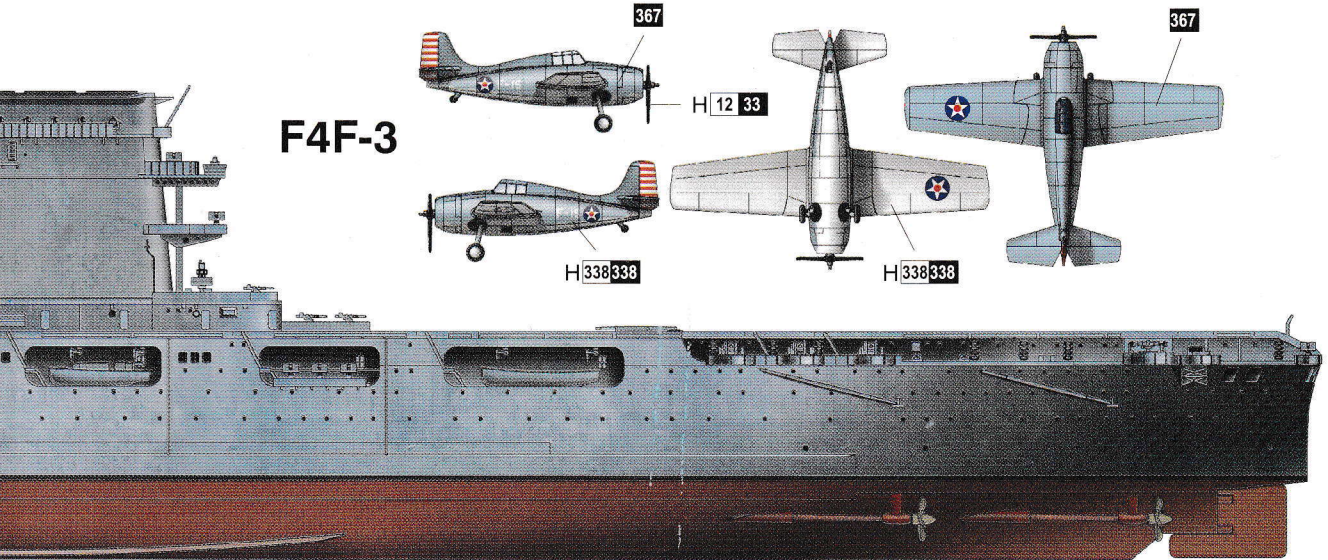
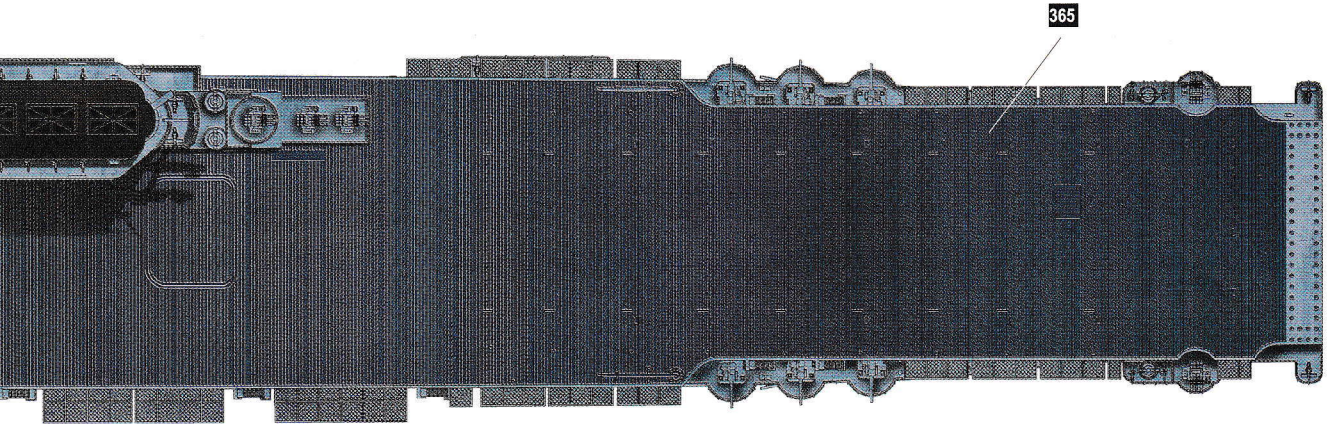
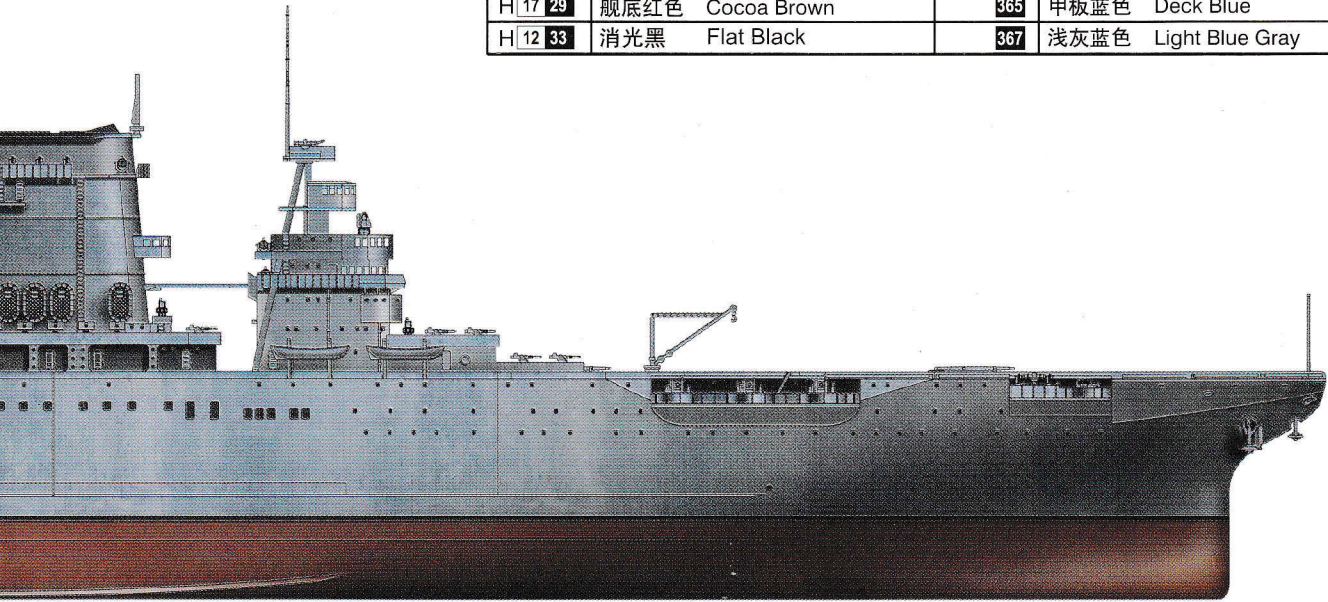
TBD-1



SBD-3



Gunze		H 42 72	蓝灰色	Blue Gray	
H 9 9	金色	Gold	H 338 338	浅灰色	Light Gray
H 17 29	舰底红色	Cocoa Brown	365	甲板蓝色	Deck Blue
H 12 33	消光黑	Flat Black	367	浅灰蓝色	Light Blue Gray



F4F-3

367

H 12 33

367

H 338 338

H 338 338