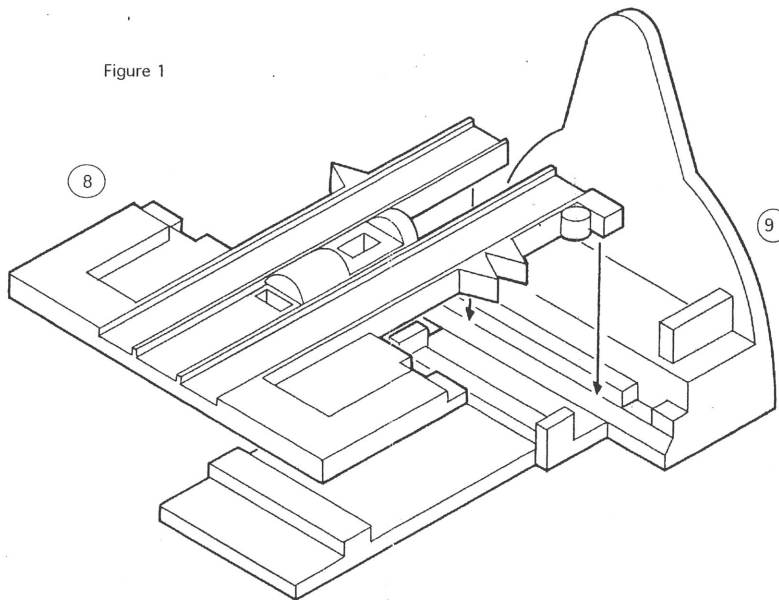


Figure 1



The resin and photo-etched detail parts in this update set were designed specifically to fit the Tamiya kit (#61034). It is recommended that you read and understand these instructions completely before attempting to assemble this update set. Careful test-fitting is recommended in order to achieve the best results. Some trimming of parts may be required.

Discard the following Tamiya kit parts, which will be replaced by the resin and photo-etched detail parts contained in this update set: A4, A14, A15, A21, A24.

1. Modify Tamiya kit part #A12 by carefully cutting away the vertical seat rails. Modify Tamiya kit part #A3 by carefully slicing off the moulded-in boxes under the cockpit sill and cement resin part #5 in their place.

2. After joining resin parts #8 & #9 (Fig.1), attach modified Tamiya kit part #A12 according to the Tamiya instructions. Photo-etched parts #11 are gun charging handles. They are located on top of the triangular protrusions on resin part #8.

3. Assemble the Tamiya kit parts #A10 & #A22 according to the Tamiya instructions, and attach resin parts #6 & #7 in place of the Tamiya kit parts. To the port (left) console attach resin part #4, using Tamiya kit part #A4 as a guide. Install the whole subassembly to the cockpit floor in the same manner as that shown in the Tamiya instructions. Add Tamiya part #A5 to the resin cockpit floor and cement the resin seat (#3) into place.

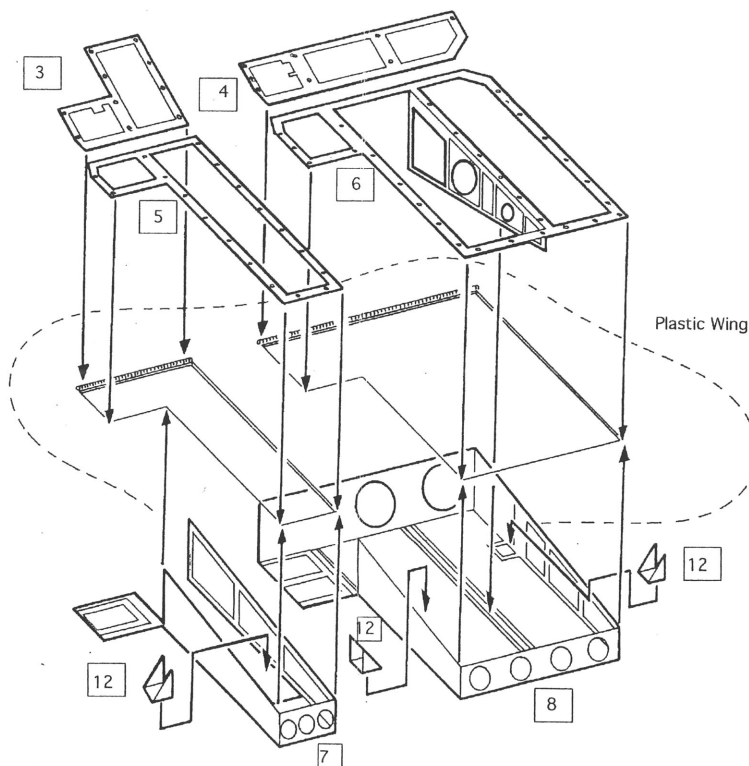
4. Install the new resin/plastic cockpit tub into the fuselage in the same manner as shown in the Tamiya instructions. Before joining the wing assembly to the fuselage, remove the two small raised tabs from the lower wing half (just behind the main gear bay aperture).

Figure 2

5. Carefully cut out the two raised machine gun access panels from the port (left) wing upper half (be careful not to remove the piano-hinge from the front of the openings! Photo-etched parts #3 & #4 attach to them in step 7 below). Before proceeding to install the photo-etched detail parts to this area (Fig. 2), carefully thin the edges of the openings from behind (a hand-held motor tool works well). Before joining the two wing halves together, grind away some of the plastic from the inside of the lower wing half in order to provide clearance for the photo-etched detail parts (careful test-fitting is required here).

6. After the wing halves have been joined, install the resin machine guns into the bays. Resin barrels are provided, but are not visible after installation. If you wish to install the barrels (resin parts #1), first cement them to the gun bodies (resin parts #2), then drill the appropriate diameter holes into the leading edge of the wings.

7. Photo-etched parts #9 & #10 are ammo chutes. Photo-etched part #9 fits onto the left front side of the inboard gun, running over the top front of the middle gun, and #10 fits to the top left side of the middle gun. Photo etched parts #12 (see Fig. 2) are to be installed only if the guns are to be left out of the bays (they will not fit with the guns installed). Note that photo-etched parts # 3 & #4 are attached to the wing (see Fig. 2), but parts #1 & #2 are separate panels which are completely removed from the wing when accessing the gun bays.



REFERENCES:  
F4F WILDCAT in detail & scale  
Detail & Scale Vol. 30  
Detail & Scale, Inc.  
ISBN: 0-8306-8040-3

Walk Around F4F Wildcat  
Walk Around Number 4  
squadron/signal  
ISBN: 0-89747-347-7