

1:48 SCALE

Vampire FB.MK.5

英国“吸血鬼”FB.MK.5战斗机

READ BEFORE ASSEMBLY:

- Study and understand these instructions thoroughly before beginning assembly
- When needed, remove photo-etch parts carefully using a modeling knife or photo etch sprue cutter, being careful not to damage or lose small parts.
- Take extra care in handling photo etch parts in order to avoid injury
- Apply instant cement sparingly to photo etch parts where instructed

- Tools recommended(not included in kit):Plastic and instant cements,sprue cutters,long nose pliers,modeling knife, small files, tweezers, pin vise & scissors. Soft cloth and sandpaper will also assist in construction
- Glue and paint are not included in the kit. Use plastic cement and hobby paints only. Color guide for purchasing paint is included in the kit.

装配之前仔细阅读

- 小心用模型锉刀锉平所有零件表面的注射浇口。
- 小心用刀片切下蚀刻片零件，不要遗失小零件。
- 用强力快干胶水粘合蚀刻片零件和金属轴。过量快干胶水。使用可能导致可动零件会粘住，小心涂胶。
- 取蚀刻片时应特别注意安全，防止利边划伤手指。
- 某些零件表面需贴水上贴纸，请选择在装配的同时进行。
- 推荐模型工具(自备)：胶水，水口剪刀，长咀钳，刀片，锉刀，镊子，钳，钻，剪刀，瞬间快干胶。
- 软布同砂纸同时也应该是必备工具。
- 请使用塑料胶水和油漆，模型内不含。

水贴纸的使用:

1. 从水贴上剪下印花;
2. 将印花放入温水中浸10秒，然后放在干净布上。
3. 拿着印花纸板将印花移到模型上;
4. 手指蘸水将印花移到适当的位置;
5. 用软布轻压印花直至水干，气泡消失。

DECAL APPLICATION:

1. Cut decals from sheet as needed
2. Dip the decal in warm water for about 10 seconds and then place on soft clean cloth.
3. Hold the decal backing sheet edge and gently slide the decal onto the model in its proper position.

4. While still wet,decal can be adjusted for better fit on model by dampening it gently with your finger.
5. When placed in the proper position,gently press decal down with a soft cloth until excess water and air bubbles are gone.
6. Allow decal to dry completely before handling model



cyanocrylate glue
使用强力胶



weight
配重



make hole
钻孔



cut / remove
切除



option
选择



no cement
不涂胶水



decal
贴纸

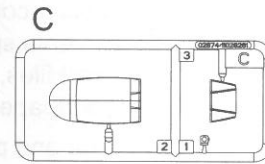
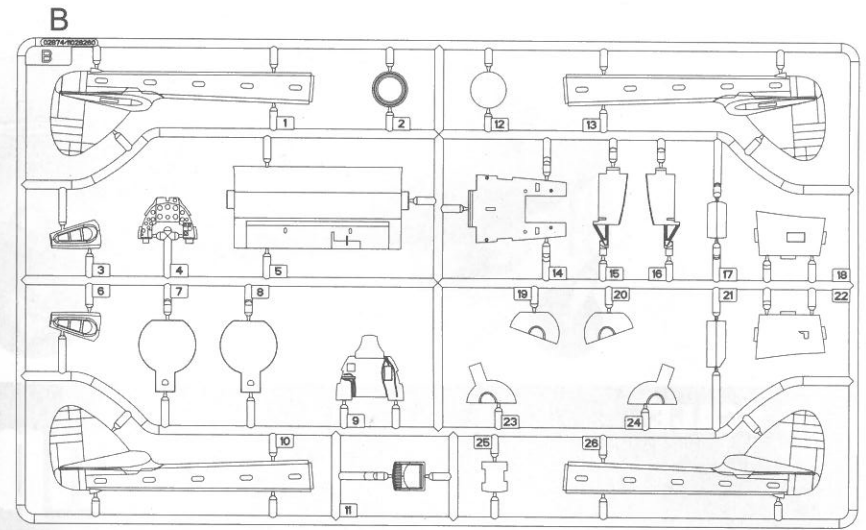
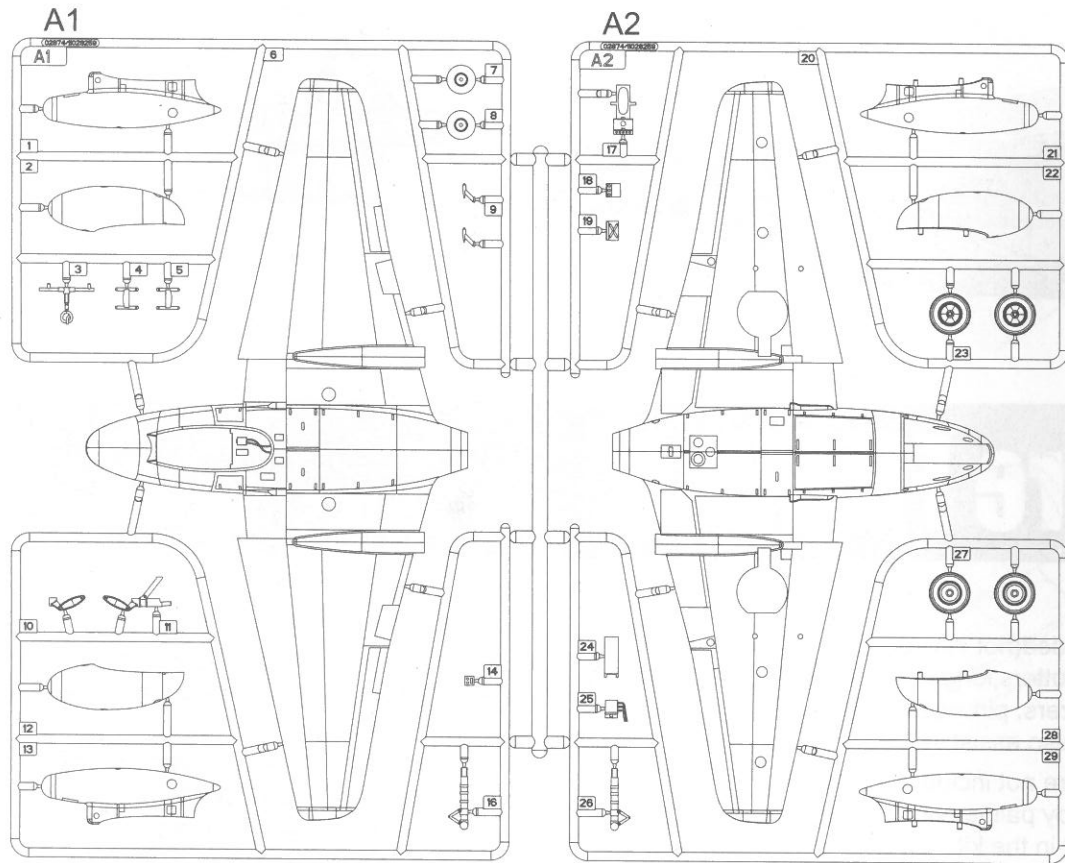


bend
弯曲



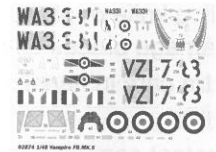
file / sand
锉平

部品图
Parts

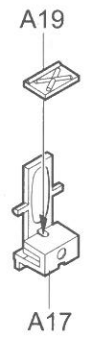
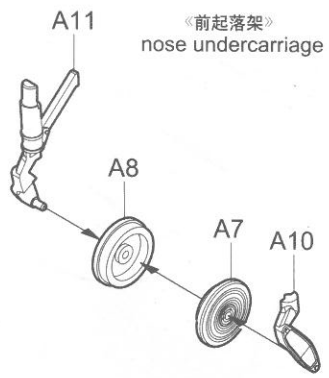


Weight
《配重16g》
自备

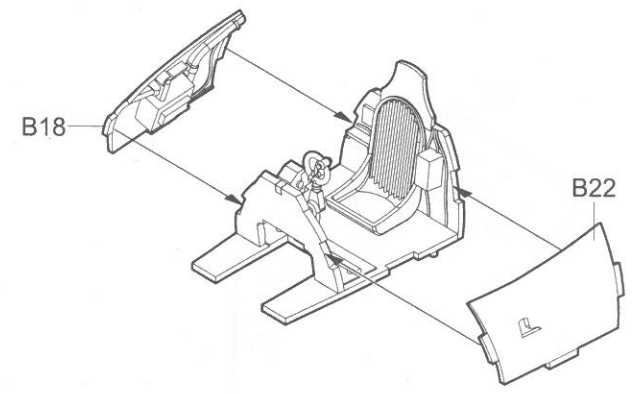
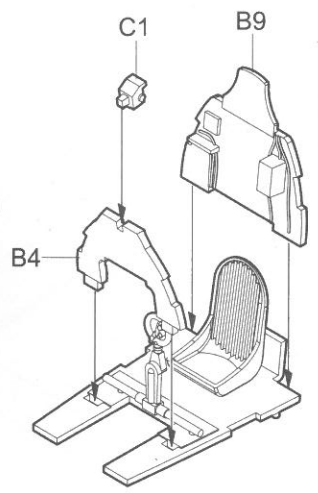
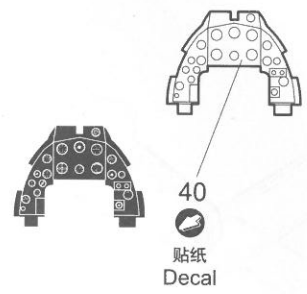
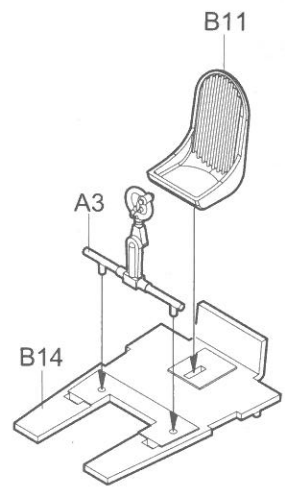
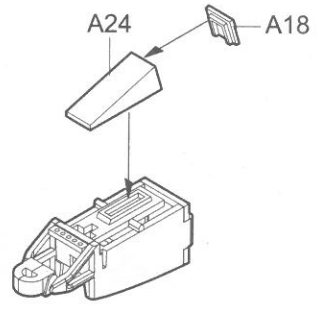
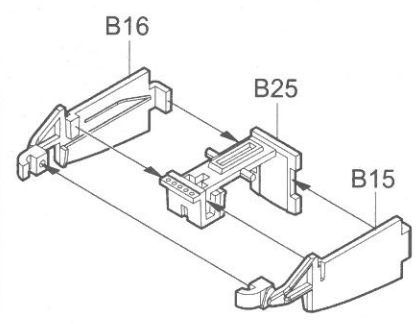
《水贴》
Decal



1

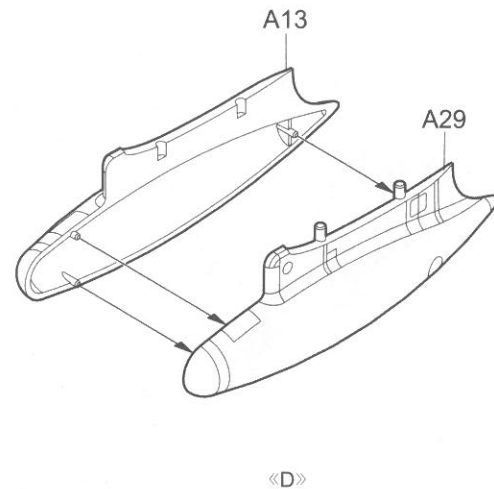
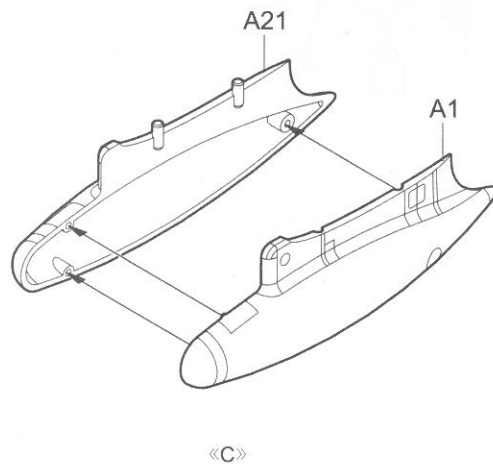
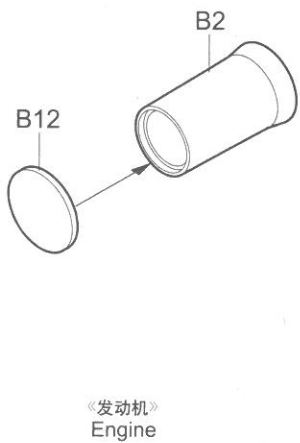
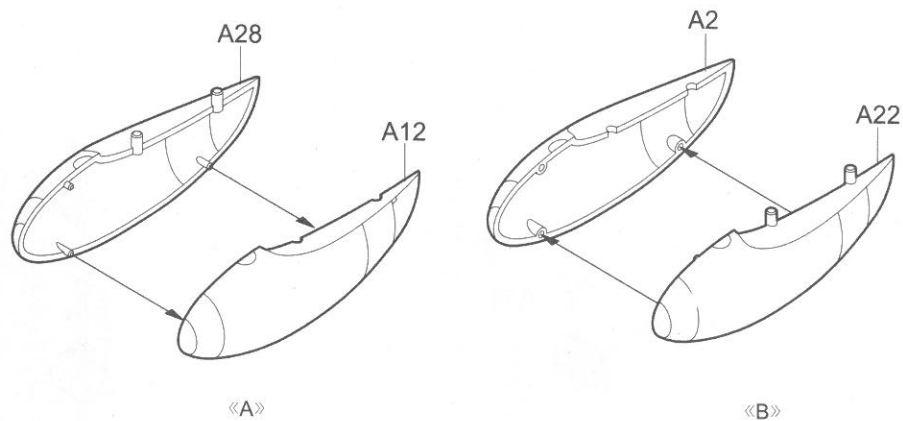
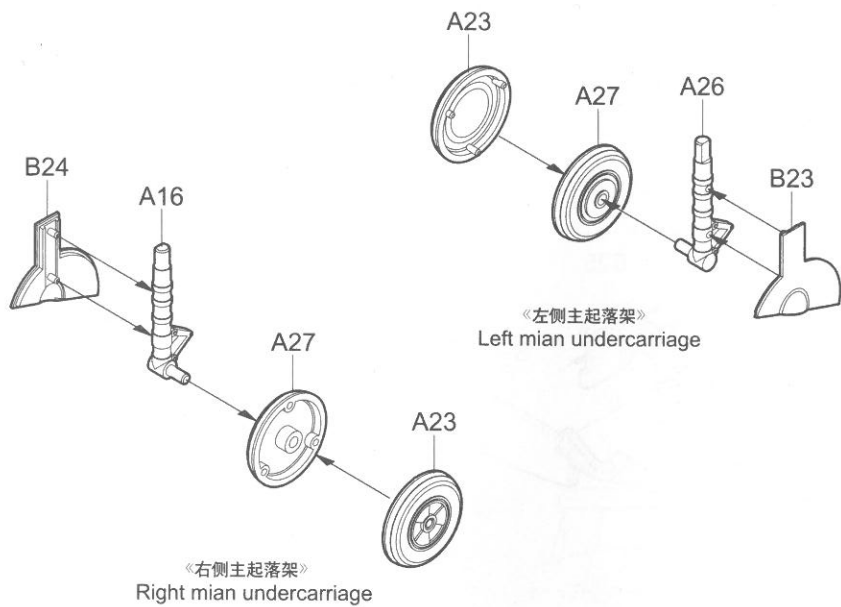


«前轮仓»

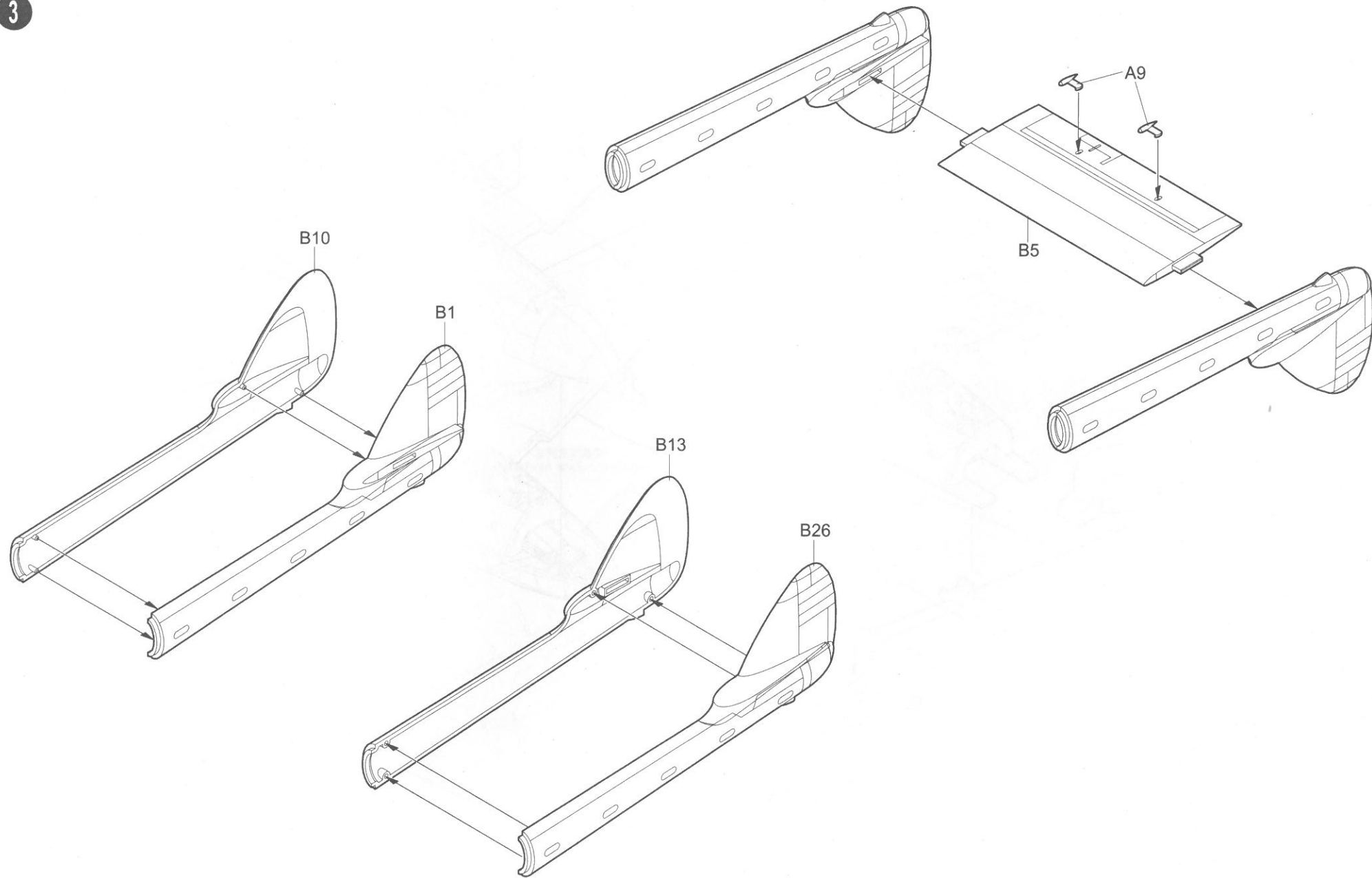


«座舱»
Cockpit

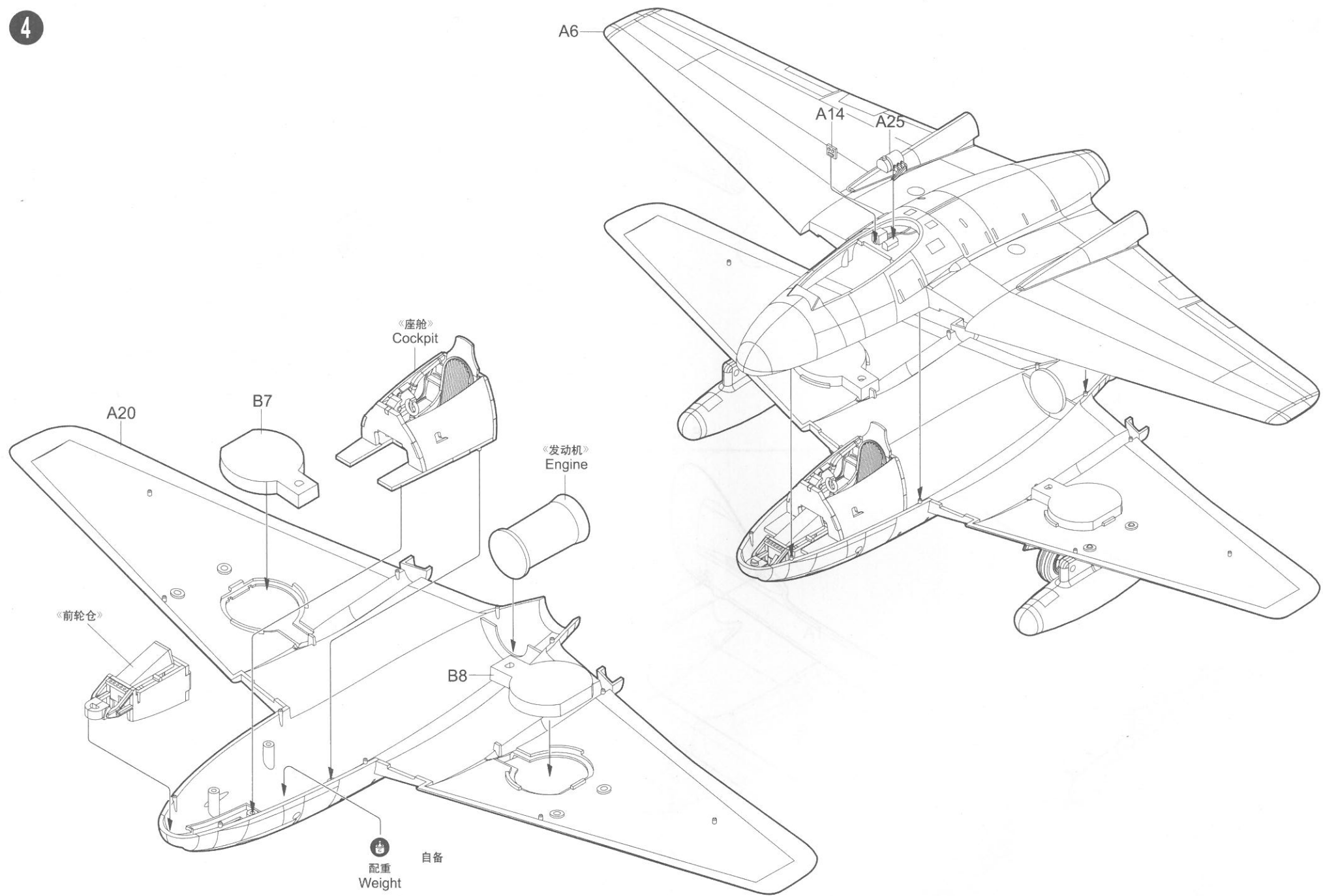
2



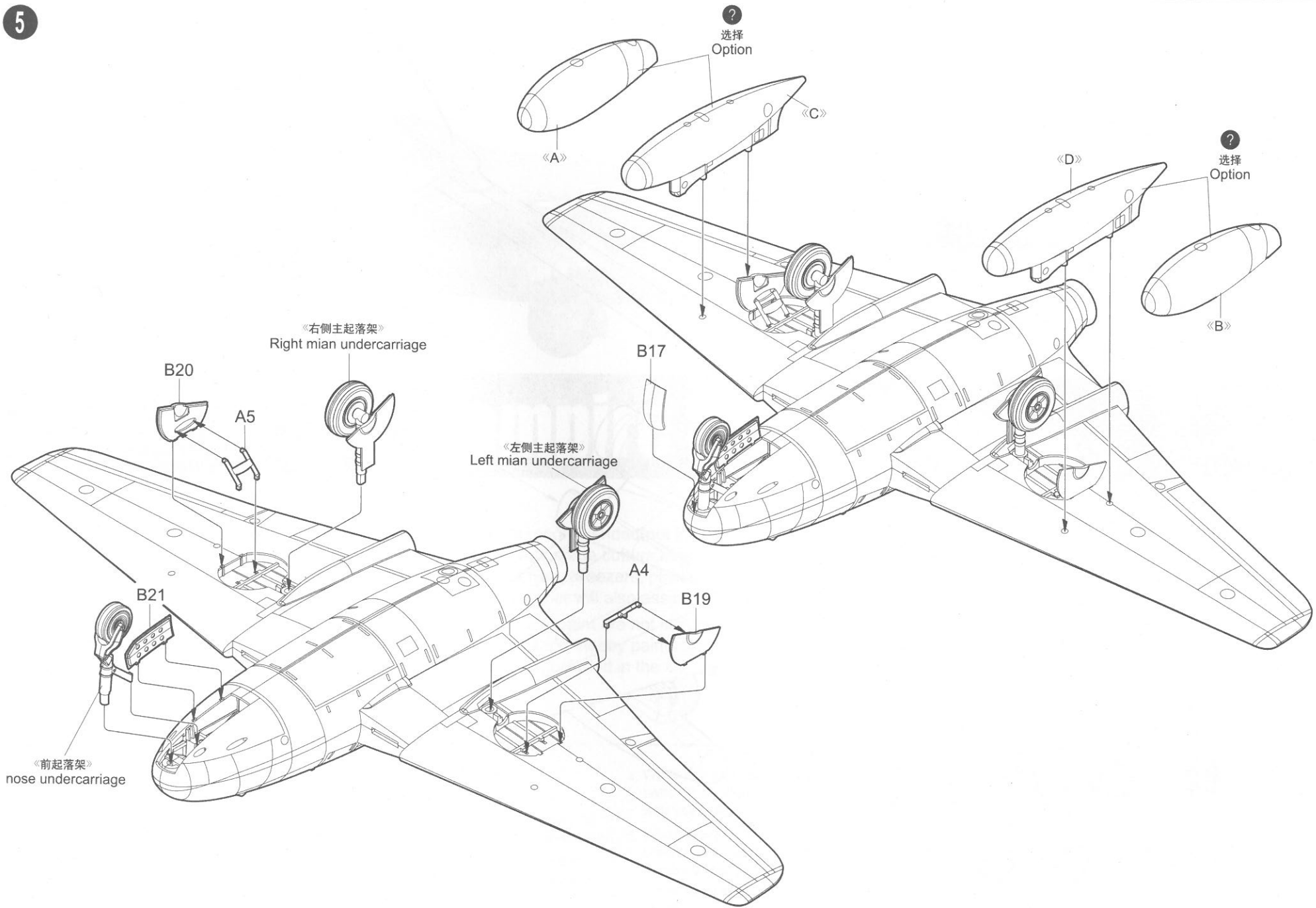
3



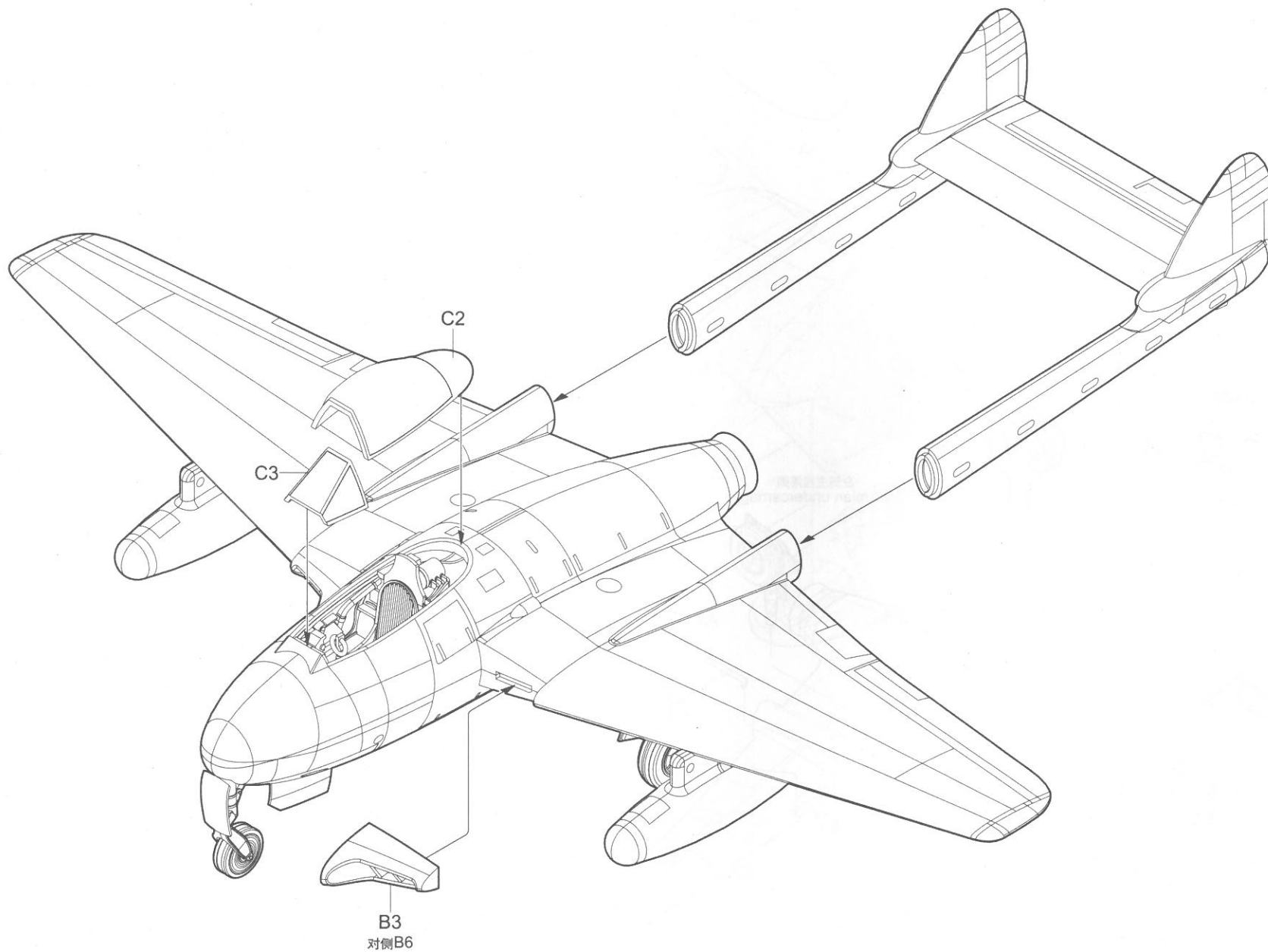
4



5



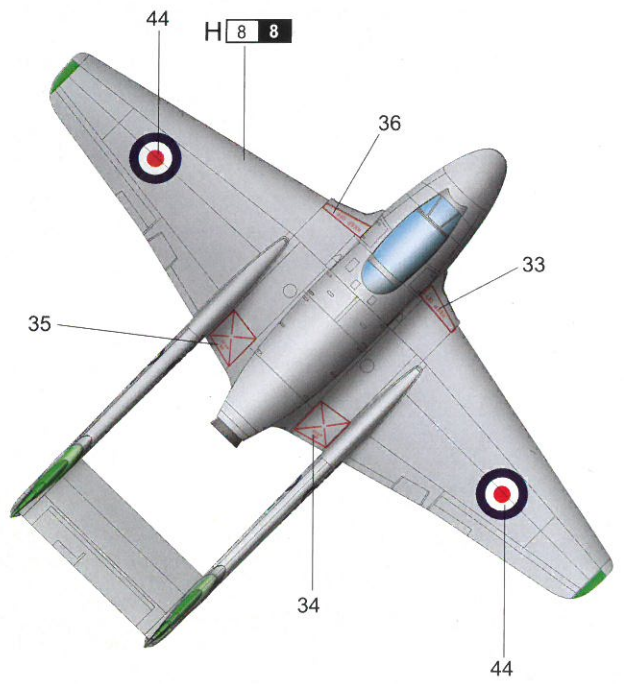
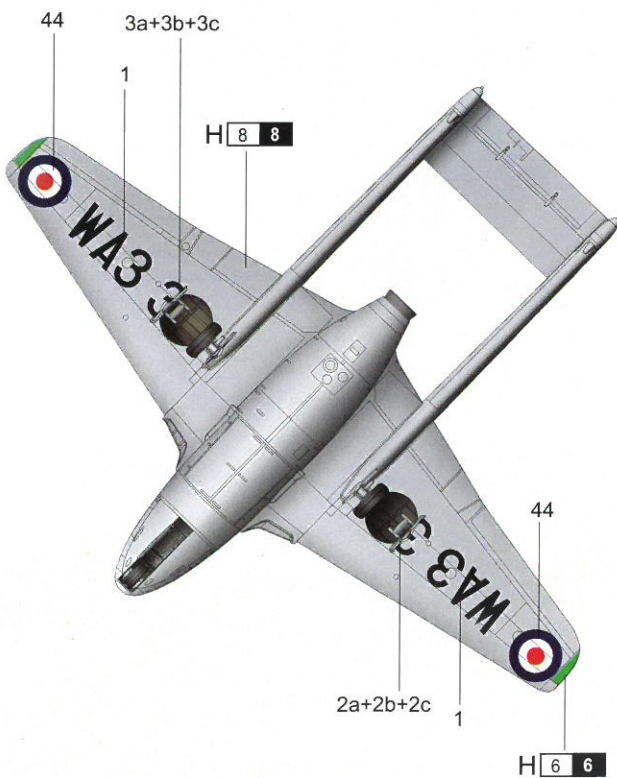
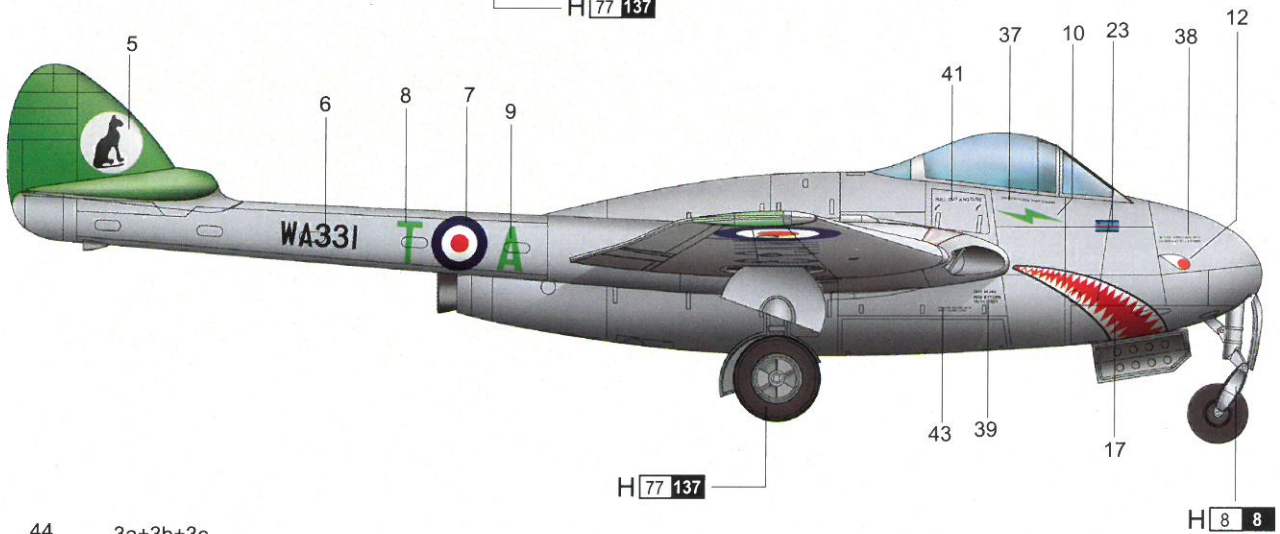
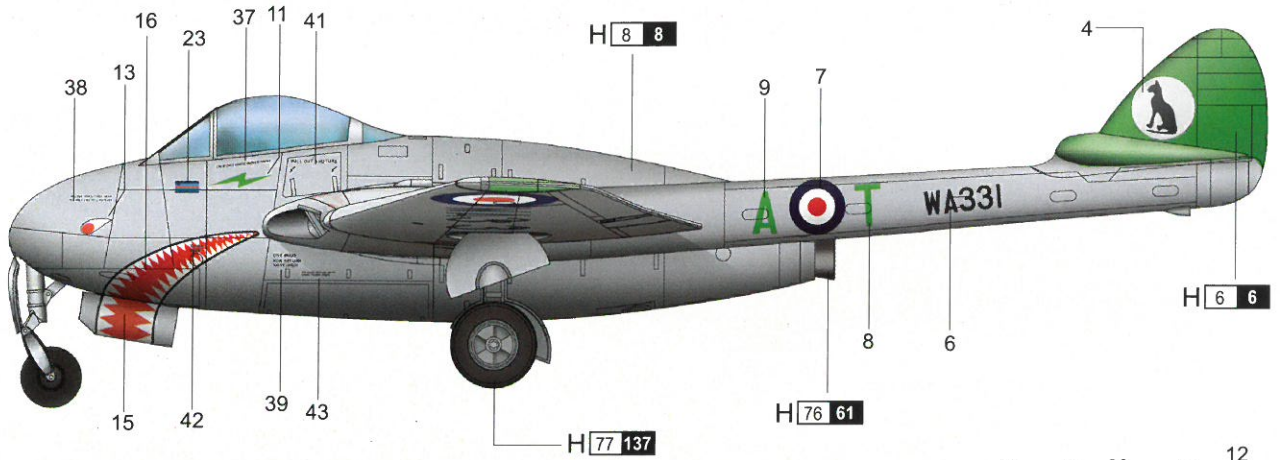
6



涂装同标贴指示
Painting & Marking guide

A

PAINT REFERENCE COLOUR					
Color	Mr.Hobby	Vallejo	Model Master	Tamiya	Humbrol
银色 Silver	H 8 8	997	1546	XF11	11
绿色 Green	H 6 6	969	2716	X5	3
胎黑色 Tire Black	H 77 137	-	-	-	-
烧铁色 Burnt Iron	H 76 61	863	1795	X10	53

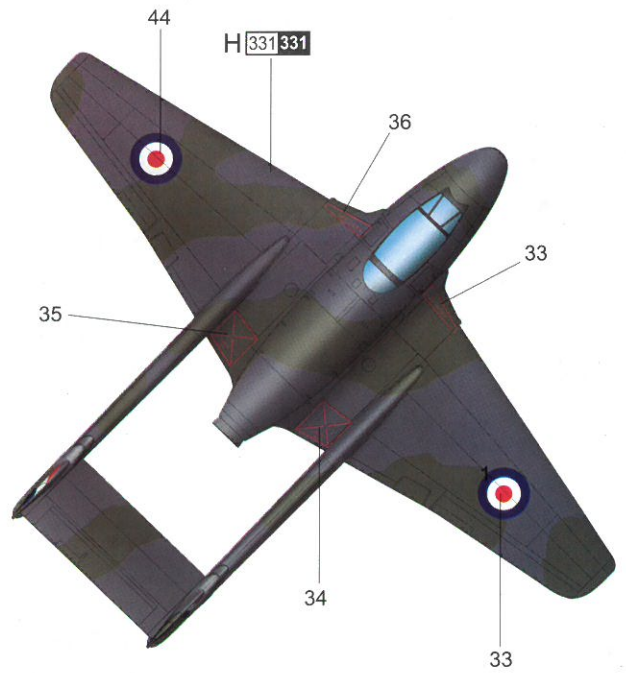
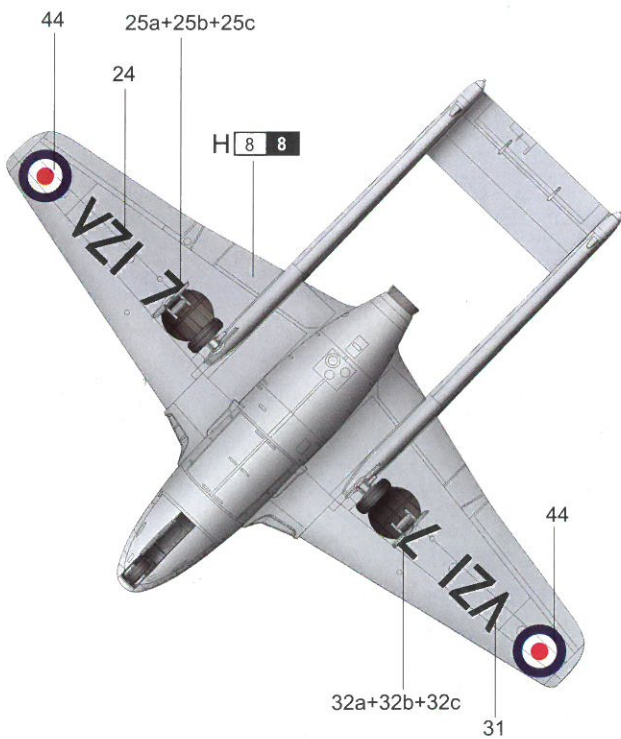
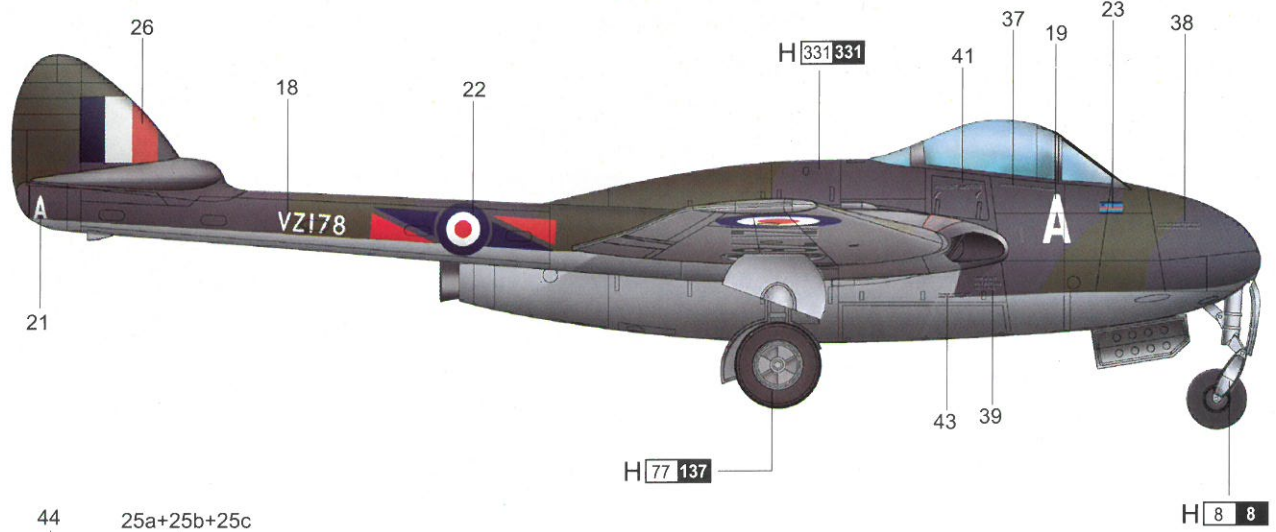
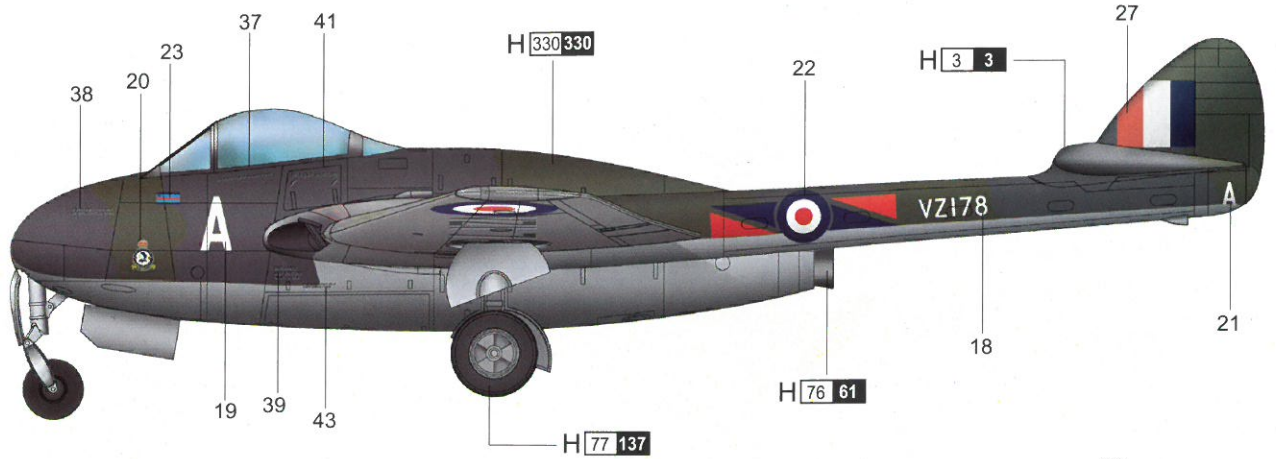


H [] AQUEOUS HOBBY COLOR [] Mr. COLOR

涂装同标贴指示
Painting & Marking guide

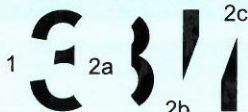
B

PAINT REFERENCE COLOUR					
Color	Mr.Hobby	Vallejo	Model Master	Tamiya	Humbrol
银色 Silver	H 8 8	997	1546	XF11	11
深绿色 Dark Green	H 330 330	892	-	-	163
胎黑色 Tire Black	H 77 137	-	-	-	-
烧铁色 Burnt Iron	H 76 61	863	1795	X10	53
深海灰 Dark Sea gray	H 331 331	-	-	XF54	164



H AQUEOUS HOBBY COLOR x Mr. COLOR

WA3

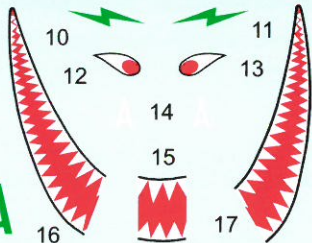


2c

WA33I 6 WA33I



T 8 T



WA3



3c



A 9 A

18

19



23

VZI

7 ' 8 3

25c

24

25b

25a

32c



21



27

28 29

PRESS

30

PRESS

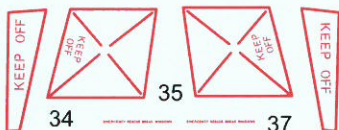
VZI

7 ' 8 3

31

32a

32b



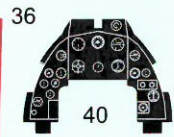
34



35



37



36

40



44



42



43



44

33

38

IN THIS MARK KEEP THIS MARKED OFF AND PULL IN THIS

IN THIS MARK FROM HERE MARKED OFF AND PULL IN THIS

DIVE BRAKE NON-RETURN VALVE MARK

DIVE BRAKE NON-RETURN VALVE MARK

39

PULL OUT AND TUNE

41

PULL OUT AND TUNE

ELECTRICAL TEST(SWITCH)

ELECTRICAL TEST(SWITCH)

42

IN THIS MARK FROM HERE MARKED OFF AND PULL IN THIS

IN THIS MARK FROM HERE MARKED OFF AND PULL IN THIS

43