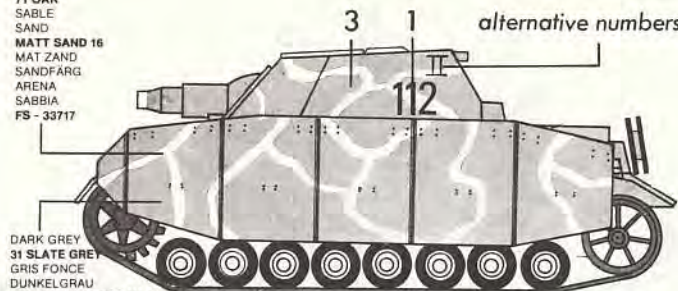


BRUMMBÄR IV

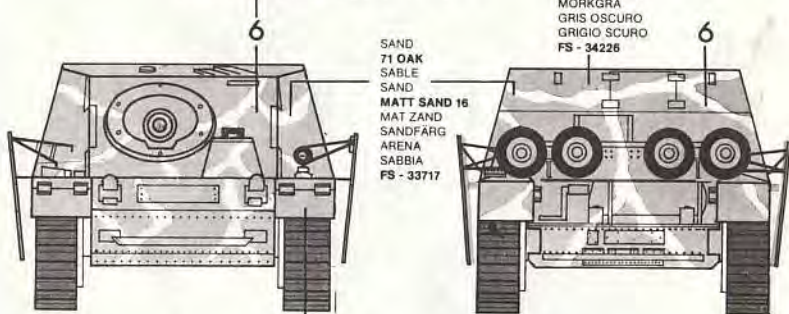
SAND
71 OAK
SABLE
SAND
MATT SAND 16
MAT ZAND
SANDFÄRG
ARENA
SABBIA
FS - 33717



DARK GREY
31 SLATE GREY
GRIS FONCE
DUNKEL GRAU
MATT SCHIEFERGRAU 76
MAT LEI-GRUIS
MÖRKGRÅ
GRIS OSCURO
GRIGIO SCURO
FS - 34226

DARK GREY
31 SLATE GREY
GRIS FONCE
DUNKELGRAU
MATT SCHIEFERGRAU 76
MAT LEI-GRUIS
MÖRKGRÅ
GRIS OSCURO
GRIGIO SCURO
FS - 34226

alternative marks 7-8-9

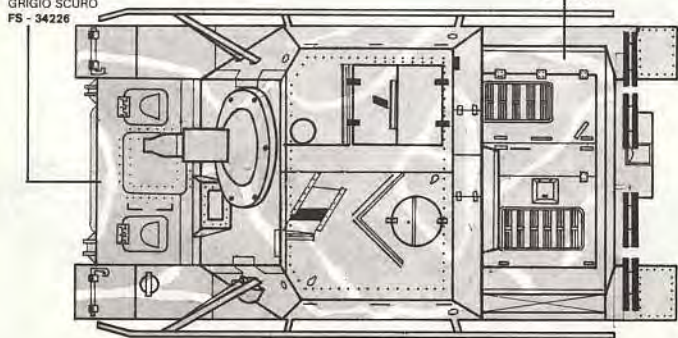


SAND
71 OAK
SABLE
SAND
MATT SAND 16
MAT ZAND
SANDFÄRG
ARENA
SABBIA
FS - 33717

DARK GREY
31 SLATE GREY
GRIS FONCE
DUNKELGRAU
MATT SCHIEFERGRAU 76
MAT LEI-GRUIS
MÖRKGRÅ
GRIS OSCURO
GRIGIO SCURO
FS - 34226

SAND
71 OAK
SABLE
SAND
MATT SAND 16
MAT ZAND
SANDFÄRG
ARENA
SABBIA
FS - 33717

alternative marks 4



SPECIFICATION

GENERAL

CREW: 5.
BATTLE WEIGHT: 30.4 TONS.
GROUND PRESSURE: 13.9 LBS/SQ. IN.

DIMENSIONS

LENGTH: 19 FT.
HEIGHT: 8 FT.
WIDTH: 9.4 FT.
WIDTH OF TRACK: 15.8 IN.
GROUND CLEARANCE: 15.8 IN.

ARMAMENT

ONE 15 CM. STU. H-43 CALIBER LENGTH 12.

ENGINE

HL 120 TRM MAYBACH, 300 HP AT 3,000 RPM, 12 CYLINDERS IN V-BLOCK,
GASOLINE, LIQUID COOLED, COMPRESSION RATION 6.5:1.

PERFORMANCE

SPEED: 25 MPH ON ROADS, 10 MPH
GROSS-COUNTRY.
CLIMBING ABILITY: 30° (57%) SLOPE.
TRENCH CROSSING ABILITY: 7.2 FT.
FORDING DEPTH: 39.4 IN.
FUEL CAPACITY: 125 GAL.
RADIUS OF ACTION: 124 MILES ON ROADS,
78 MILES CROSS-COUNTRY.

1/72 SCALE

KIT 8065

MADE IN ITALY



