

PLEASE OPEN CAREFULLY — INSTRUCTIONS OVERLEAF

Ask for other AIRFIX Models in this series

Wing span 36' 0". Length 23' 9"

maximum speed of 123 m.p.h.

The Auster is powered by a De Havilland Gipsy Major engine of 145 h.p., giving a light aircraft of the present time.

Wheel, boat or ski undercarriage, has made the Auster one of the most widely used of any ability to take off and land in a restricted space, coupled with reliability and the choice of a and liaison aircraft, and has been progressively developed, both for military and civil use. The Auster was first introduced during the Second World War, as an artillery observation and direction-finding equipment.

This specially modified aircraft supplied to the Antarctic expedition is one of the latest of the famous series of Auster aircraft, and is a variant of the Auster in current service with the British Army. It differs from the standard aircraft in its additional fuel capacity and more elaborate radio and direction-finding equipment.

AUSTER 6 ANTARCTIC



AIRFIX-72 SCALE

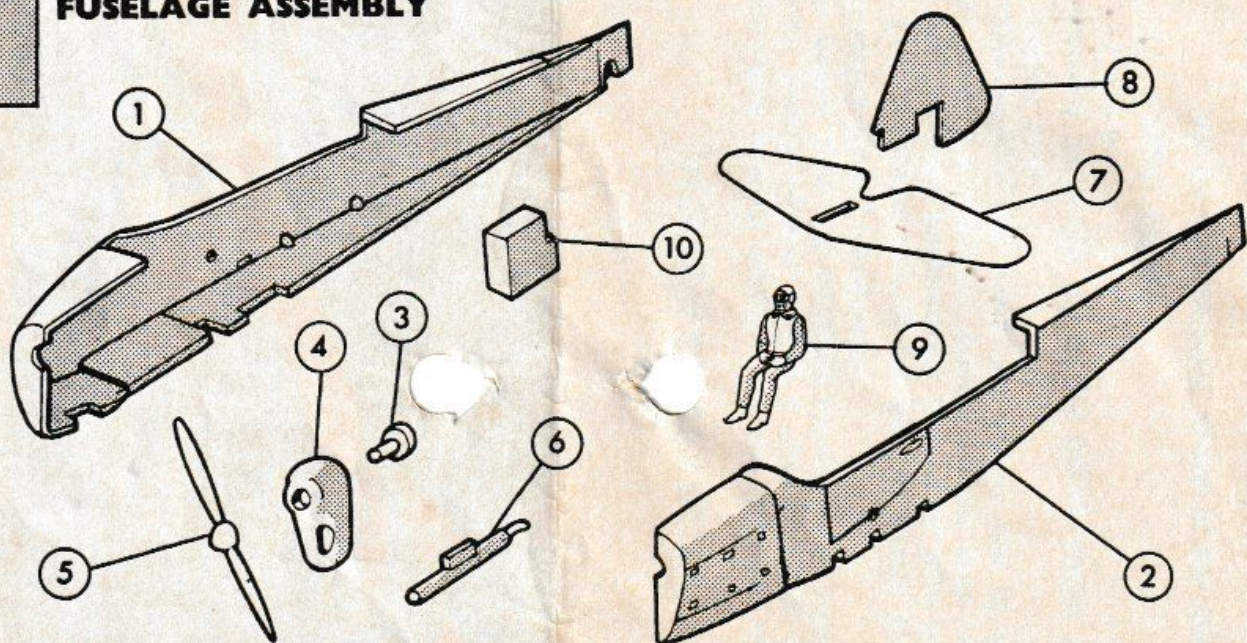
AUSTER ANTARCTIC

AUSTER ANTARCTIC

INSTRUCTIONS

N.B. FOR PAINTING USE "AIRFIX" PAINTS, FOR FIXING USE "AIRFIX" POLYSTYRENE CEMENT
PAINT ALL DETAILS AND LET DRY BEFORE ASSEMBLING (SEE SECTION 4)

1 FUSELAGE ASSEMBLY

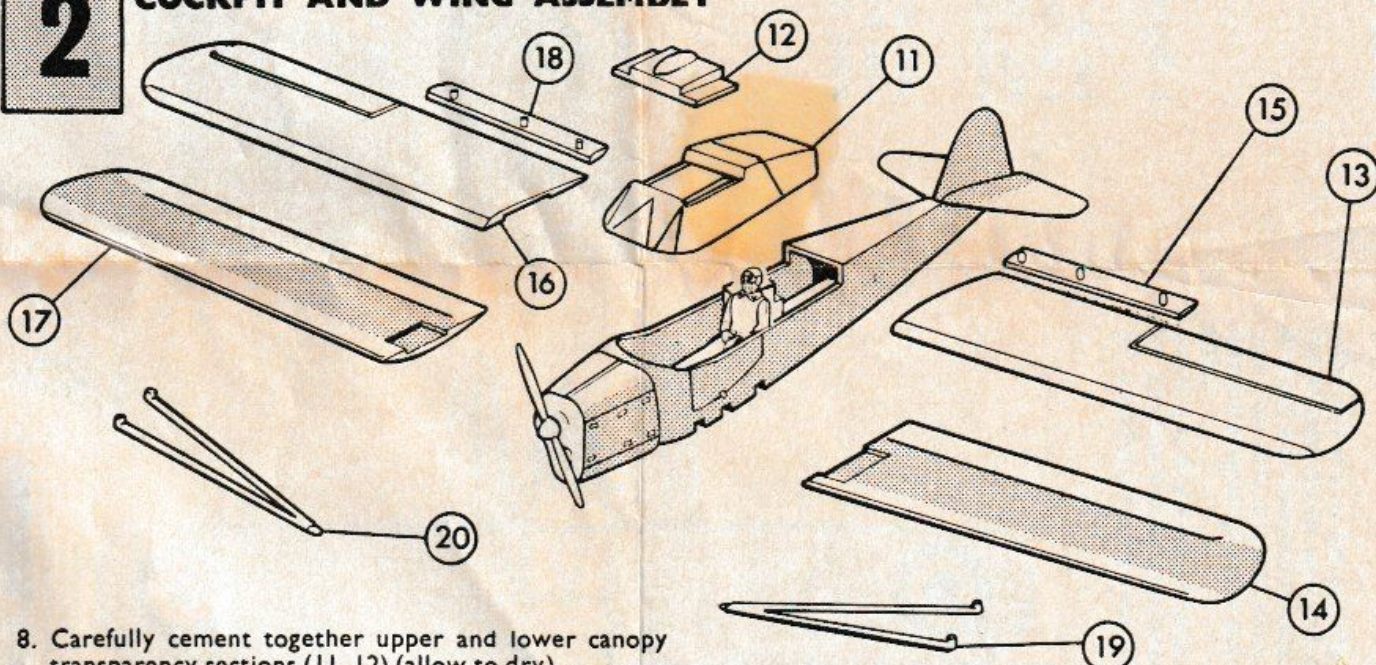


It is recommended that the instructions and exploded views are studied before commencing assembly. Note that some parts are best painted before assembly.

1. Cement pilot (9) to seat on inner port fuselage half (2).
2. Locate and cement port and starboard (1) fuselage halves together. Set aside to dry.
3. Insert propeller shaft (3) through nose cap (4) and cement into locating hole in rear of spinner (5) ensuring no cement comes into contact with nose cap.

4. Locate and cement nose assembly to front of fuselage.
5. Locate and cement tab on exhaust pipe (6) into locating slot beneath nose.
6. Locate tab on tailplane (8) into locating slot in tailplane (7) then cement into fuselage (allow to dry.)
7. Locate and cement radio console (10) between pins on cockpit floor, the open side facing to the outside of the cockpit.

2 COCKPIT AND WING ASSEMBLY

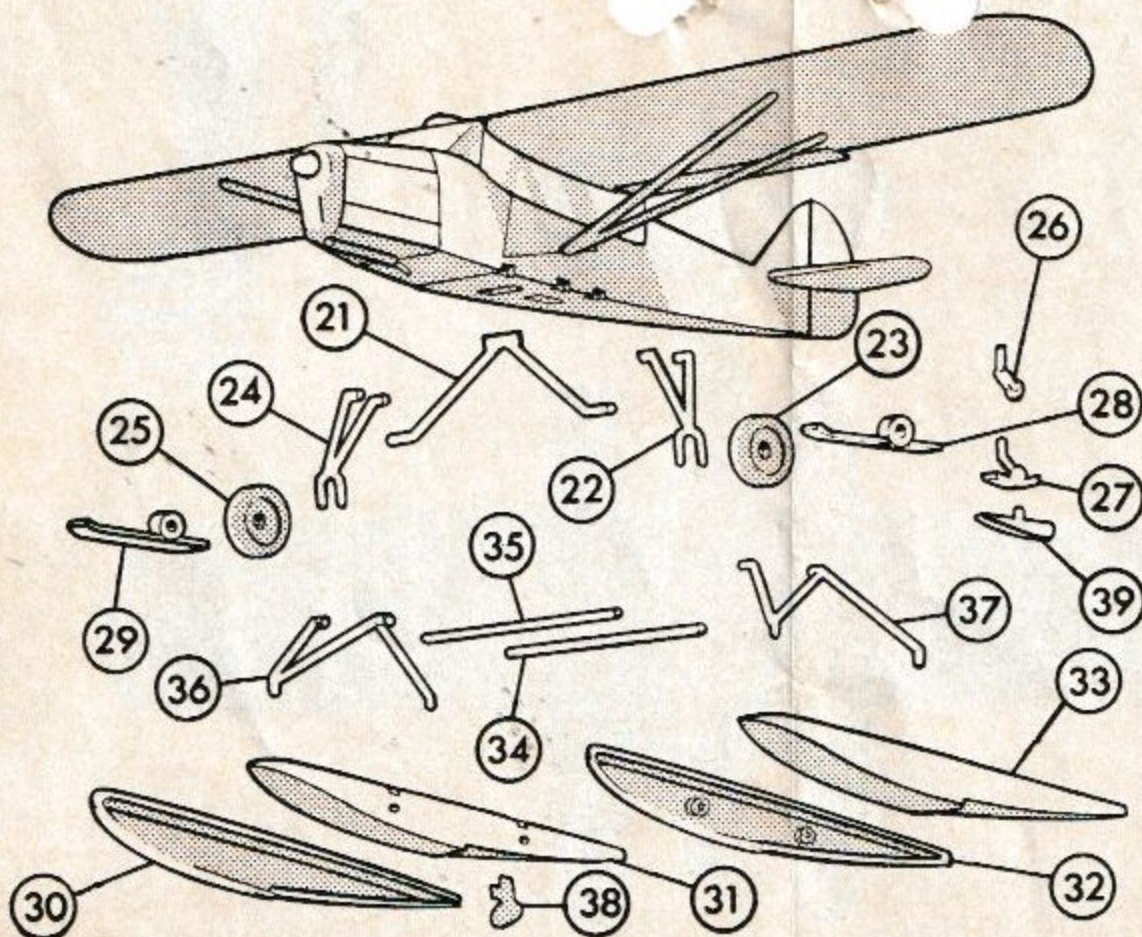


8. Carefully cement together upper and lower canopy transparency sections (11, 12) (allow to dry).
9. Cement canopy assembly to fuselage. applying cement carefully to edges of canopy.
10. Cement together upper and lower halves of port wing (13, 14). Allow to dry, then locate cement flap (15) into locating holes beneath trailing edge of wing.
11. Repeat the above procedure for the starboard wing and flap (16-18).

12. Locate and cement slots in inner ends of wing assemblies onto protruding tabs on top of cockpit transparency.
 13. Locate and cement wing struts (19, 20) into locating holes in underside of wing and in side of fuselage beneath cockpit (set aside to dry).
- At this stage, it must be decided which of the three (wheel, ski or float) undercarriages is to be employed.

3

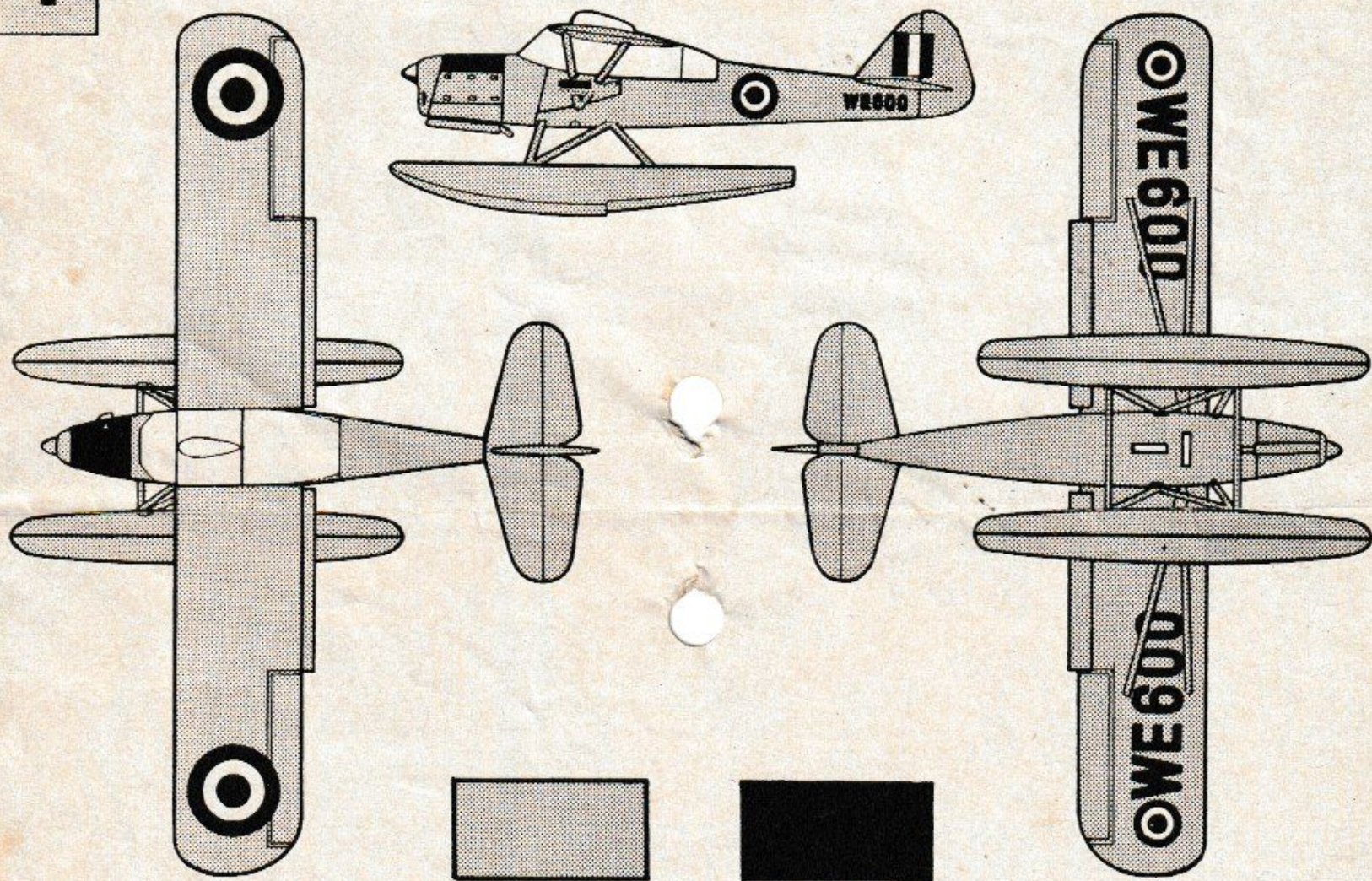
UNDERCARRIAGE AND FLOAT ASSEMBLY



14. WHEELS. Locate and cement central brace (21) into angled locating slot beneath fuselage.
15. Locate and cement undercarriage struts (22-24) over axles on brace and into forward locating holes in fuselage side.
16. Cement wheels (23, 25) onto protruding ends of axles.
17. Locate and cement tailwheel (26) into locating hole beneath rear of fuselage.
18. SKIS. The procedure is the same as above, except that the larger skis (28, 29) are cemented onto the axles in place of the wheels and the small ski (27) replaces the tailwheel.
19. FLOATS. Locate and cement together inner and outer halves of port and starboard floats (30-33).
20. Locate and cement ends of spreader bars (34, 35) into locating holes in sides of assembled floats, ensure assembly is correctly aligned (set aside to dry).
21. Locate and cement port and starboard struts (36, 37) into locating holes in top of floats and to front and rear locations in fuselage sides.
22. Cement locating pin on water rudder (38) into locating hole at rear of starboard float.
23. Cement locating pin on supplementary fin (39) into locating hole beneath rear fuselage.

4

COLOUR SCHEME



24. Cement together both parts of stand.

25. Cement arm of stand into slot provided in fuselage.

Note, if it is wished to paint the model it should be done at this stage.

Apply transfers. First cut the sheet into fifteen separate subjects. Then dip each in warm water for a few minutes, slide transfer off backing into position as shown on illustration. The large roundels are applied above the wing tips, the smaller roundels below the wing tips and to the fuselage sides. The large serial numbers are

applied beneath the wing, facing forward beneath the starboard wing and to the rear beneath the port. The small serial numbers are applied to the rear fuselage sides, beneath the tailplane, and the fin flashes to each side of the fin. The small warning panels are applied to the fuselage sides, beneath the cockpit and the aircraft name to the transparent base.

Orange:

Black:

Silver:

Complete aircraft except

Anti-glare panel above engine, tyres.

Propeller and spinner.