



# Grumpys' Toy



M877-200

## PLEASE READ THIS FIRST:

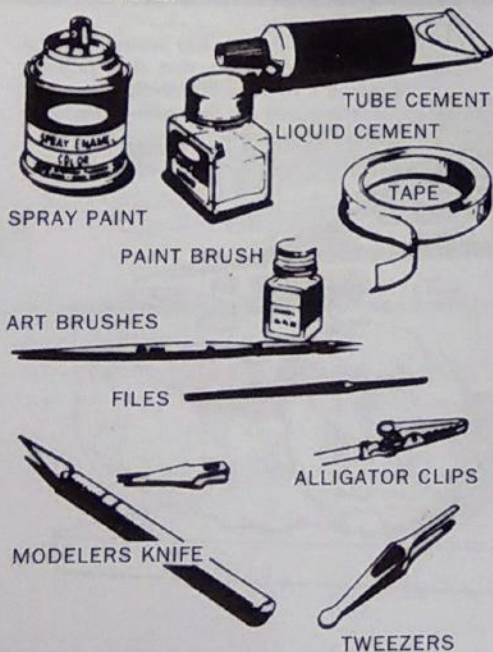
Before you begin any construction, please look over and read this instruction sheet. Study each illustration carefully. Scrape plating and/or paint from cement contact points. Use only cement and paint designed for styrene plastic. As you build this kit, work assembly by assembly in order. Do not skip around. If you have any difficulty, go back and re-read step by step.

## FOLLOW THE NUMBERS STEP-BY-STEP

- ① NON-PLATED PARTS
- ② PLATED PARTS
- 1 PART NUMBERS

Shown below are an assortment of supplies and tools which will help you with your construction.

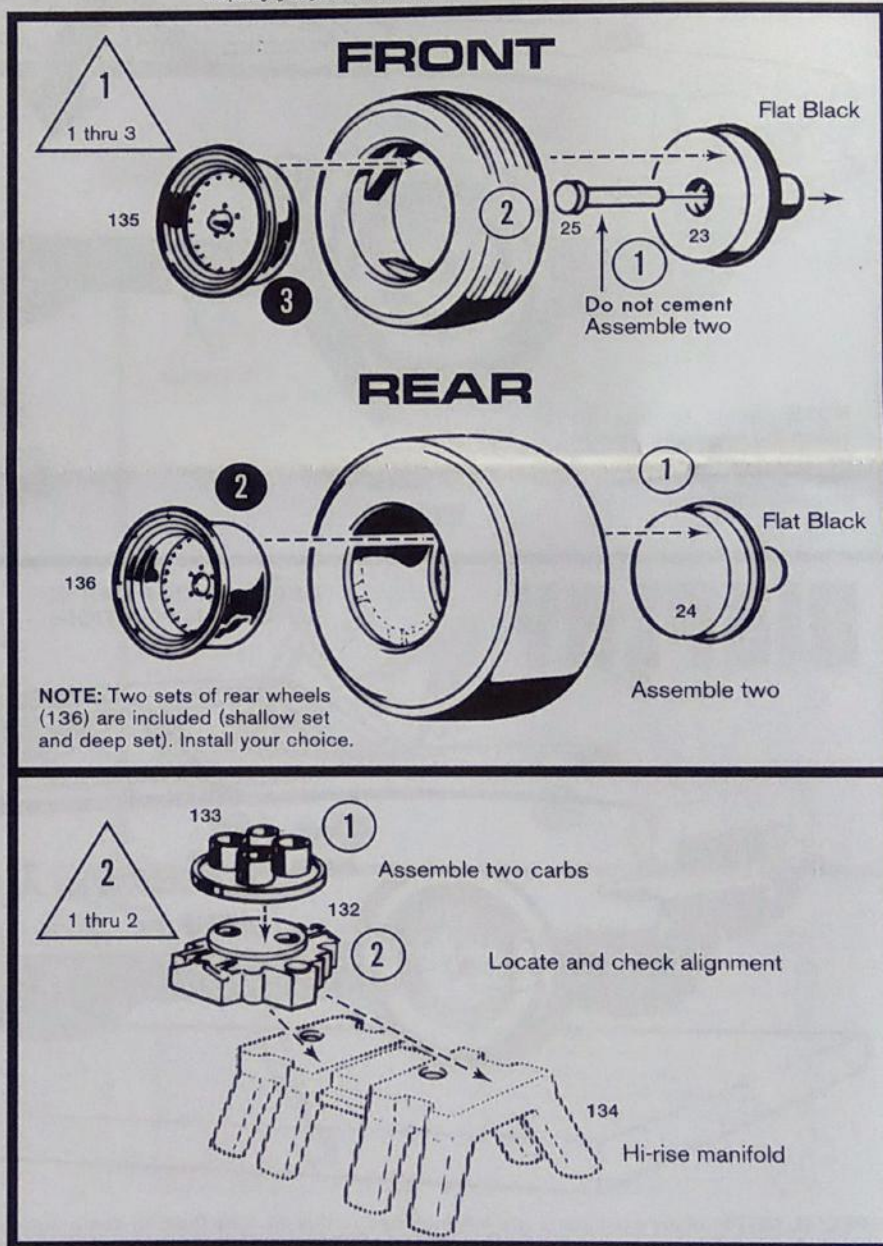
THESE SUPPLIES ARE AVAILABLE AT YOUR LOCAL HOBBY STORE.

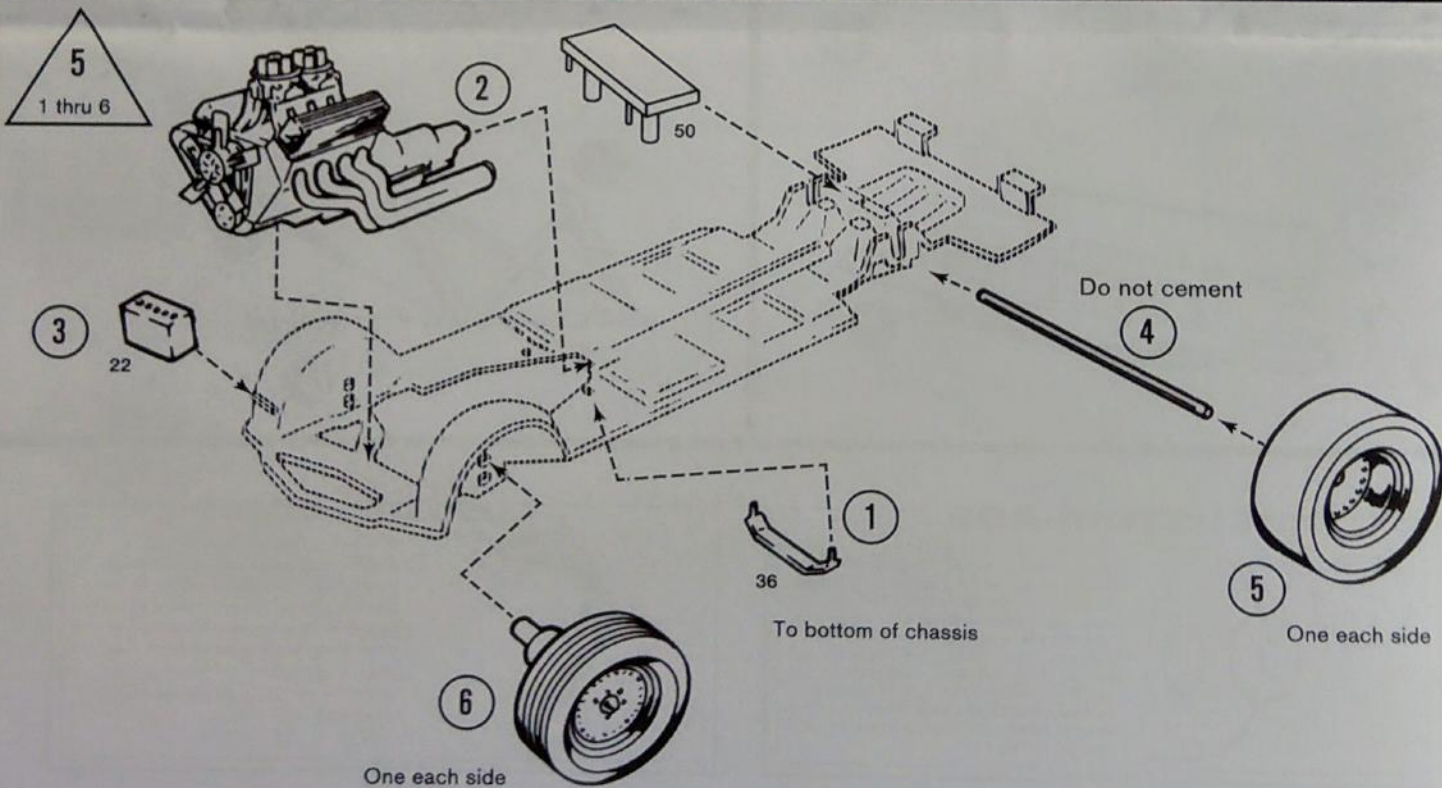
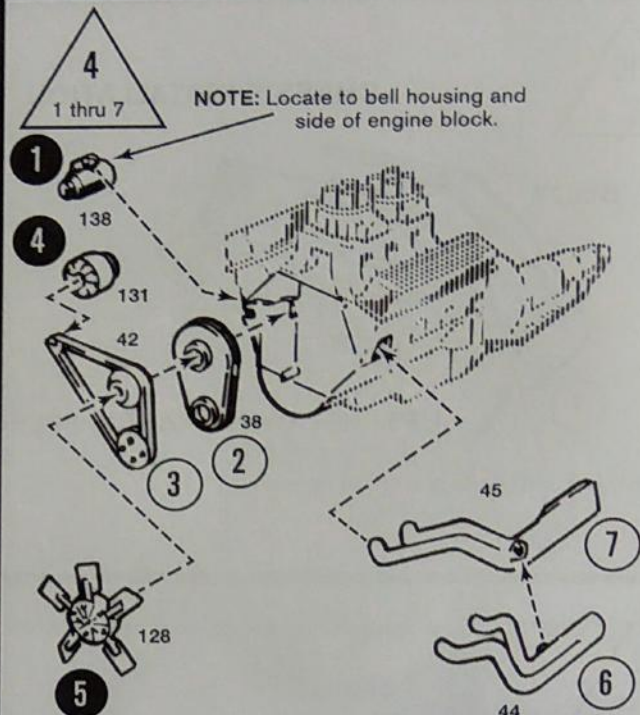
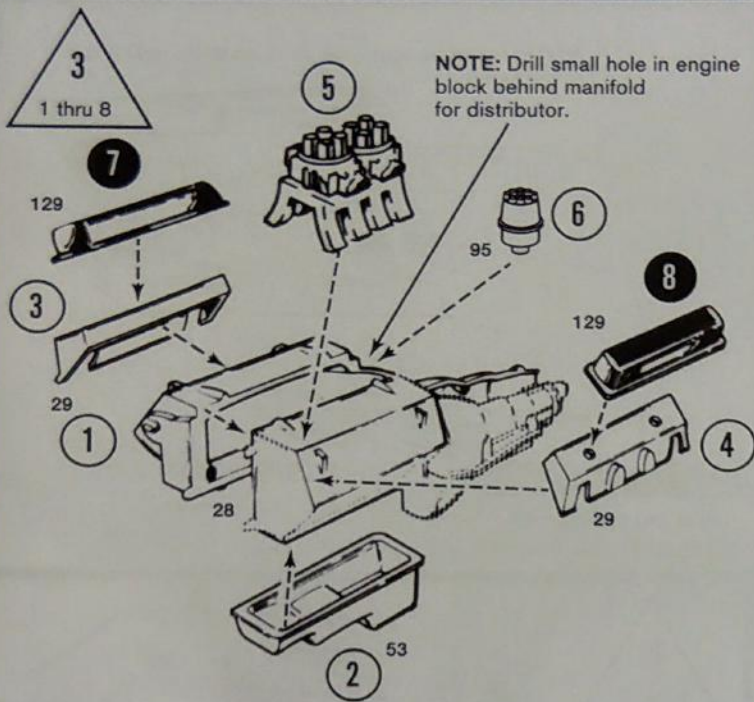


## 1972 CHEVY VEGA PRO STOCKER

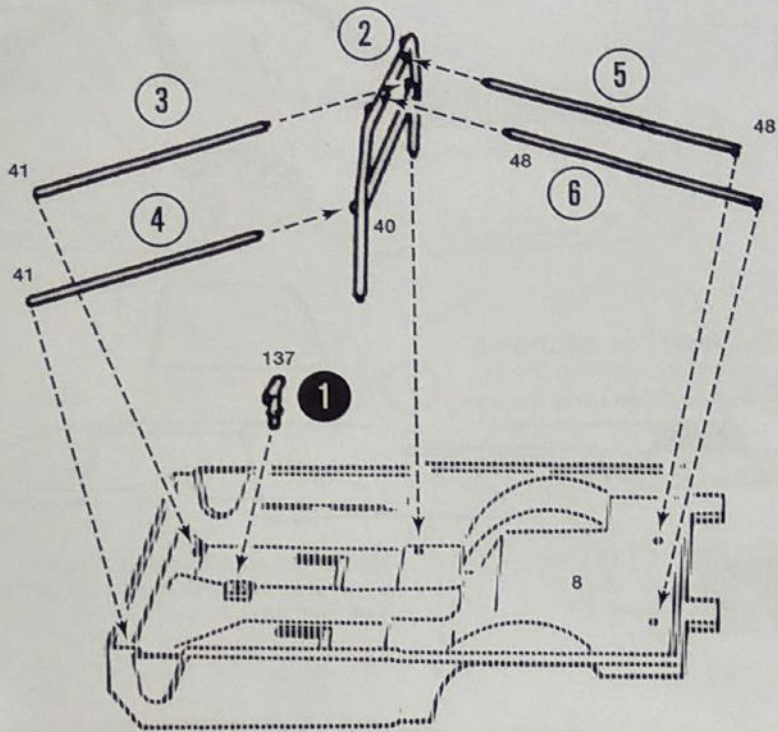


GENERAL MOTORS Trademarks used under license to Round 2, LLC. Firestone and F Shield Logo are registered trademarks of Bridgestone Brands, LLC and are used with permission. Other names and trademarks used under license to Round 2, LLC or by permission. MPC is a registered trademark of Round 2, LLC. ©2020 Round 2, LLC, South Bend, IN 46628 USA. Product and packaging designed in the USA. Made in China. All rights reserved.

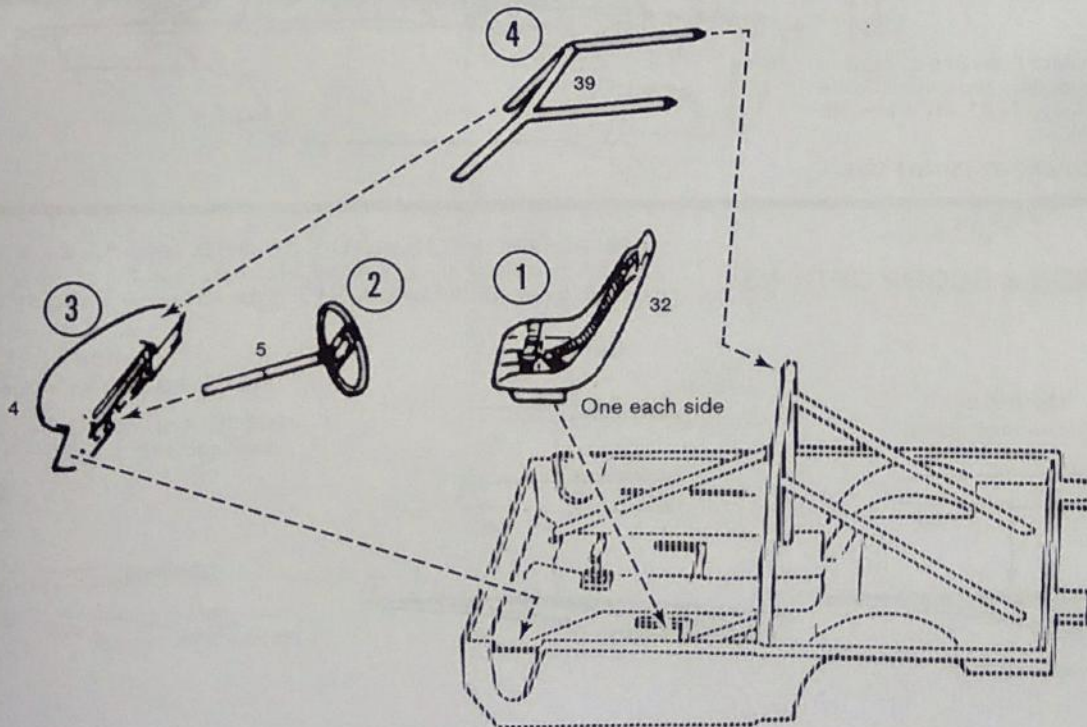




6  
1 thru 6



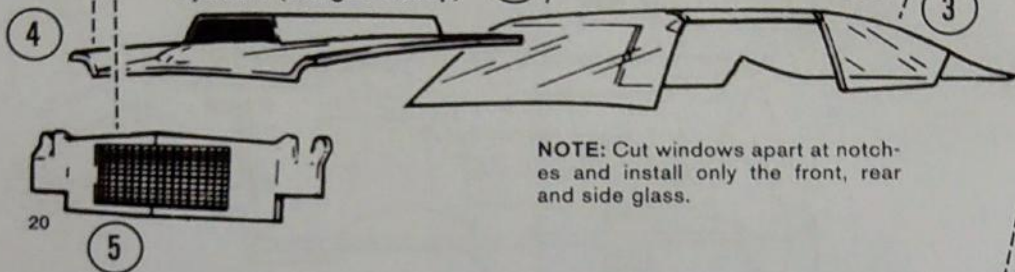
7  
1 thru 4



8  
1 thru 7

NOTE: Locate hood from top of body. Do not cement hood in place.

NOTE: See SECTION 9 before installing hood.  
Option 1 (Integral Scoop)



NOTE: Cut windows apart at notches and install only the front, rear and side glass.

NOTE: Cement firewall 6 to front of interior assembly, then install as a unit into body. TEST FIT BEFORE CEMENTING.

FIREWALL PART 37 IS NOT USED.

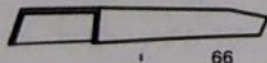


9

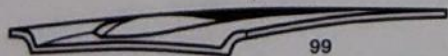
## HOOD & SCOOP OPTIONS

NOTE: BEFORE INSTALLING HOOD, decide which hood and scoop option you wish to include on your model. There are 3 additional options using alternate hood part 99 (with hole) and the additional scoop parts shown.

Option 2  
Early extended scoop



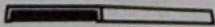
66



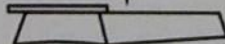
99

Optional hood with hole

Option 3  
Pro stock scoop



97



98

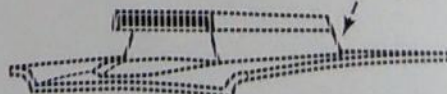


Option 4  
Pro stock scoop with extension

NOTE: Assemble Option 3 first, then add scoop extension, 96.



96



10  
1 thru 4

## CHASSIS INSTALLATION

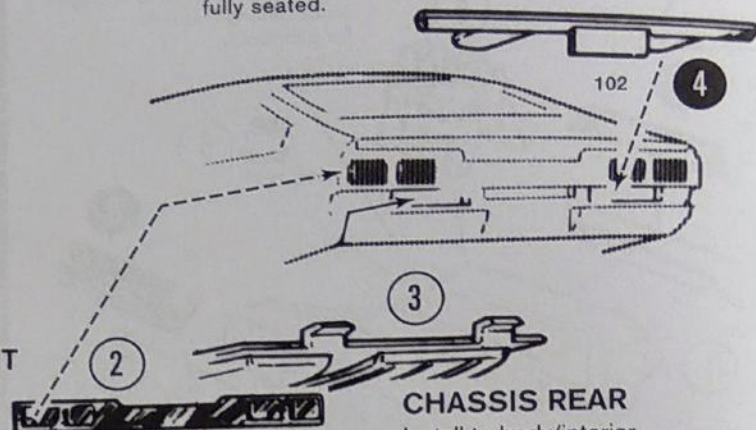
BODY



1 UPSIDE-DOWN CHASSIS FRONT

NOTE: Front of chassis to tab on body

NOTE: Insert bumper into slots on body until it is fully seated.



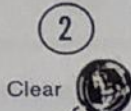
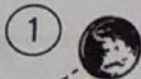
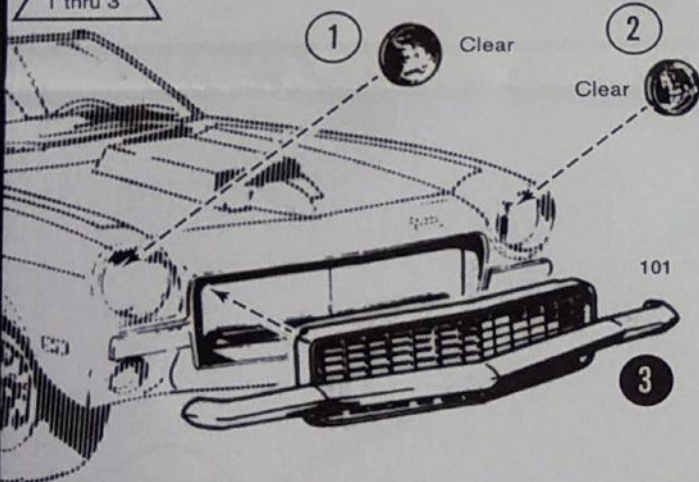
2 Clear red taillight unit

3 CHASSIS REAR  
Install to body/interior

NOTE: Install from inside body with notch facing up.

NOTE: 2 extra headlight lenses are included as spares.

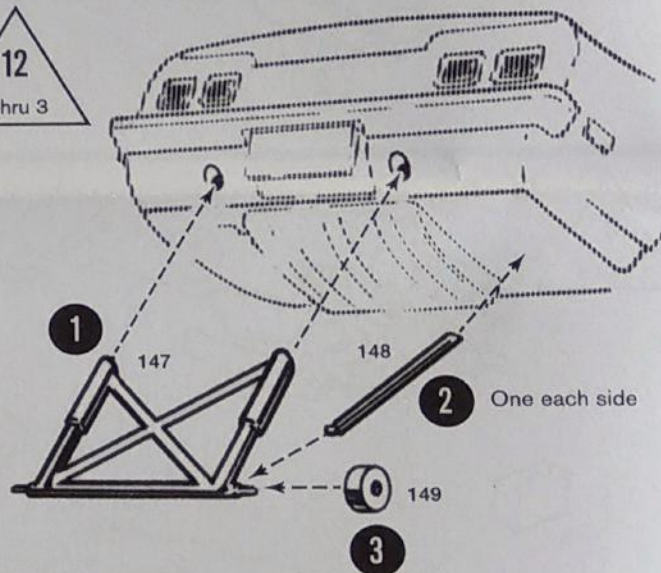
11  
1 thru 3



101

3

12  
1 thru 3



1

147

148

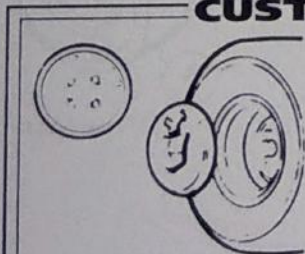
2

One each side

149

3

## CUSTOM-ADE



**CUSTOMIZING WITH BUTTONS**  
Many National Model Car Contest Winners have come out on top because they were able to take everyday household items and turn them into custom parts for their entries. The next time you're looking for something new, or different, check around the house for old buttons. Four embossed metal buttons can easily be converted into a set of hubcaps, or perhaps a pearl button could become a custom steering wheel. Use your imagination, and become a winner!

CLIP and SAVE

## CUSTOM-ADE



### PAINTING FIXTURE

A coat hanger, when bent into the shape shown in the illustration, will make an excellent painting fixture. The end of the hanger can be reformed to fit each model. If there is any danger of the model slipping, place a small piece of masking tape across the end of the hanger for added insurance.

CLIP and SAVE

13

# DECAL



MANLEY

SUPER CREW - JOE TRYGON  
- DICK WHITMAN  
- D. VON BARGEN  
- R. TAMACCIO

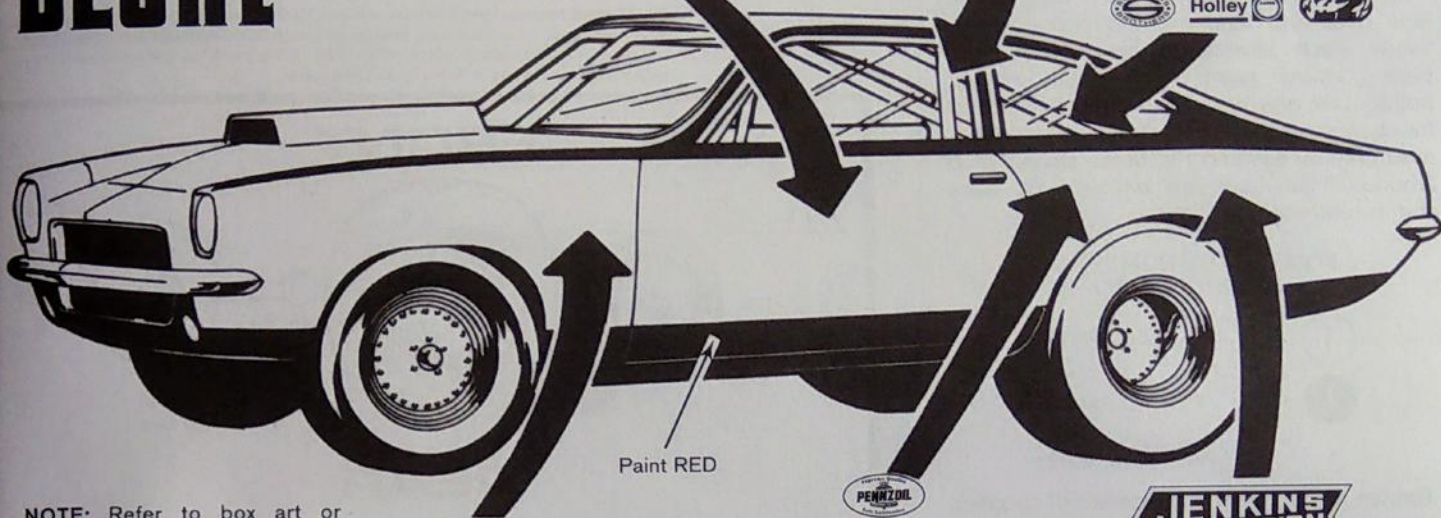


100  
PRO

CHAMPION



Holley



Paint RED



JENKINS  
COMPETITION

NOTE: Refer to box art or search the Internet for photos of Grumpy Jenkins' Pro Stock Vega™ for additional decal placement variations.

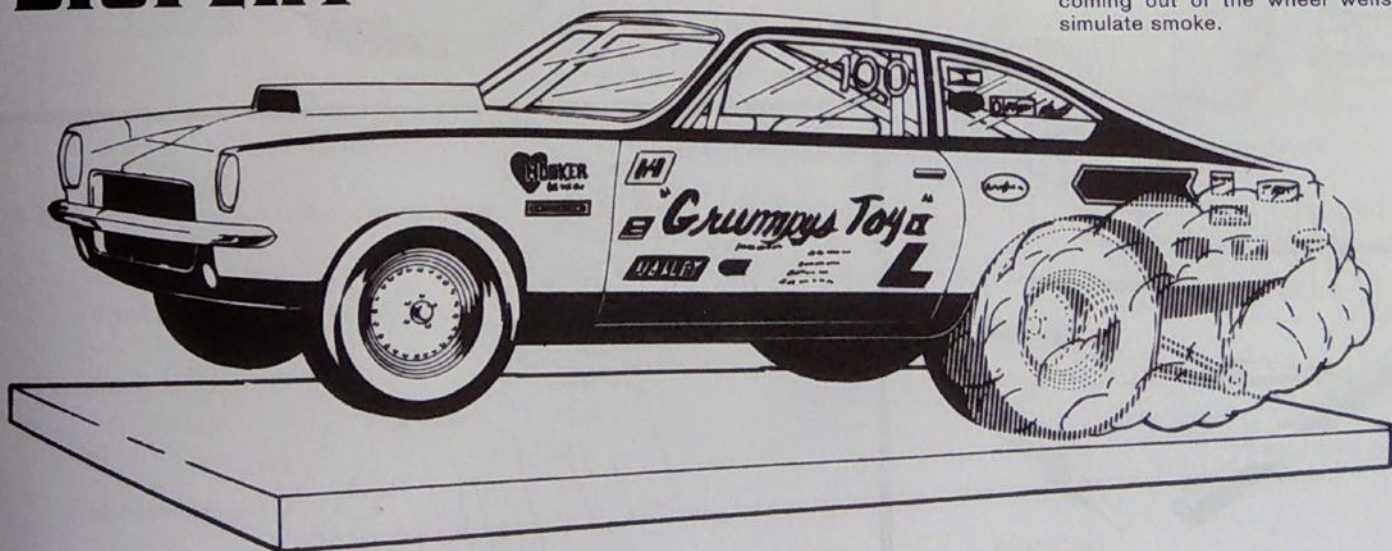


CRAGAR

# DISPLAY

DISPLAY YOUR CAR IN AN ACTION POSITION!

Cement wheelie bar wheels to the display stand so that the Vega is doing a wheelie stand. Place cotton coming out of the wheel wells to simulate smoke.



SPECIAL NOTE: Many extra parts are left included in this kit. Use them to customize your model or keep them for future "kit-bashing" projects!