

B. W. MODELS.

ELECTRICAL SERVICING TROLLEY.

This is one of the many pieces of service equipment seen around static aircraft and is used for servicing the electrical equipment on aircraft and also for starting some types of aircraft. This is the Mk5 version and was rated at 28 volts

GENERAL NOTES.

Please read all the instructions carefully before commencing assembly. Clean all the sprue marks and any flash from the pieces before starting. A dry run of pieces is recommended before final assembly. The model can be assembled using either Superglue, 5 minute epoxy adhesive or Low melt Solder. The kit contains 21 pieces and below is a suggested sequence for assembly.

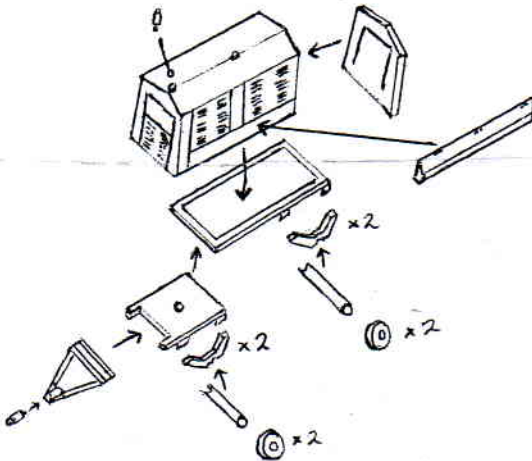
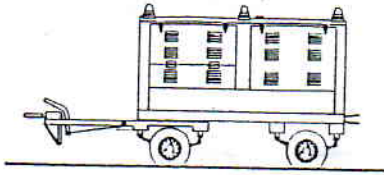
ASSEMBLY INSTRUCTIONS.

- 1). Fit the rear wall to the main body. Note 2 separate rear walls are provided. The choice is yours.
- 2). Fit the main body onto the floor unit, noting that the spring hangers on the underside of the floor go to the rear.
- 3). Fit the springs onto the hangers on the underside of the floor unit and the front turntable assembly.
- 4). Fit the wheels to the axles.
- 5). Fit the complete axle assemblies to their location points on the underside of the springs.
- 6). Fit the turntable unit to the underside of the front of the body.
- 7). Fit the long stowage locker onto the lower near side body (when looking forwards).
- 8). Fit the fire extinguisher to its location point on the near side of the rear wall.
- 9). Fit the exhaust to its location point on the roof.
- 10). Fit the tow hitch centrally to the lower rear wall.
- 11). Fit the towing pintle to the front of the triangular towing bracket.
- 12). Fit the complete towing bracket between the front arms of the turntable unit.

PARTS LIST

Main body,	End wall x 2.	Axle x 2.	Wheel x 4.
Towing bracket.	Towing hitch	Towing pintle.	Fire extinguisher.
Exhaust	Body floor.	Spring x 4.	Stowage locker.
Turntable.			

Electrical Servicing Trolley.



It is hoped you enjoyed building this kit. It is one of an ever growing range. Should you have any complaint, query or suggestions for future kits, please contact the address below.

If you require an up to date price list, please send an A5 size Stamped Self Addressed Envelope to:-

B. W. Models, Hillcrest, Kirk Brae, Cuminestown, Turriff AB53 5YZ, Aberdeenshire.