

BBR
MODELS

F2002

MET 113 G.P. FRANCIA

BBR
METAL
KIT

Q

Procar fluorescent red
Cod. BBR Ver 03

1 Verniciare la vettura di bianco
Paint the body in white
Peindre la voiture de blanc

2 Applicare due mani di vernice Procar Fluorescent Red
Spray two coats of Procar Fluorescent Red
Donner deux couches de Procar Fluorescent Red

3 Verniciatura finale di trasparente
To finish transparent
Utiliser le transparent pour la dernière touche

A Flat black XF1 (1749)	B Metallic grey XF56 (2713)	C White X2 (1745)	D Gun Metal X10 (1405)	H Flat aluminium XF16 (1781)	M Red X7 (2719)	N Blue X4 (1510)	R Gold X12 (2722)
--------------------------------------	--	--------------------------------	-------------------------------------	---	------------------------------	-------------------------------	--------------------------------

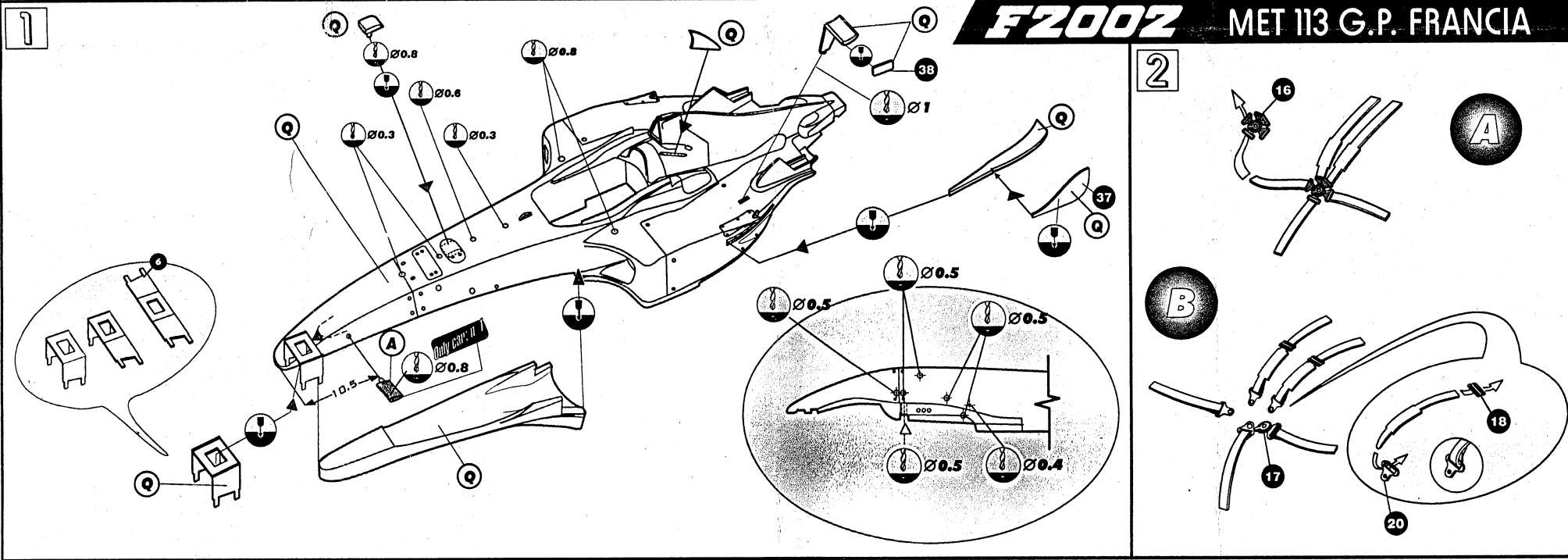
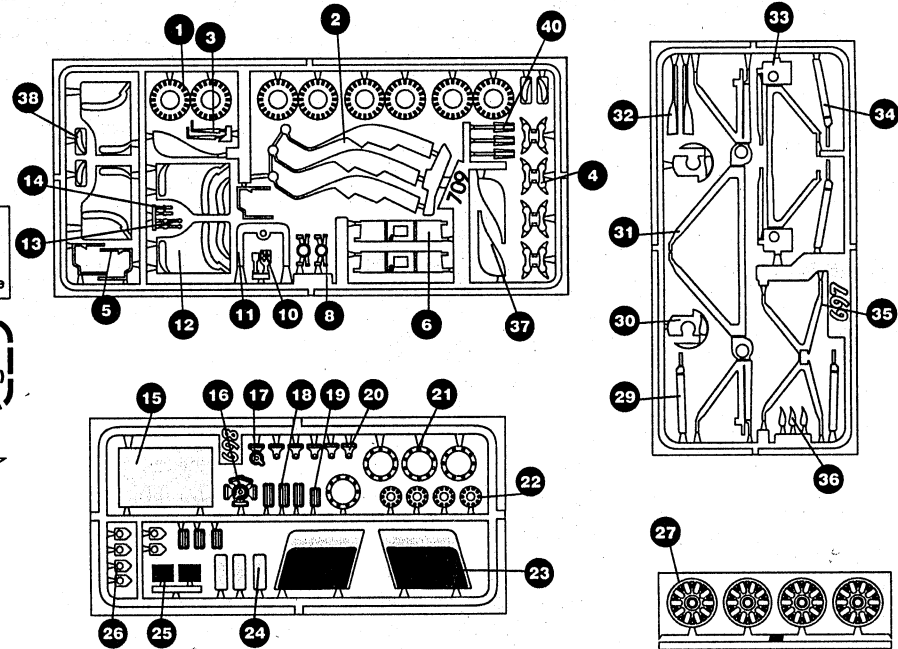
Tamiya colours (Testor colours)

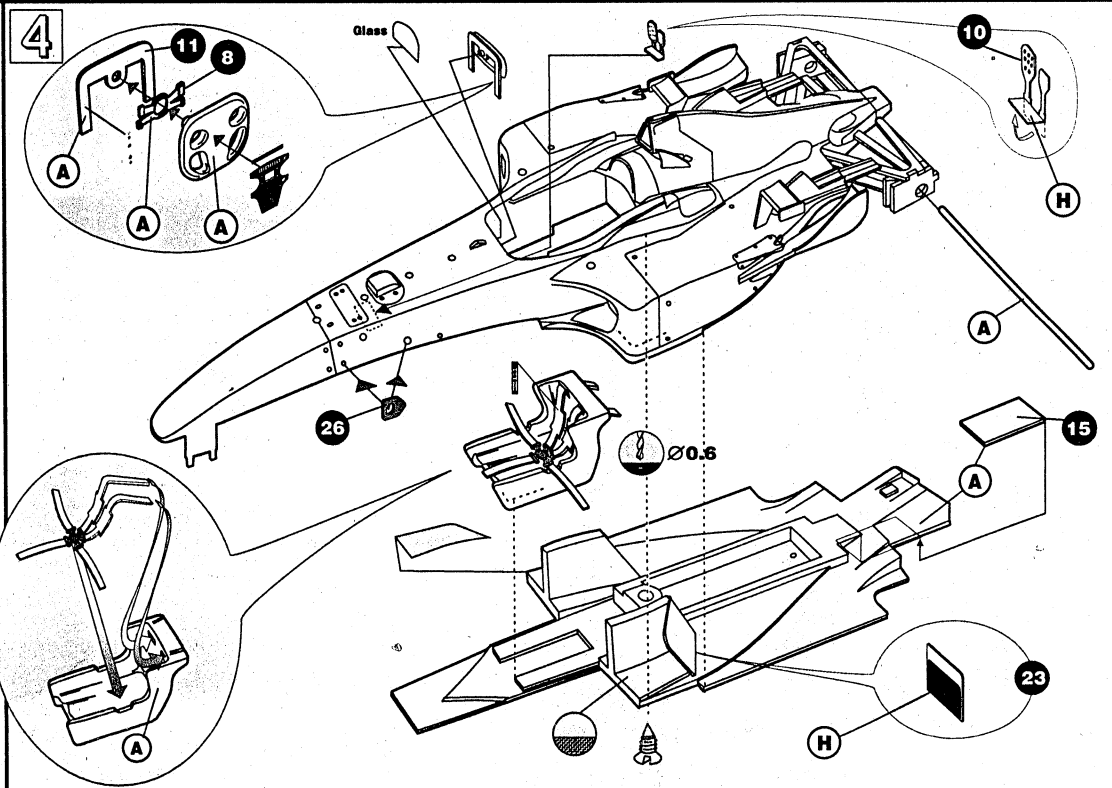
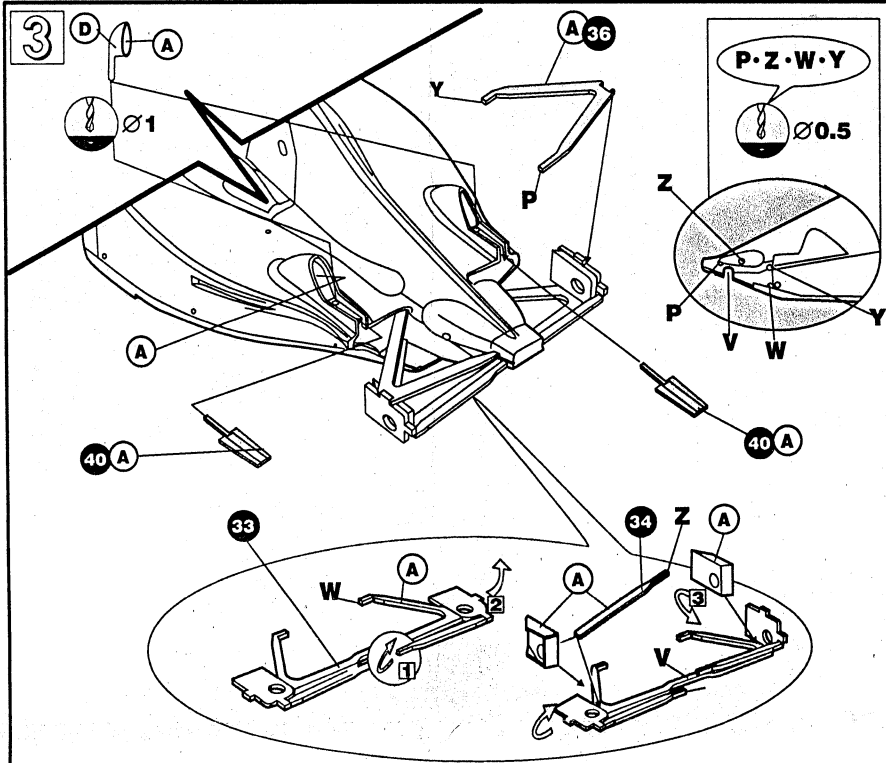


• USED CARBON FIBRE DECALS
• UTILISEZ LES DÉCALQUES EN FIBRE DE CARBONNE
• ENUTZEN SIE CARBON ABZIEHBILDER
• APPLICARE DECAL FIBRA DI CARBONIO

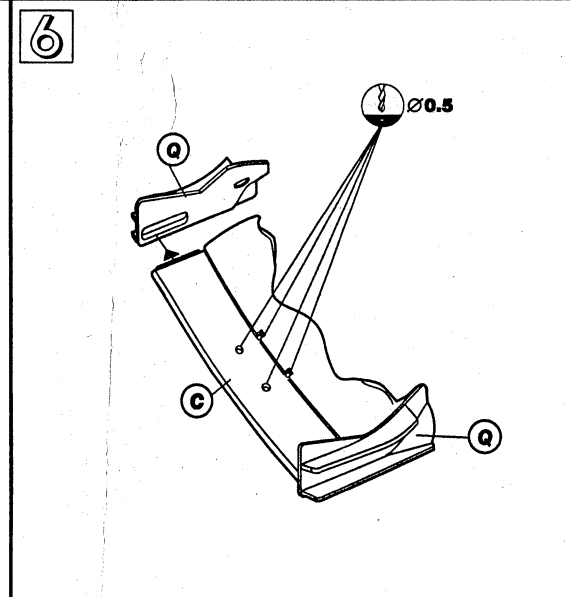
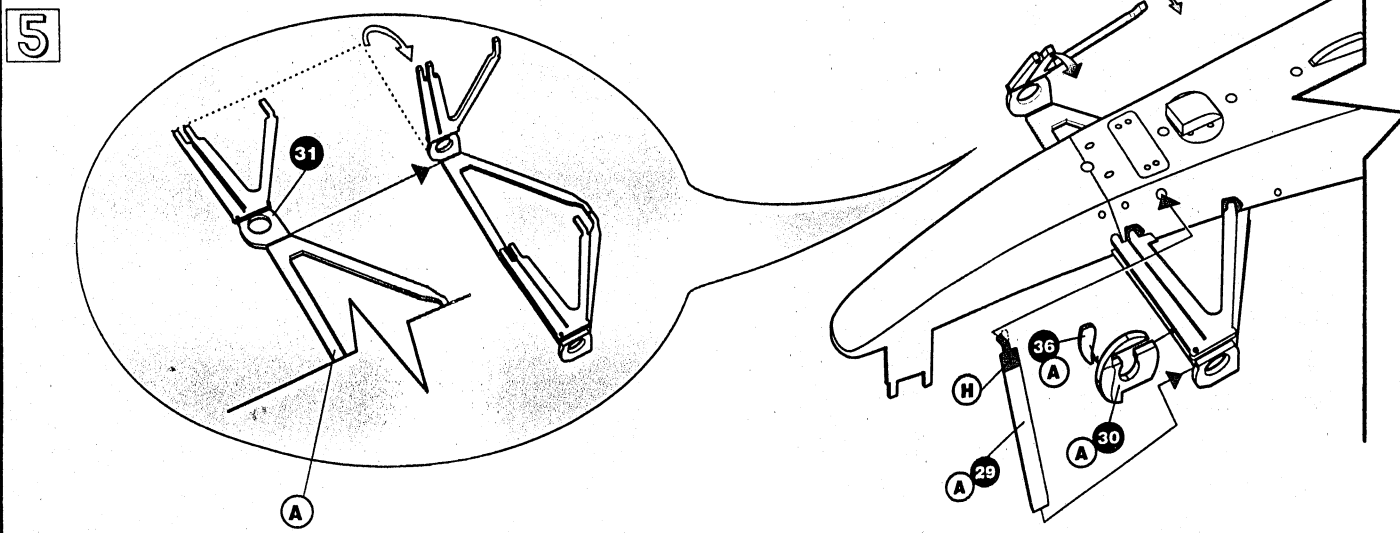
• DRILL OR PIERCE
• PERCER
• BOHREN
• FORARE

• TO BE ASSEMBLED BEFORE PAINTING
• MONTER AVANT DE PEINDRE
• BAUEN BEVOR BEMALUNG
• ASSEMBLARE PRIMA DI VERNICIARE



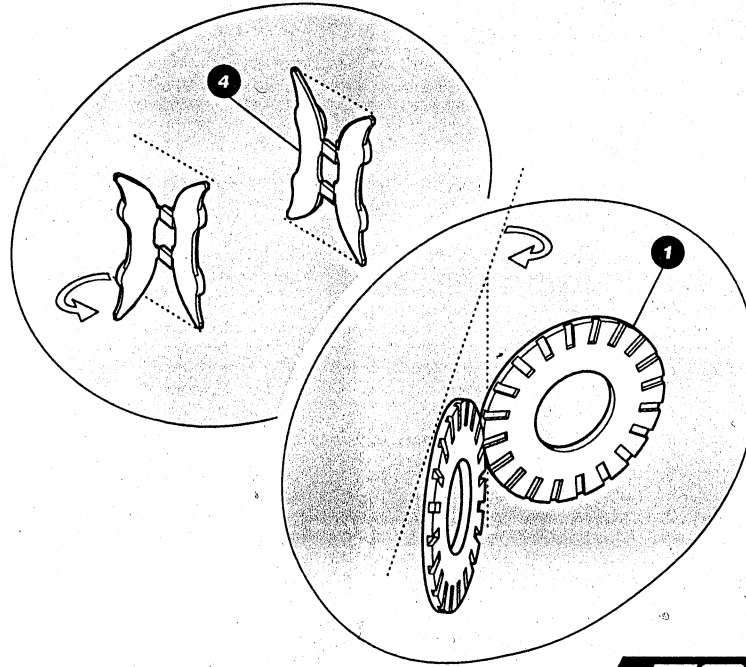
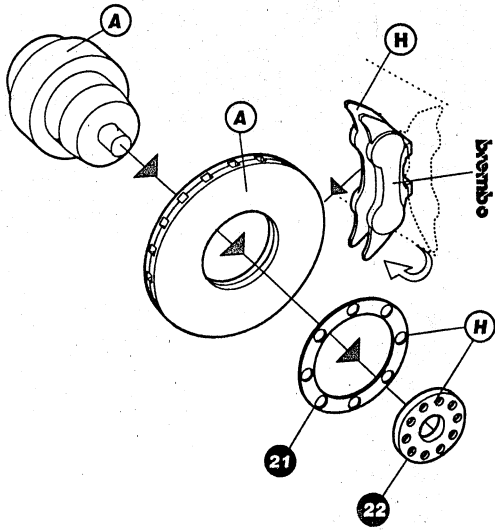


F2002 MET 113 G.P. FRANCIA

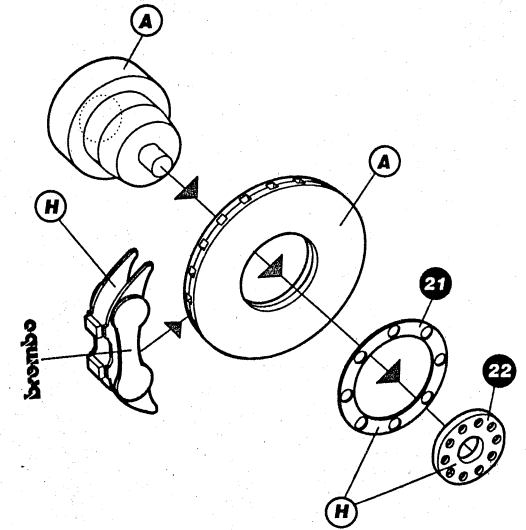


7

Front side

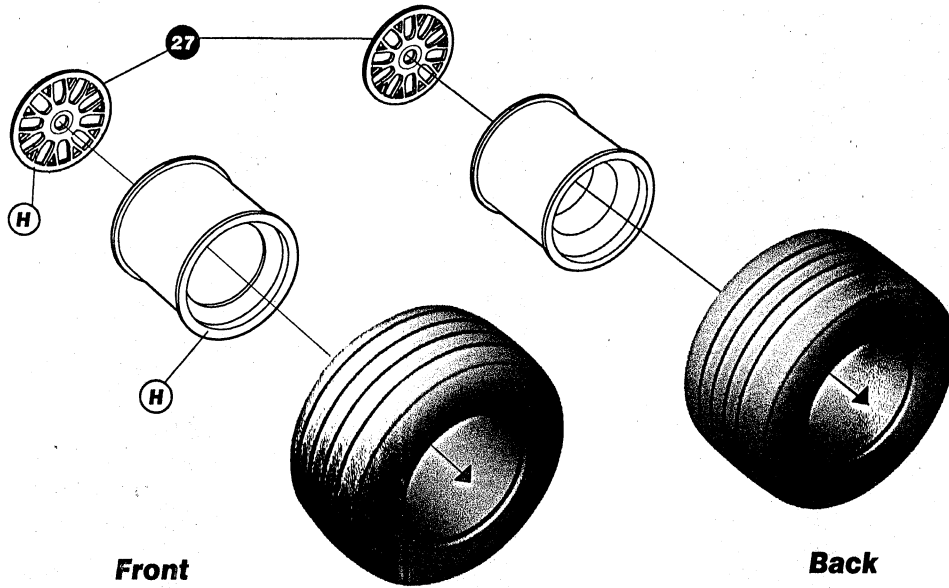


Back side



F2002 MET 113 G.P. FRANCIA

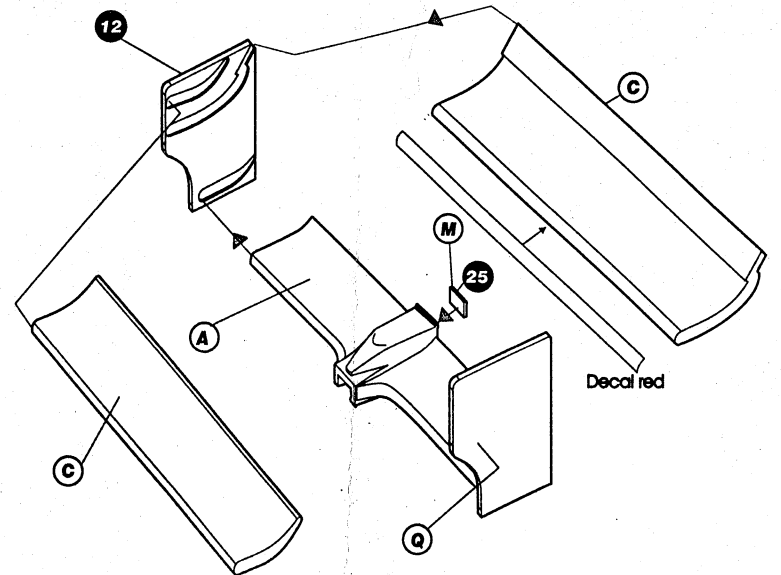
8



Front

Back

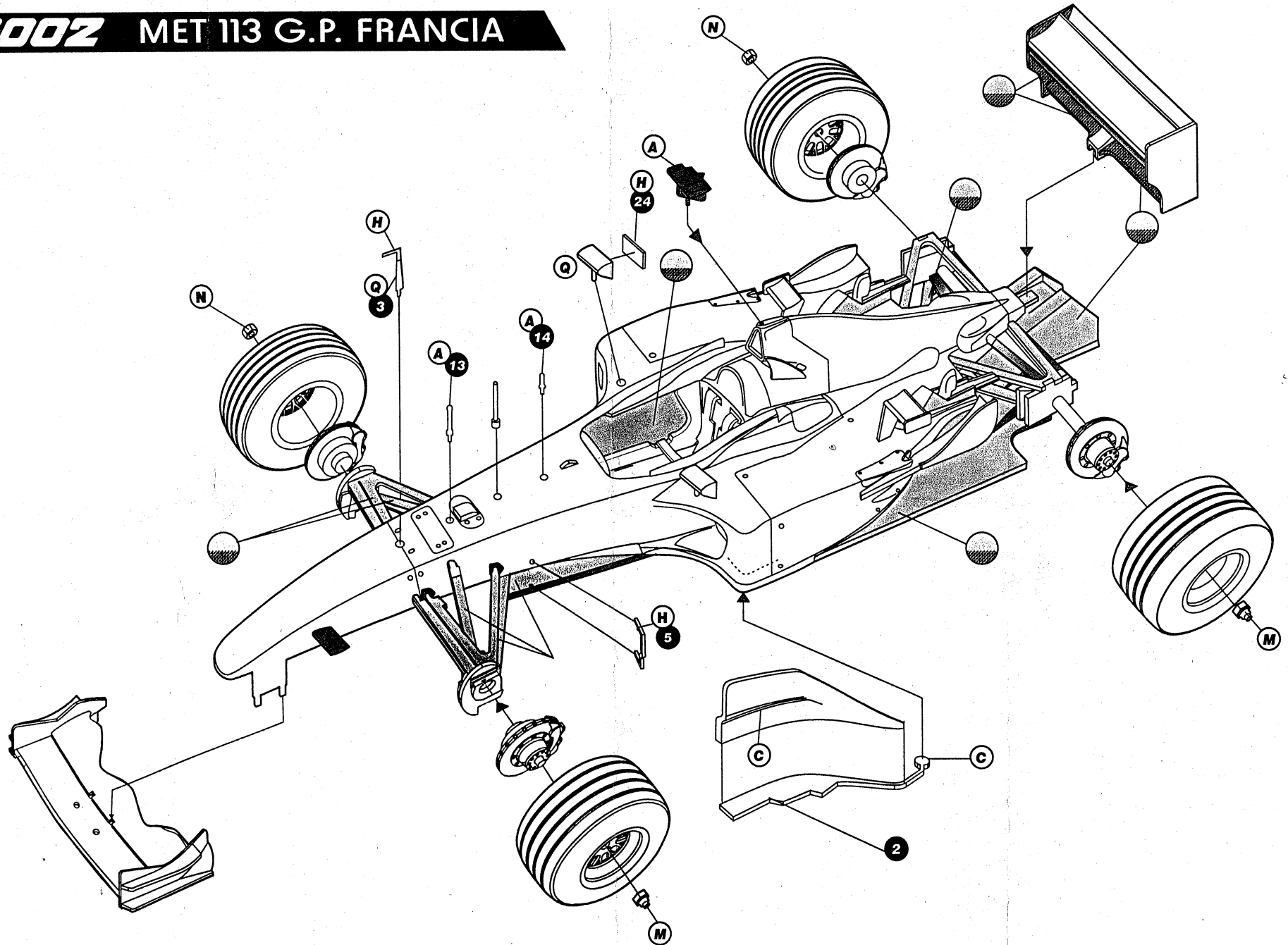
9



Decal red

F2002 MET 113 G.P. FRANCIA

10



F2002

Ferrari
OFFICIAL LICENSED PRODUCT

