









RACCOON

Super Armored Fighting Suit R

S.F.3.D

ORIGINAL

 Do not cement together. Nicht Kleben. Ne Pas coller. 接着しない	 cement parts together. Kleben. coller 接着する	 Alternative part(s) Provided. Auswahligkeit choix. 選択	 Repeat this operation Vorgang wiederholeh Répéter l'opération 繰返す。
 Cut away Schneiden Couper 切る	 Assemble firmly and carefully. METALL ISCHER PART 金属ハーツのマーク	 Use cement sparingly DURCHS ICHPIG PART 透明ハーツのマーク	 Cut wires as shown VINYL PART ビニールコードのマーク

BEFORE ASSEMBLING

- Follow the instructions carefully.
- Cut off the parts from the stem with a nipper or cutter.
- When using adhesive, apply it on both parts to be cemented. Please take care not to apply too much adhesive.
- Pay attention to proper fitting of each parts using cello tape before cementing the parts.

組み立て、塗装時の注意。

- 説明書をよくみて、指示に従って組み立ててください。
- 部品をランナーから切りはなす時は、ニッパー又は、模型用ハサミを使って下さい。
- 接着剤は組み立てる部品の両方に少しずつぬって接着して下さい。
- 火の近くでの接着剤や塗料の使用はさけて下さい。

a MOLD PARTS LIST 1-31

a1.....	ARMORED BODY
a2.....	ARMORED BODY
a3.....	COCKPIT
a4.....	MOVABLE PARTS
a5.....	MOVABLE PARTS
a6.....	SHOULDER ARM UNIT
a7.....	SHOULDER ARM UNIT
a8.....	SHOULDER ARM UNIT
a9.....	SHOULDER ARM UNIT
a10.....	SHOULDER JOINT
a11.....	JOINT
a12.....	ANKLE JOINT
a13.....	U-RING
a14.....	POWER MOUNT
a15.....	ONE'S SIDE COVER
a16.....	HATCH OPEN UNIT
a17.....	EXHAUST PIPE
a18.....	HEAD UP DISPLAY
a19.....	WAIST JOINT
a20.....	WAIST JOINT
a21.....	WAIST STOPPER
a22.....	ELBOW JOINT
a23.....	ELBOW JOINT
a24.....	KNEE JOINT

a25.....	KNEE JOINT
a26.....	ELBOW JOINT
a27.....	ELBOW JOINT
a28.....	MANIPULATOR HAND
a29.....	HEAD COCKPIT
a30.....	ANKLE JOINT
a31.....	ANKLE JOINT

b MOLD PARTS LIST 1-18

b1.....	MAINTENANCE HATCH
b2.....	ELBOW COVER
b3.....	ARMORED GREAVES
b4.....	ARMORED GREAVES
b5.....	ARMORED GREAVES
b6.....	ARMORED GREAVES
b7.....	PERI SCOPE
b8.....	FOOT POWER MOUNT
b9.....	ARMORED SOLE
b10.....	ARMORED SOLE
b11.....	ARMORED THIGH
b12.....	ARMORED THIGH
b13.....	ARMORED THIGH
b14.....	ARMORED THIGH
b15.....	ARMORED FOOT
b16.....	ARMORED FOOT

b17.....	ARMORED FOOT
b18.....	ARMORED FOOT

c MOLD PARTS LIST 1-30

c1.....	WAIST PAD
c2.....	WAIST PAD
c3.....	SENSOR POTD
c4.....	SENSOR POTD
c5.....	HL377G ENGINE
c6.....	ARMORED HATCH
c7.....	ENGINE UNIT
c8.....	ELBOW COVER
c9.....	ELBOW COVER
c10.....	SHOULDER PAD
c11.....	SHOULDER PAD
c12.....	EXHAUST SILENSER
c13.....	EXHAUST SILENSER
c14.....	SENSOR POTD UNIT
c15.....	EXHAUST PIPE
c16.....	TAIL WARNING RADAR
c17.....	SENSOR POTD UNIT
c18.....	POWER MANIPULATOR
c19.....	STRENGTH ARMOR
c20.....	STRENGTH ARMOR
c21.....	IR OPTICAL SEEKER UNIT

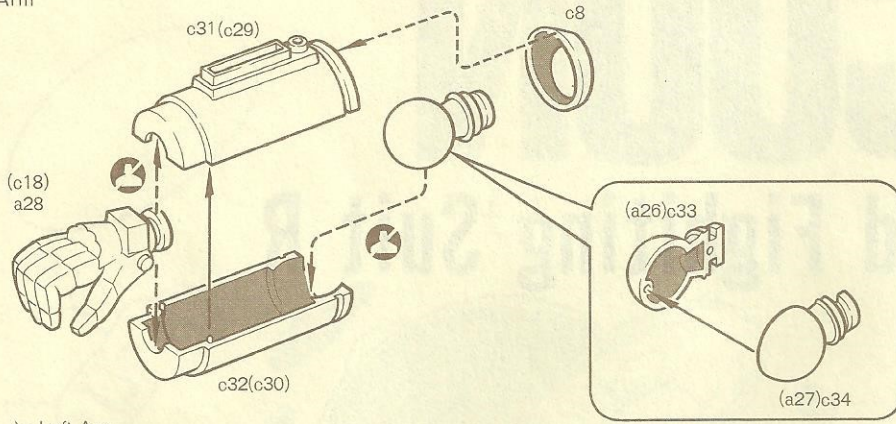
c22.....	IR OPTICAL SEEKER UNIT
c23.....	KNEE PAD
c24.....	KNEE PAD
c25.....	MANIPULATOR CONTROLLER UNIT
c26.....	MANIPULATOR CONTROLLER UNIT
c27.....	MANIPULATOR CONTROLLER UNIT
c28.....	MANIPULATOR CONTROLLER UNIT
c29.....	MANIPULATOR CONTROLLER
c30.....	MANIPULATOR CONTROLLER
c31.....	MANIPULATOR CONTROLLER
c32.....	MANIPULATOR CONTROLLER
WIRE.....	46
COPPER WIRE.....	2
SPRING A.....	2
SPRING C.....	2
ANTENNA.....	1
FIGURE.....	1
PIPE.....	1

■部品及びデカールを紛失したり、破損した場合は実費でおわけいたします。
料金及び送料については、当社サービス係までお問い合わせ下さい。
硝日東科学

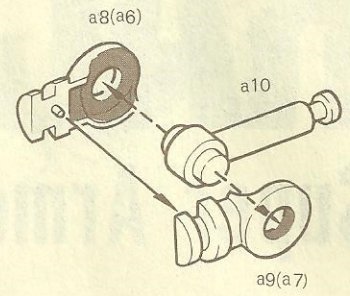
〒133 東京都江戸川区本一色13 **NITTO**

1

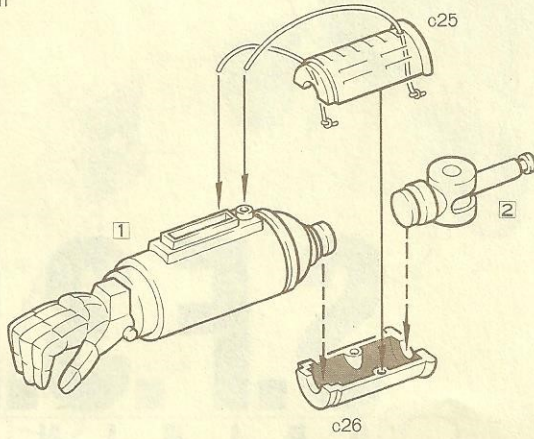
Right Arm



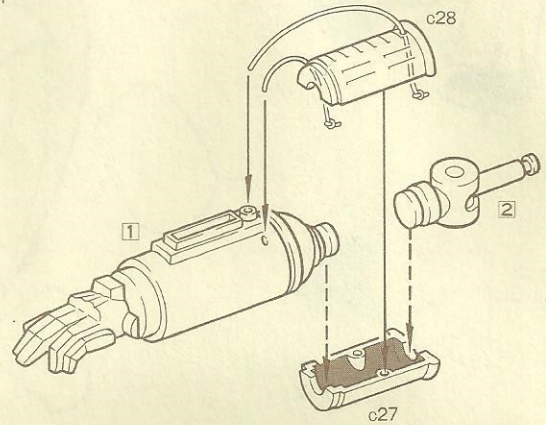
★()=Left Arm

2**x2****3**

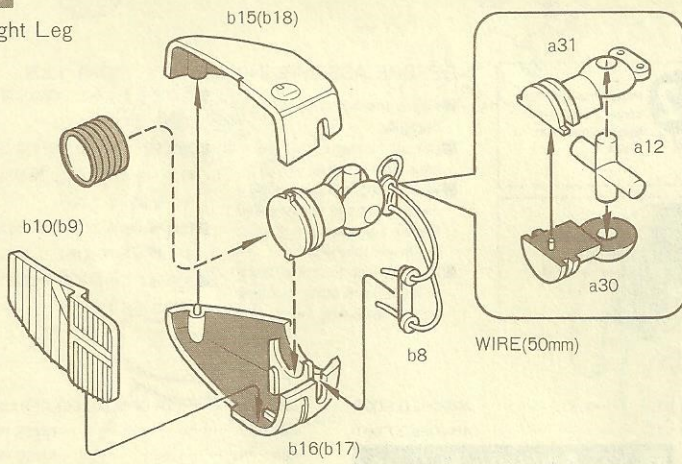
Right Arm

**4**

Left Arm

**5**

Right Leg

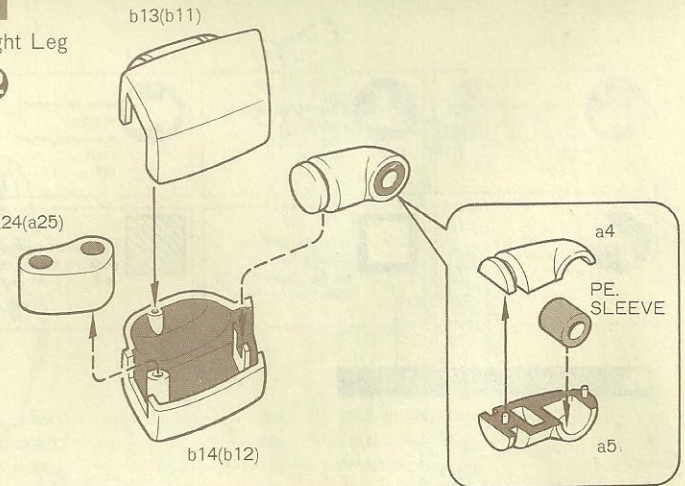


★()=Left Leg

ゴムチューブを5mmにカットし使います。

6

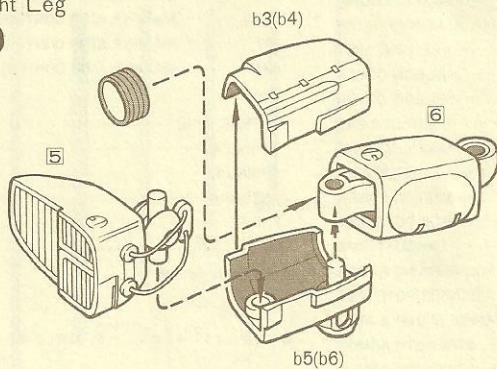
Right Leg

x2

★()=Left Leg

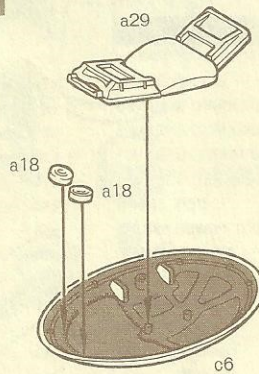
7

Right Leg

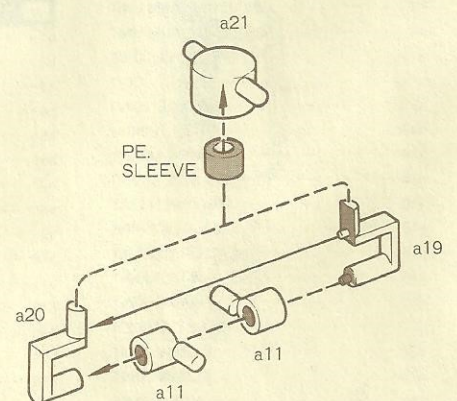
x2

★()=Left Leg

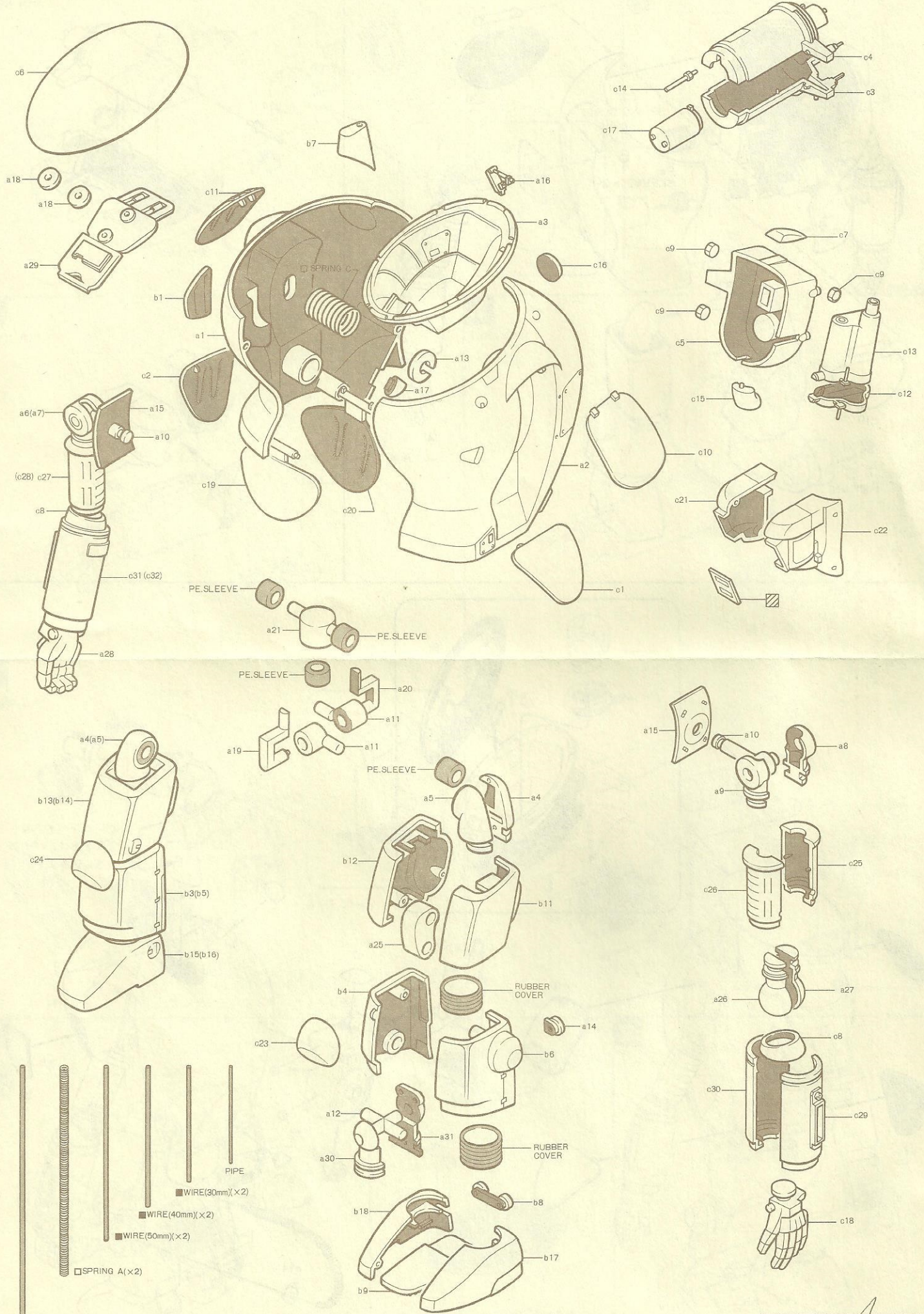
ゴムチューブを4mmにカットし使います。

8

フィギュアを乗せてHATCHを閉じる場合は、a29・a18は取りつけません。

9

PARTS LIST S.A.F.S.R



Technical-illustration.....ASK

Checked by *Arup* Gruppenkommandeur.