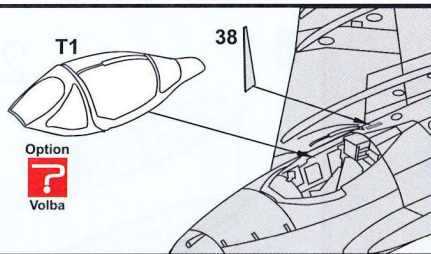
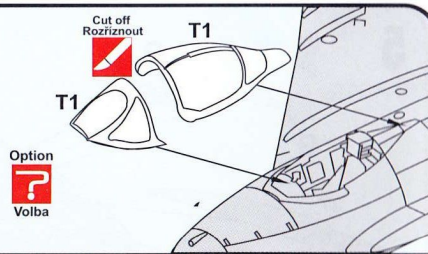


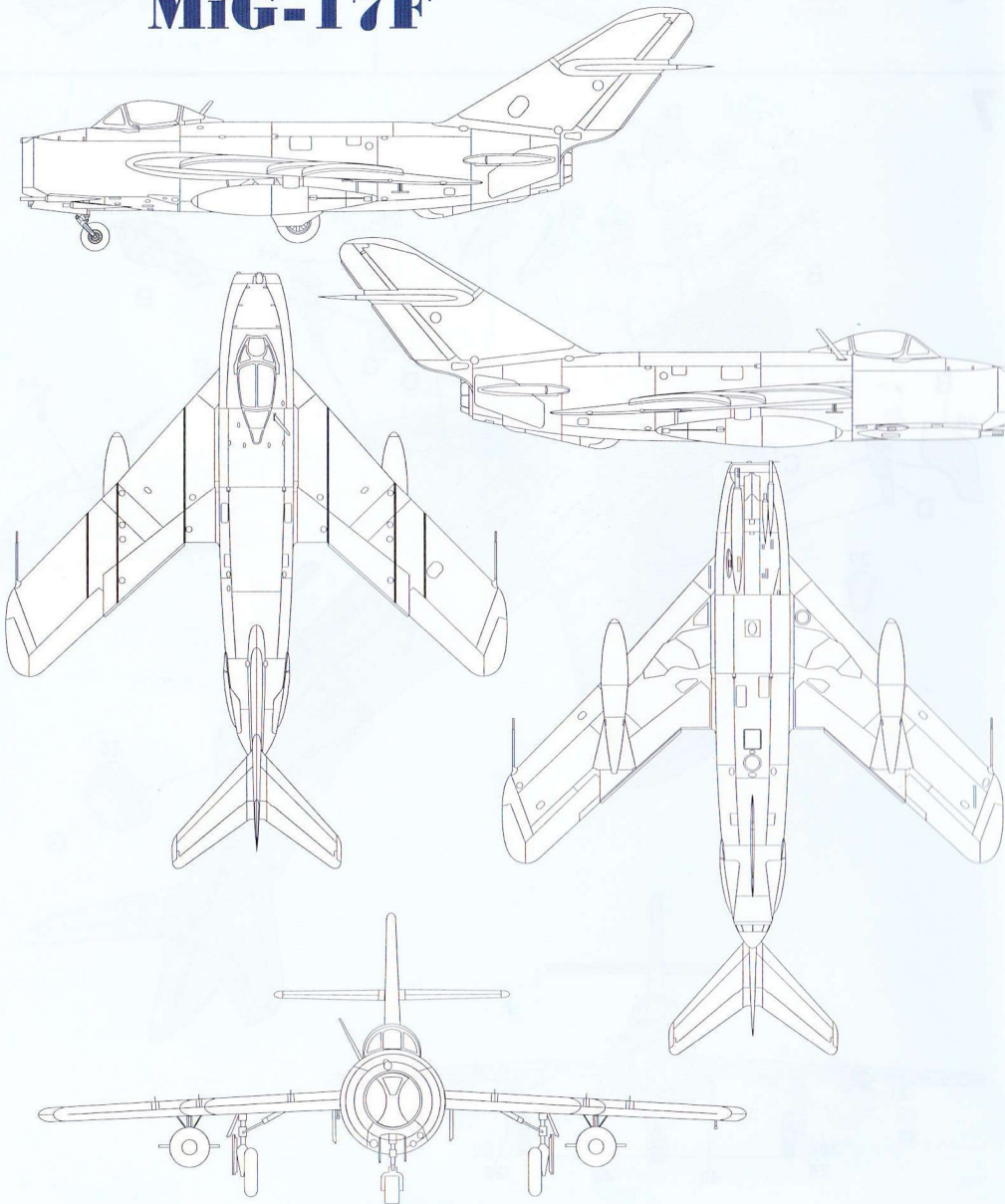
8

Option
Volba

9

Option
Volba

MiG-17F


AZ model
Plastic kits

 Plastic model
scale 1/72

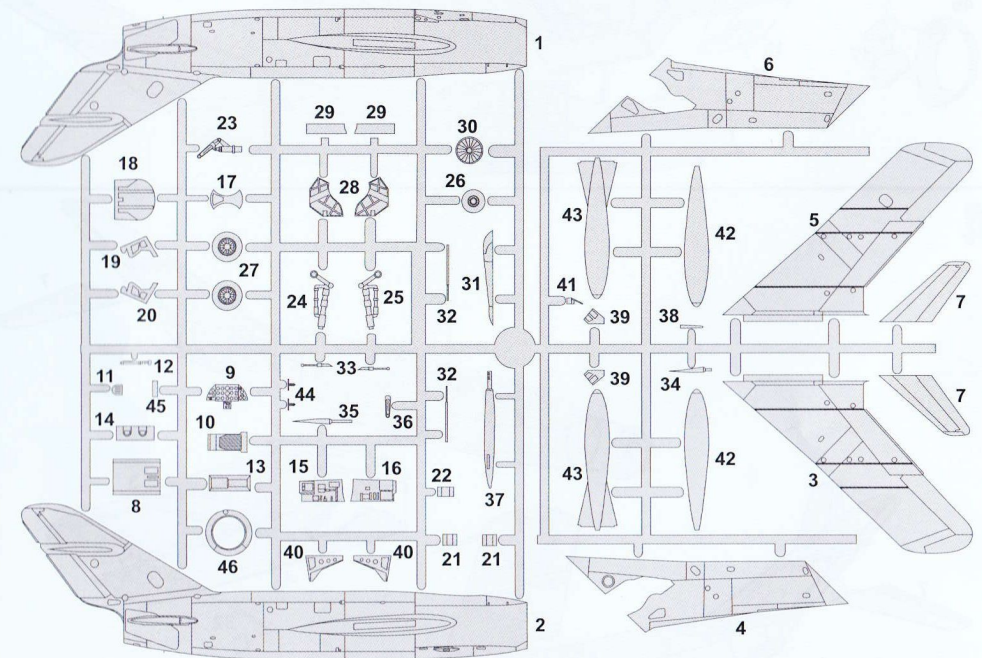
Mikoyan-Gurevich MiG-17F

History in brief



The Mikoyan-Gurevich MiG-17, NATO reporting name: Fresco, China: Shenyang J-5, Poland: PZL-Mielec Lim-5. Is a high-subsonic fighter aircraft produced in the USSR from 1952 and operated by numerous air forces in many variants. It is an advanced development of the very similar appearing MiG-15 of the Korean War.

The MiG-17 first saw combat in 1958 over the Straits of Taiwan and was used as an effective threat against supersonic fighters of the United States in the Vietnam War. It was also briefly known as the "Type 38, by U.S. Air Force designation prior to the development of NATO codes.

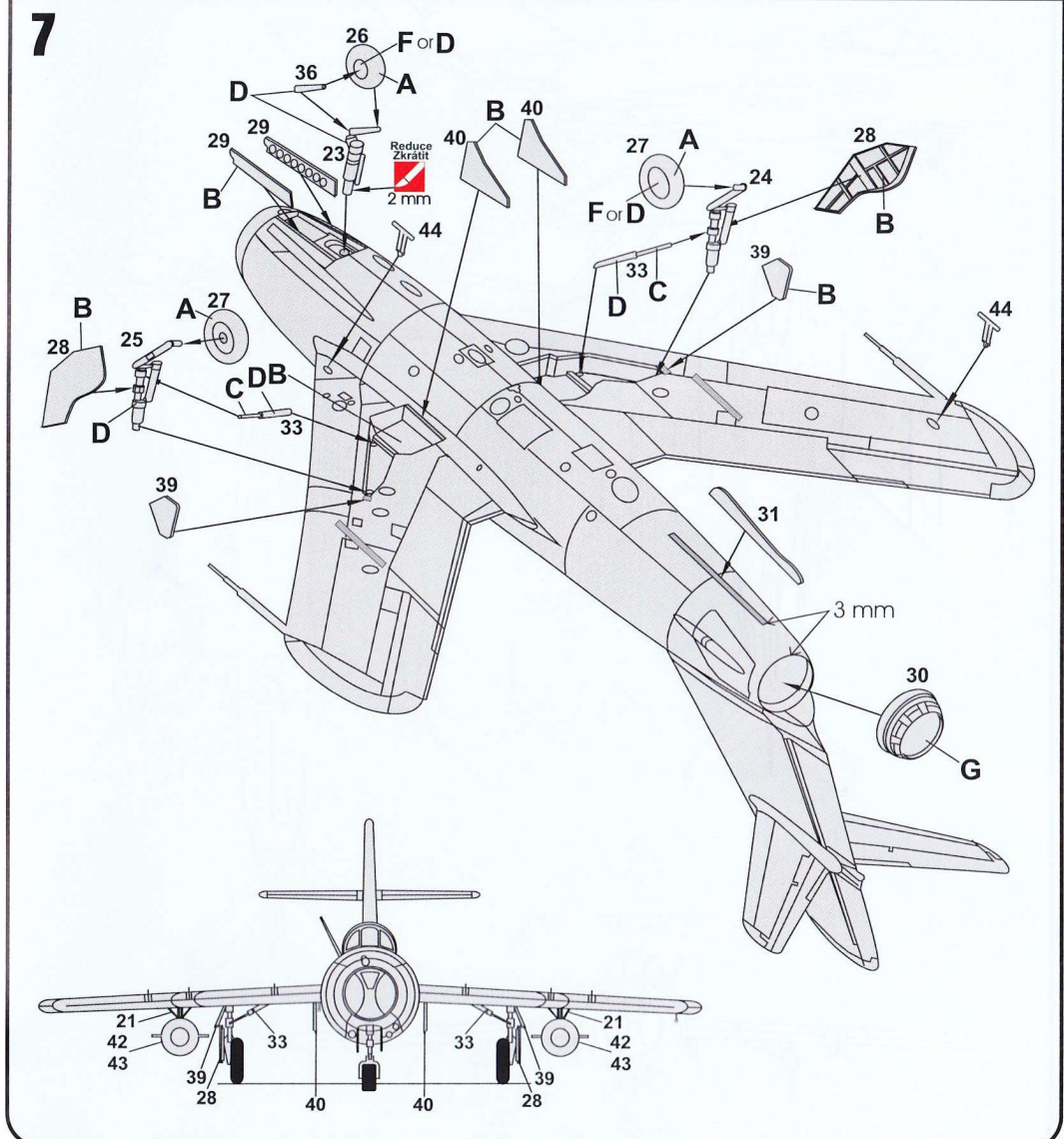
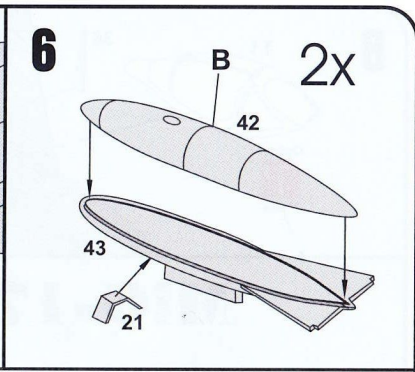
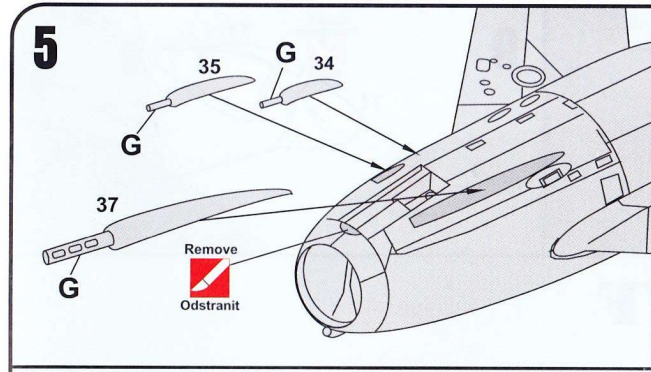
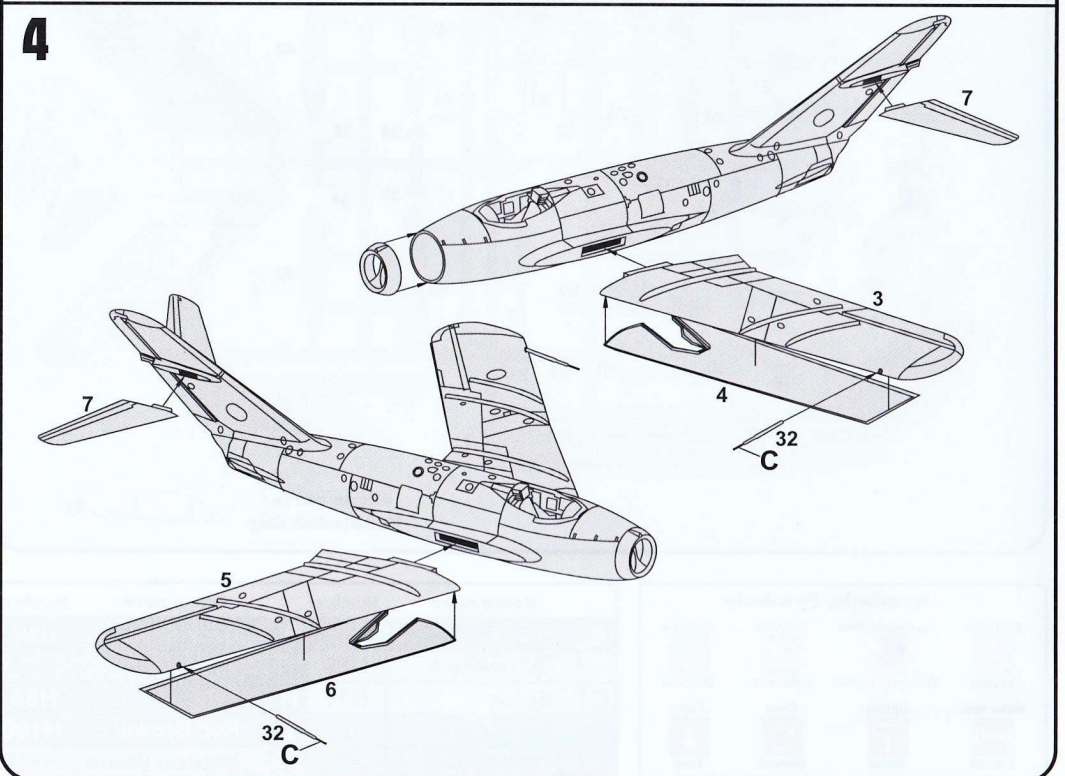
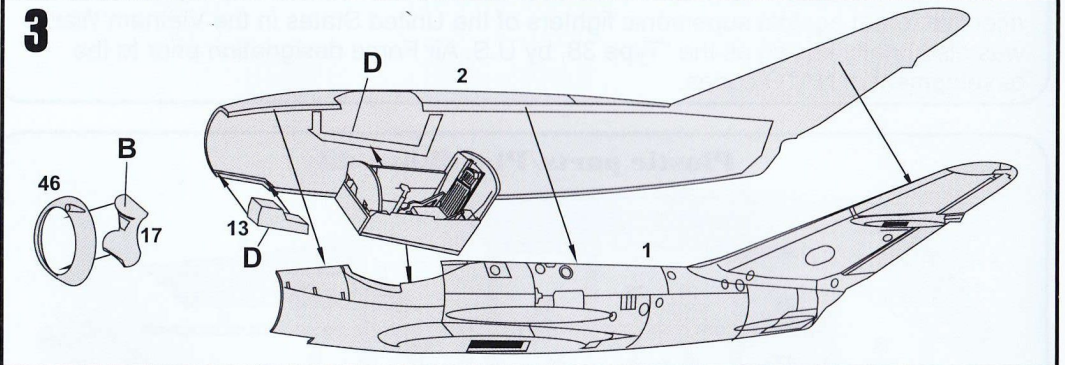
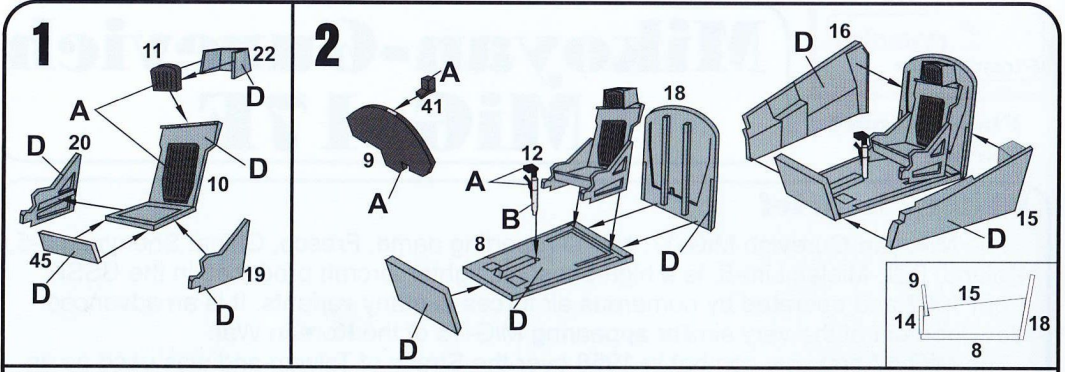
Plastic parts/Plastikové díly


 Clear parts/
Průhledné díly
  T1

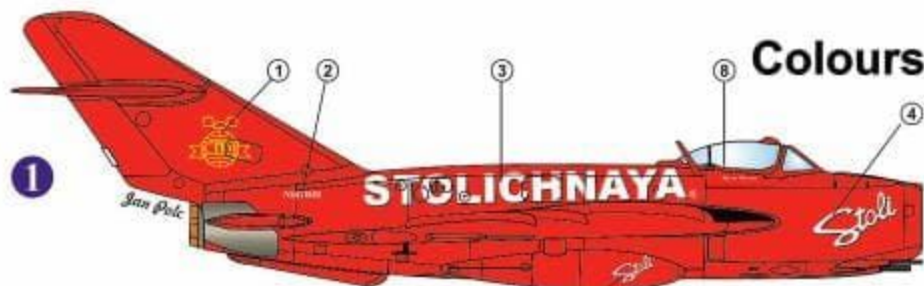
Symbols/Symboly

 Drill hole Vyvrtat	 Cyanoacrylate Vteřinové lepidlo	 Remove Odstranit	 Reduce Zbrousit
 Make new Vyrobit	 Option Volba	 Bend Ohnout	 Putty Tmel

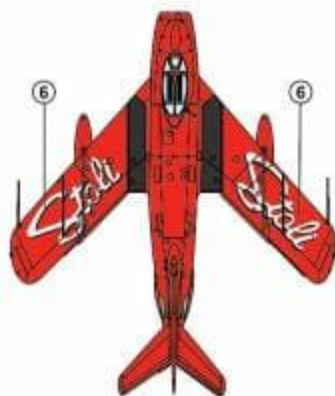
	Colour name	Humbrol	Colour name	Humbrol
A	Black	H33	F Deck Green	H88
B	Aluminium	H56	G Gunmetal	H53
C	Silver	H11	H Tyre	H85
D	Sea Grey	H27	I Red Brown	H100
E	Dark Brown	H29	J Natural Wood	H110



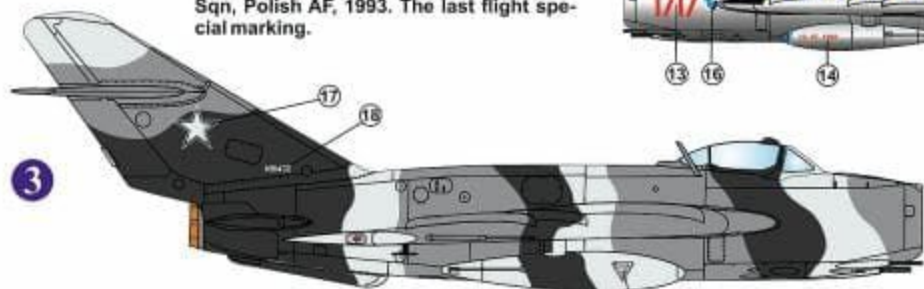
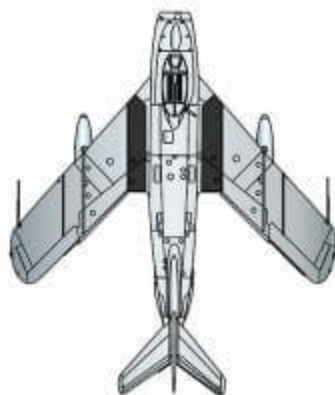
Colours & Markings



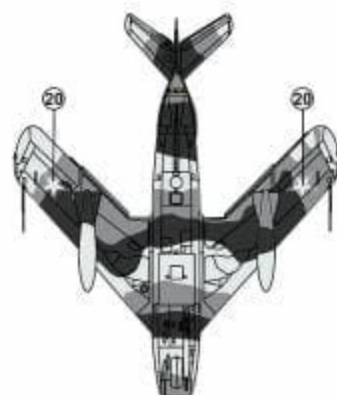
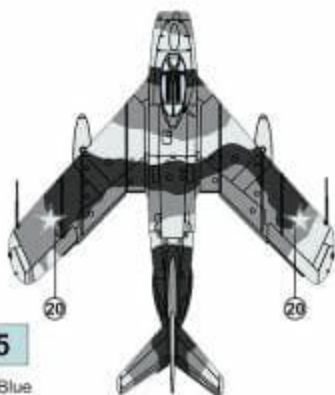
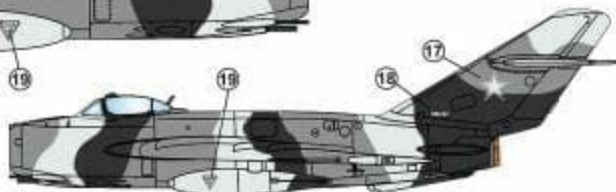
MIG-17 (Lim-5), N117RH, flown by Randy Howell, based in United States, used for aerobatics exhibitions.



MIG-17 (Lim-5), 1717, 45th Experimental Sqn, Polish AF, 1993. The last flight special marking.



MIG-17 (Lim-5), N9341Z, „Black Diamonds” aerobatics team, 2012, various air shows, United States



Paints used:

HUMBROL

56

Aluminium

147

Light Grey

27

Grey

33

Black

19

Red

109

Blue

89

Mid Blue

65

Light Blue