



Soviet 2B7 Multiple Rocket Launcher BM-13 NM

苏联BM-13NM火箭炮

READ BEFORE ASSEMBLY:

装配之前仔细阅读

- Study and understand these instructions thoroughly before beginning assembly
- When needed, remove photo-etch parts carefully using a modeling knife or photo etch sprue cutter, being careful not to damage or lose small parts.
- Take extra care in handling photo etch parts in order to avoid injury
- Apply instant cement sparingly to photo etch parts where instructed
- Tools recommended(not included in kit):Plastic and instant cements, sprue cutters,long nose pliers,modeling knife, small files, tweezers, pin vise & scissors. Soft cloth and sandpaper will also assist in construction
- Glue and paint are not included in the kit. Use plastic cement and hobby paints only. Color guide for purchasing paint is included in the kit.

- 小心用模型锉刀锉平所有零件表面的注射浇口。
- 小心用刀片切下蚀刻片零件，不要遗失小零件。
- 用强力快干胶水粘合蚀刻片零件和金属轴。过量快干胶水使用可能导致可动零件会粘住，小心涂胶。
- 取蚀刻片时应特别注意安全，防止利边划伤手指。
- 某些零件表面需贴上水贴纸，请选择在装配的同时进行。
- 推荐模型工具(自备)：胶水，水口剪刀，长咀钳，刀片，锉刀，镊子，钳，钻，剪刀，瞬间快干胶。
- 软布同砂纸同时也是所需工具。
- 请使用塑料胶水和油漆，模型内不含。



使用强力胶
Cyanoacrylate glue



配重
Weight



钻孔
Make hole



切除
Cut / Remove



贴纸
Decal



锉平
File / Sand



选择
Option



不涂胶水
No cement



弯曲
Bend



先装
Install it first



填补
Repair

水贴纸的使用:

- 1.从水贴纸上剪下印花;
- 2.将印花放入温水中浸10秒, 然后放在干净布上。
- 3.拿着印花纸板将印花移到模型上;
- 4.手指蘸水将印花移到适当的位置;
- 5.用软布轻压印花直至水干, 气泡消失

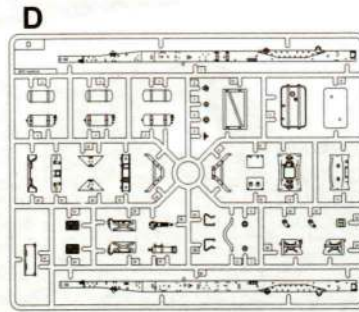
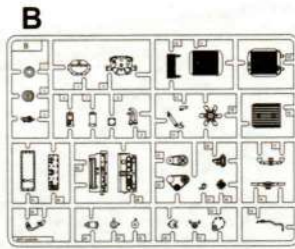
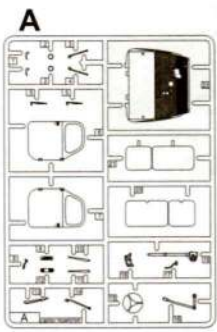
DECAL APPLICATION

- 1.Cut decals from sheet as needed
- 2.Dip the decal in warm water for about 10 seconds and then place on soft clean cloth.
- 3.Hold the decal backing sheet edge and gently slide the decal onto the model in its proper position.

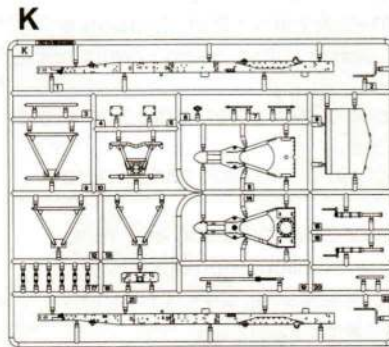
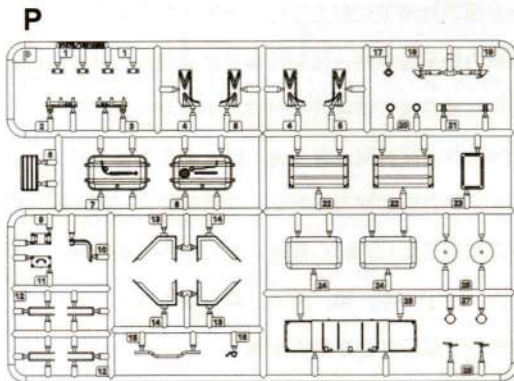
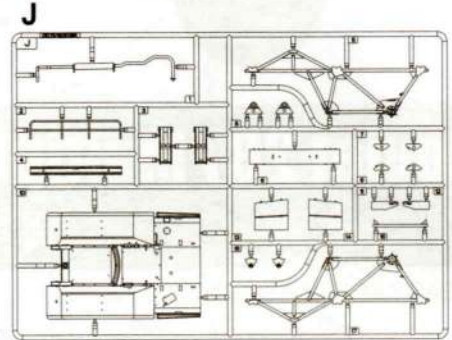
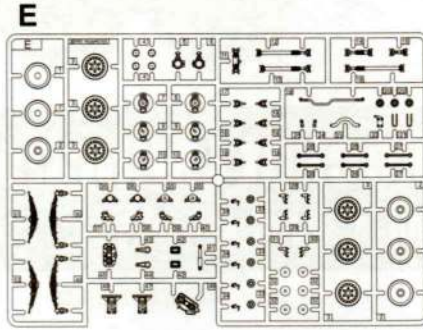
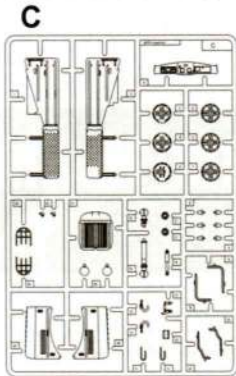
- 4.While still wet,decal can be adjusted for better fit on model by dampening it gently with your finger.
- 5.When placed in the proper position,gently press decal down with a soft cloth until excess water and air bubbles are gone.
- 6.Allow decal to dry completely before handling model

* 说明书中含有重要信息, 应保留。 Please Keep instruction since it contains important information.

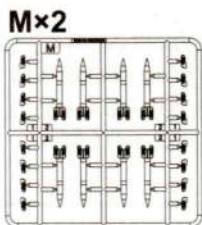
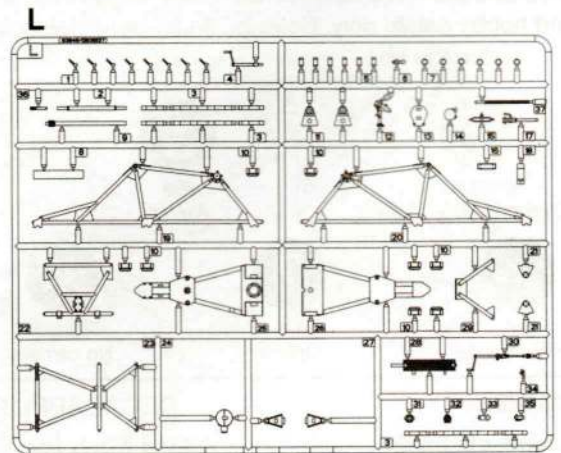
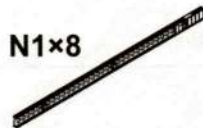
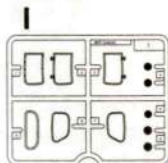
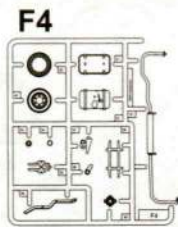
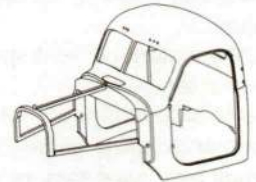
部品图 Parts



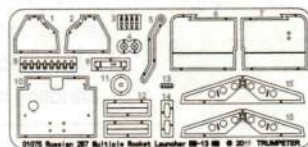
《轮胎》x7
Tyre



《驾驶室》
Cab



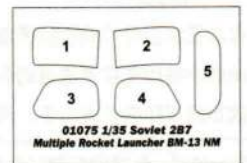
《蚀刻片》
Photo Etched



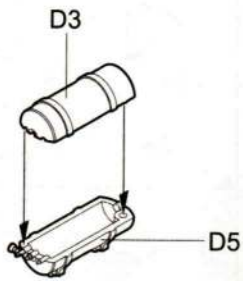
《水贴》
Decal



《遮盖纸》
Die-cut mask

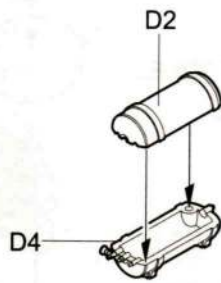


1

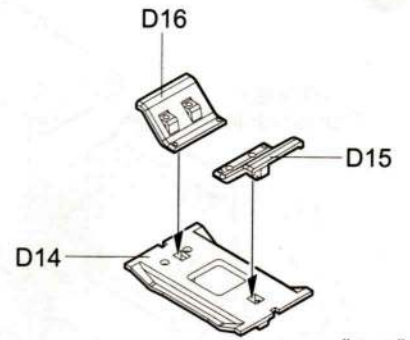


《A-A》

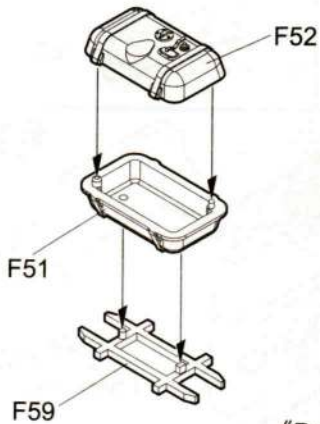
《制作2组》
Make two



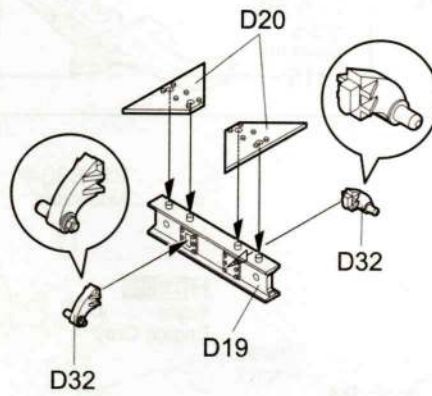
《B-B》



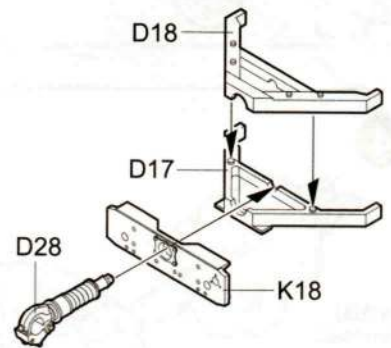
《C-C》



《D-D》

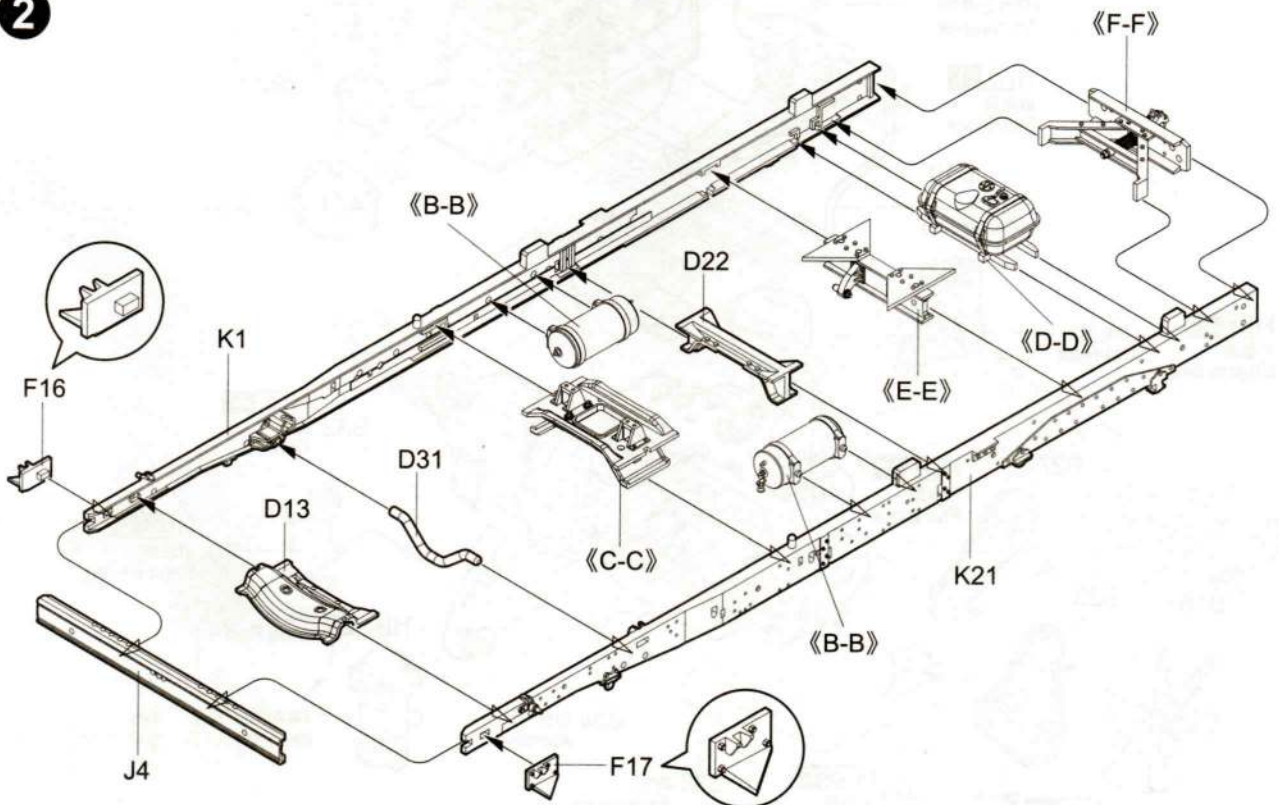


《E-E》

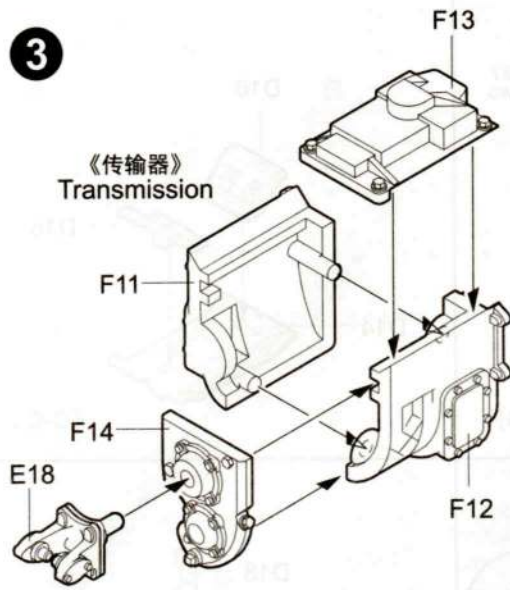


《F-F》

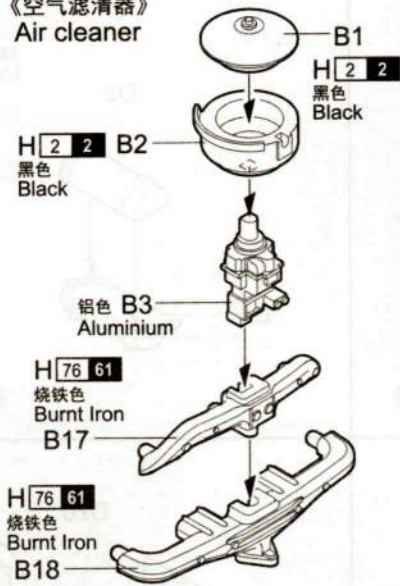
2



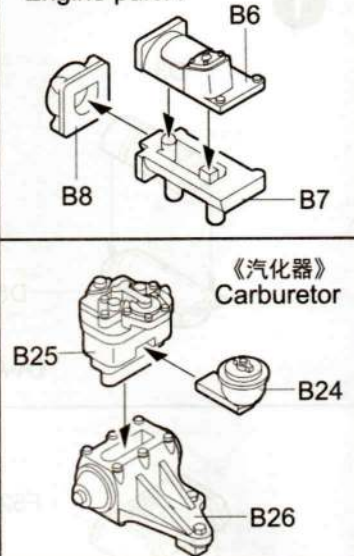
3



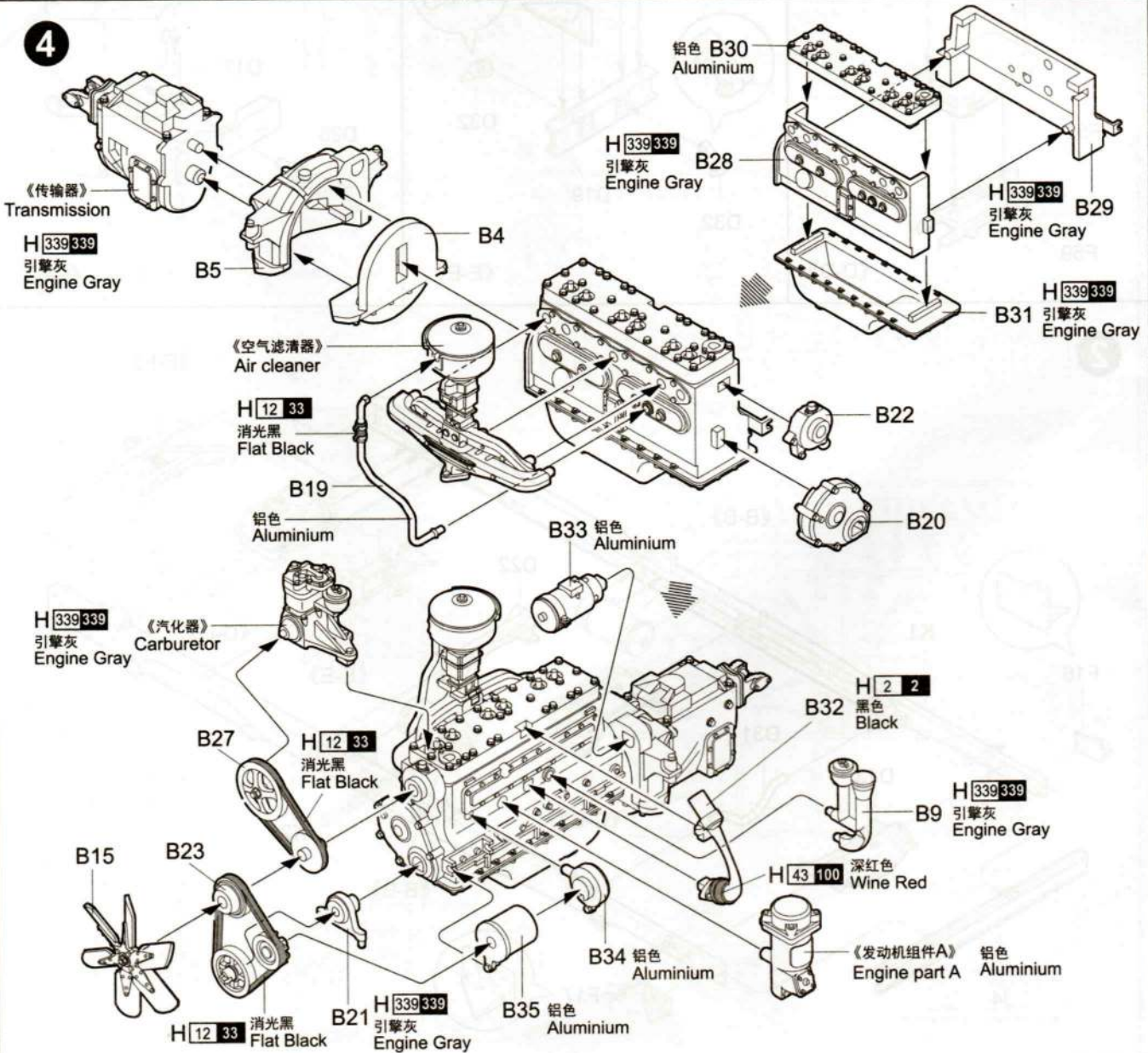
《空气滤清器》
Air cleaner



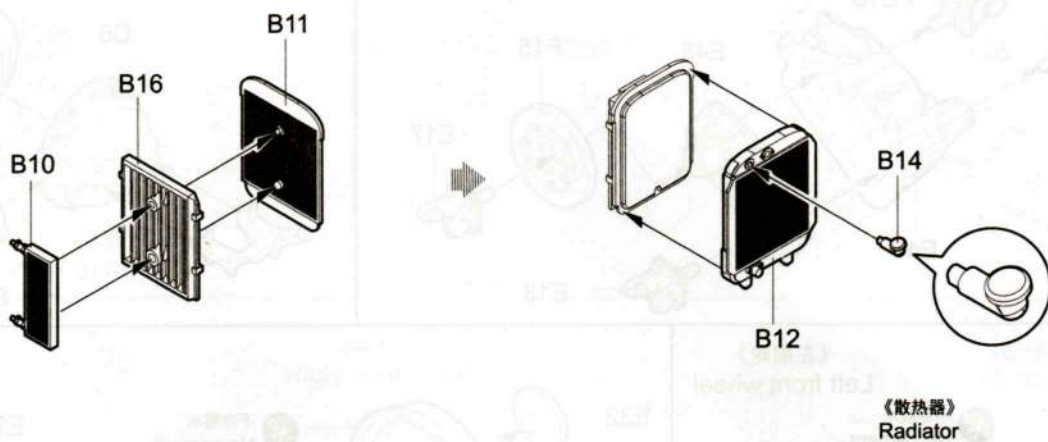
《发动机组件 A》
Engine part A



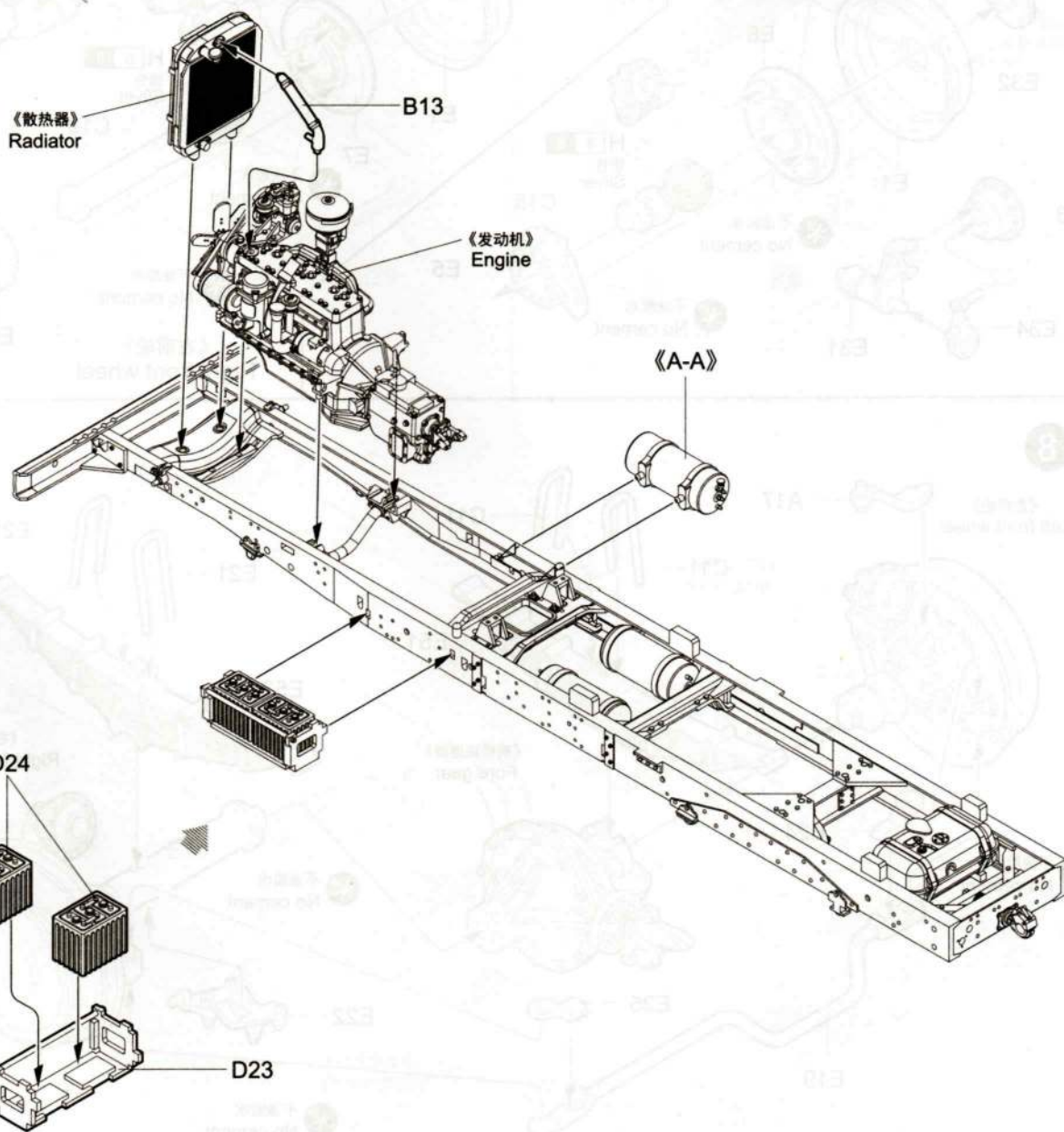
4



5

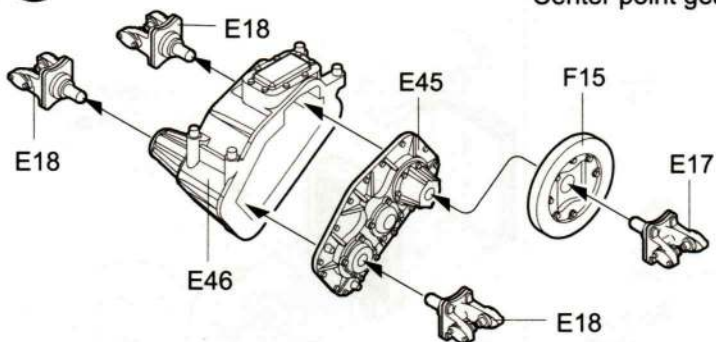


6

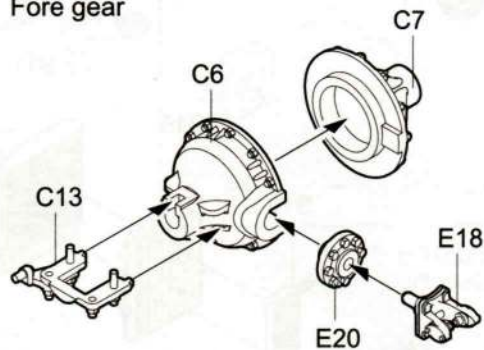


7

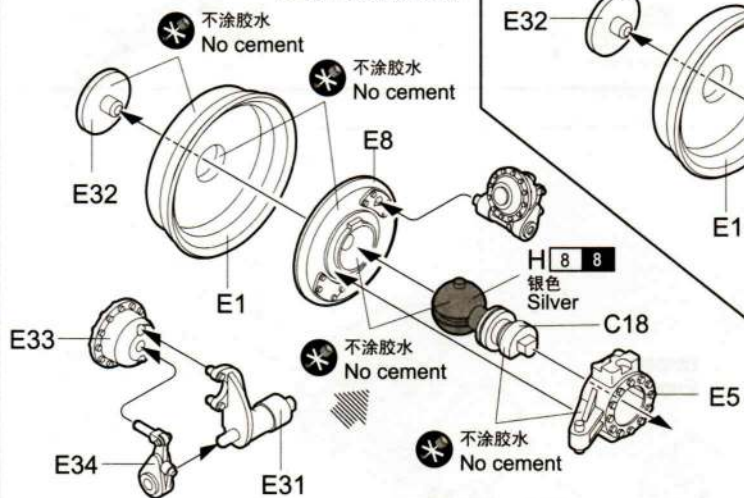
《中桥过桥齿箱》
Center point gear



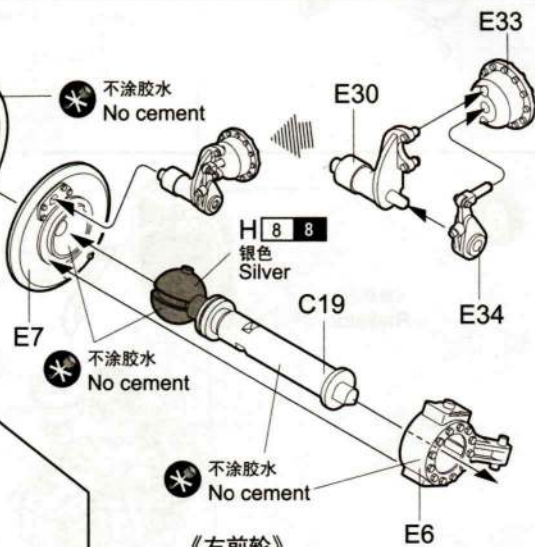
《前桥减速器》
Fore gear



《左前轮》
Left front wheel

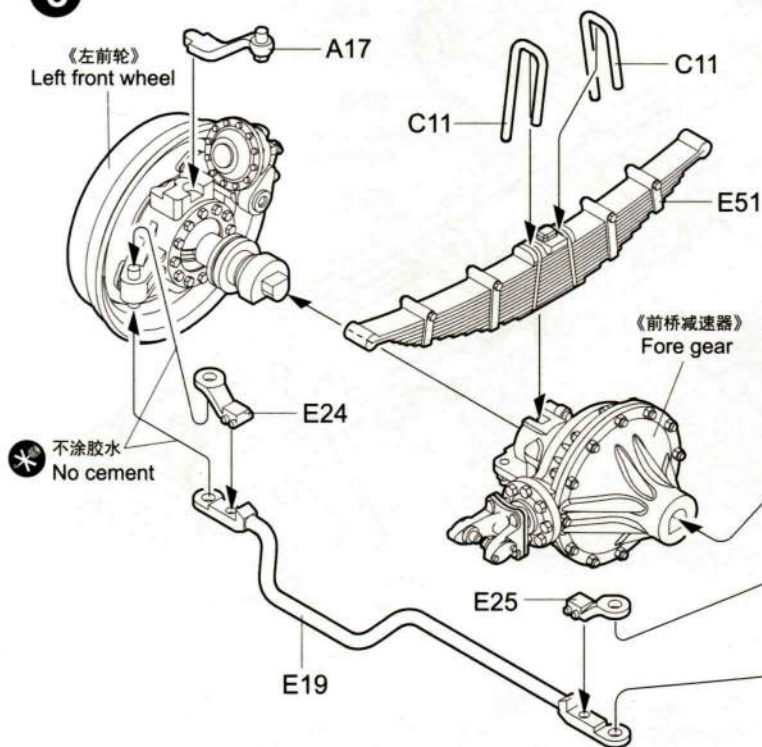


《右前轮》
Right front wheel

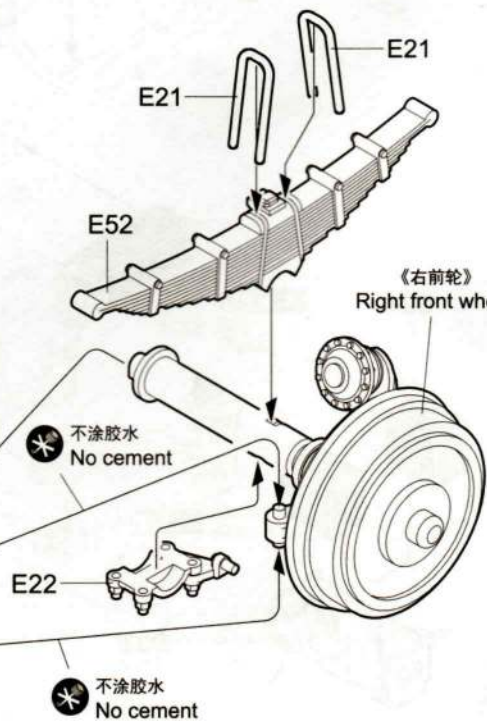


8

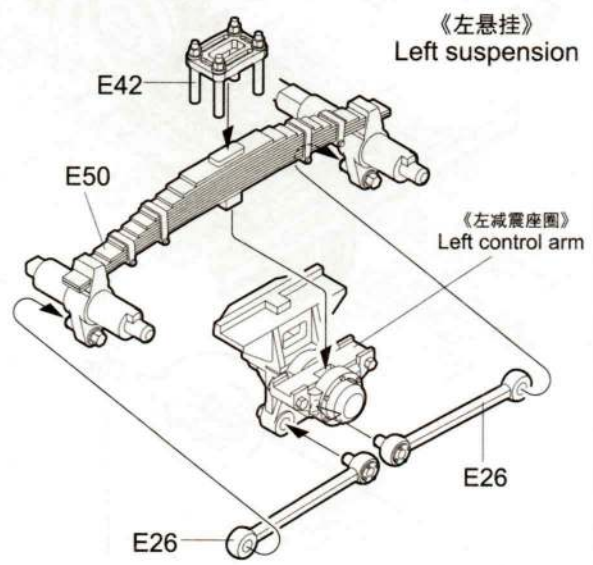
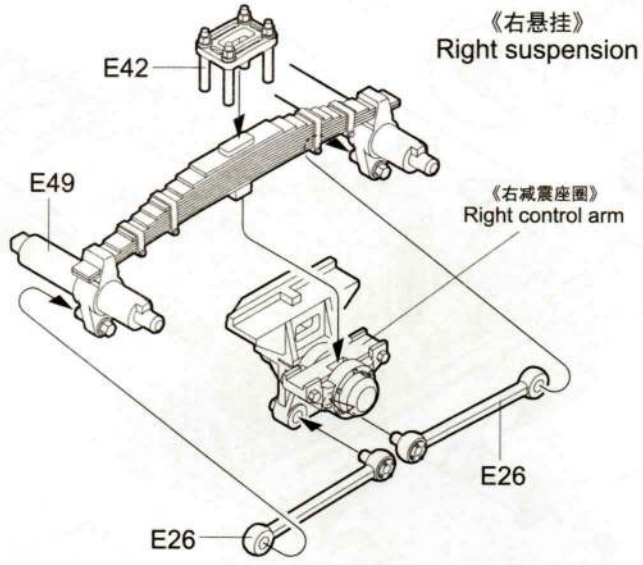
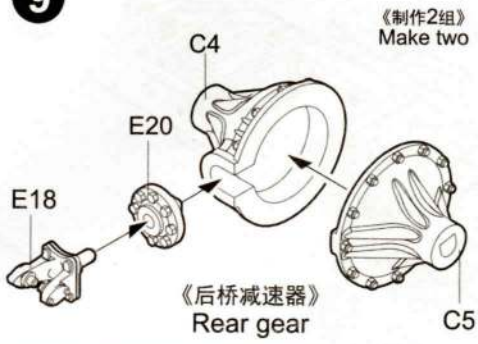
《左前轮》
Left front wheel



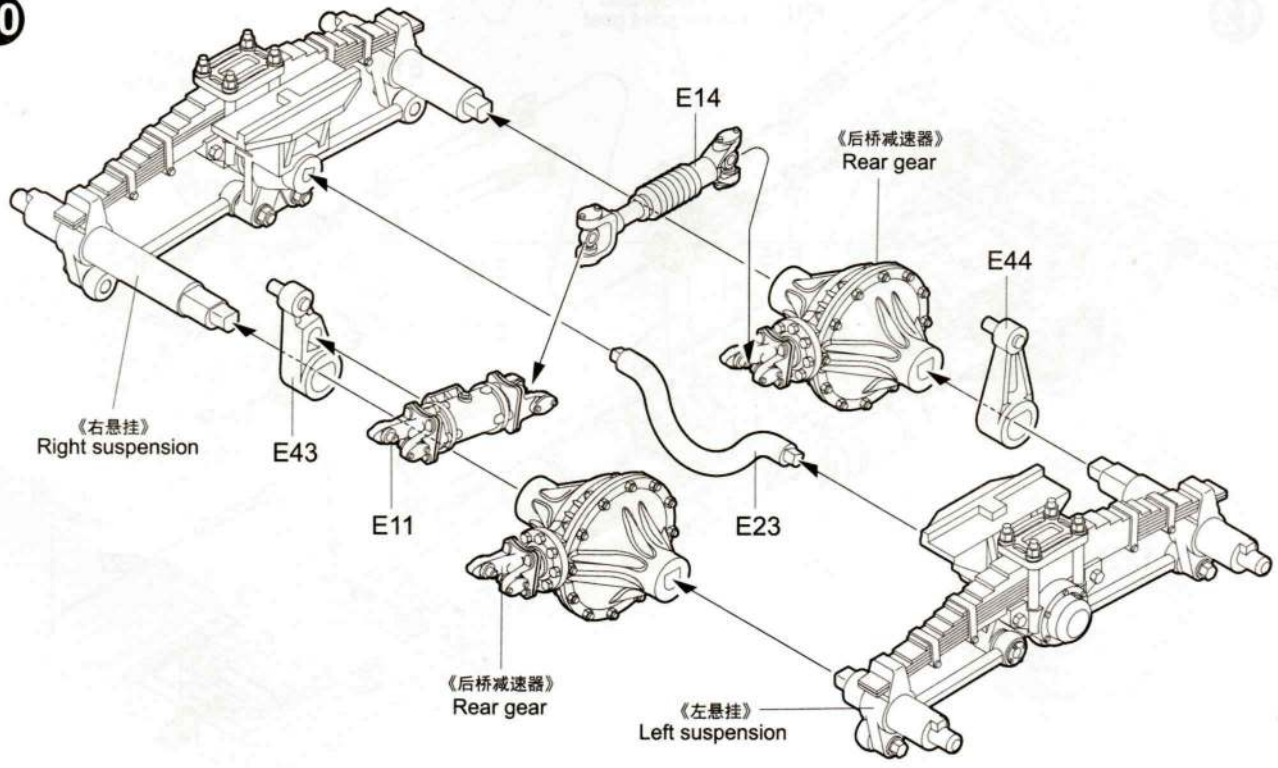
《右前轮》
Right front wheel



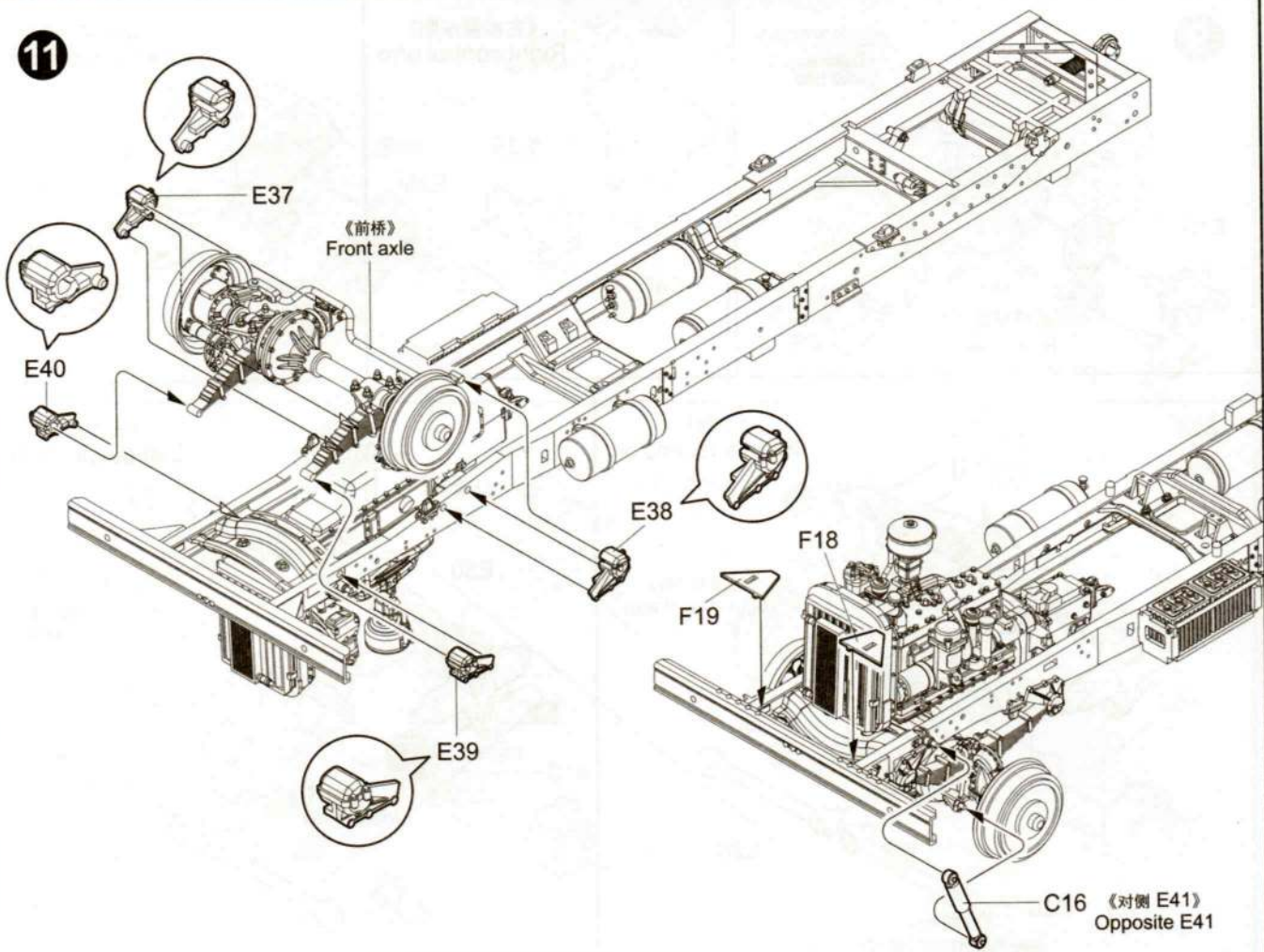
9



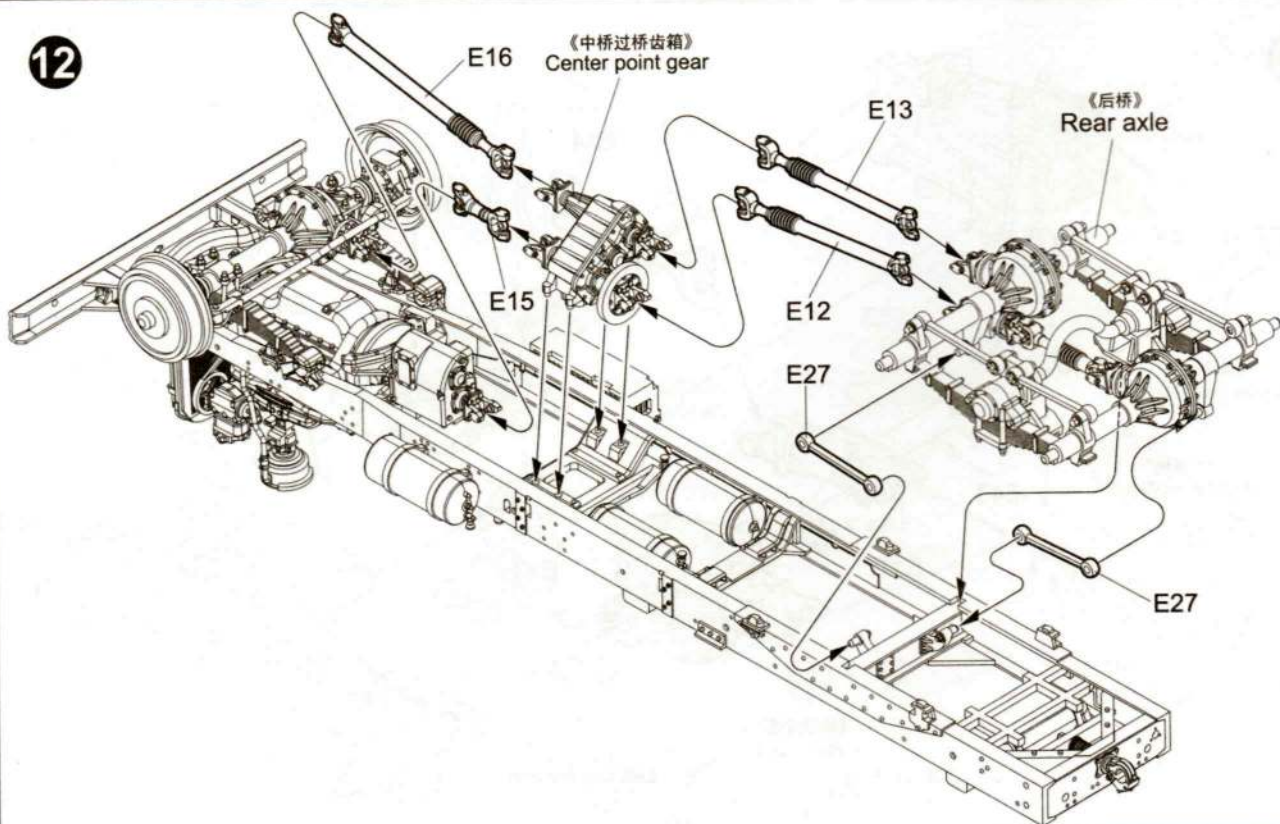
10



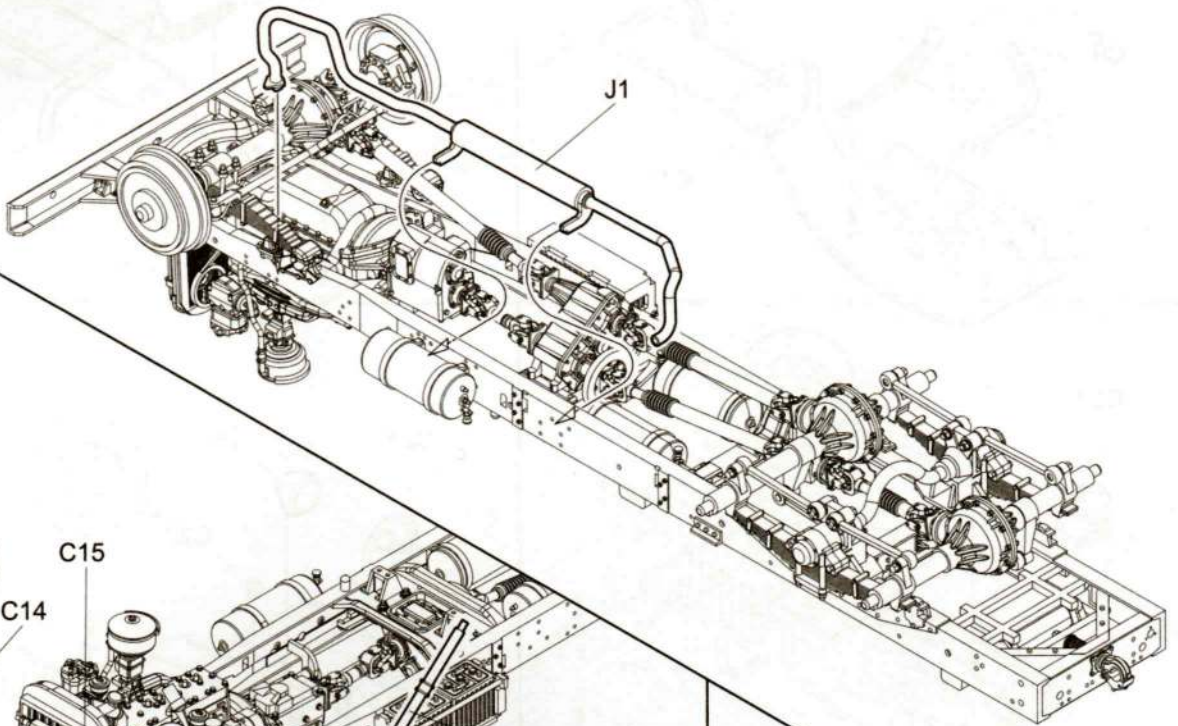
11



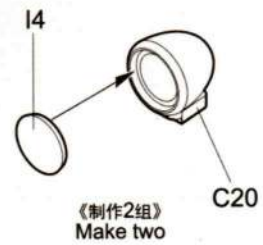
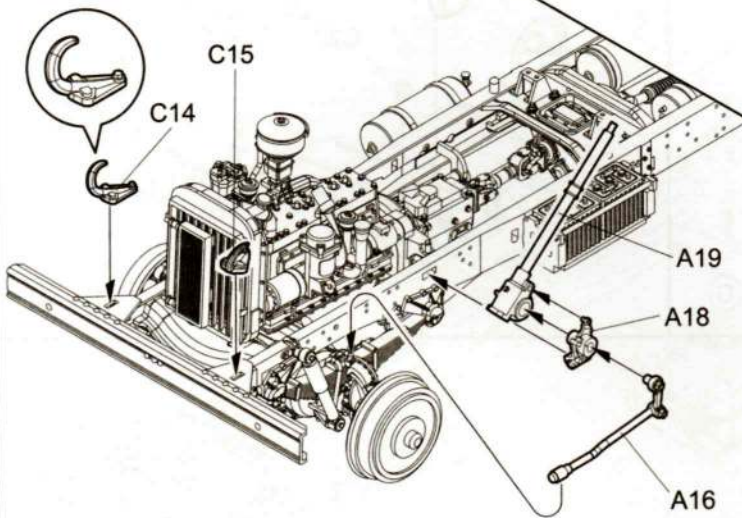
12



13

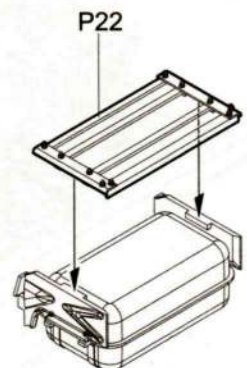
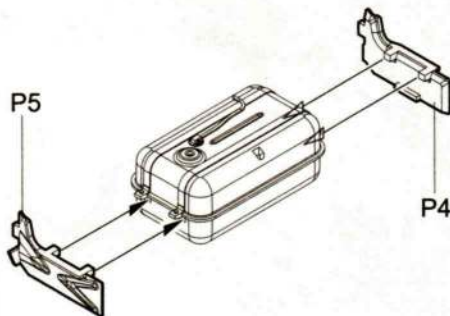
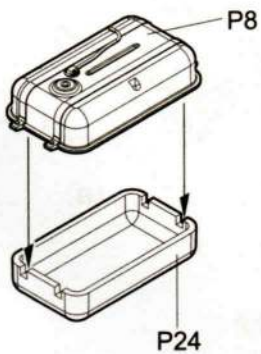


14



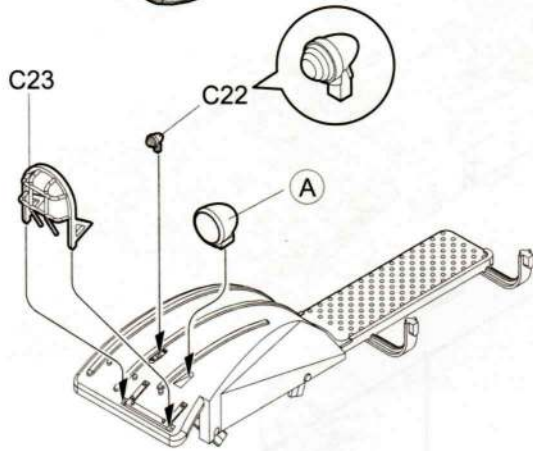
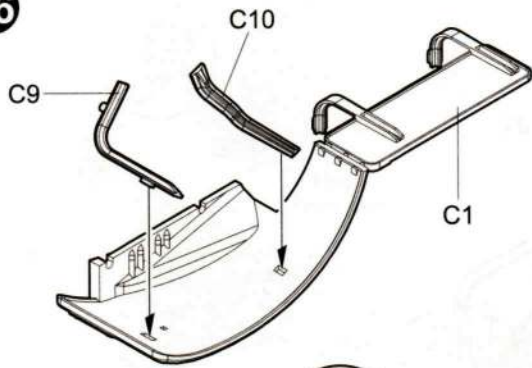
A

15

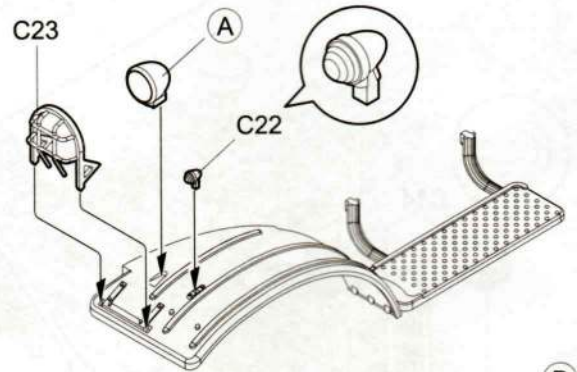
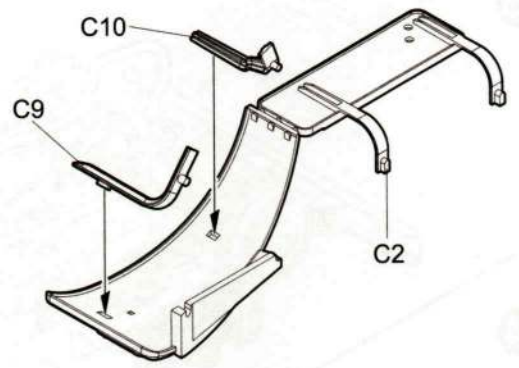


B

16

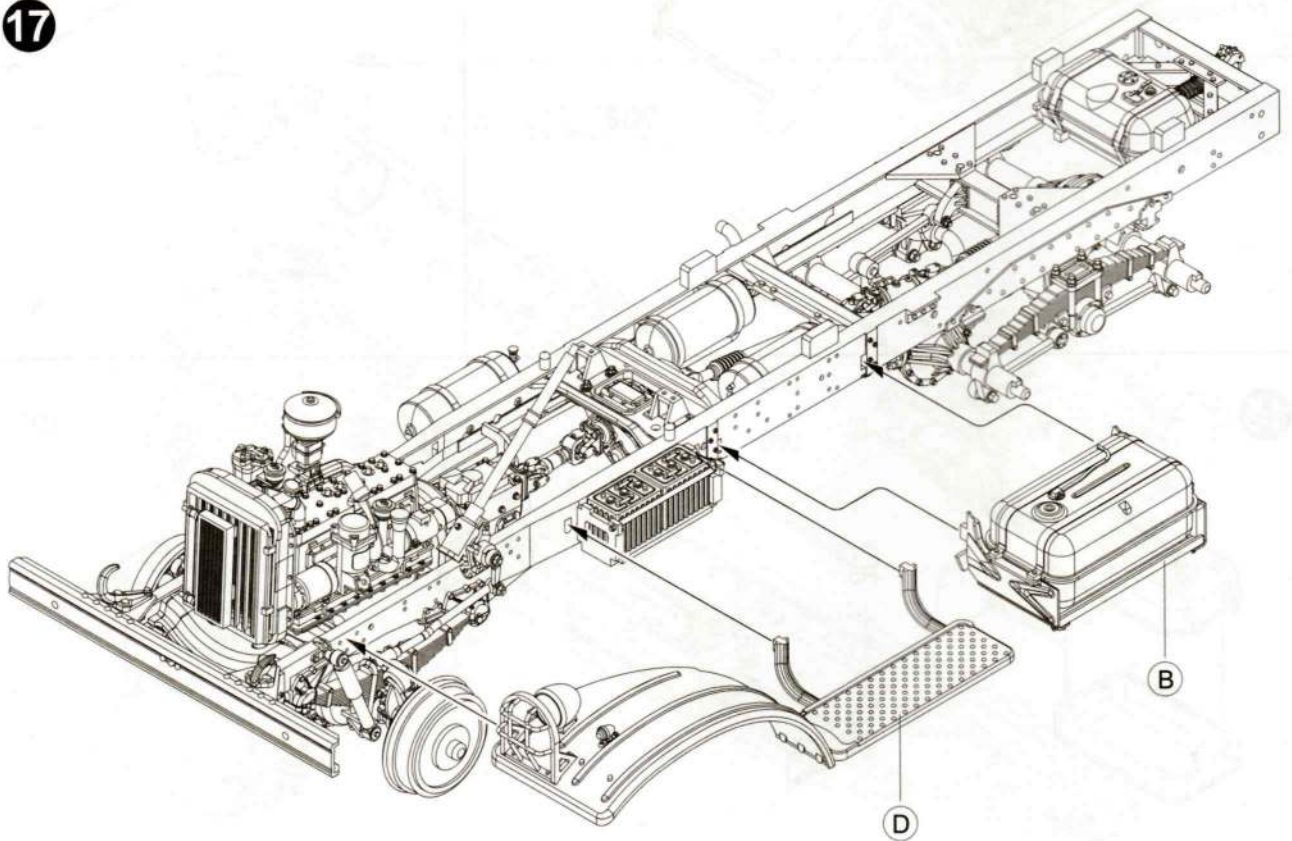


C



D

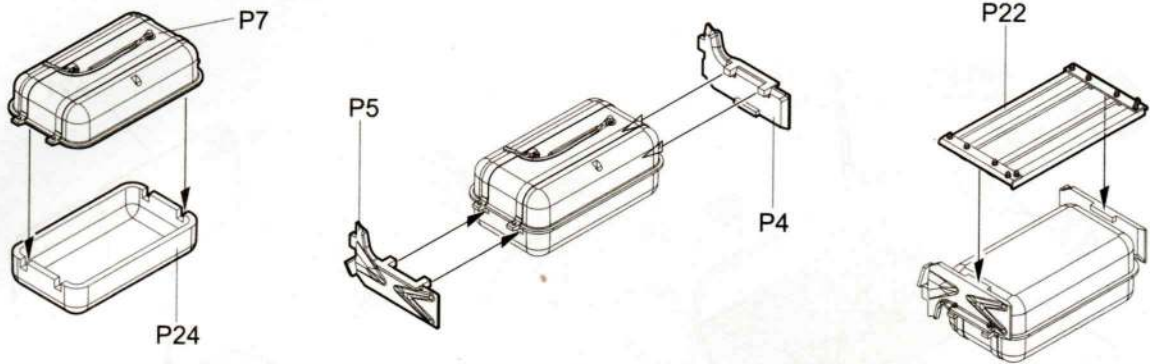
17



D

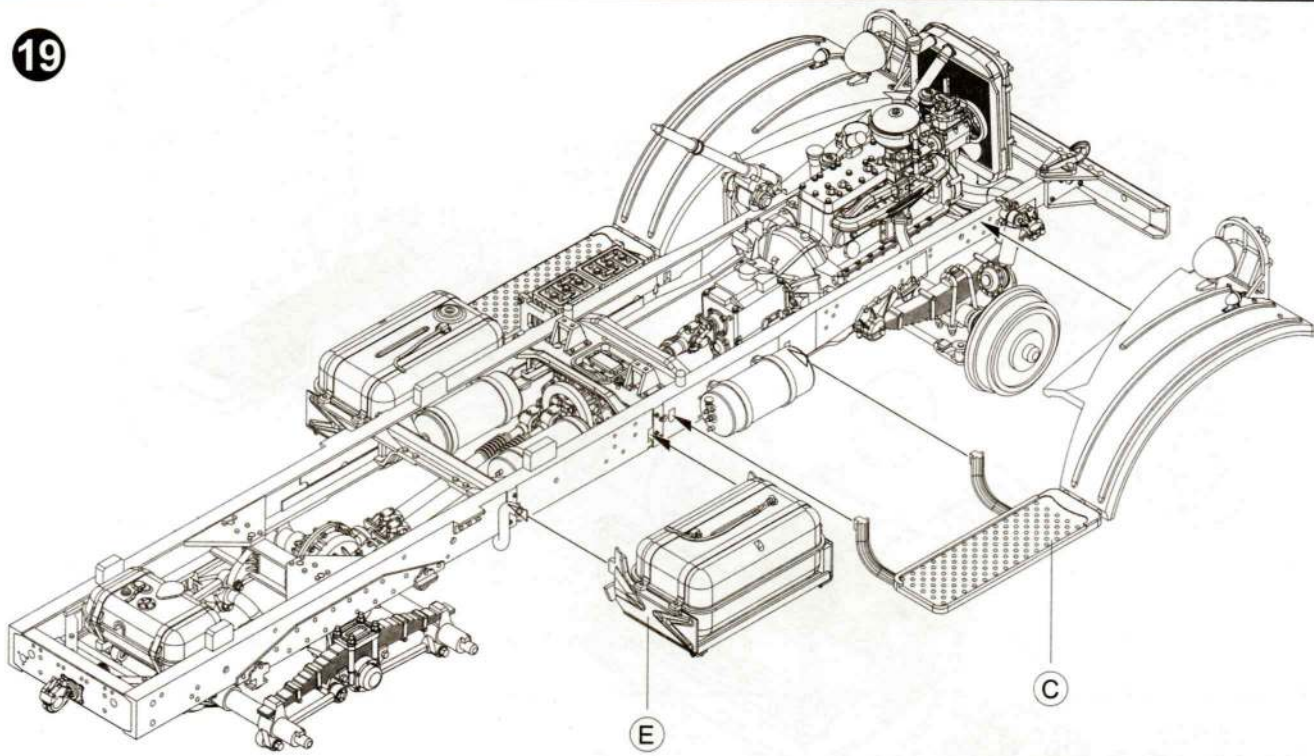
B

18



E

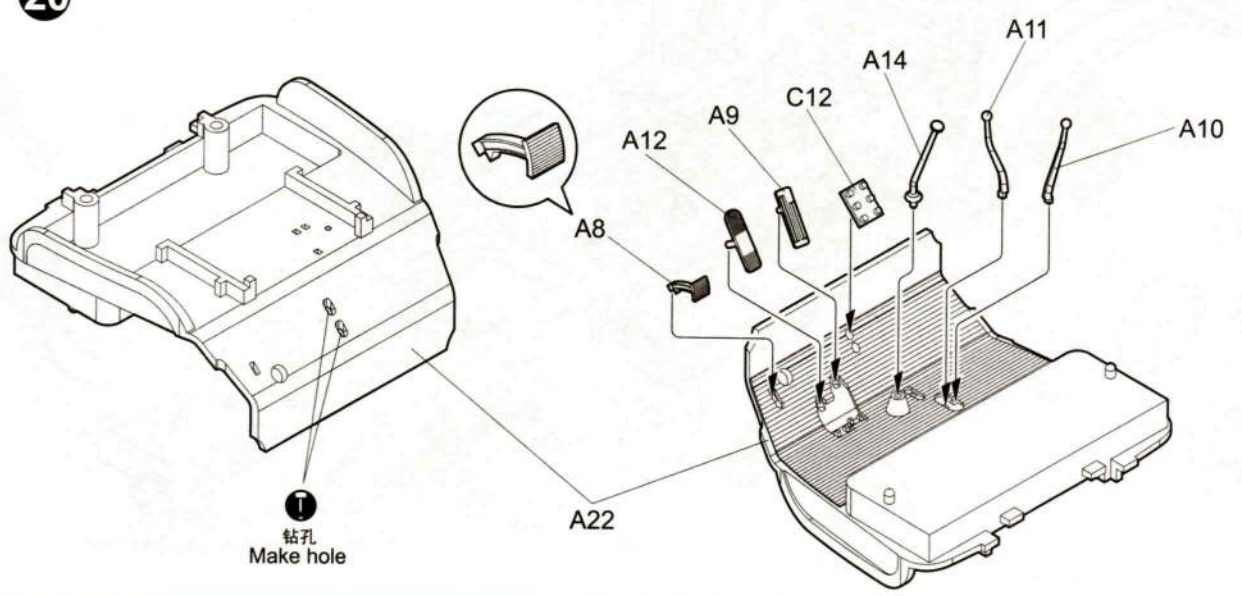
19



E

C

20



T
 钻孔
 Make hole

A22

A12

A9

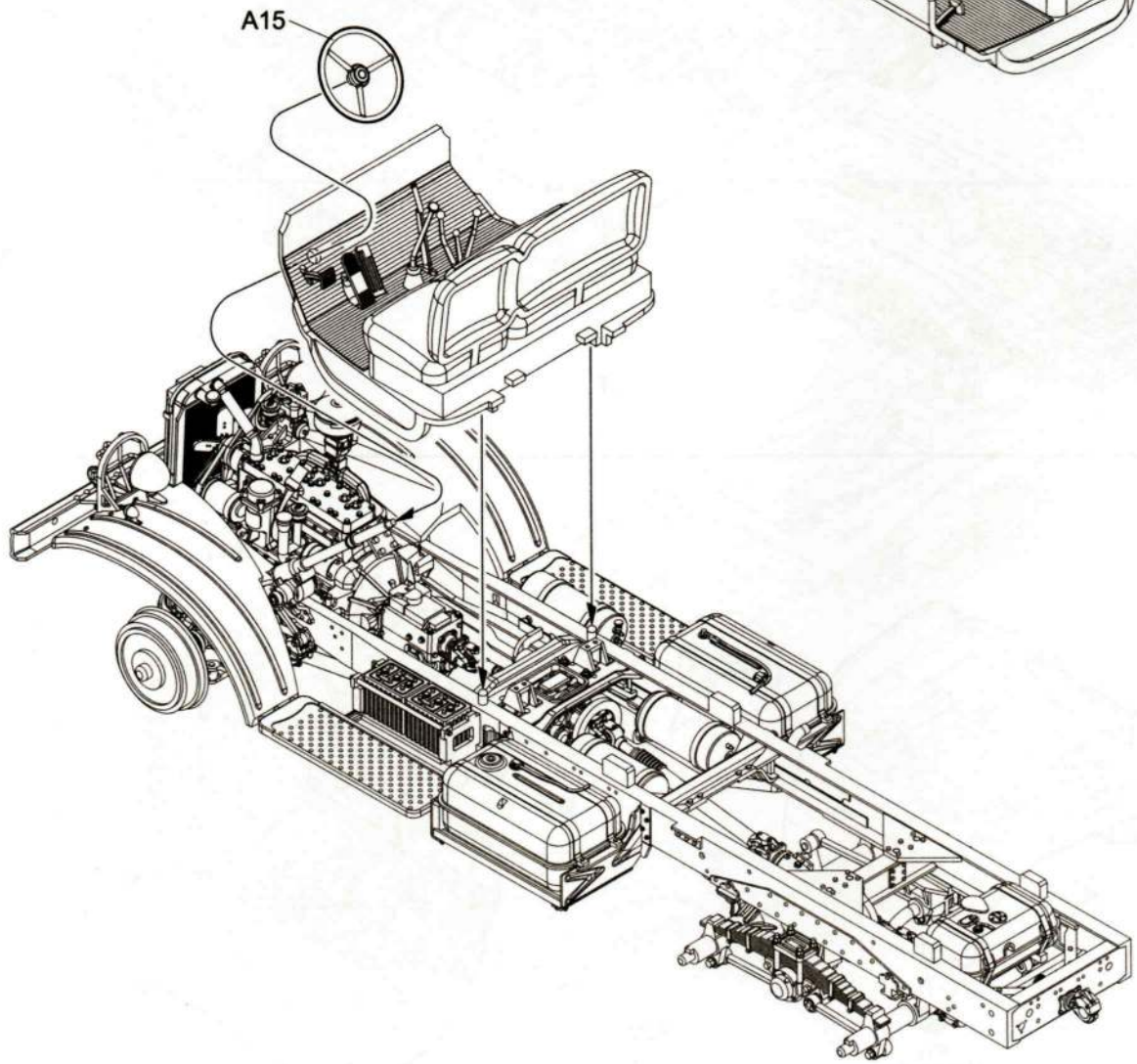
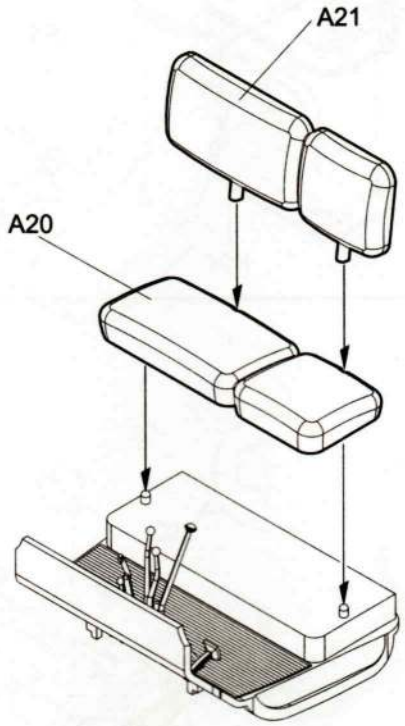
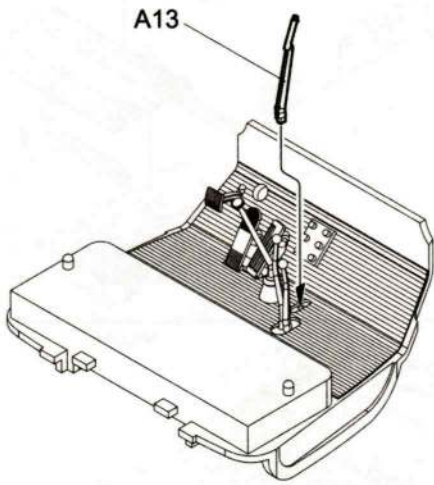
C12

A14

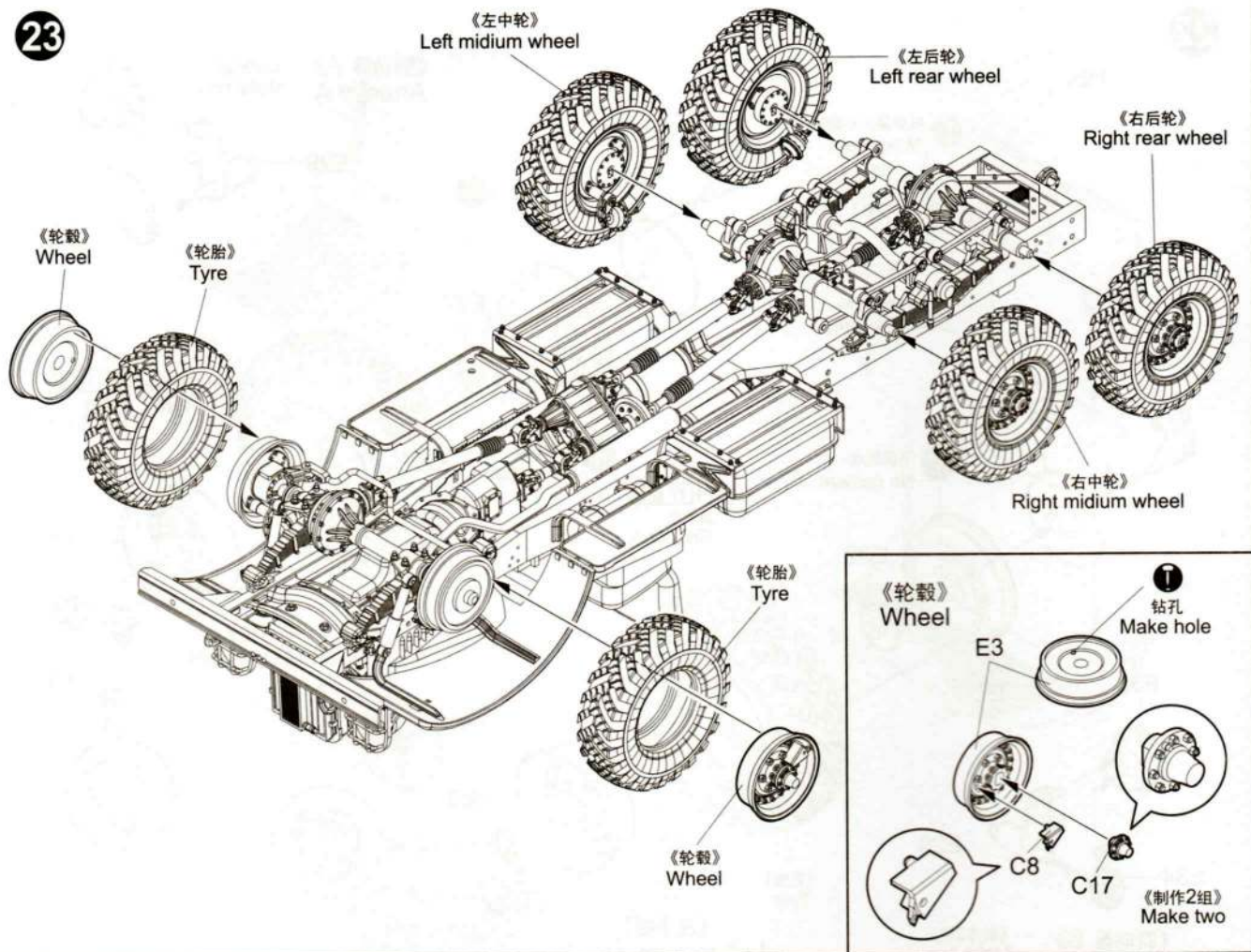
A11

A10

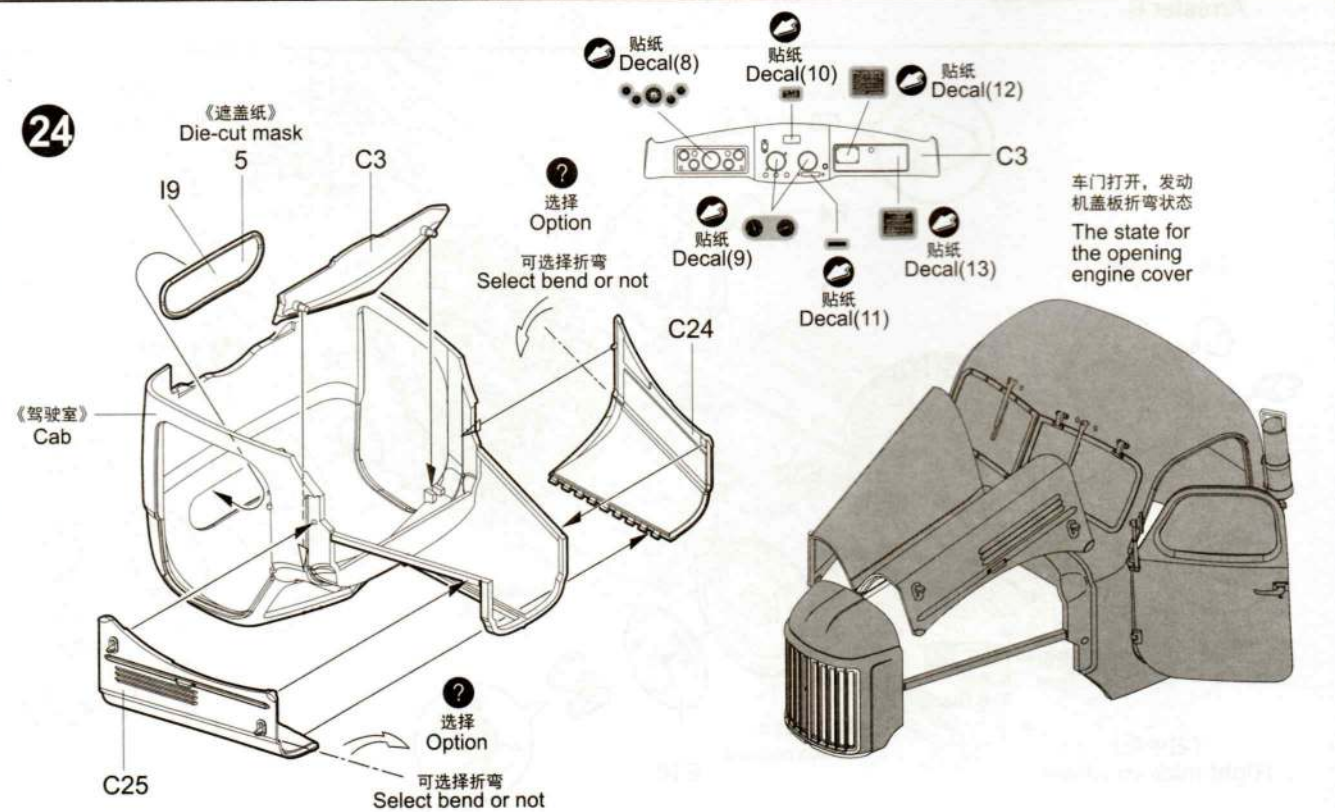
21

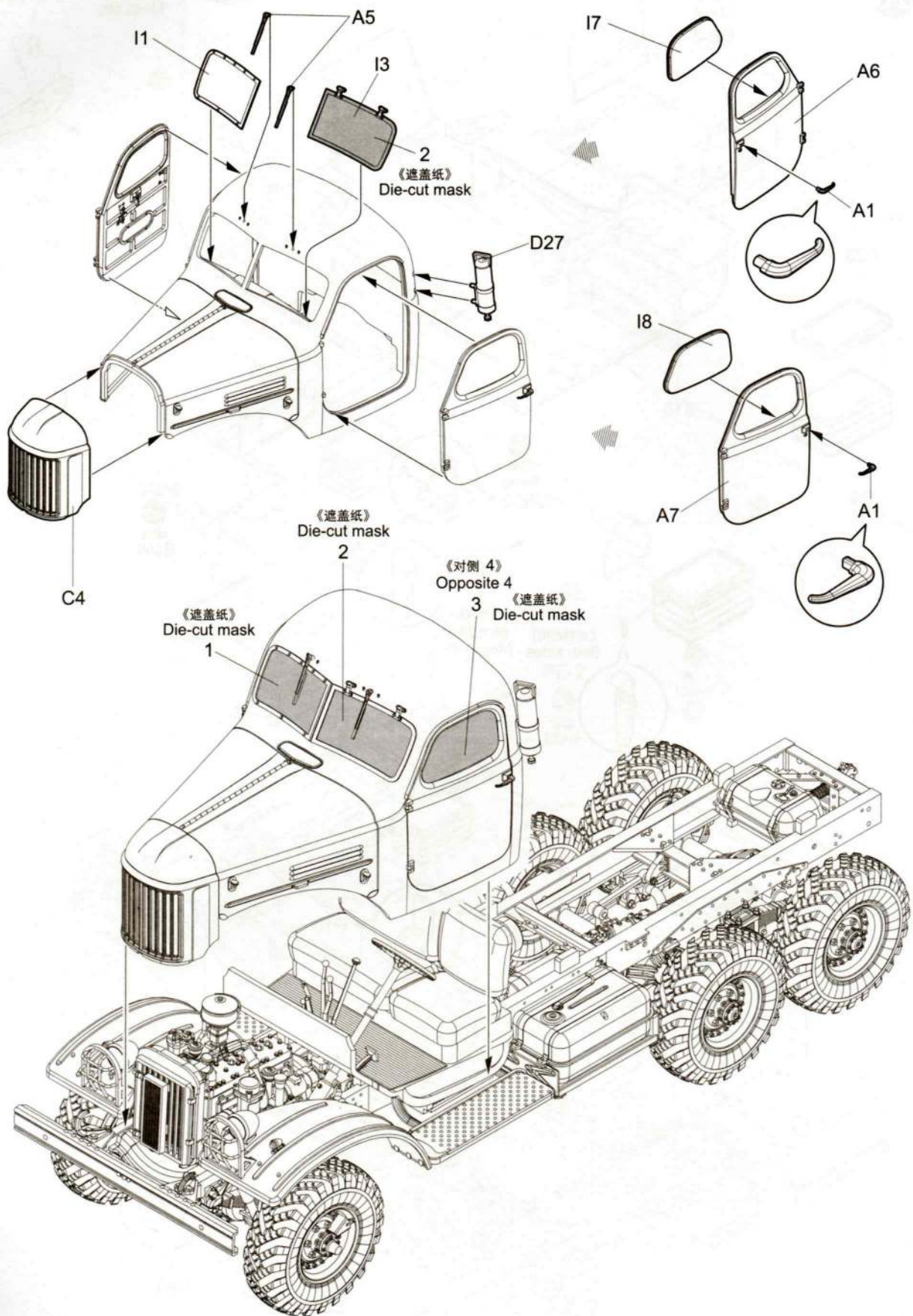


23



24



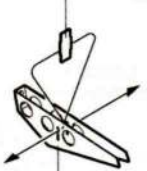


26

弯曲
Bend
PE-6

《制作2组》
Make two

PE-14



PE-15

弯曲
Bend

P23



P6

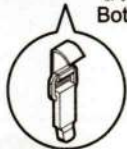
J10

弯曲
Bend
PE-3

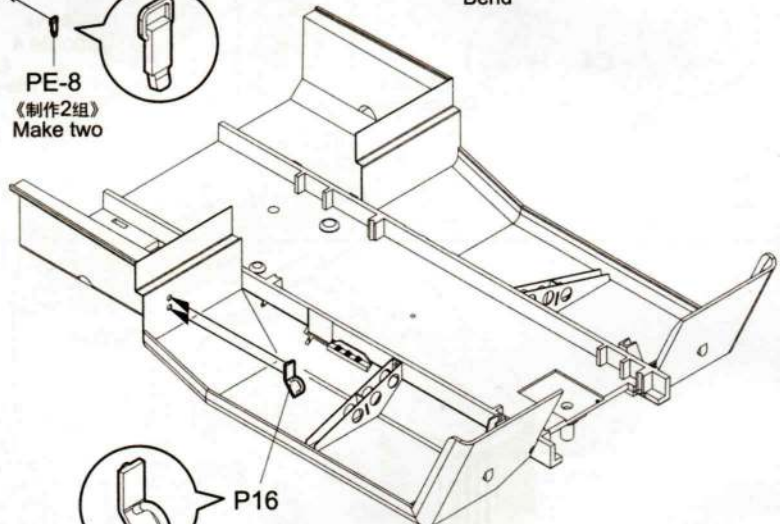


PE-8
《制作2组》
Make two

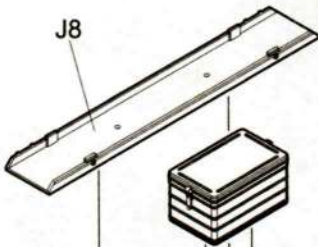
《对侧相同》
Both sides



PE-7
弯曲
Bend



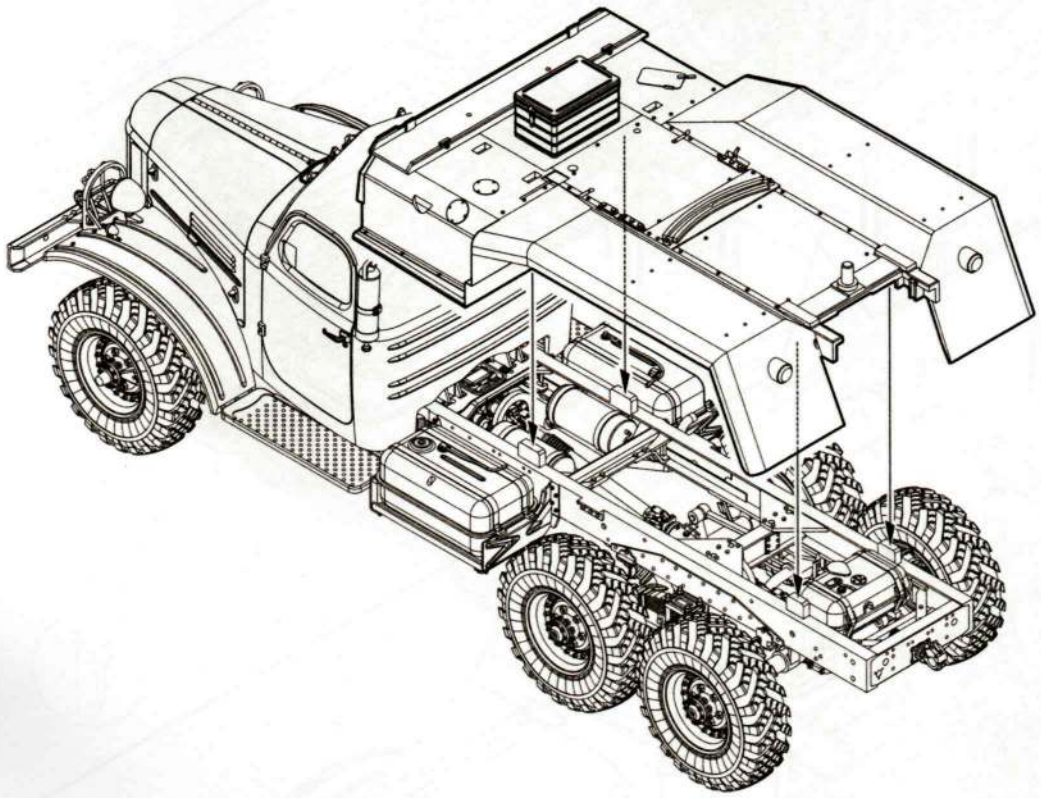
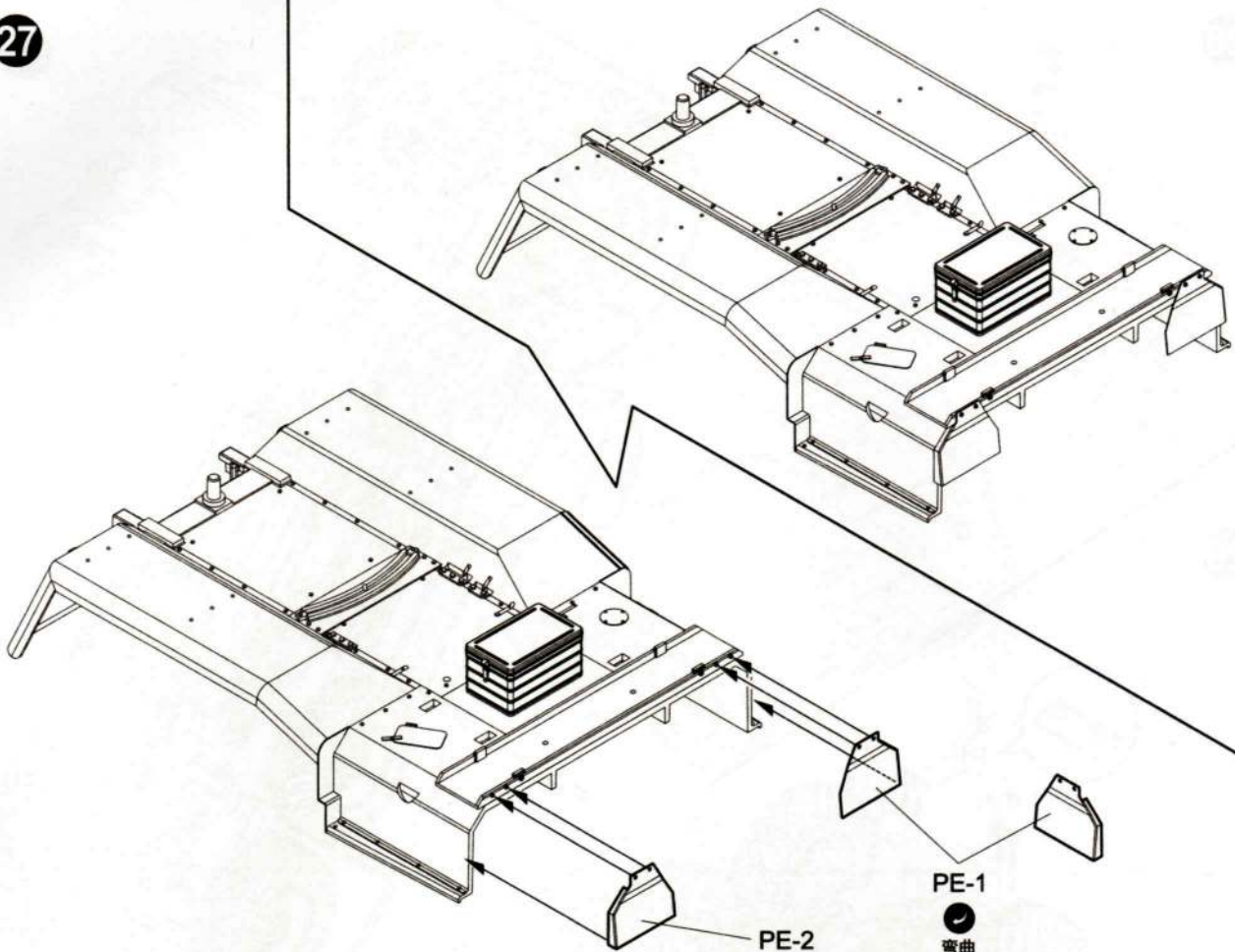
J8



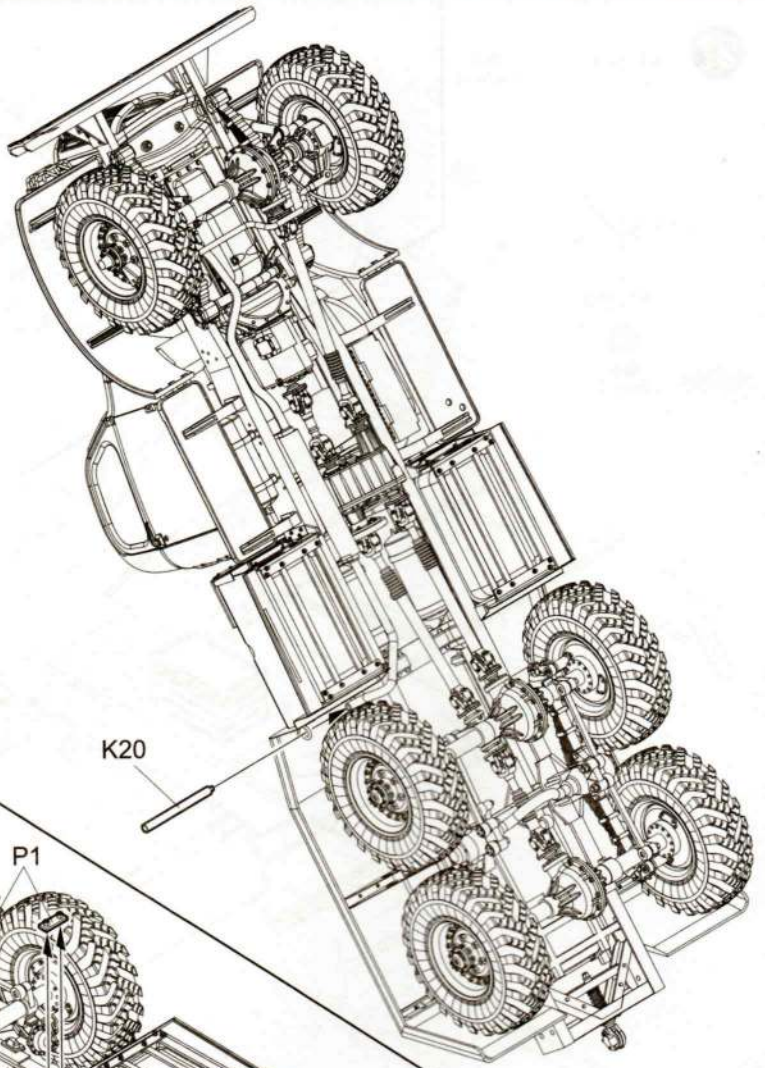
P16

P20

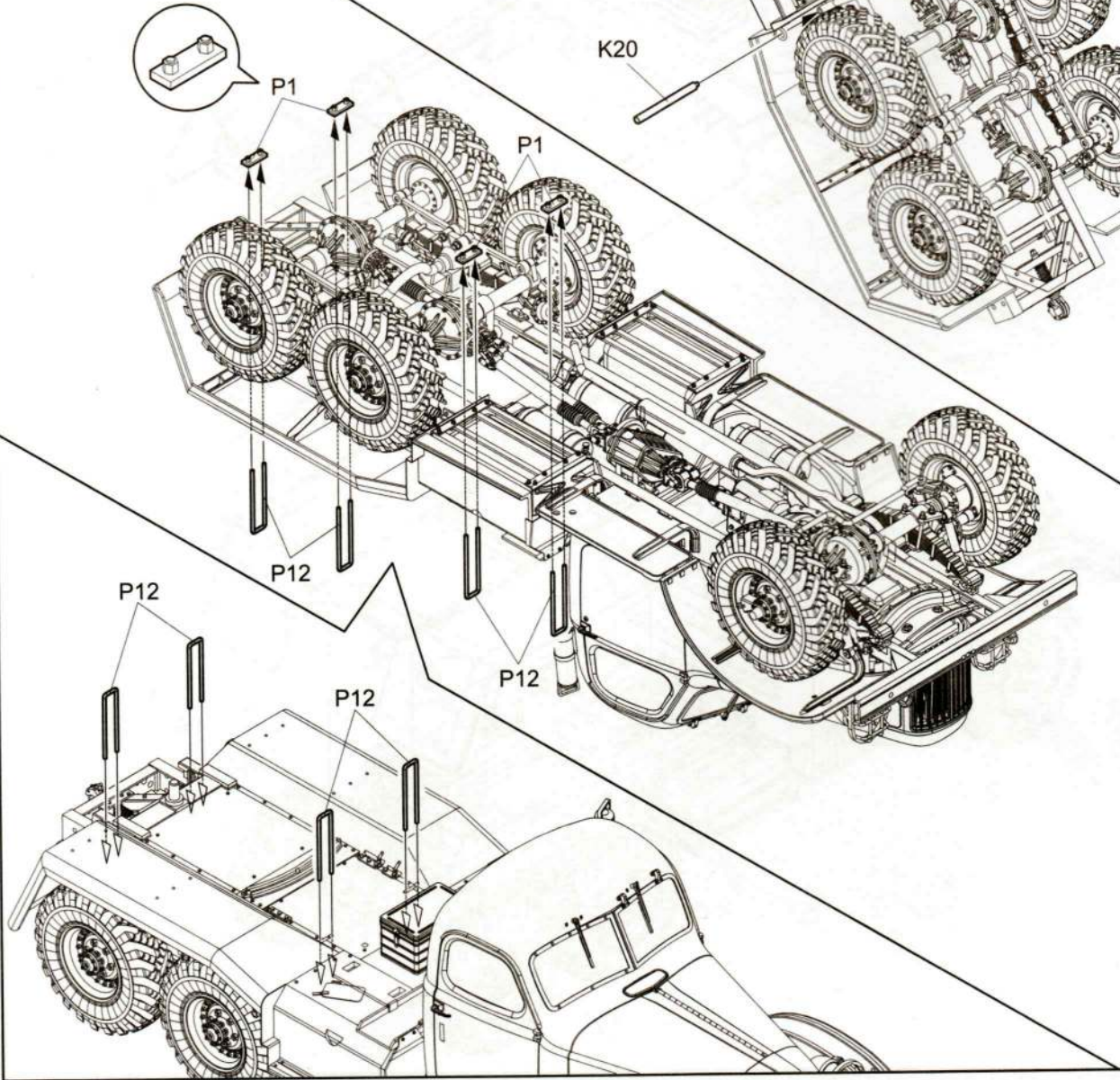




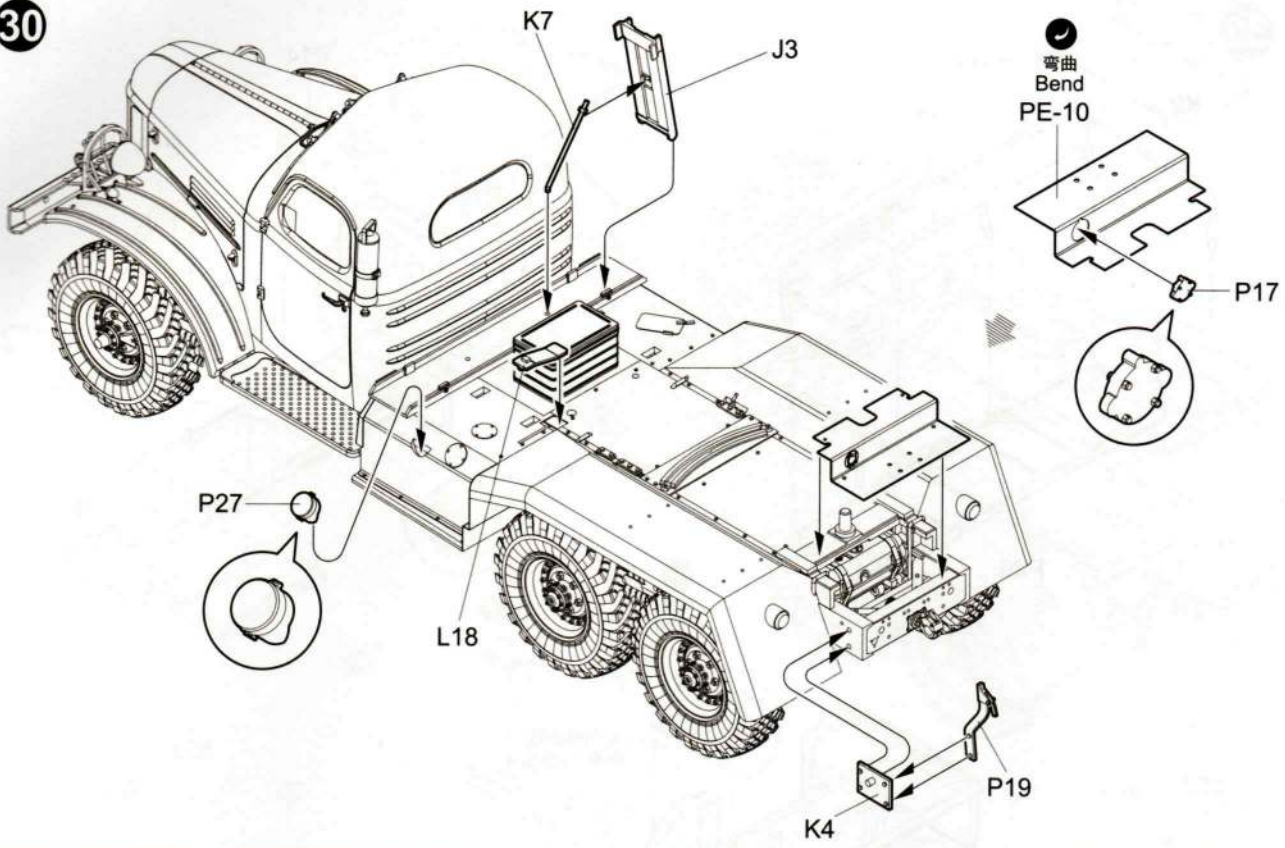
28



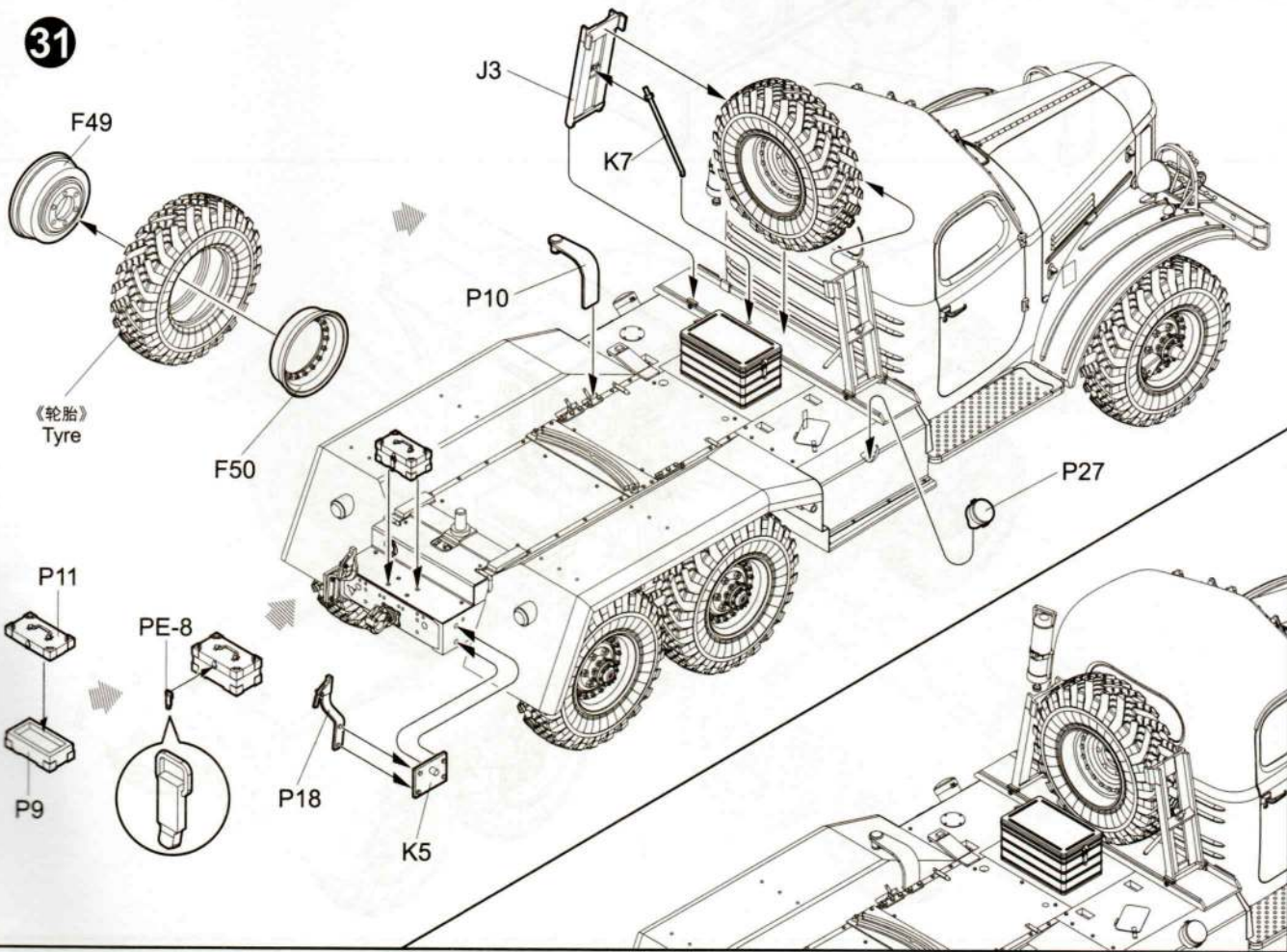
29



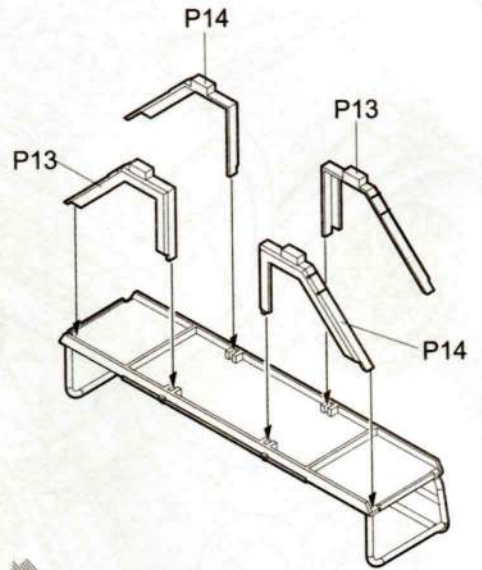
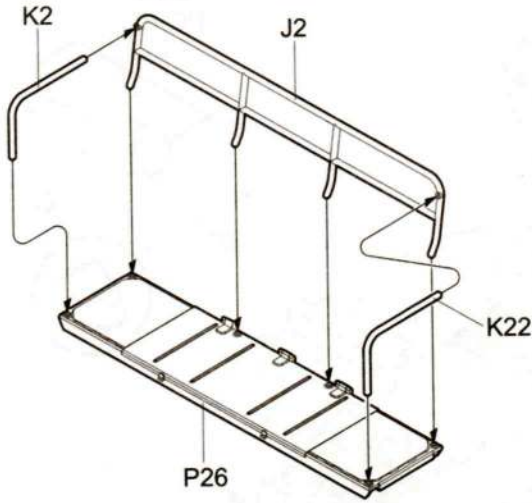
30



31

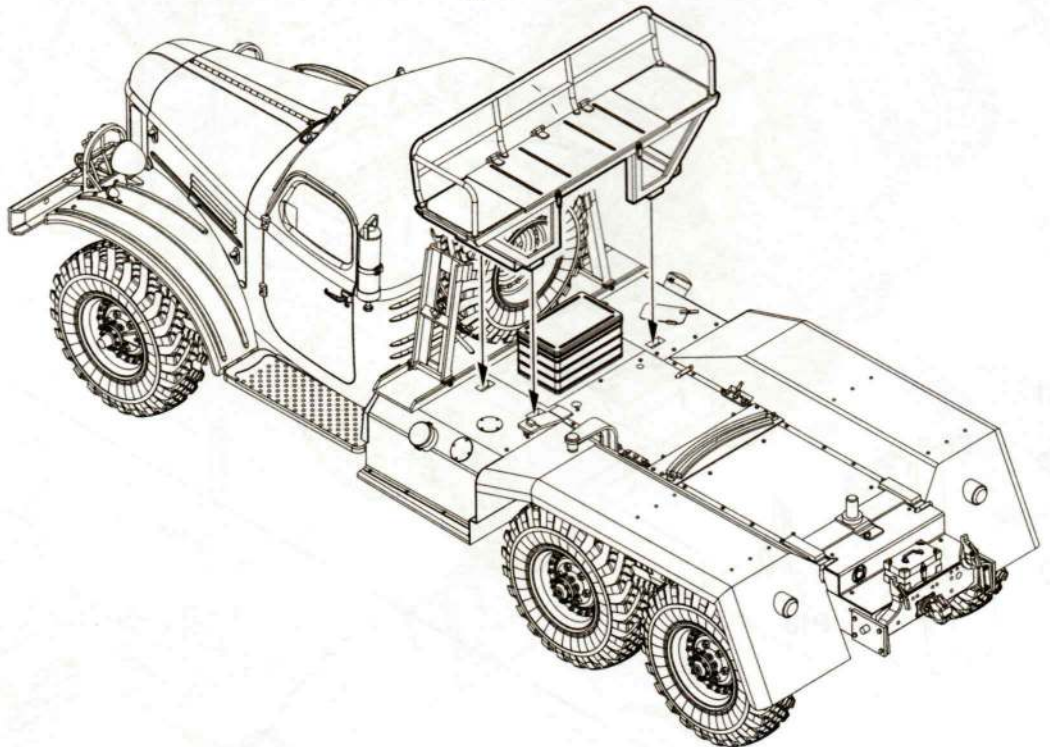
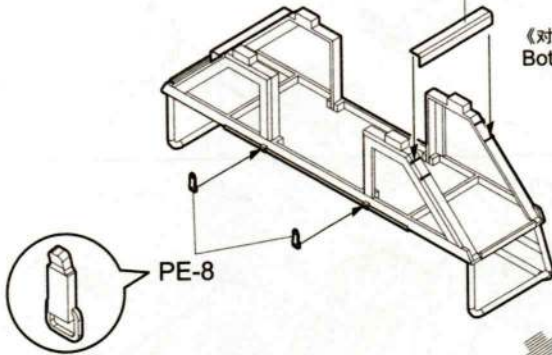


32

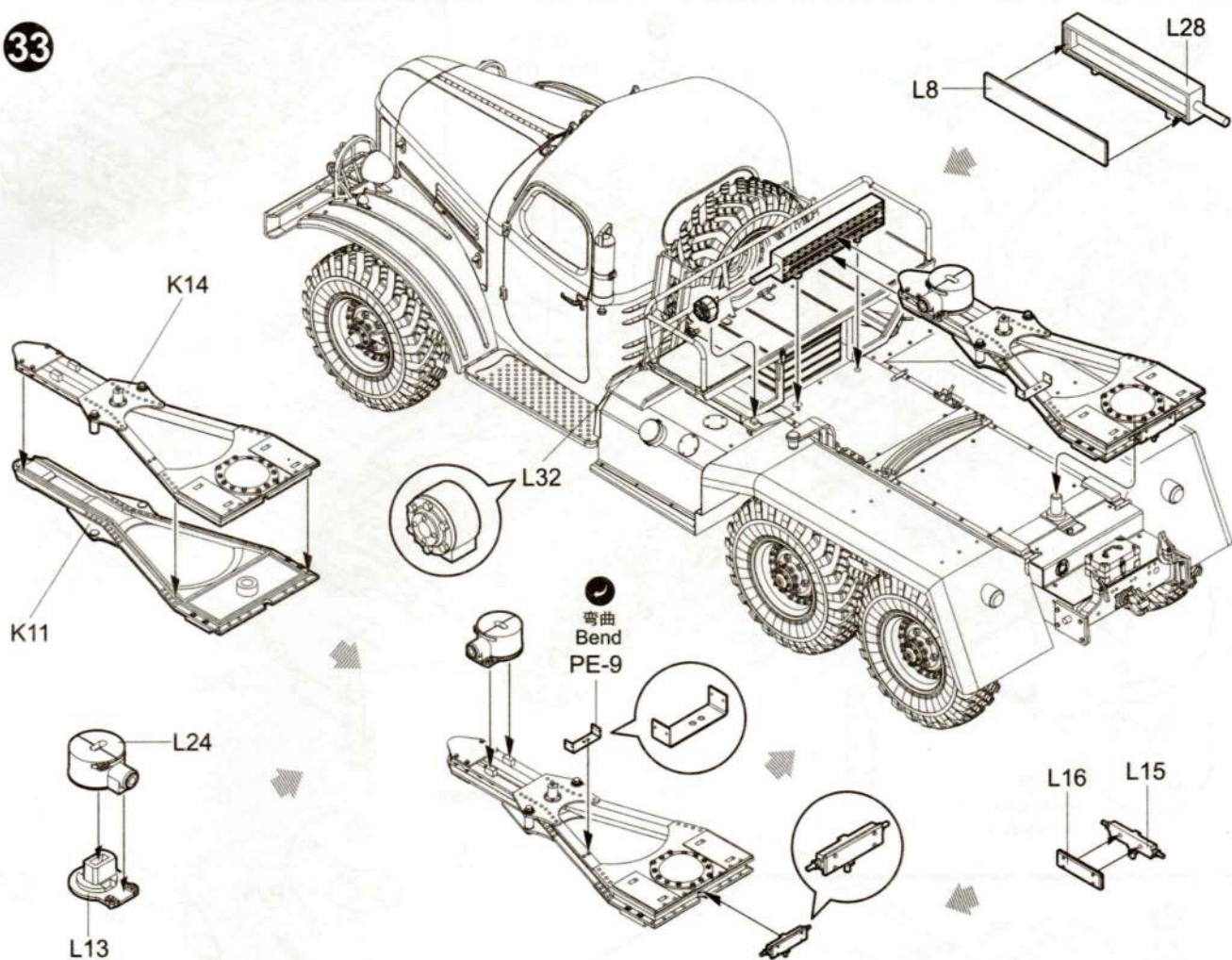


弯曲
Bend
PE-12

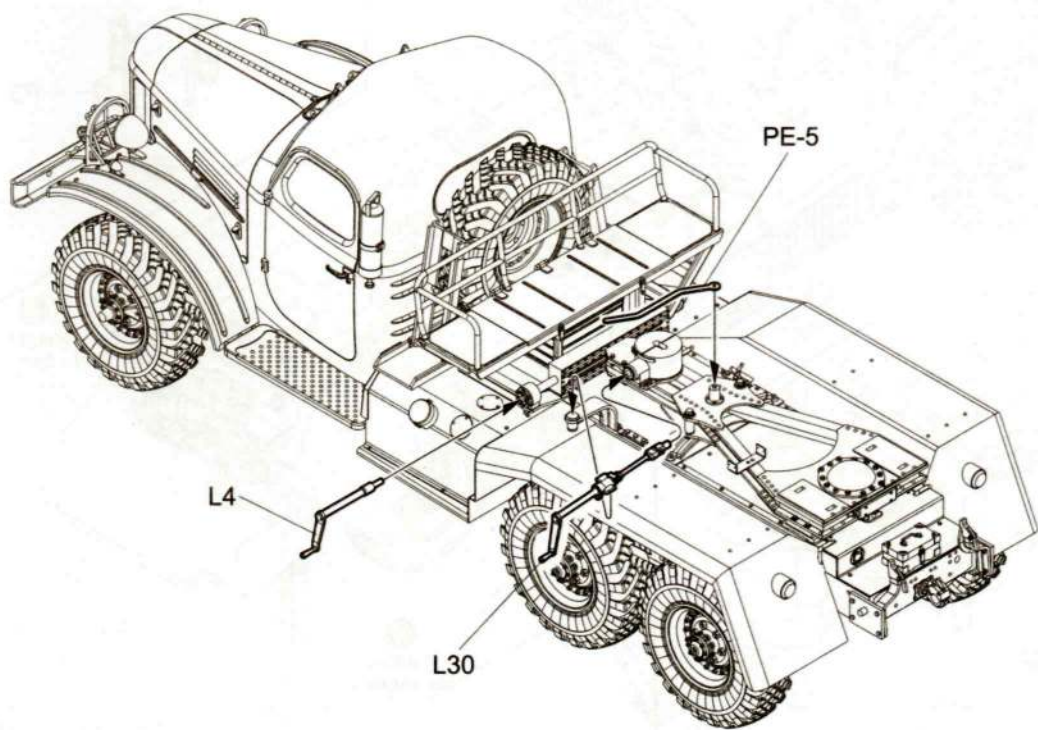
《对侧相同》
Both sides



33

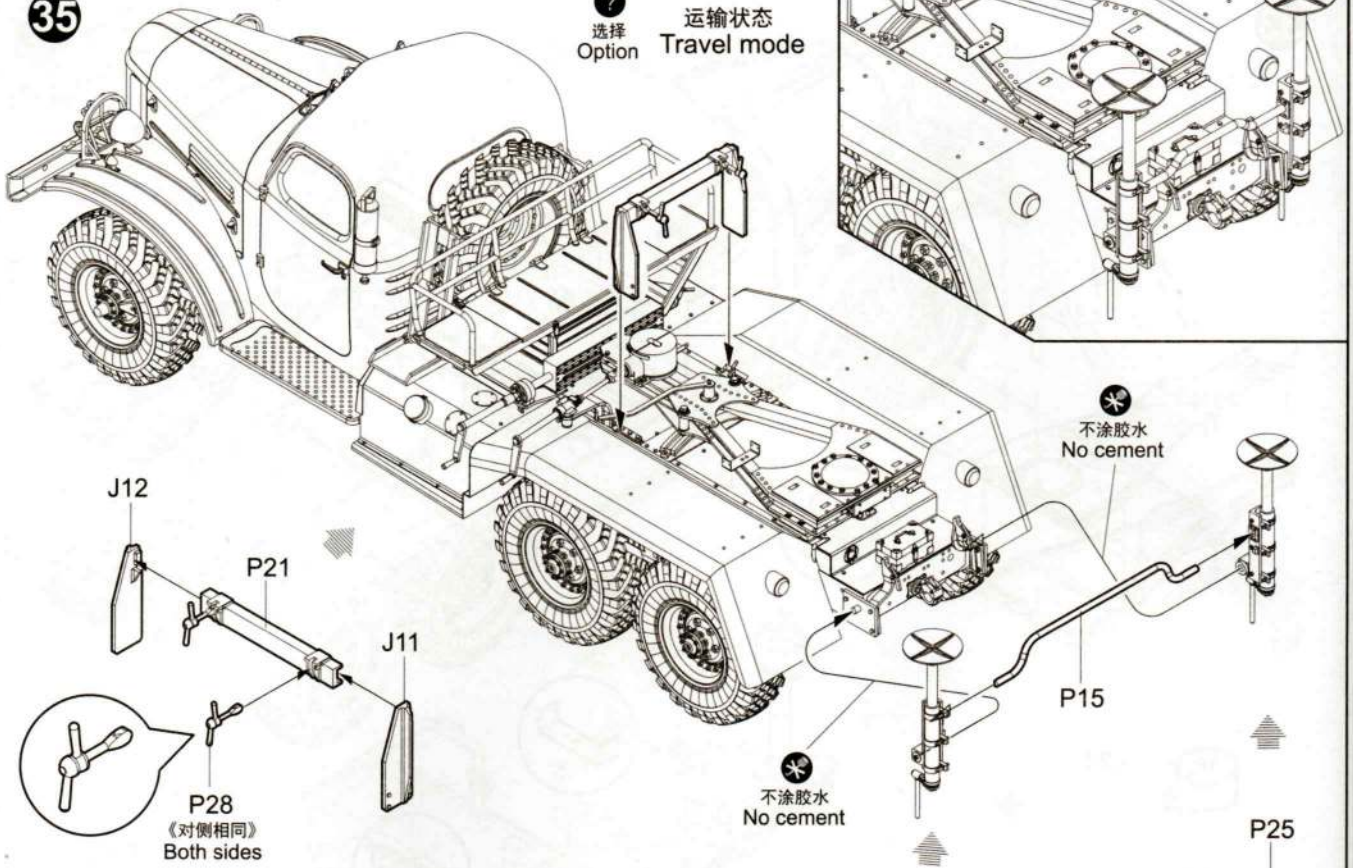


34

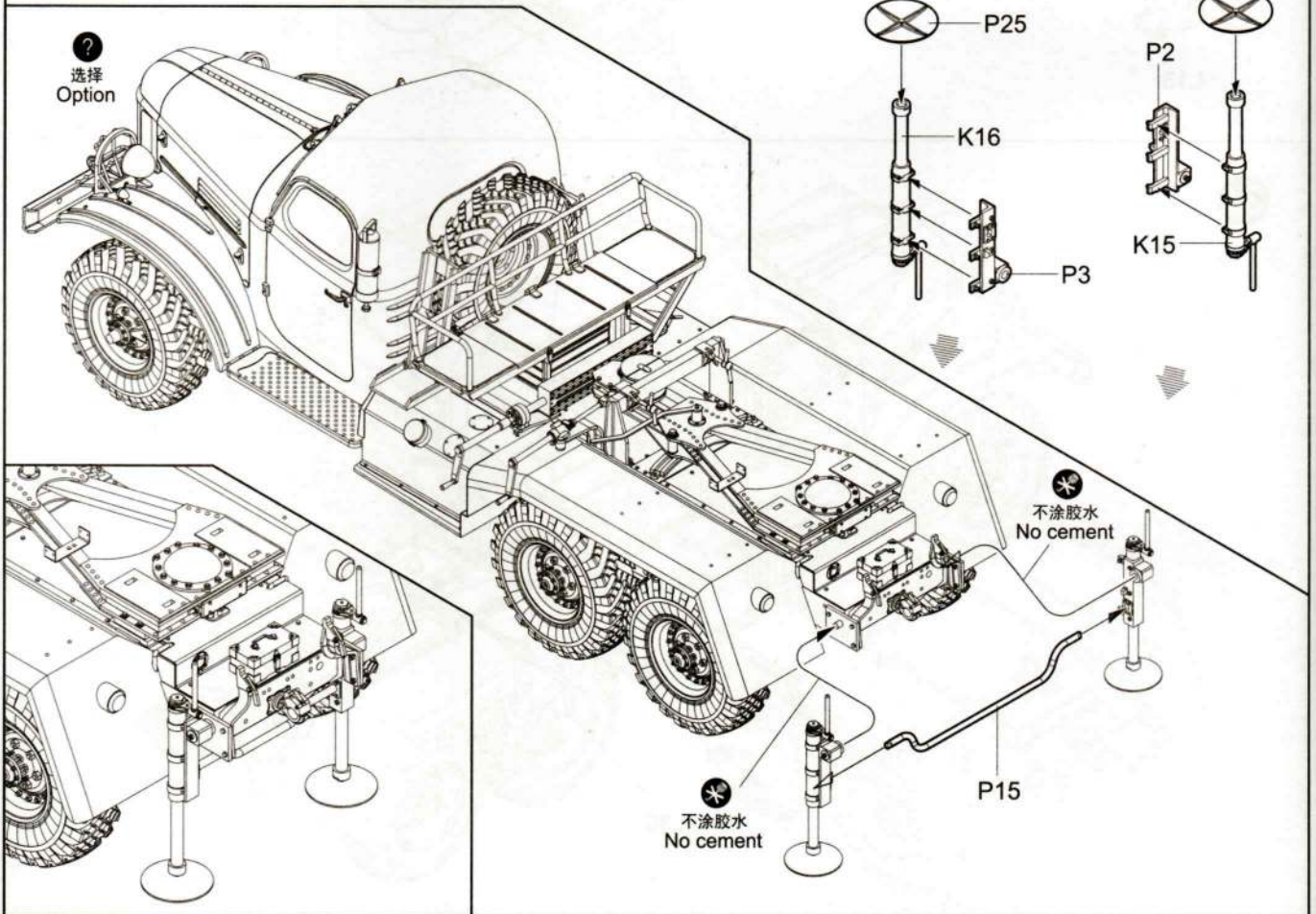


35

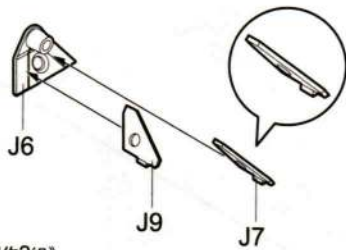
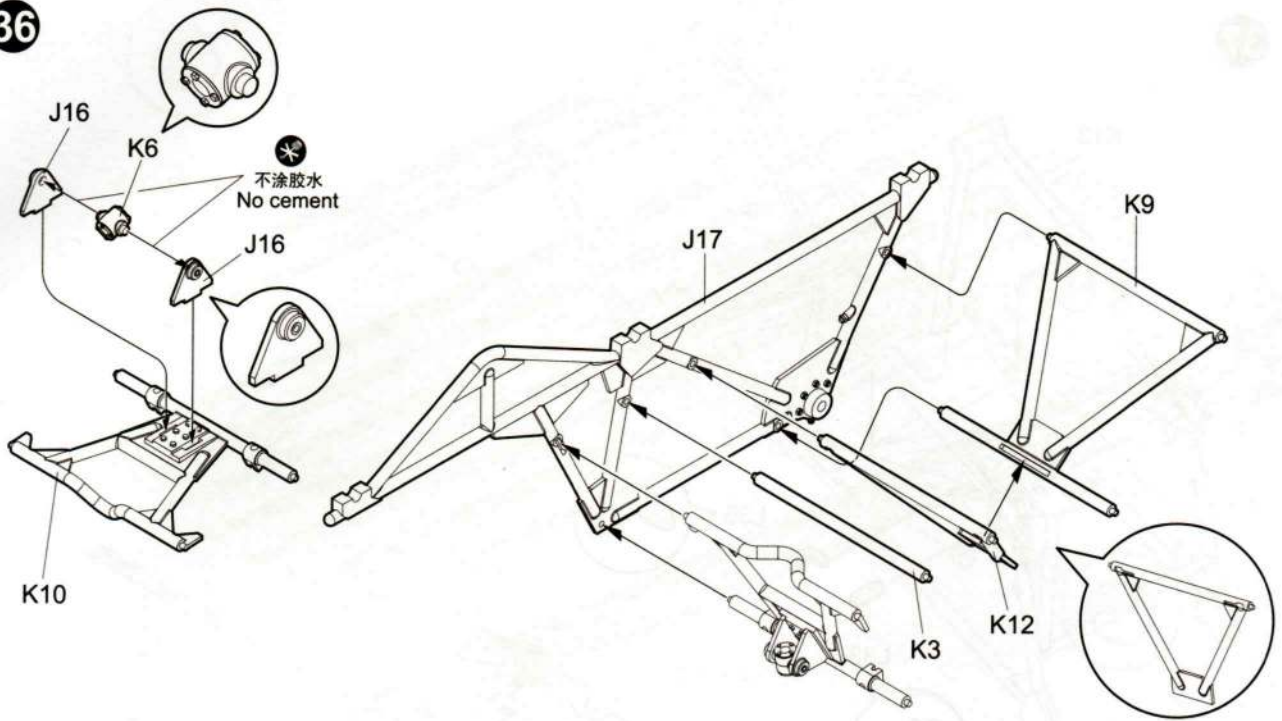
② 选择
Option 运输状态
Travel mode



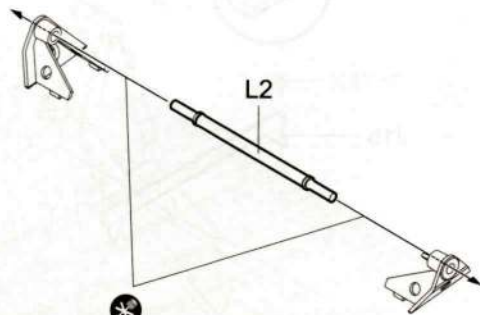
② 选择
Option



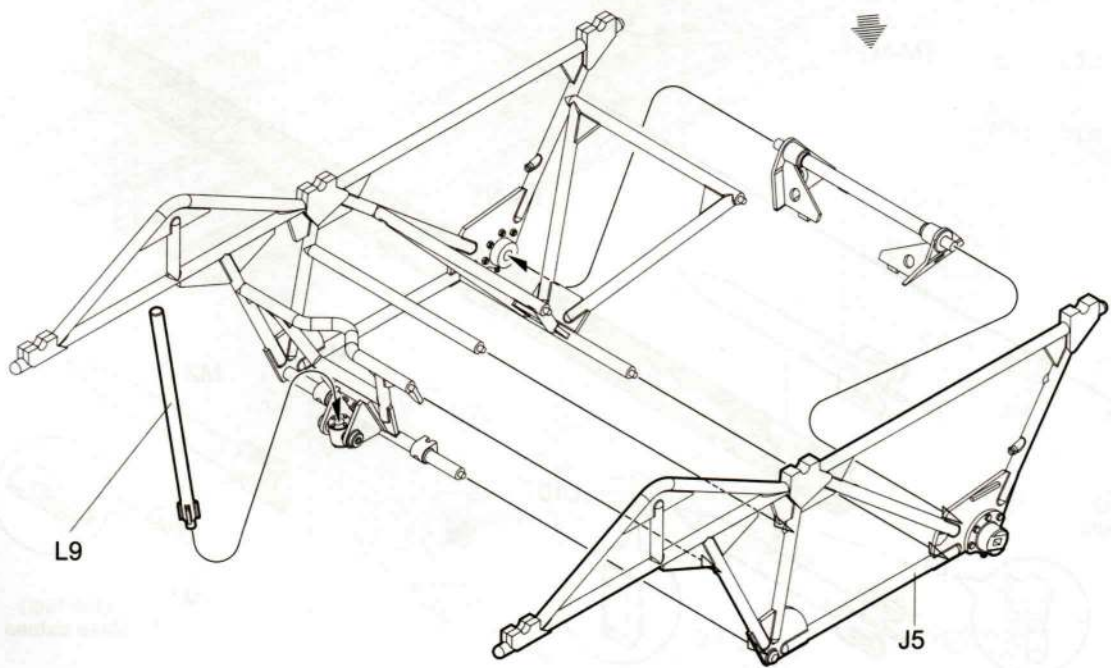
36



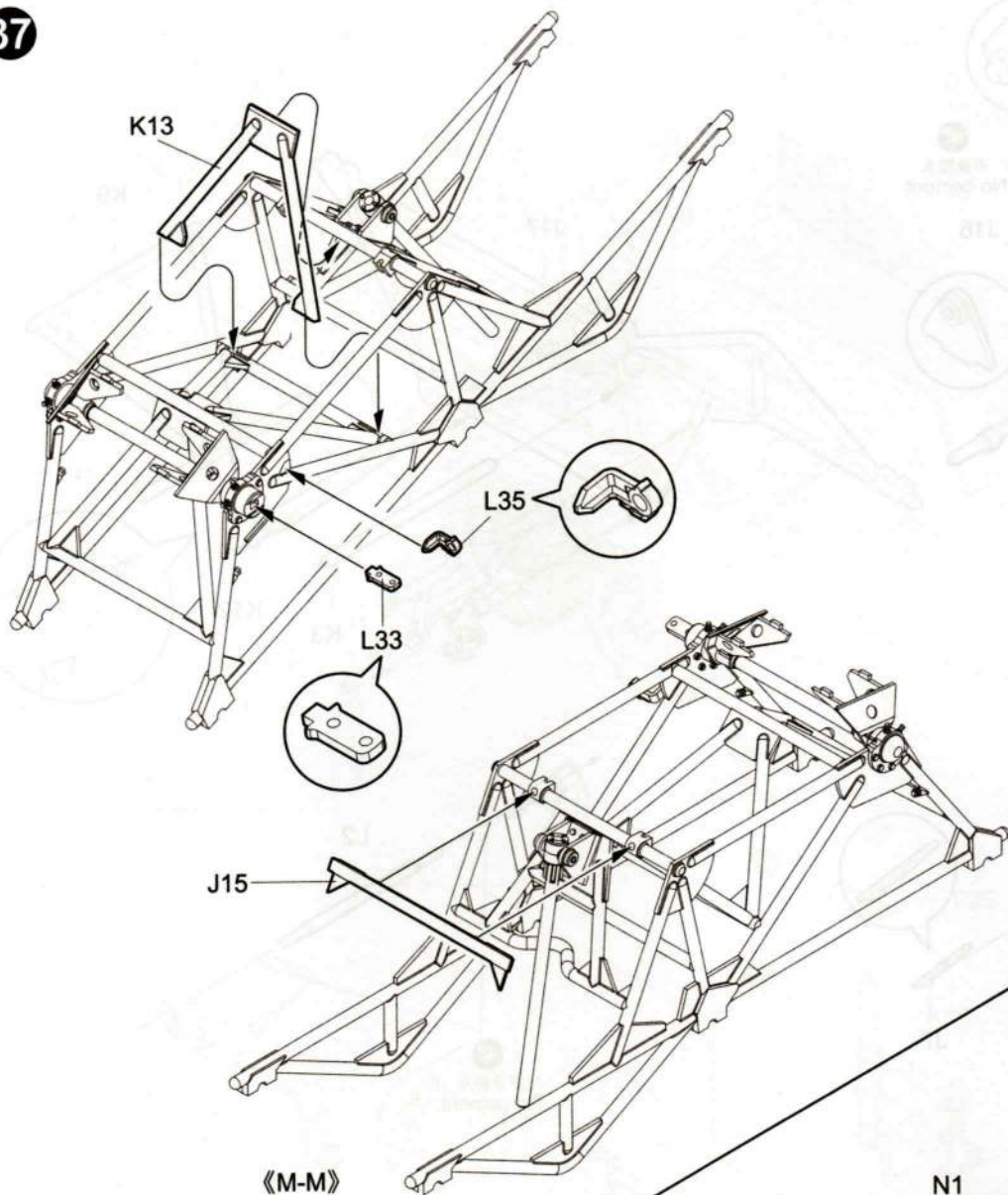
《制作2组》
Make two



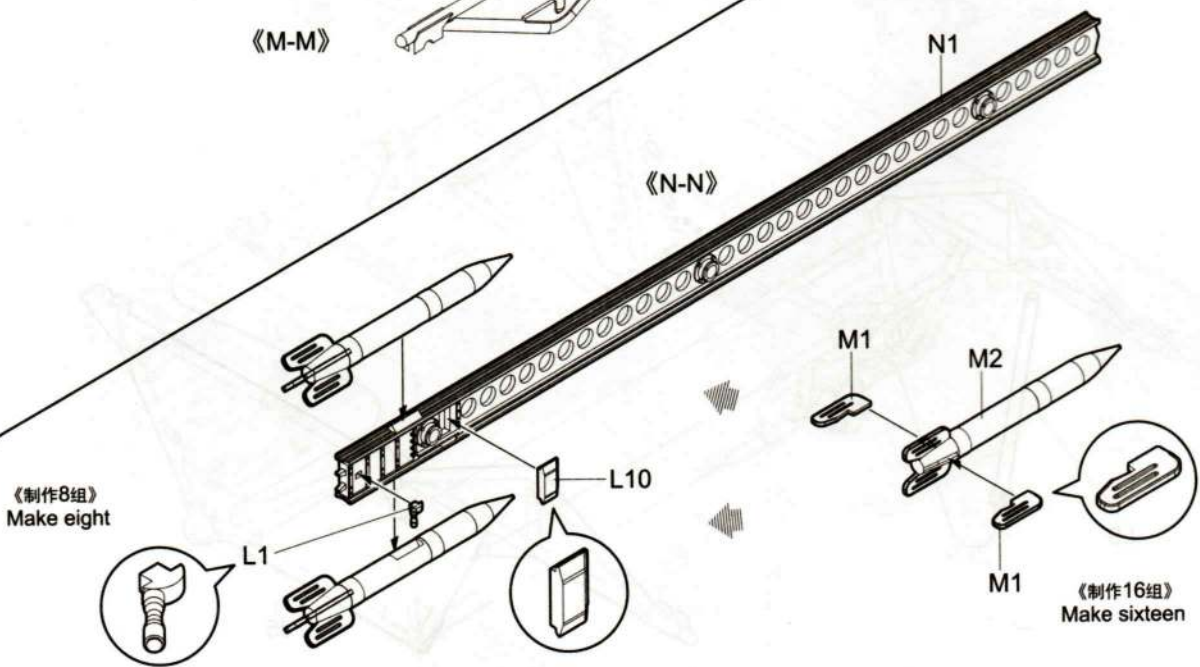
不涂胶水
No cement



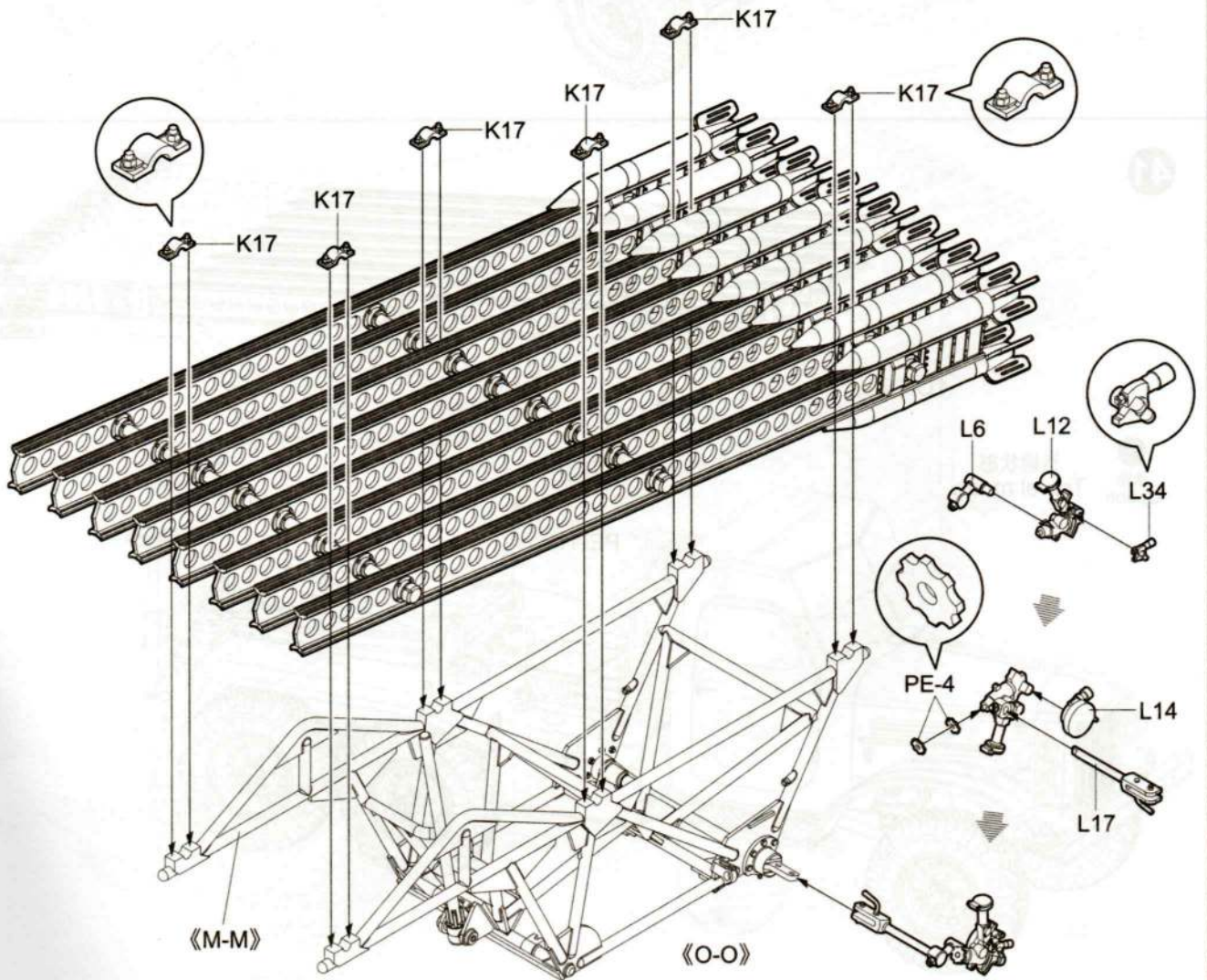
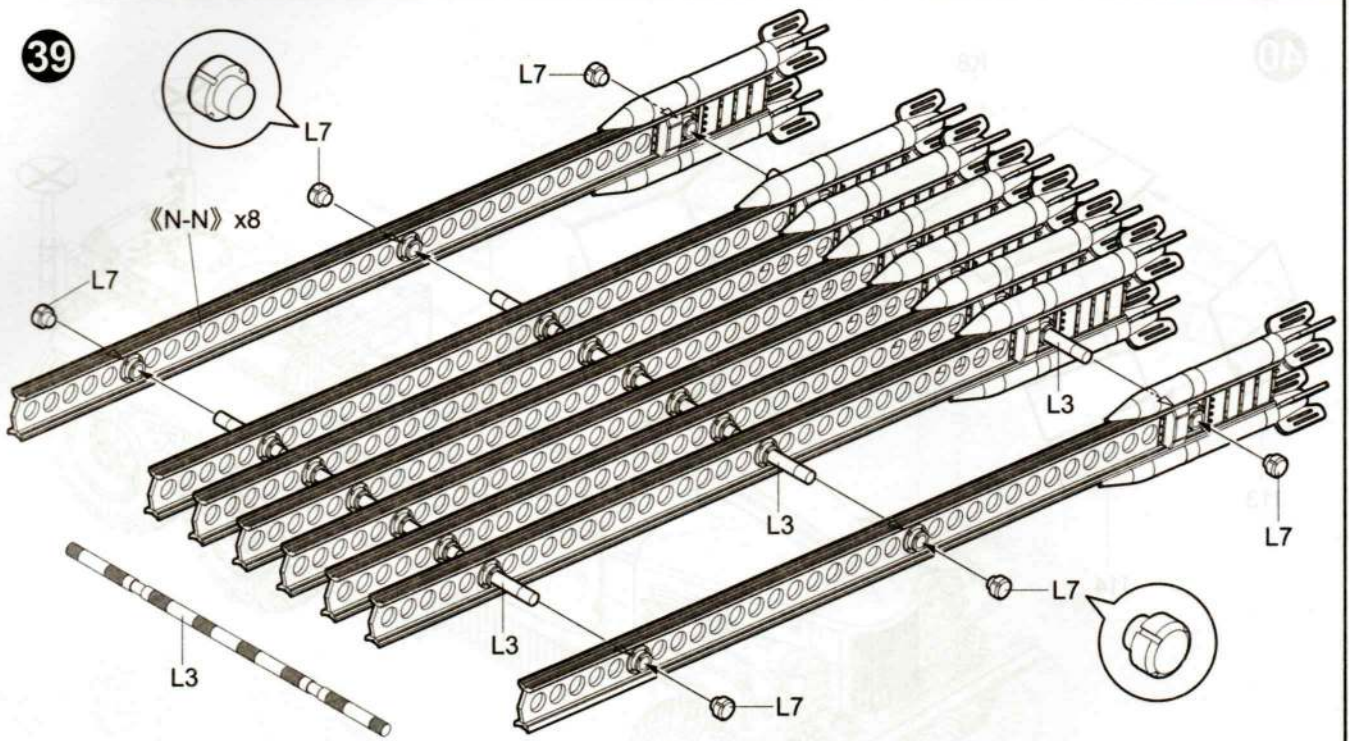
37



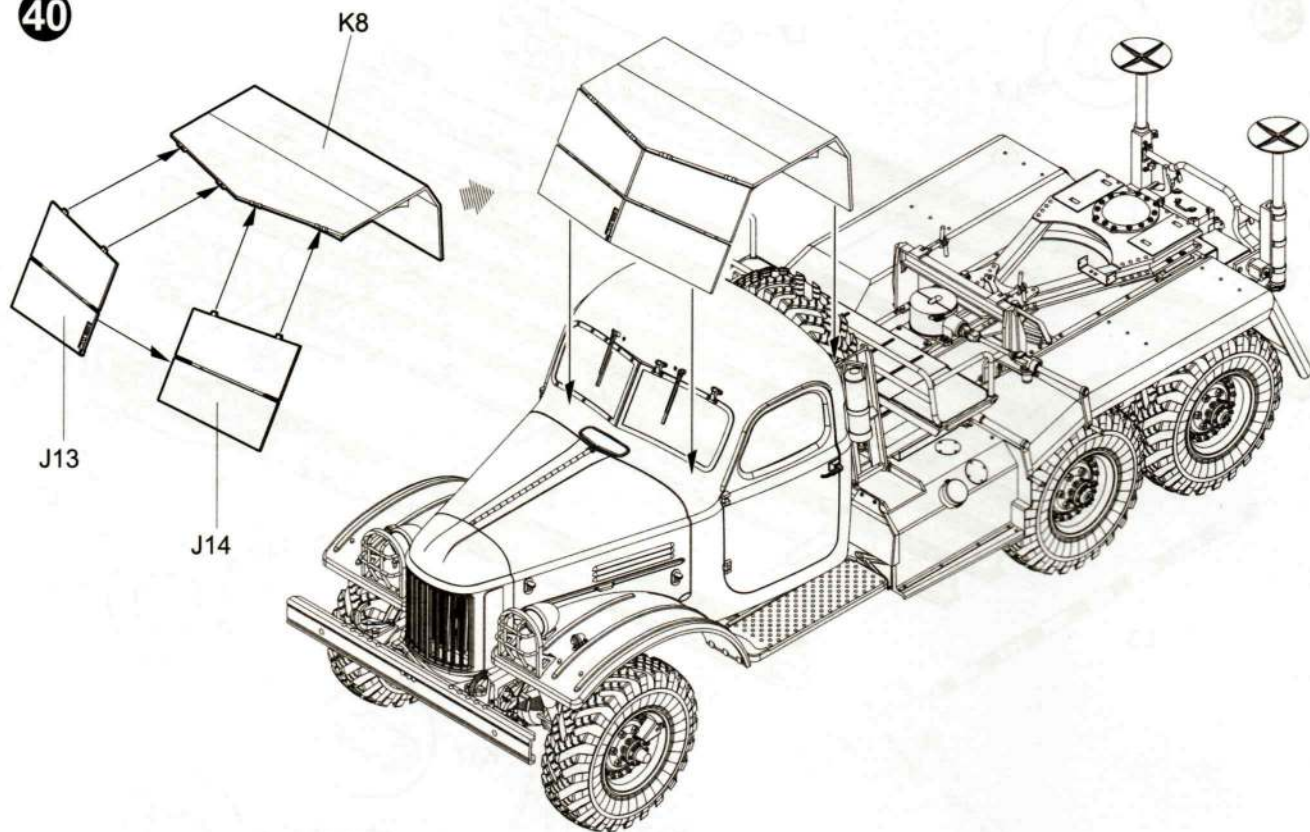
38



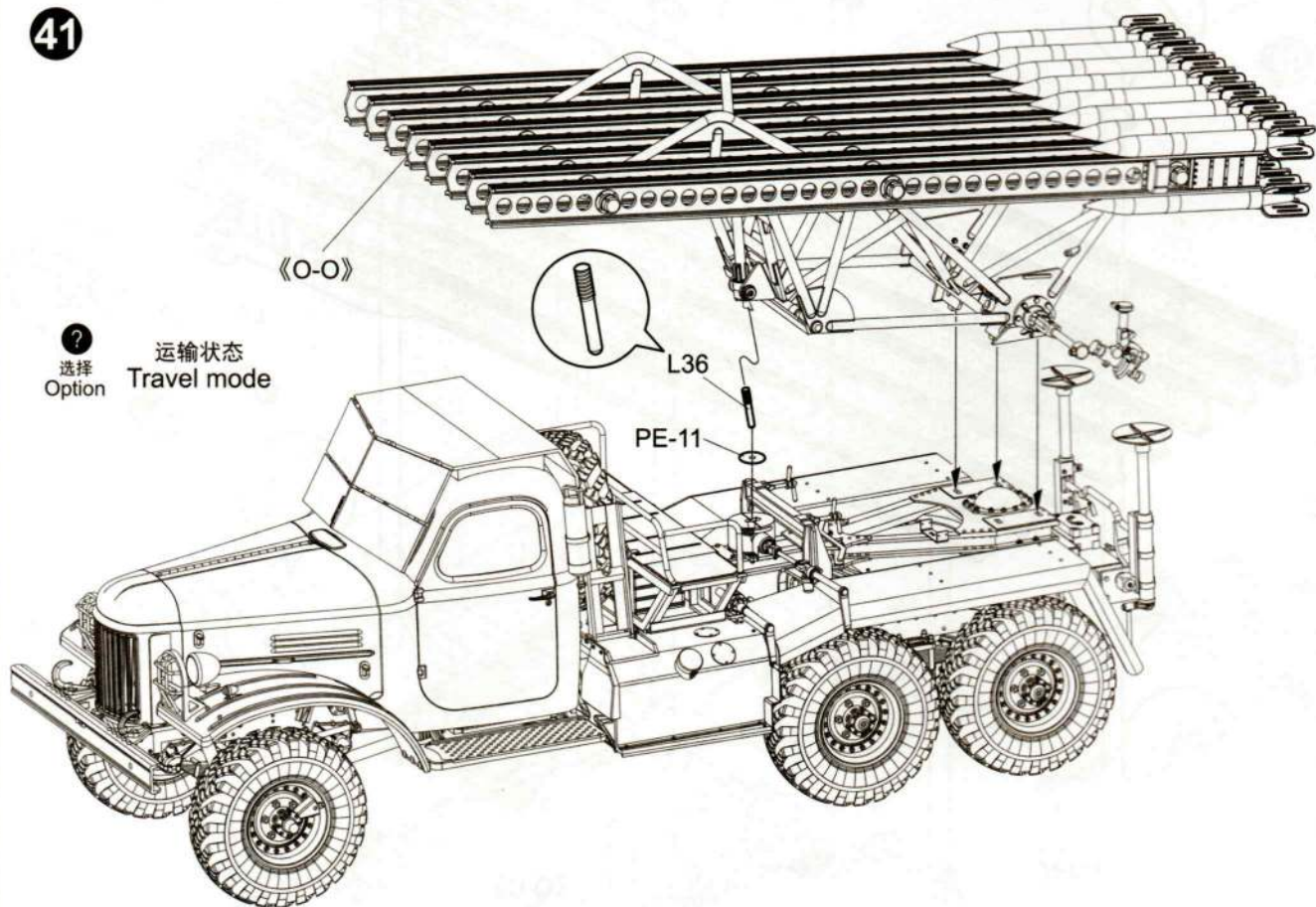
39



40



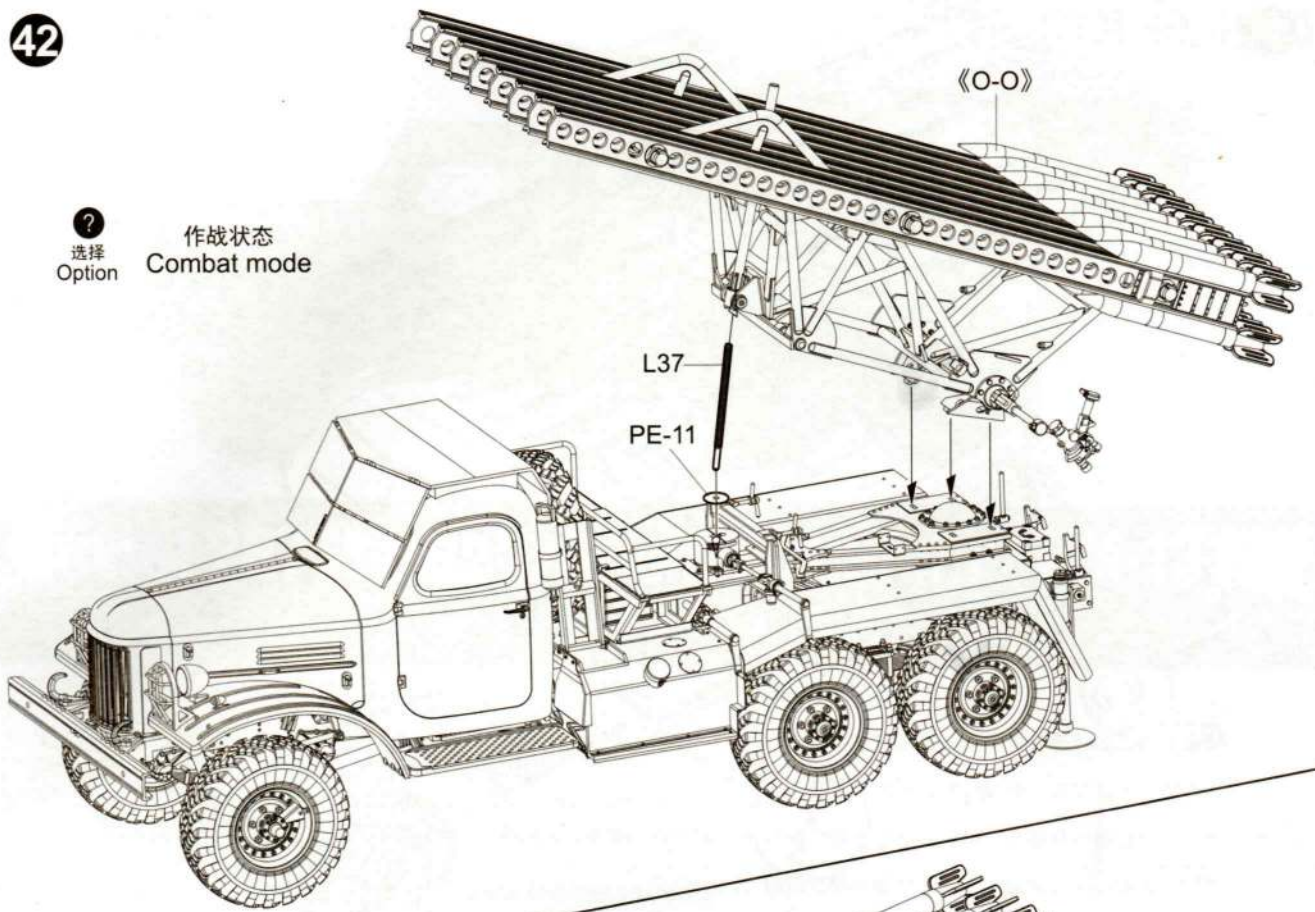
41



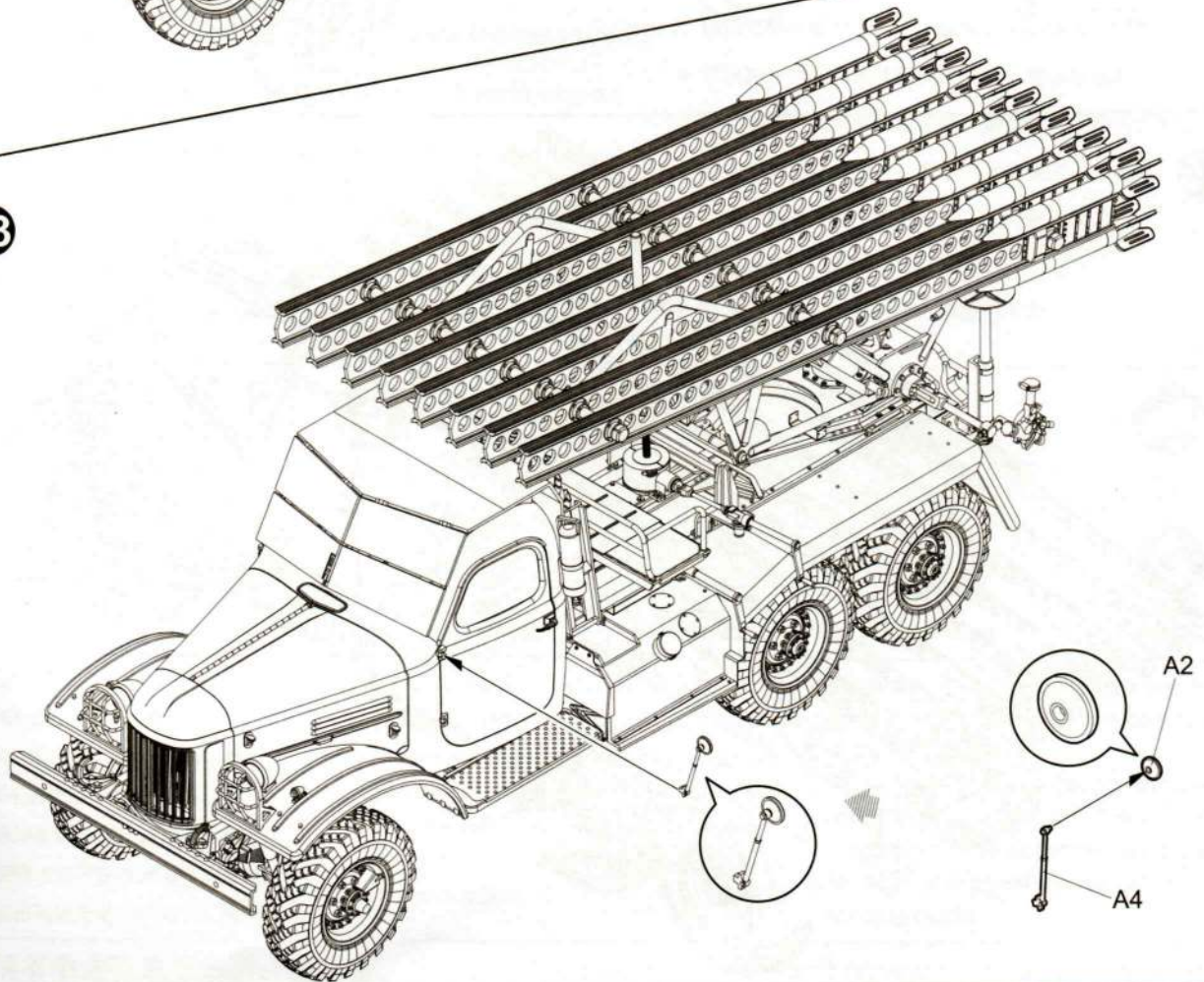
42

选择
Option

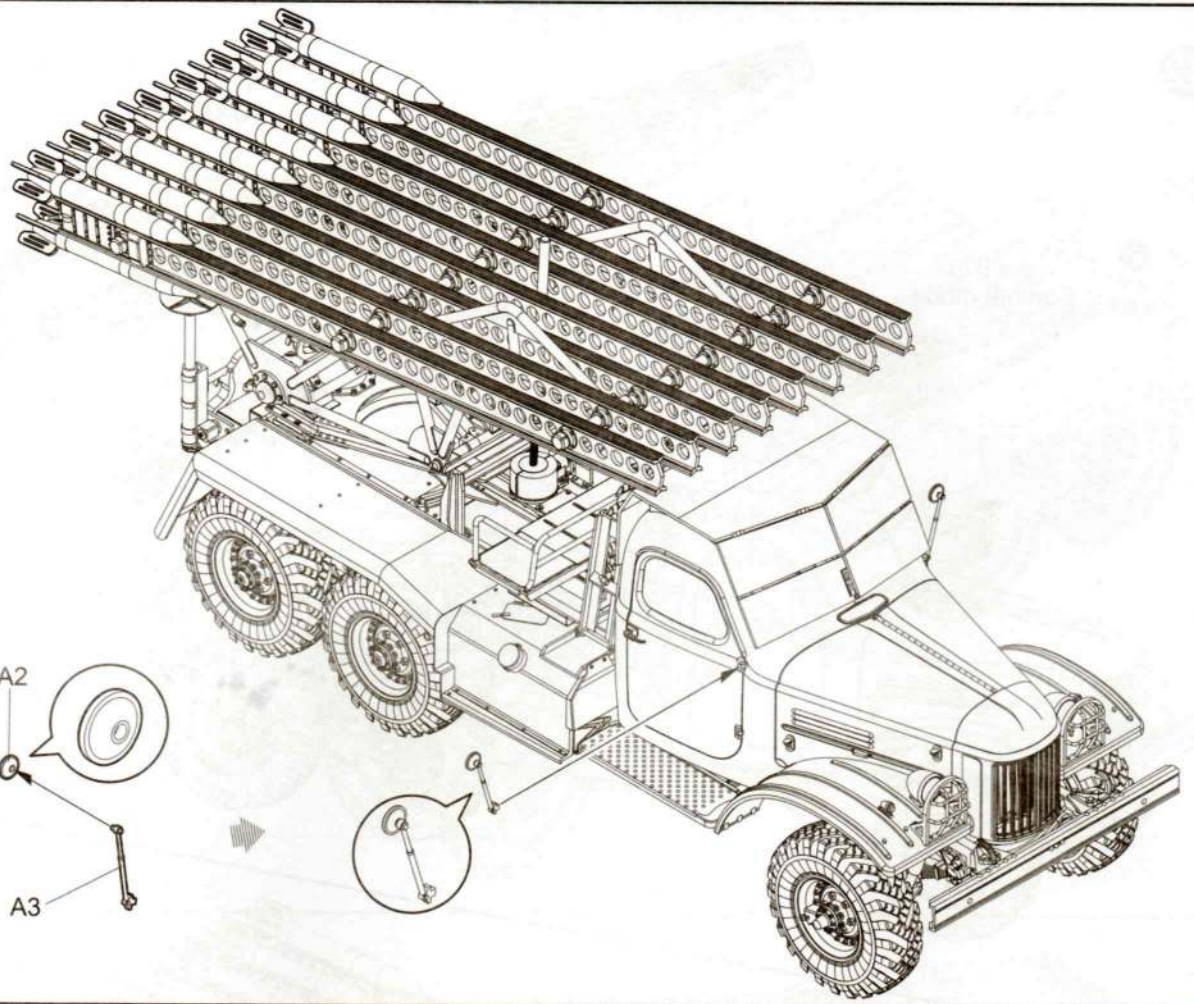
作战状态
Combat mode



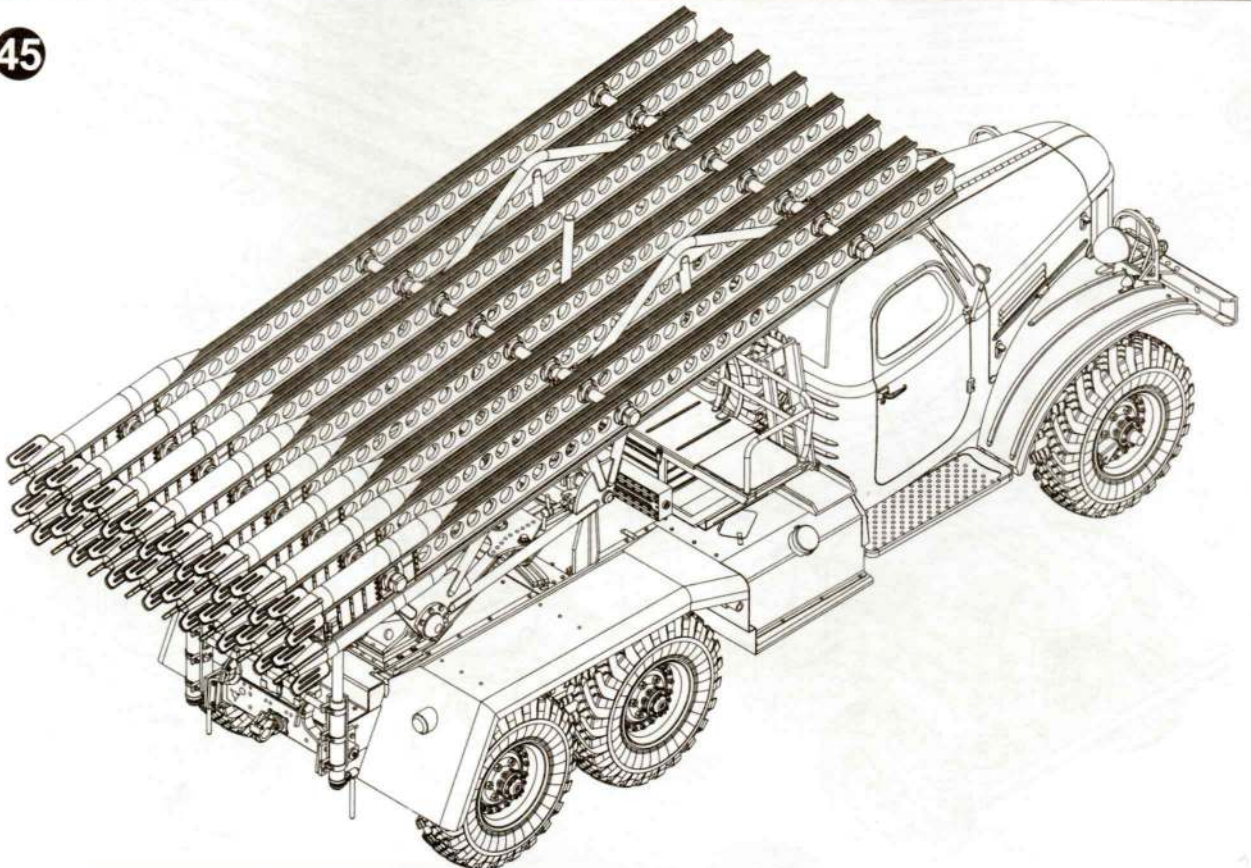
43



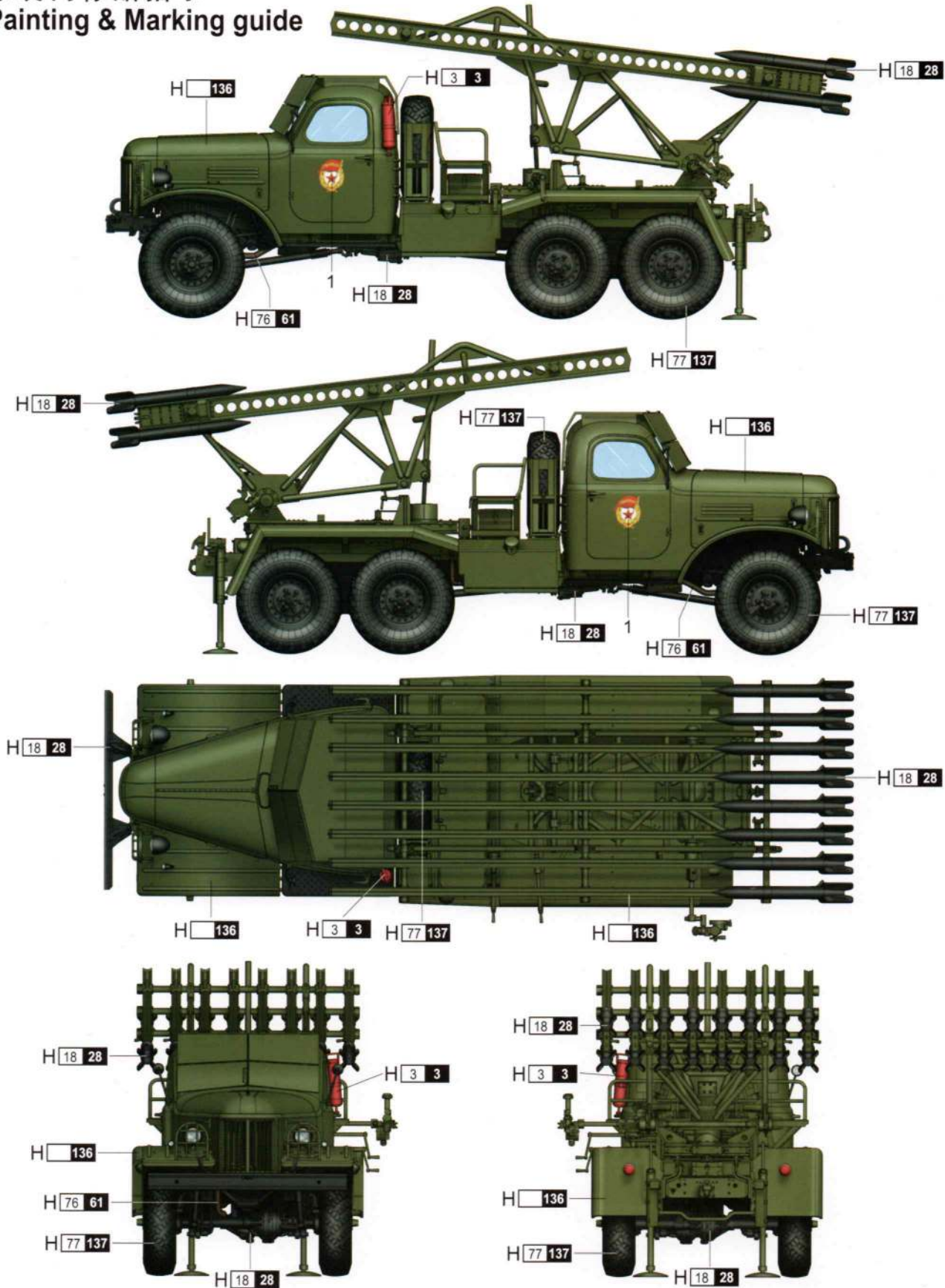
44



45



涂装同标贴指示 Painting & Marking guide



PAINT REFERENCE COLOR

Color	Mr.Hobby	Acrycion	Vallejo	Model Master	Tamiya	Humbrol	Color	Mr.Hobby	Acrycion	Vallejo	Model Master	Tamiya	Humbrol
Russian Green(2) 苏联绿	H 136	N	823	-	-	-	Burnt Iron 烧铁色	H 76 61	N 76	863	1795	X10	53
Steel 黑铁色	H 18 28	N 18	864	1402	XF84	-	Tire Black 胎黑色	H 77 137	N 77	-	-	XF85	-
Red 红色	H 3 3	N 3	908	1503	X7	19							

H AQUEOUS HOBBY COLOR Mr. COLOR N ACRYCION COLOR