

92088

Doflug 3802/3803

scale 1/72



During 1942, the A.G. für Dornierflugzeuge of Altenrhein received a contract to design a single-seat multi-role fighter to follow on production of the D-3801. The design emerged as the D-3802, and was a development of the Morane-Saulnier M.540.

Powered by an 1,250 hp Saurer YS-2 twelve-cylinder liquid-cooled engine, the D-3802 was of all-metal monocoque stressed-skin construction and carried an armament of one engine-mounted 20 mm cannon and four wing-mounted machine guns. The prototype flew for the first time on September 29, 1944.

A pre-series of twelve aircraft was ordered, designated D-3802A and s/n J-403 to J-414, these having modified outer wing panels of reduced span, but similar area, and the wing-mounted machine guns replaced by a pair of 0.787 in (20 mm) cannon. The first D-3802A flew on May 18, 1946, while J-405 was built as the prototype of the D-3803.

The eleven D-3802s served with Fliegerstaffel 17 until 1956. The prototype J-401 was also delivered to the Swiss AF, on January 1, 1948, and was withdrawn from use on February 17, 1956.

Span: 32 ft 10.5 in (10.02 m)

Length: 30 ft 6.375 in (9.31 m)

Height: 10 ft 11.5 in (3.34 m)

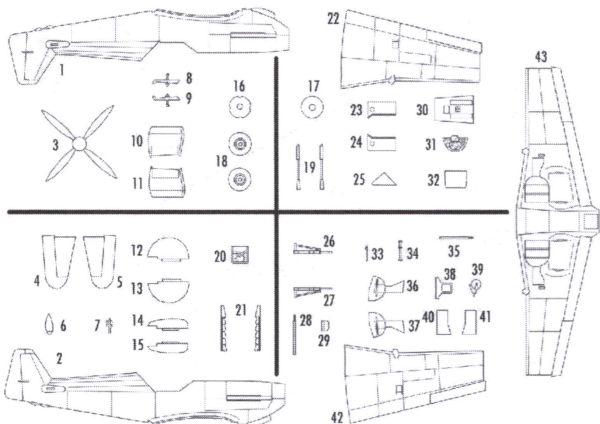
Wing area: 188.37 sq.ft (17.5 sq.m)

Weight empty: 5,500 lb (2,495 kg)

Loaded weight: 9,807 lb (4,450 kg)

Max speed: 391 mph (629 kmh) at 21,325 ft (6,500 m)

Climb: 2,795 ft (852 m)/min



CLEAR PARTS (CP)



CP1

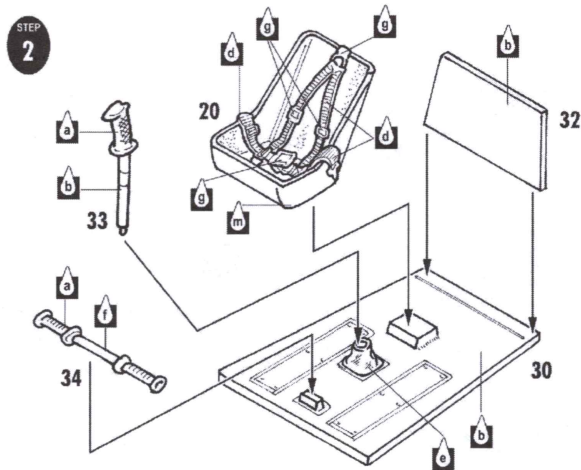
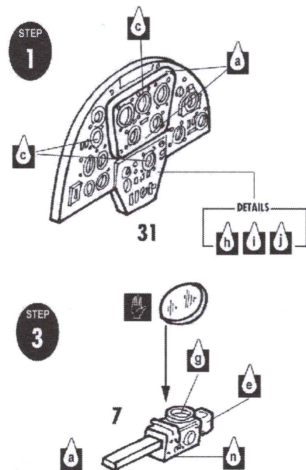


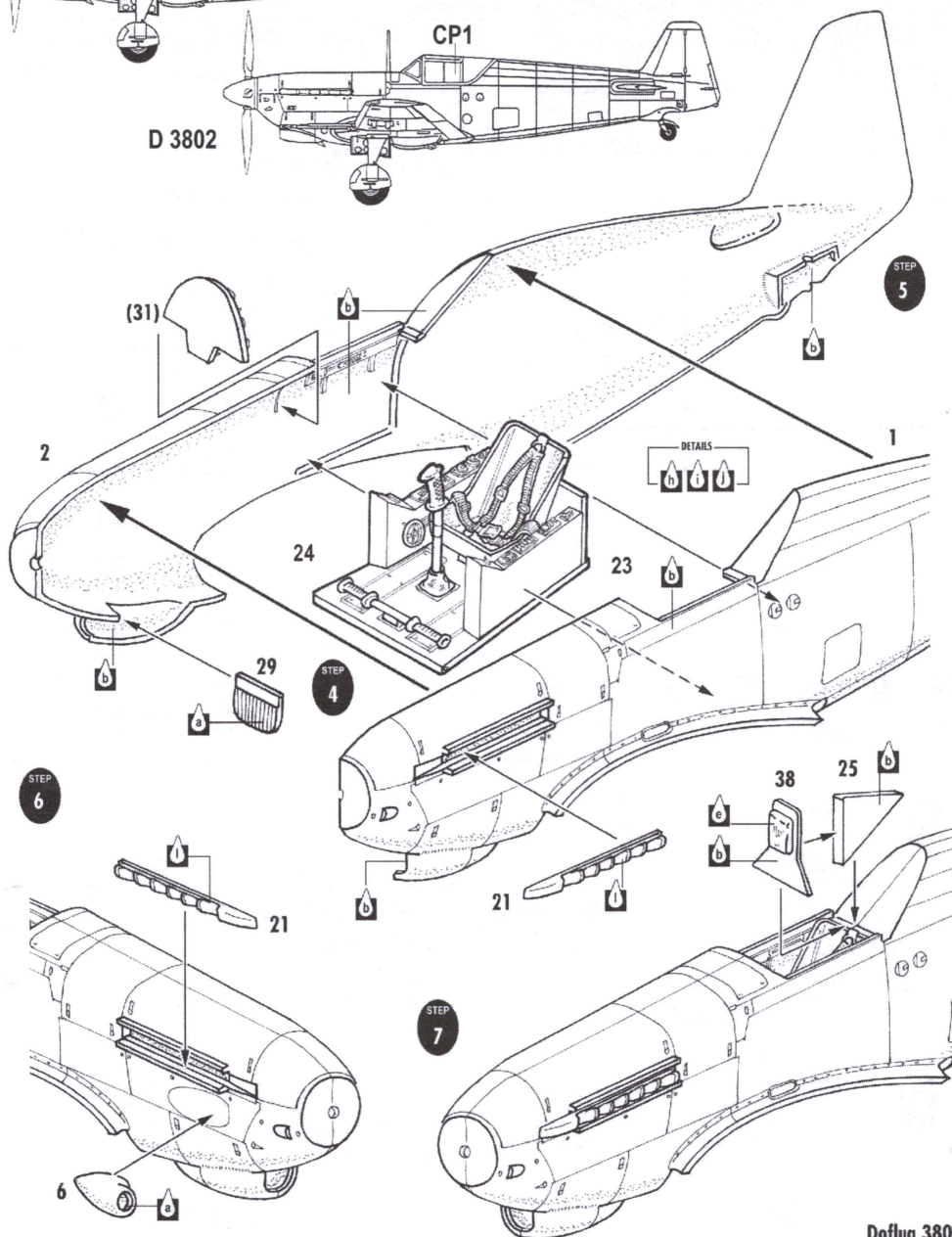
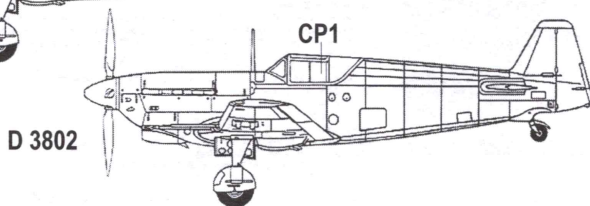
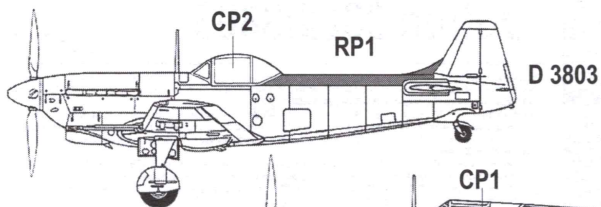
RP1

COLORS

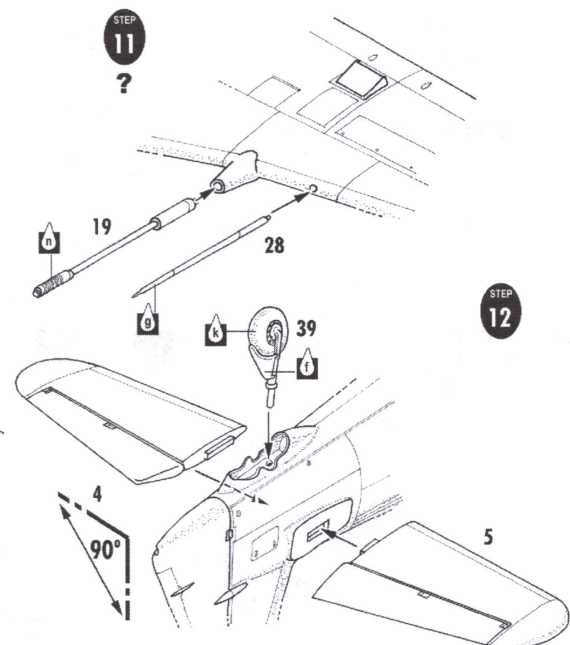
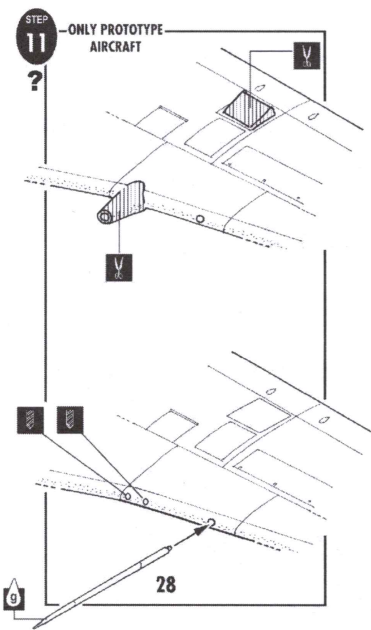
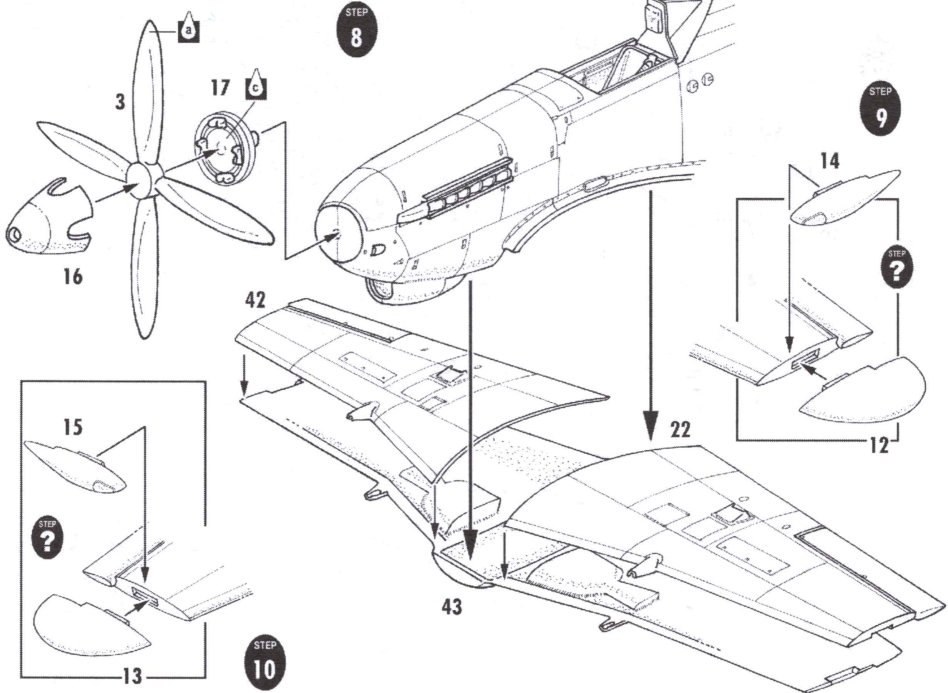
a	Černá Black	h	Červená Red
b	Světlá šedá Light Grey	i	Bílá White
c	Sříbrná Silver	j	Žlutá Yellow
d	Přímo Linen	k	Pneumatiky Tyres Black
e	Kůže Leather	l	Rezavý Rust
f	Hliníková Aluminium	m	Tmavá šedá Dark Grey
g	Chromová Chrome	n	Kovová Gun metal

- ohnout / bend
- vstřícné lepidlo / cyanoacrylate glue
- odstranit / remove
- upravit / reduce
- vrtat / open hole
- vyrobit / sctrach build
- (D) / obtisk / decal
- barva / color
- (F) / film

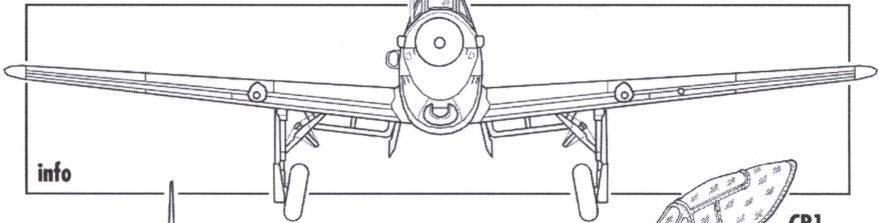
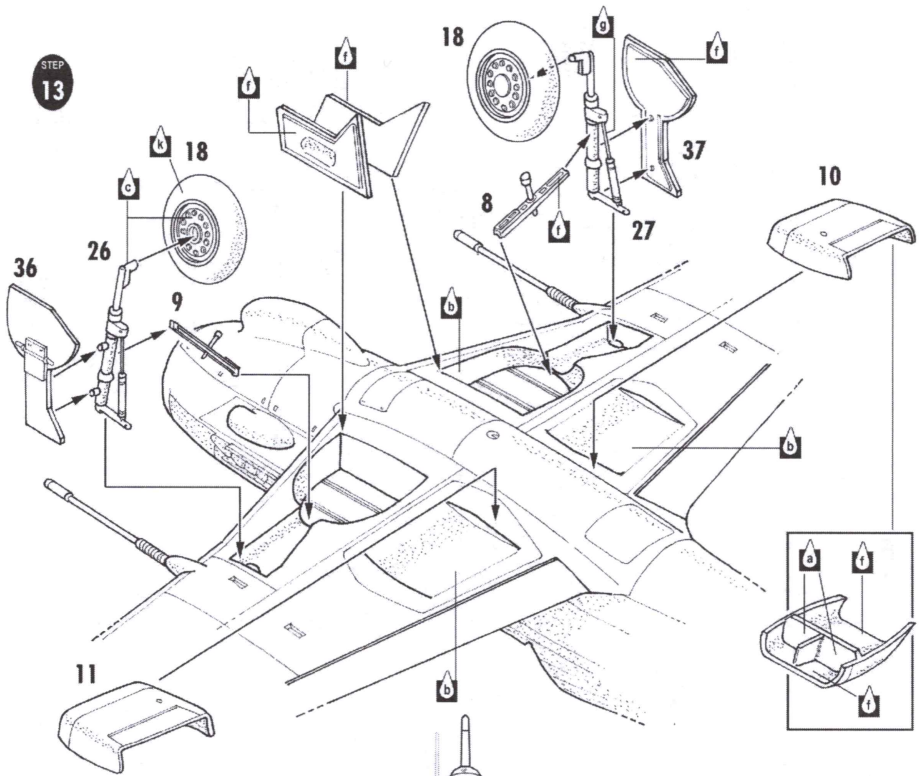




Doflug 3802



STEP
13

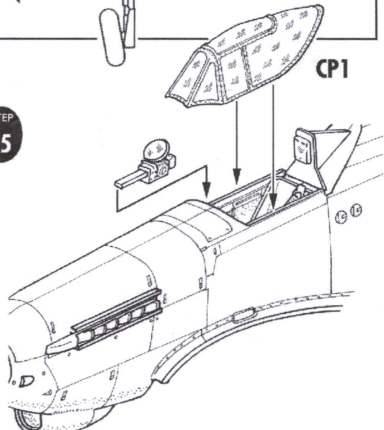
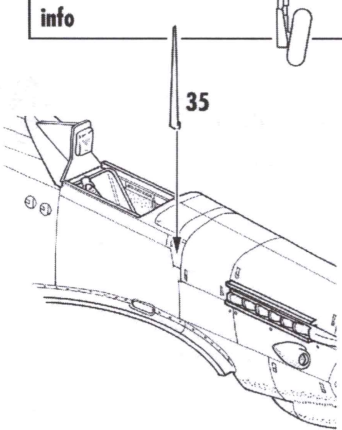


info

35

STEP
14

STEP
15



J-401

J-401

J-405

J-405

J-403

J-403



92088
D.3802

10



16



9



13

8



5

2



12



6

14

14

05

17

05

15

15



5

8

3

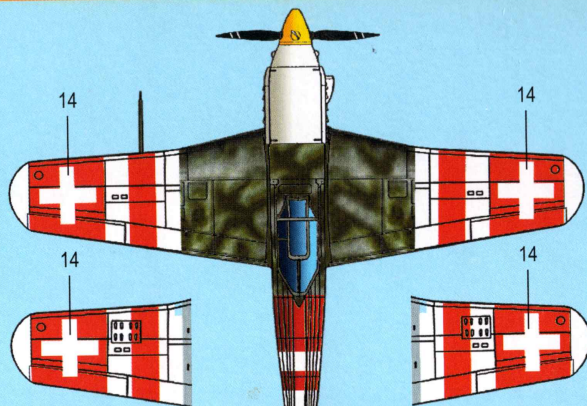
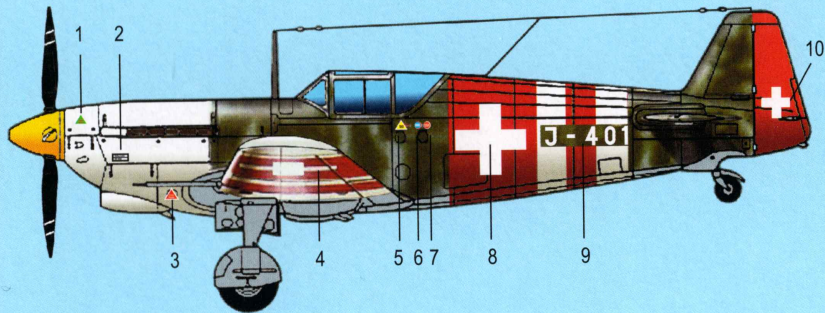


1



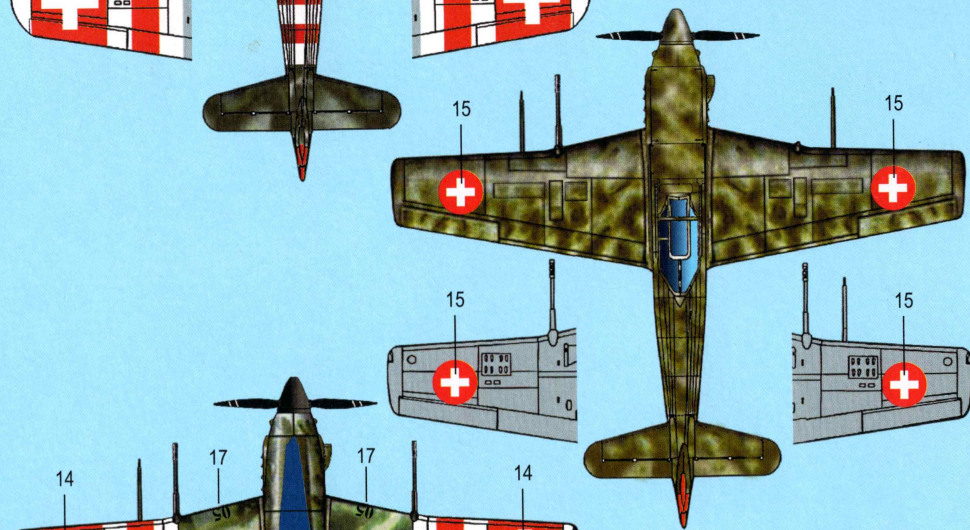
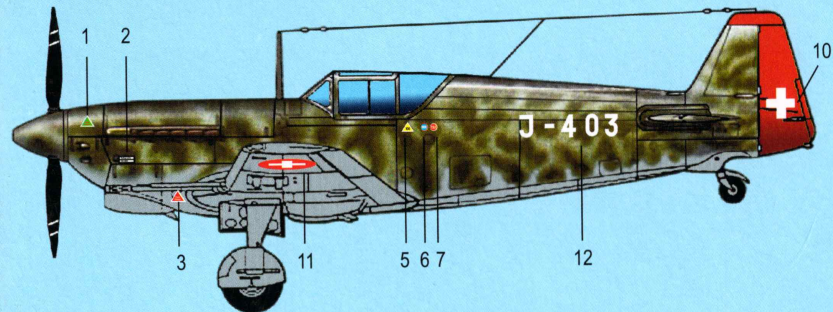
7

1 Doflug Do 3802, J-401, 1st Prototype, 1944



- světle šedá / Light grey
- světle šedá/light grey
- tmavě zelená / Light green
- tmavě zelená / Dark green
- žlutá / Yellow
- červená / Red
- bílá / White
- tmavě modrá / Dark blue

2 Doflug Do 3802, J-403, Dübendorf Airfield



3 Doflug Do 3803, J-405, UeG St. 17, 1950

