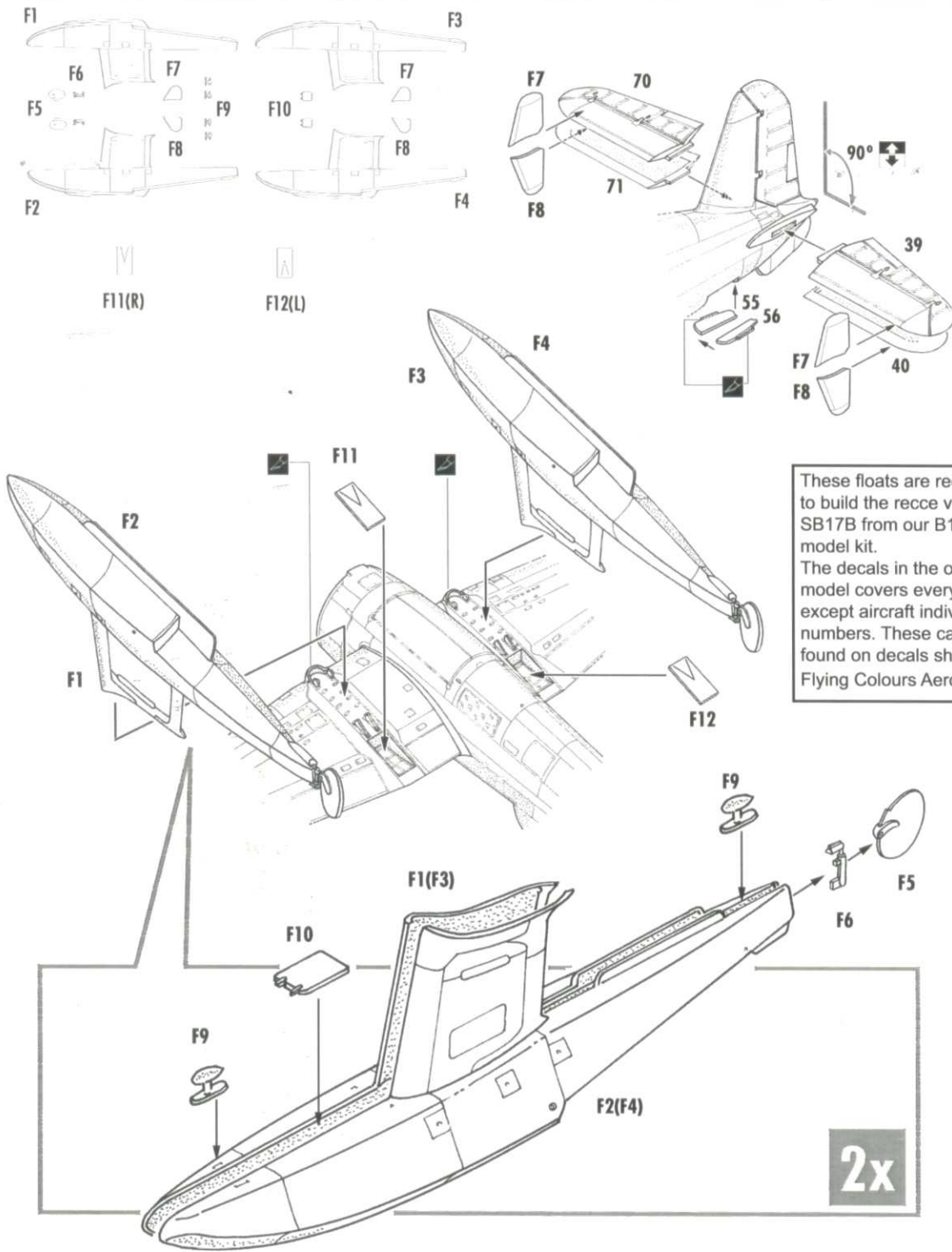


SAAB 17 FLOATS

Scale 1/48



These floats are required to build the recce version SB17B from our B17B model kit. The decals in the original model covers everything, except aircraft individual numbers. These can be found on decals sheet from Flying Colours Aerodecals.