

eduard.

**LIMITED
EDITION**



MARAUDER

B-26F/G

INSTRUCTION SHEET

1/72

2146-NAV1

ATTENTION



UPOZORNĚNÍ



ACHTUNG



ATTENTION



注意



Carefully read instruction sheet before assembling. When you use glue or paint, do not use near open flame and use in well ventilated room. Keep out of reach of small children. Children must not be allowed to suck any part, or pull vinyl bag over the head.



Před započítím stavby si pečlivě prostudujte stavební návod. Při používání barev a lepidel pracujte v dobře větrané místnosti. Lepidla ani barvy nepoužívejte v blízkosti otevřeného ohně. Model není určen malým dětem, mohlo by dojít k požití drobných dílů.

INSTRUCTION SIGNS * INSTR. SYMBOLS * INSTRUKTION SINNBILDEN * SYMBOLES * 記号の説明

OPTIONAL
VOLBABEND
OHNOUTSAND
BROUSITOPEN HOLE
VYVRTAT OTVORSYMETRICAL ASSEMBLY
SYMETRICKÁ MONTÁŽREMOVE
ODŘÍZNOUTREVERSE SIDE
OTOČITAPPLY EDUARD MASK
AND PAINT
POUŽIT EDUARD MASK
NABARVITPLEASE CHECK THE LATEST VERSION OF THE INSTRUCTIONS ON www.eduard.com

PARTS



DÍLY



TEILE

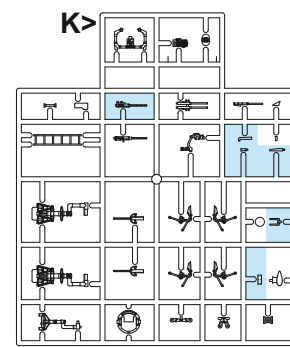
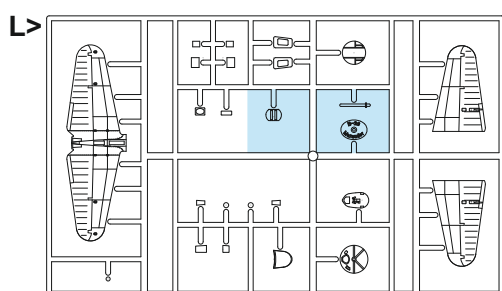
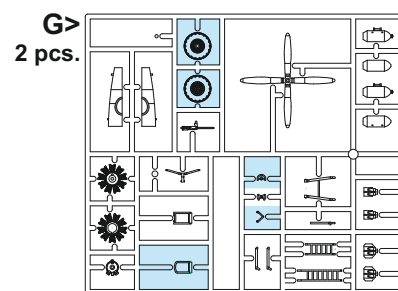
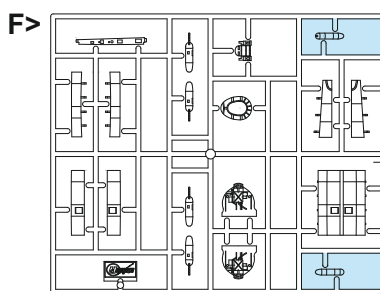
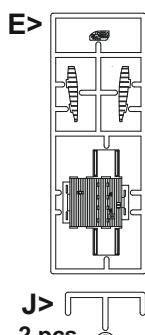
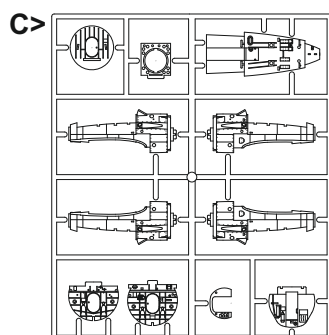
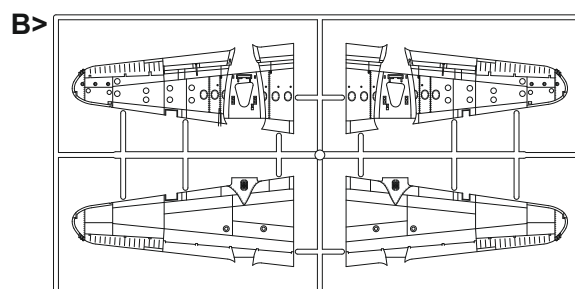
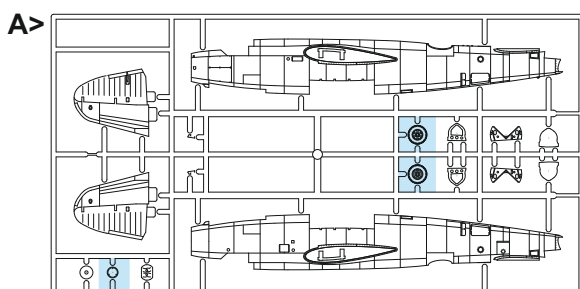
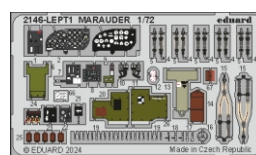


PIÈCES

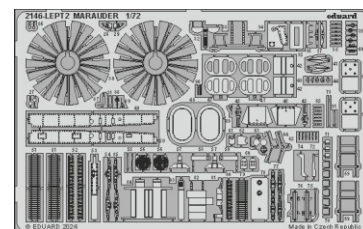


部品

PLASTIC PARTS

PE - PHOTO ETCHED
DETAIL PARTS

RP - RESIN PARTS



-Parts not for use. -Teile werden nicht verwendet. -Pièces à ne pas utiliser. -Tyto díly nepoužívejte při stavbě. - 使用しない部品

COLOURS



BARVY



FARBEN



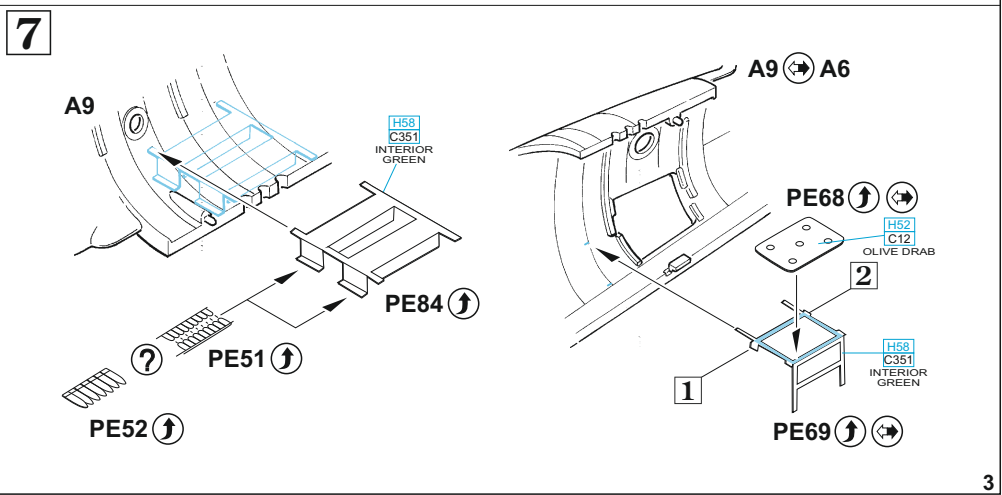
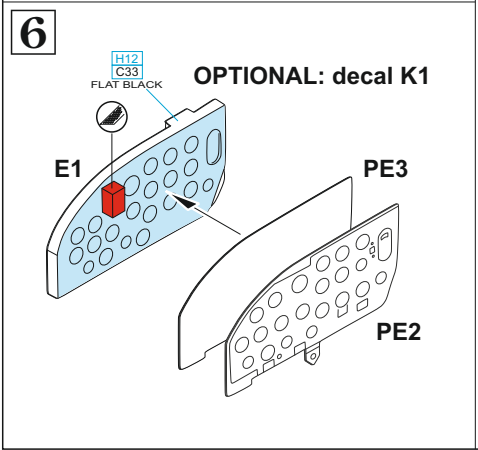
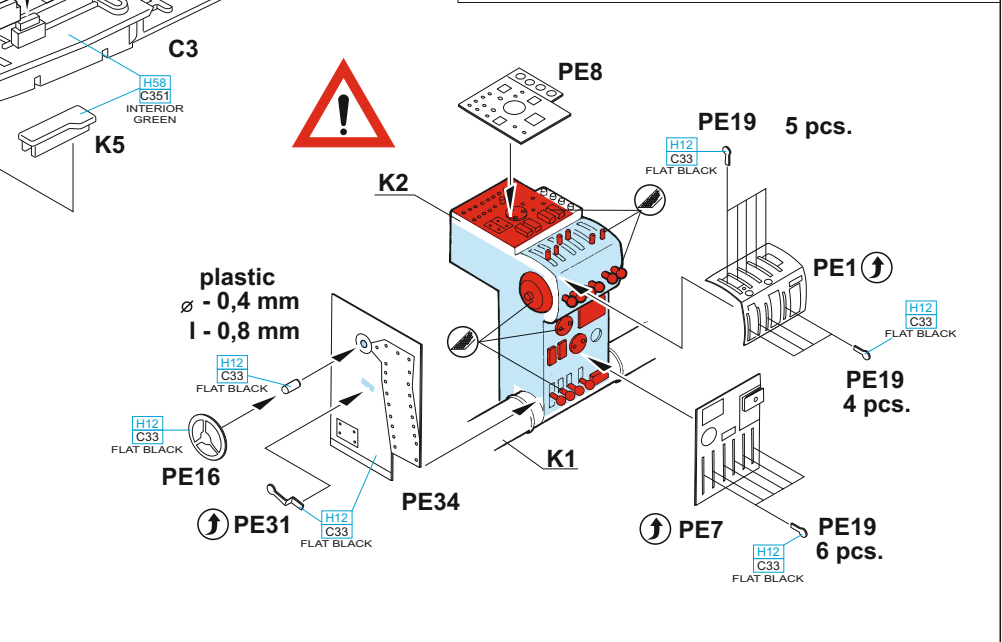
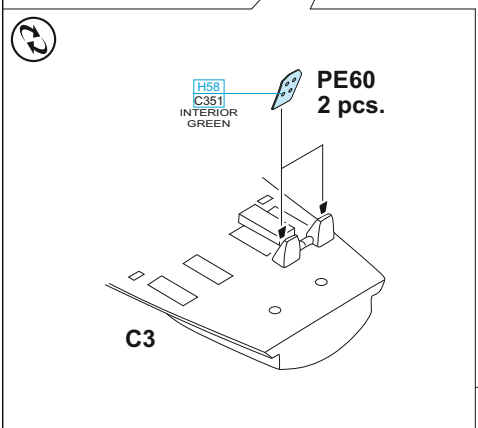
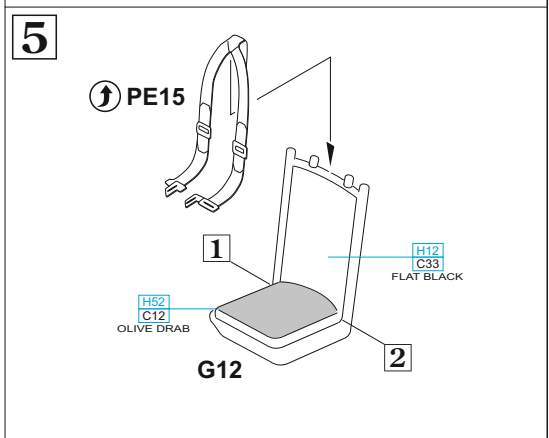
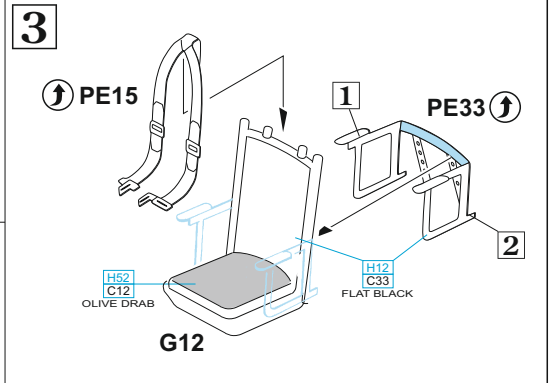
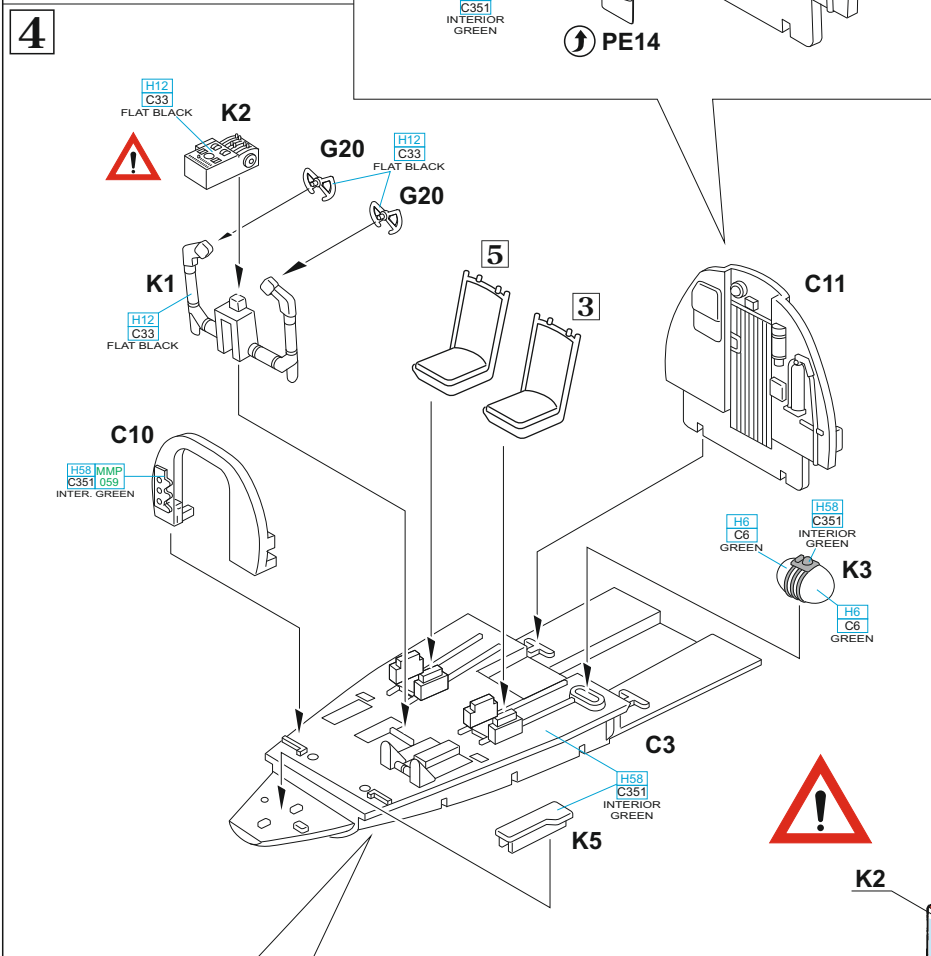
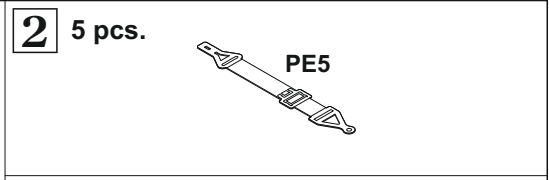
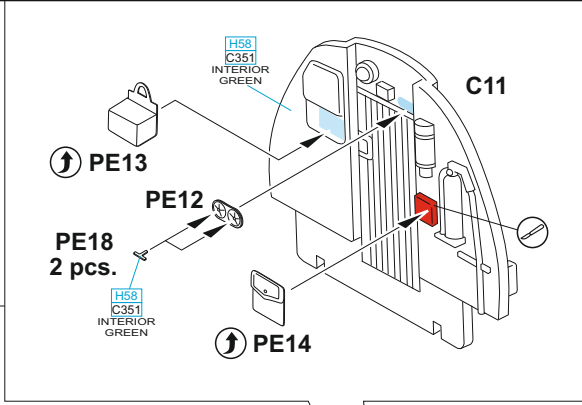
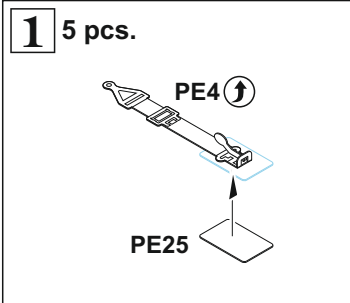
PEINTURE

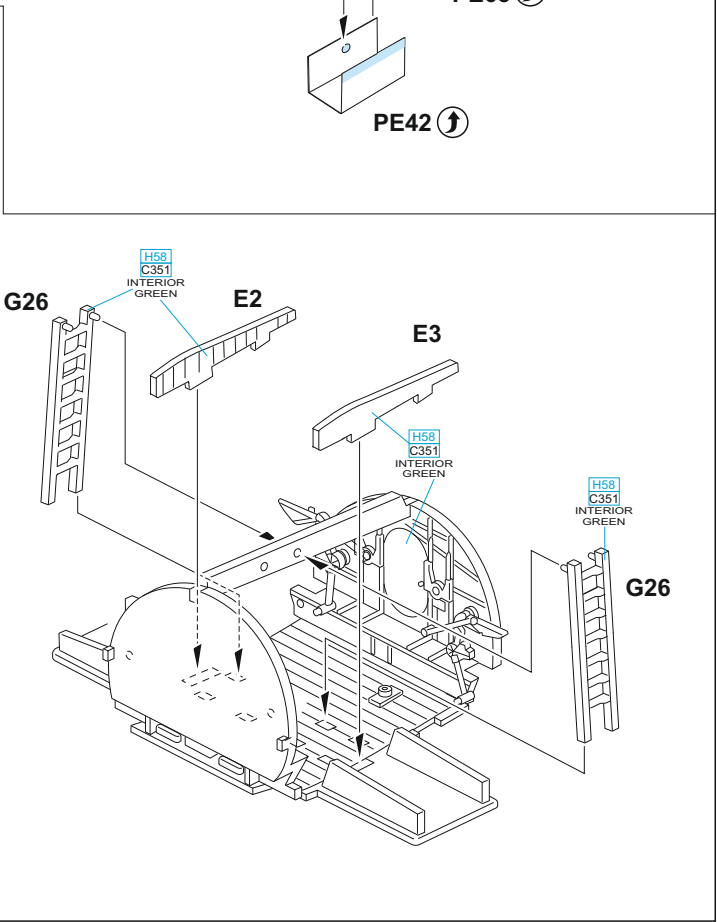
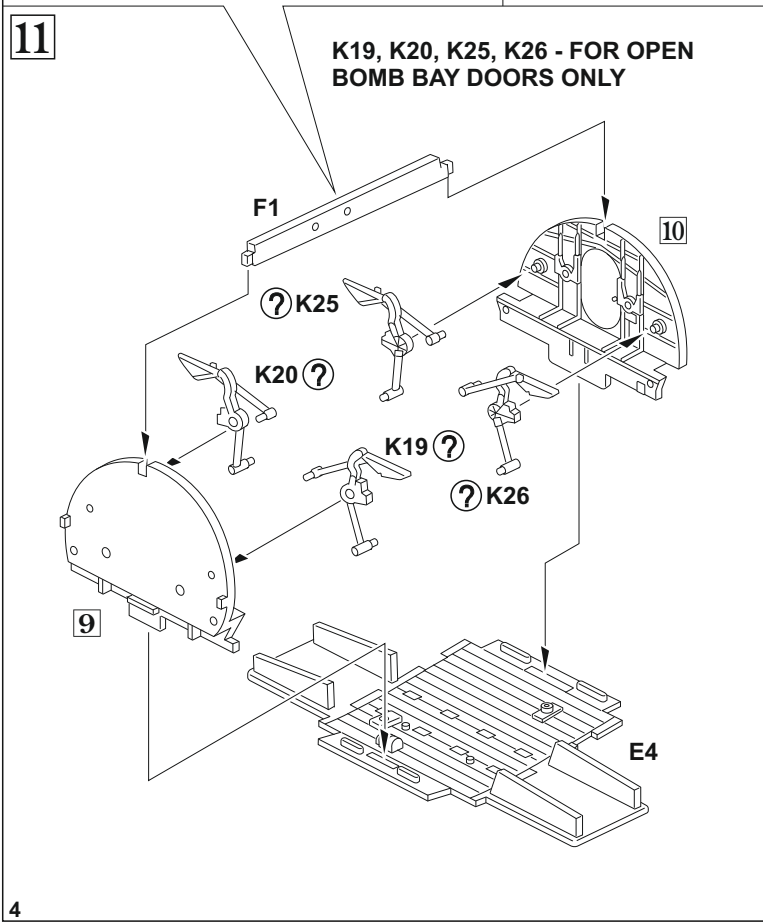
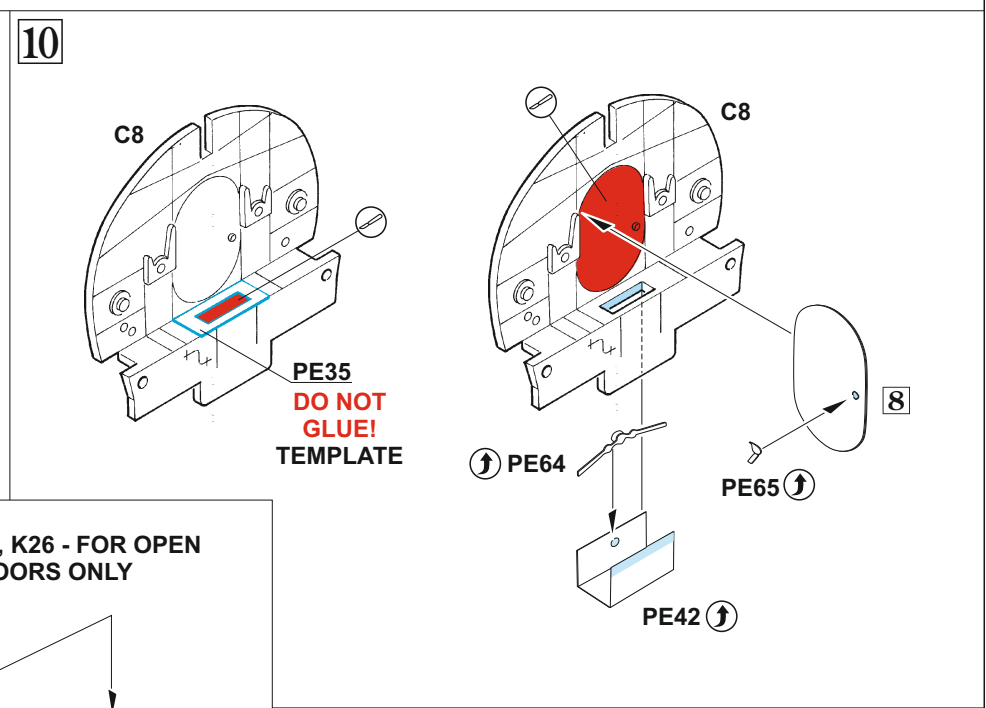
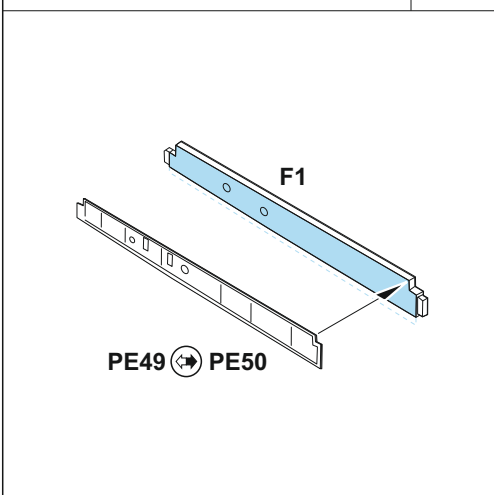
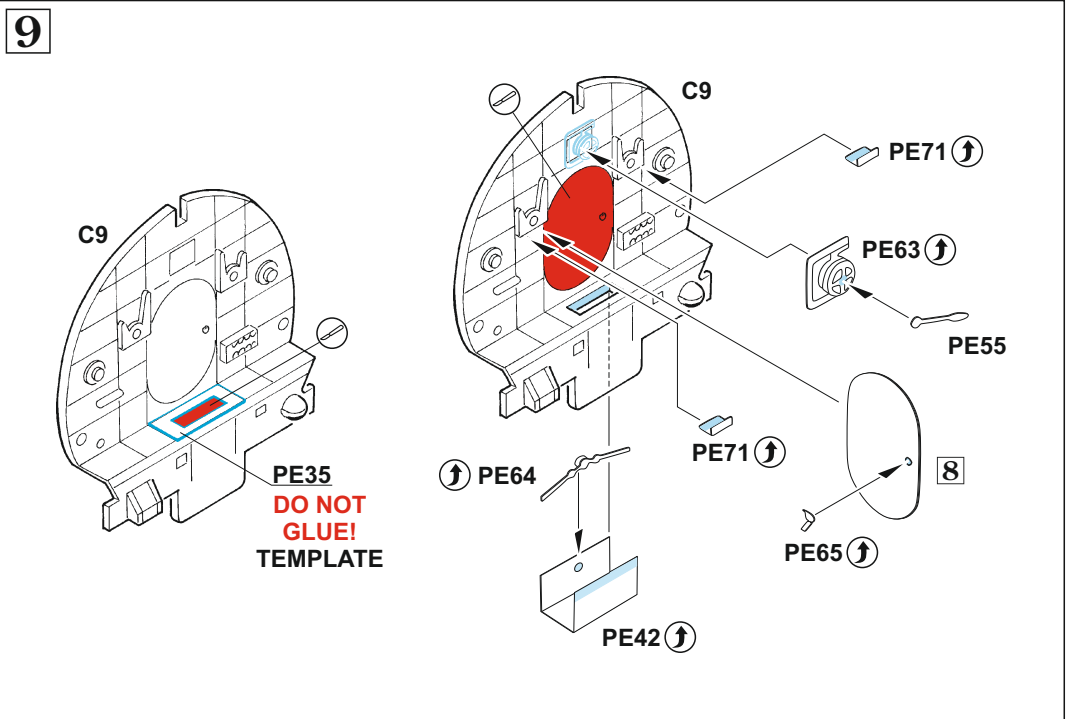
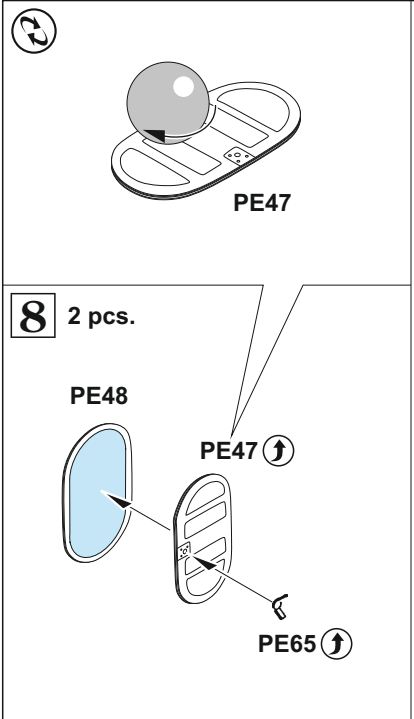


色

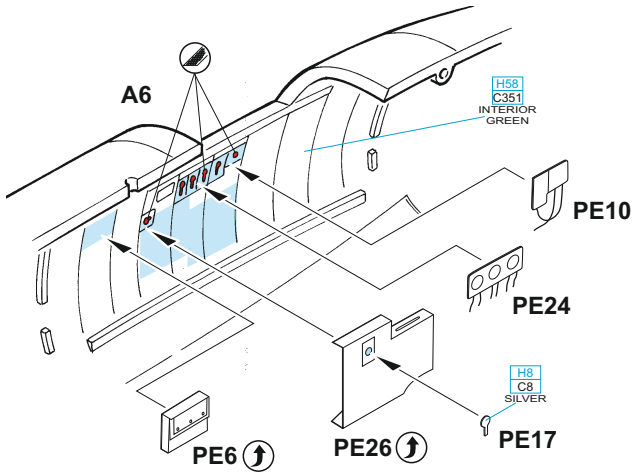
GSI Creos (GUNZE)		
AQUEOUS	Mr.COLOR	
H1	C1	WHITE
H6	C6	GREEN
H8	C8	SILVER
H11	C62	FLAT WHITE
H12	C33	FLAT BLACK
H52	C12	OLIVE DRAB
H58	C351	INTERIOR GREEN
H77	C137	TIRE BLACK
H80	C54	KHAKI GREEN
H90	C47	CLEAR RED

GSI Creos (GUNZE)		
AQUEOUS	Mr.COLOR	
H91	C48	CLEAR YELLOW
H94	C138	CLEAR GREEN
H306	C306	MEDIUM GRAY
H323	C323	LIGHT BLUE
H327	C329	YELLOW
H329	C327	RED
Mr.METAL COLOR		
	MC214	DARK IRON
Mr.COLOR SUPER METALLIC		
	SM201	SUPER FINE SILVER

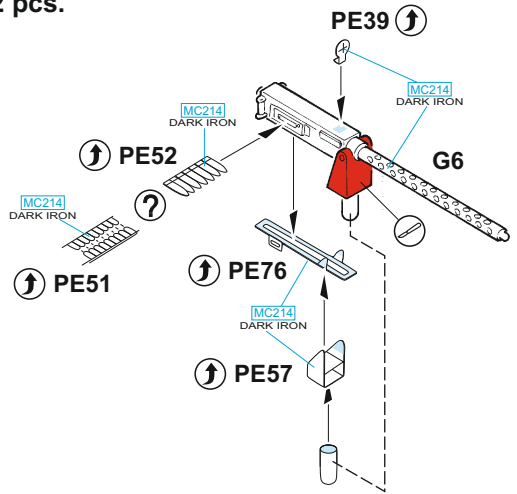




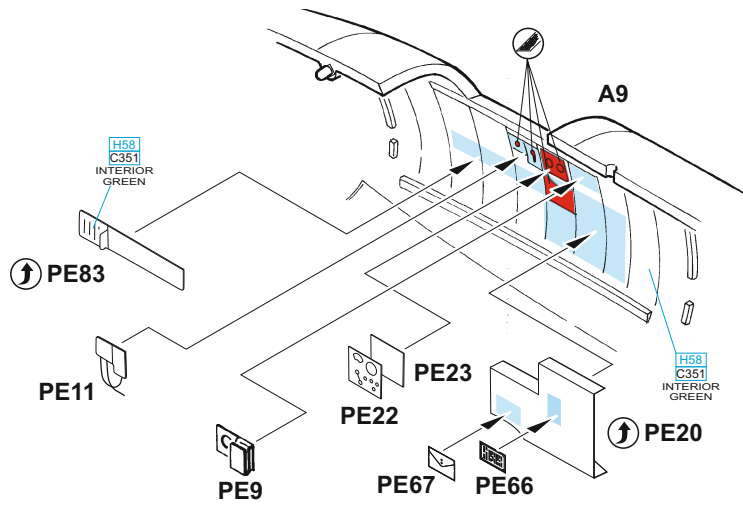
12



13 2 pcs.

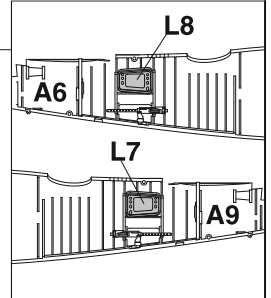


14

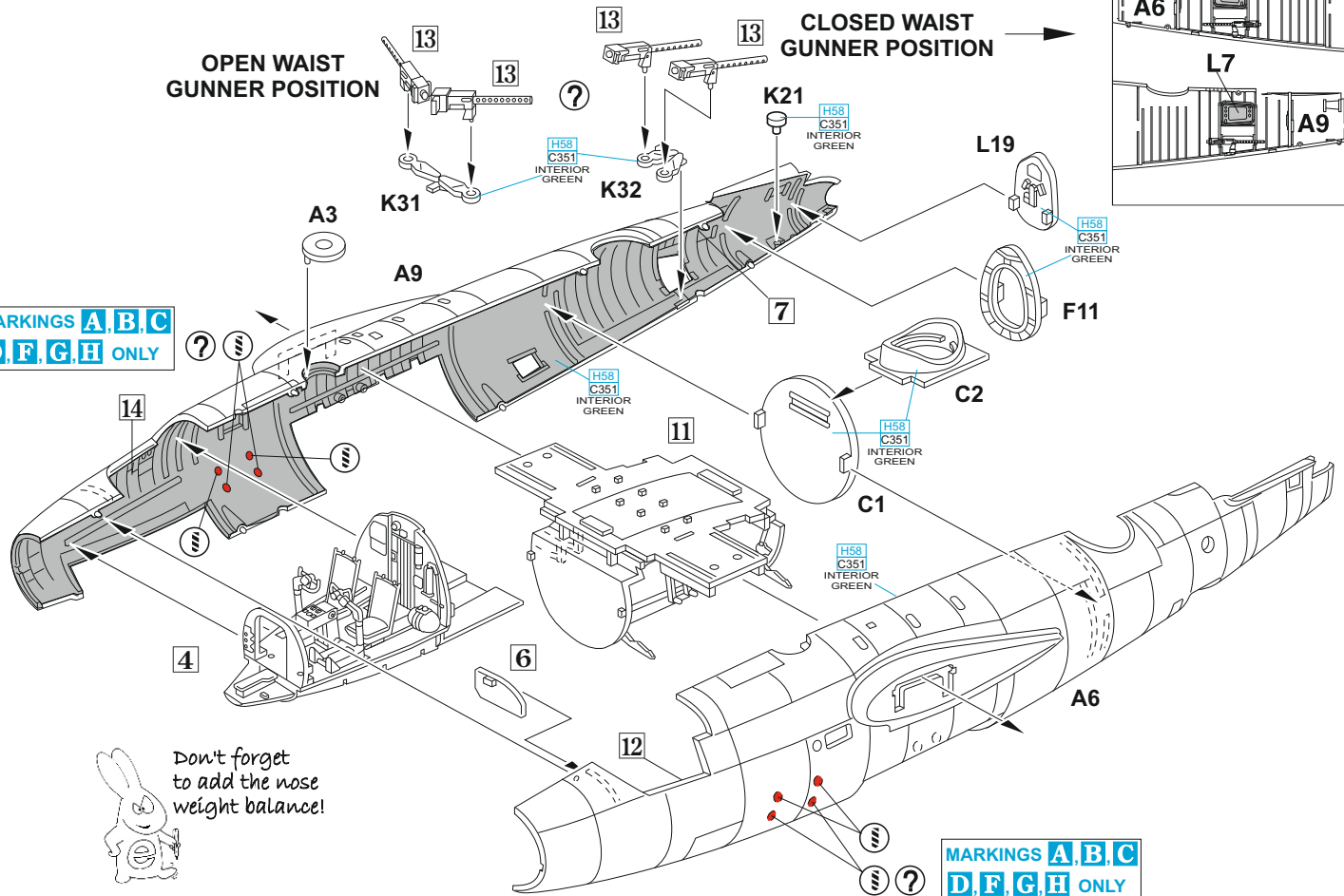


OPEN WAIST GUNNER POSITION

CLOSED WAIST GUNNER POSITION



MARKINGS A,B,C
D,F,G,H ONLY

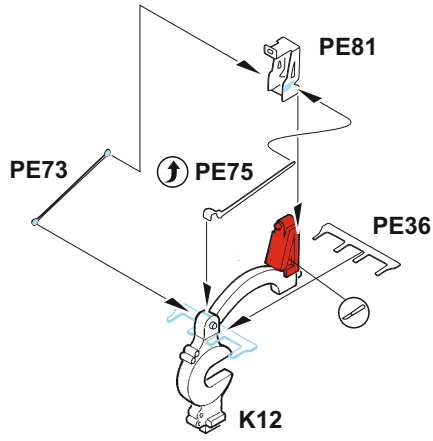


Don't forget
to add the nose
weight balance!

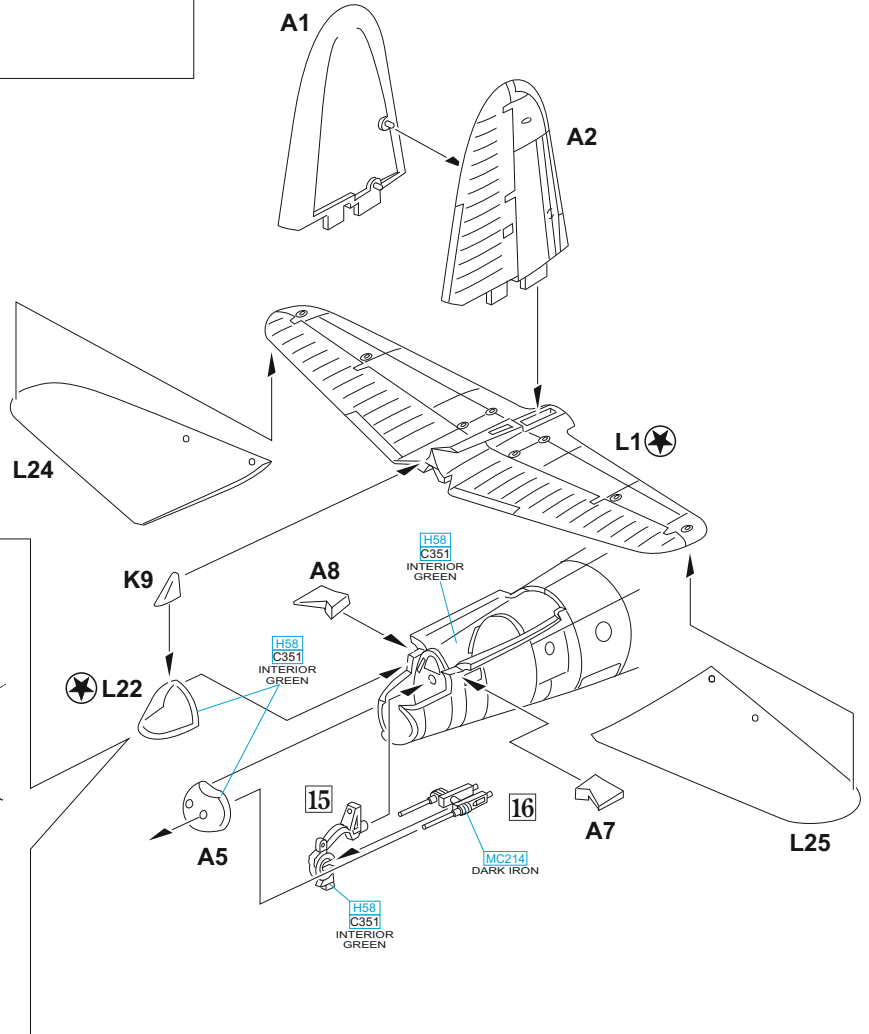
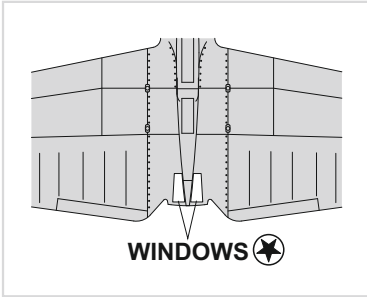
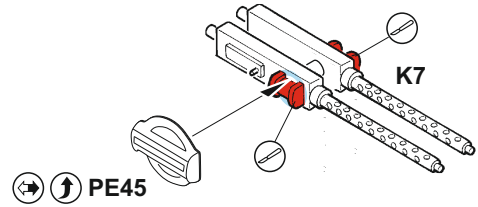


MARKINGS A,B,C
D,F,G,H ONLY

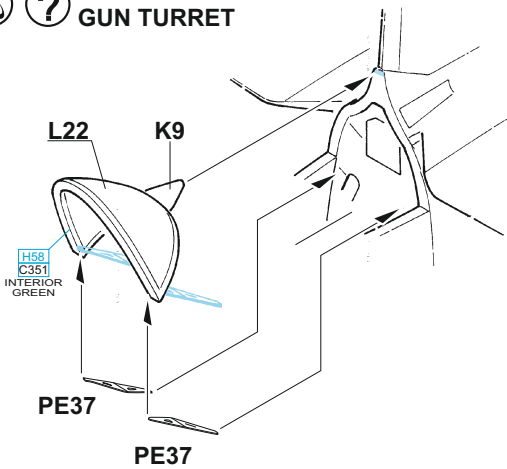
15



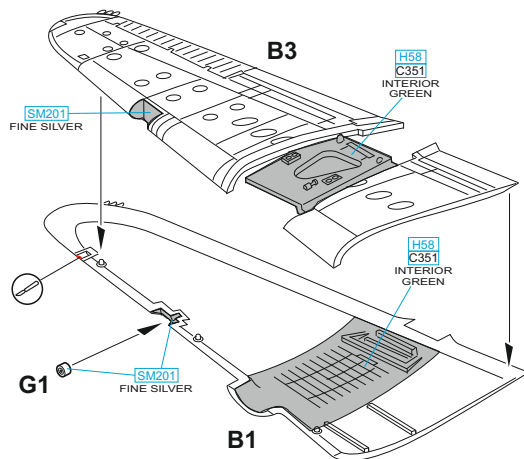
16



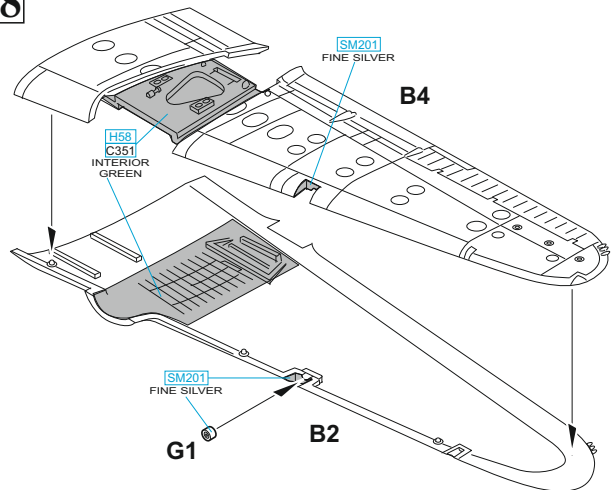
OPEN REAR GUN TURRET



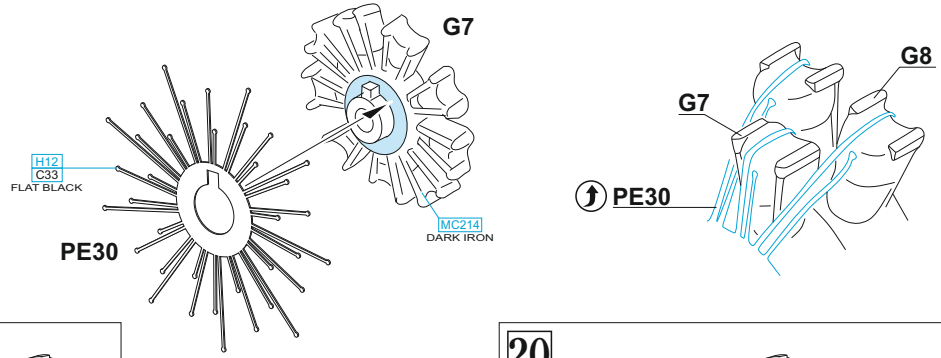
17



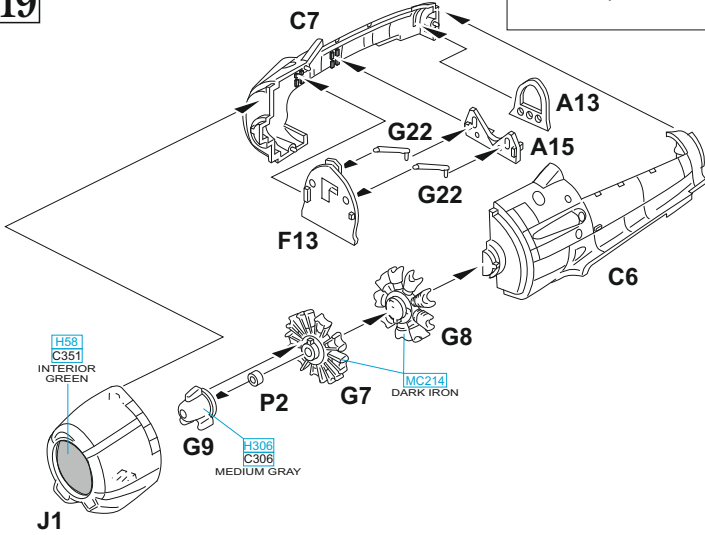
18



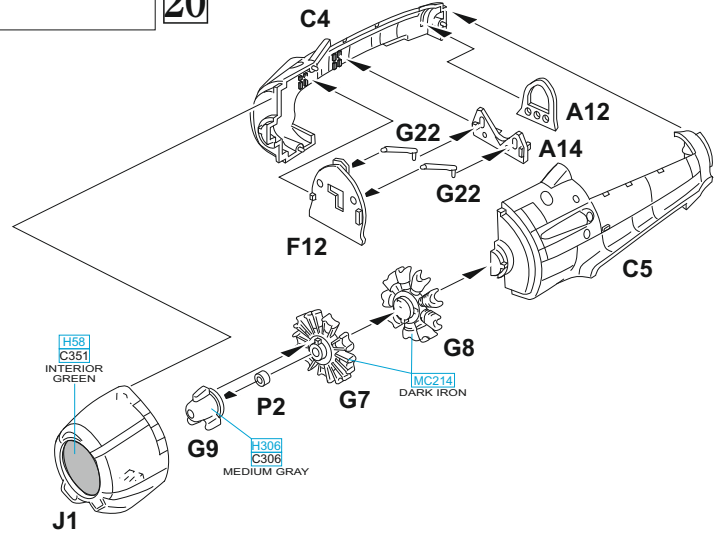
2 pcs.



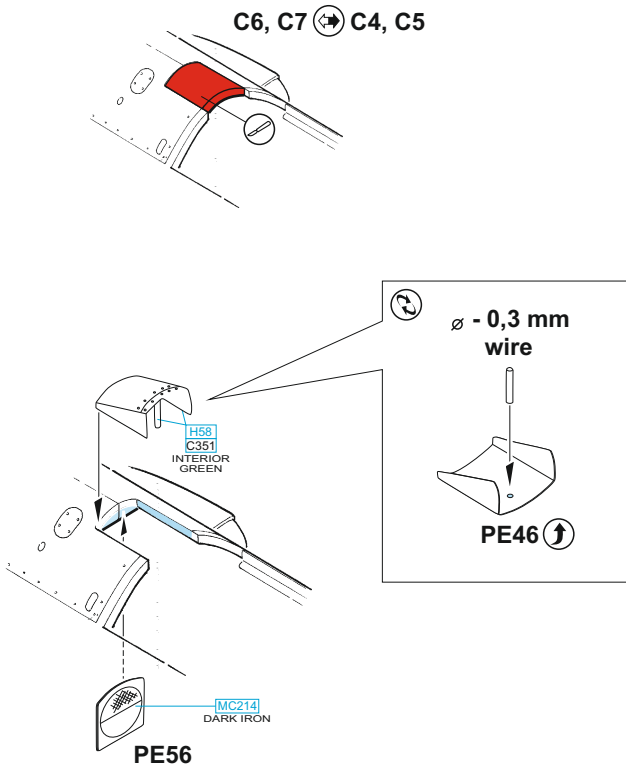
19



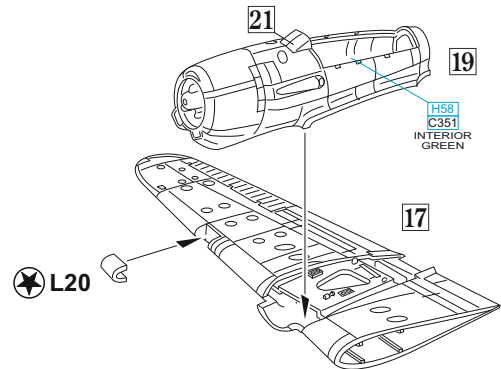
20



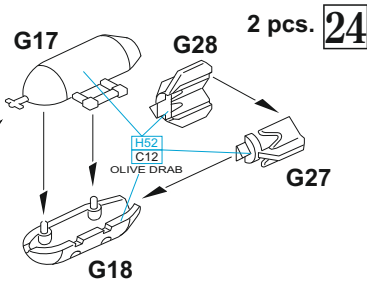
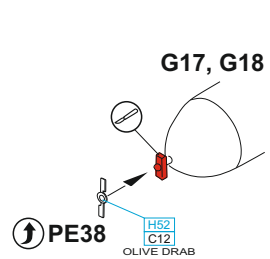
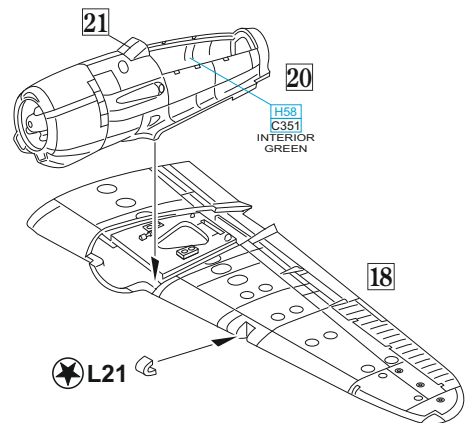
21 2 pcs.



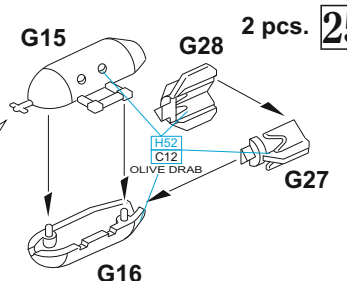
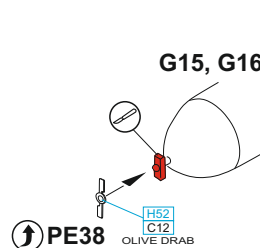
22



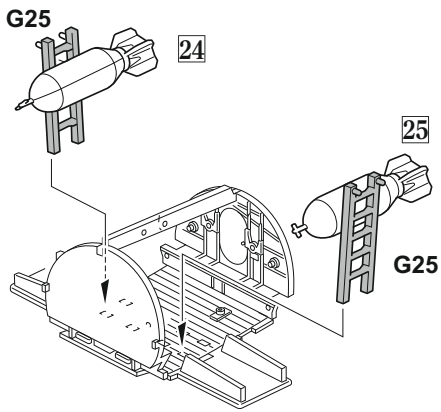
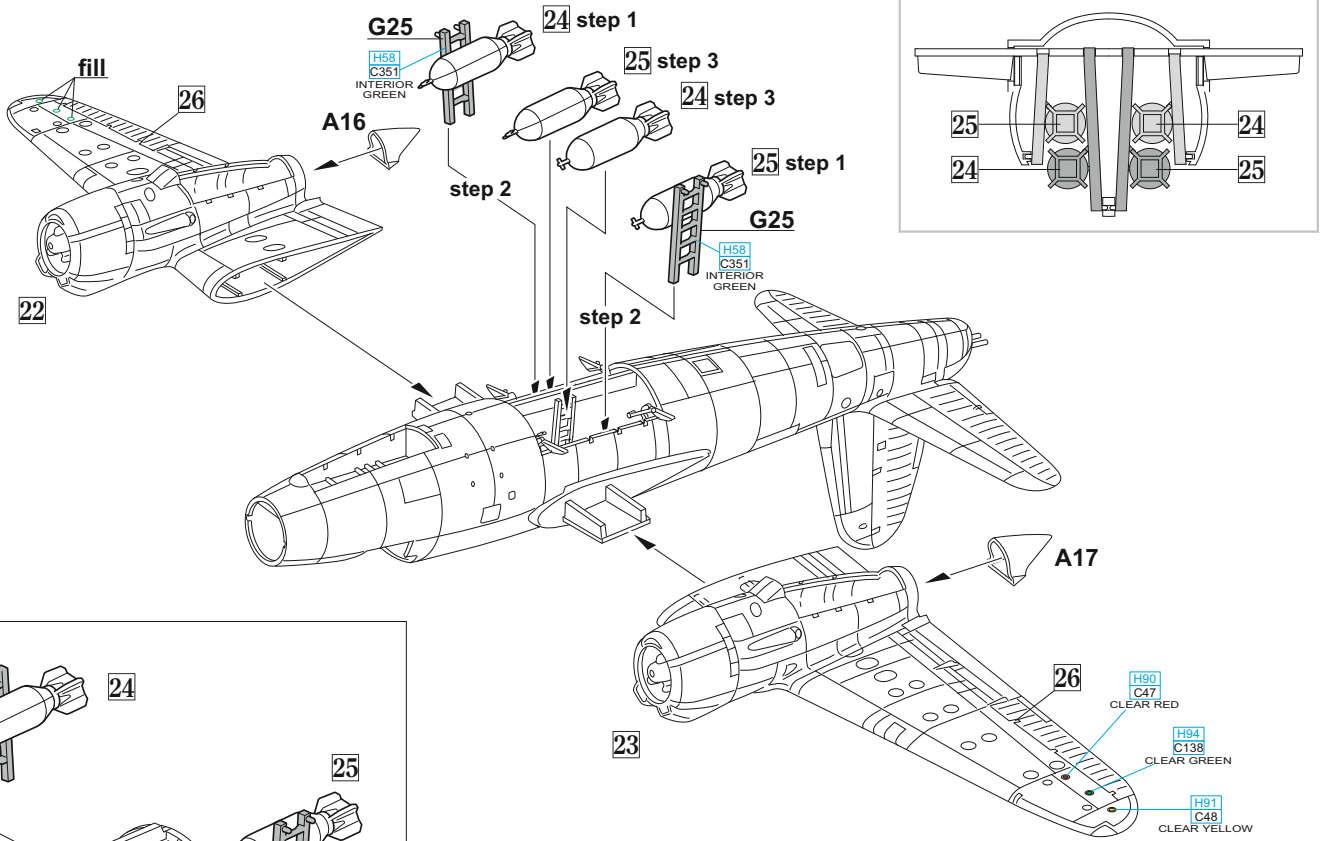
23



24

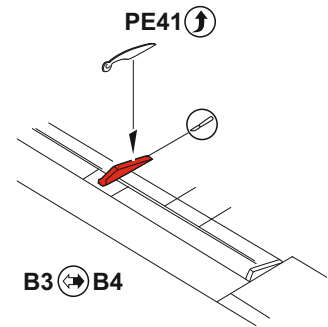
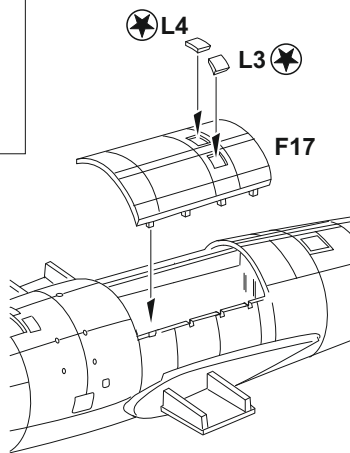


25

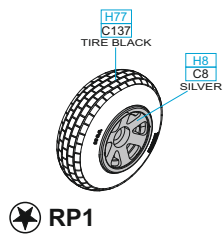


BOMB BAY CLOSED

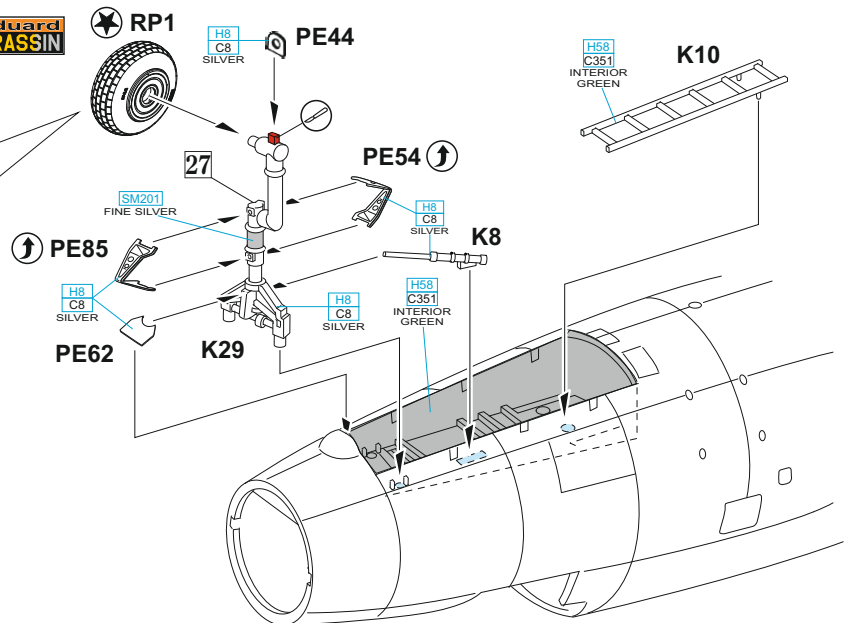
? 26 2 pcs.



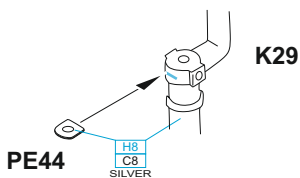
eduard BRASSIN

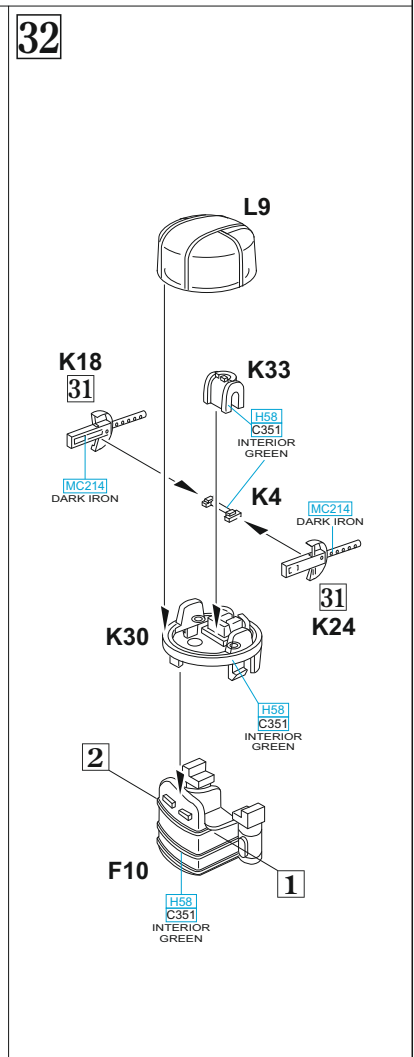
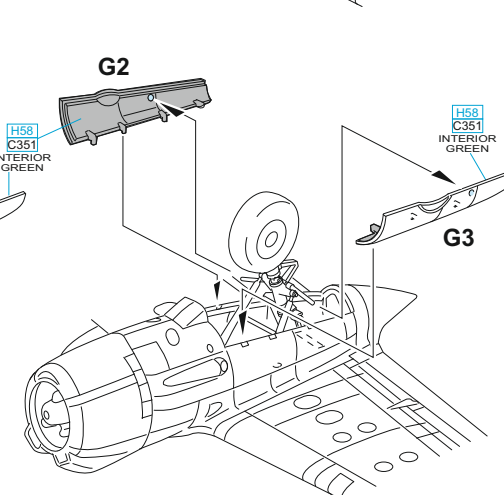
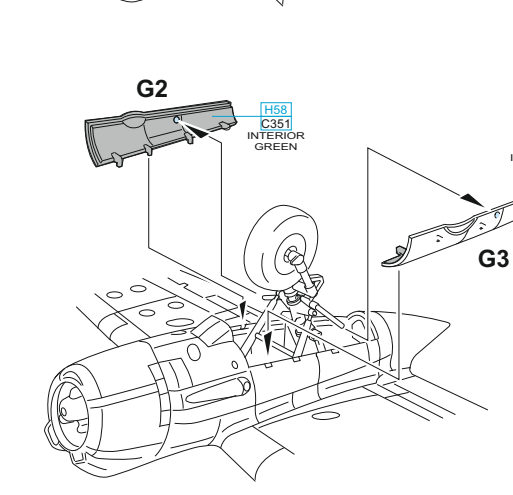
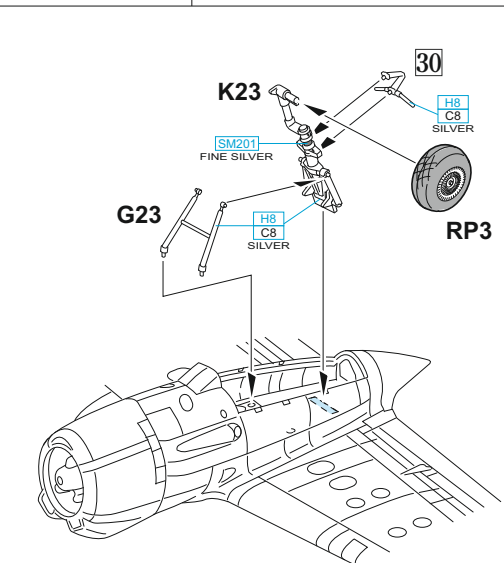
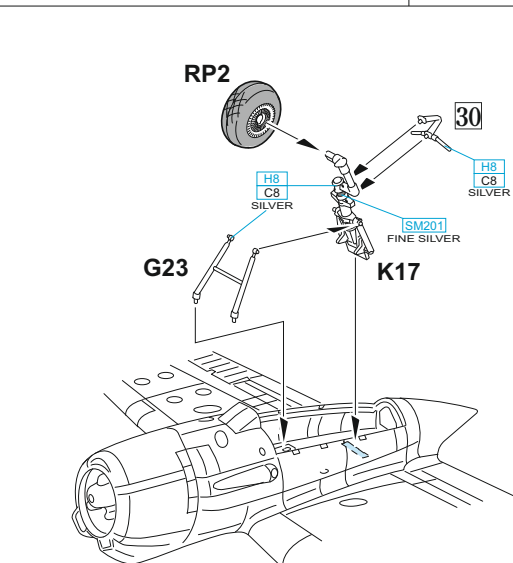
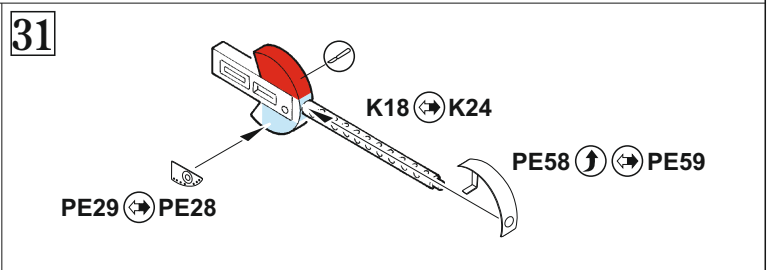
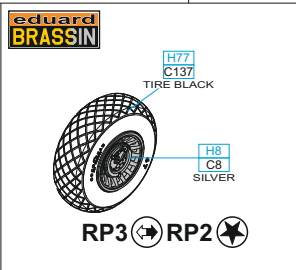
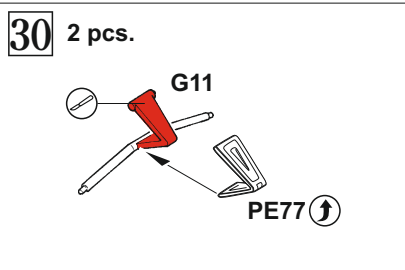
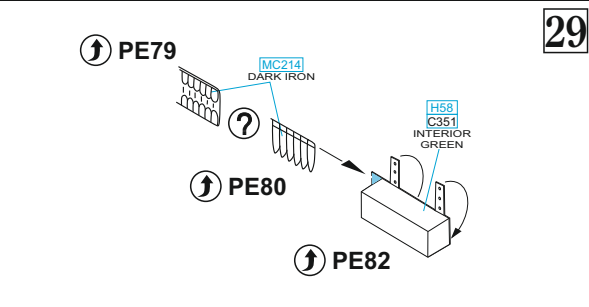
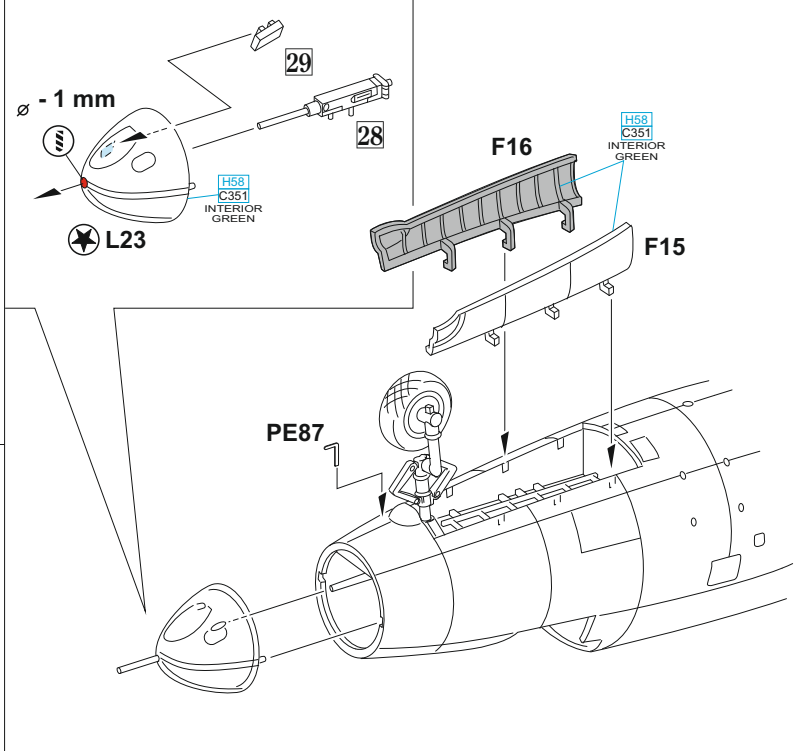
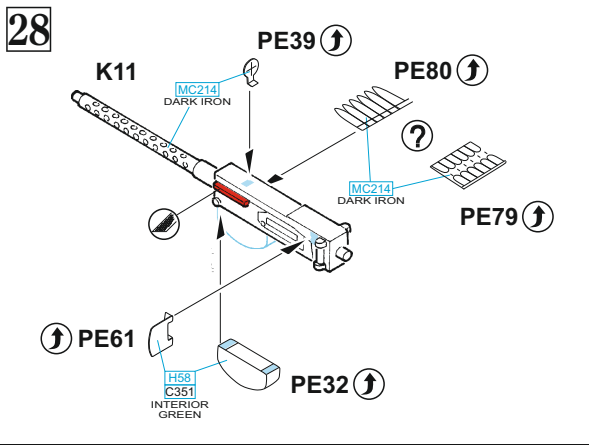


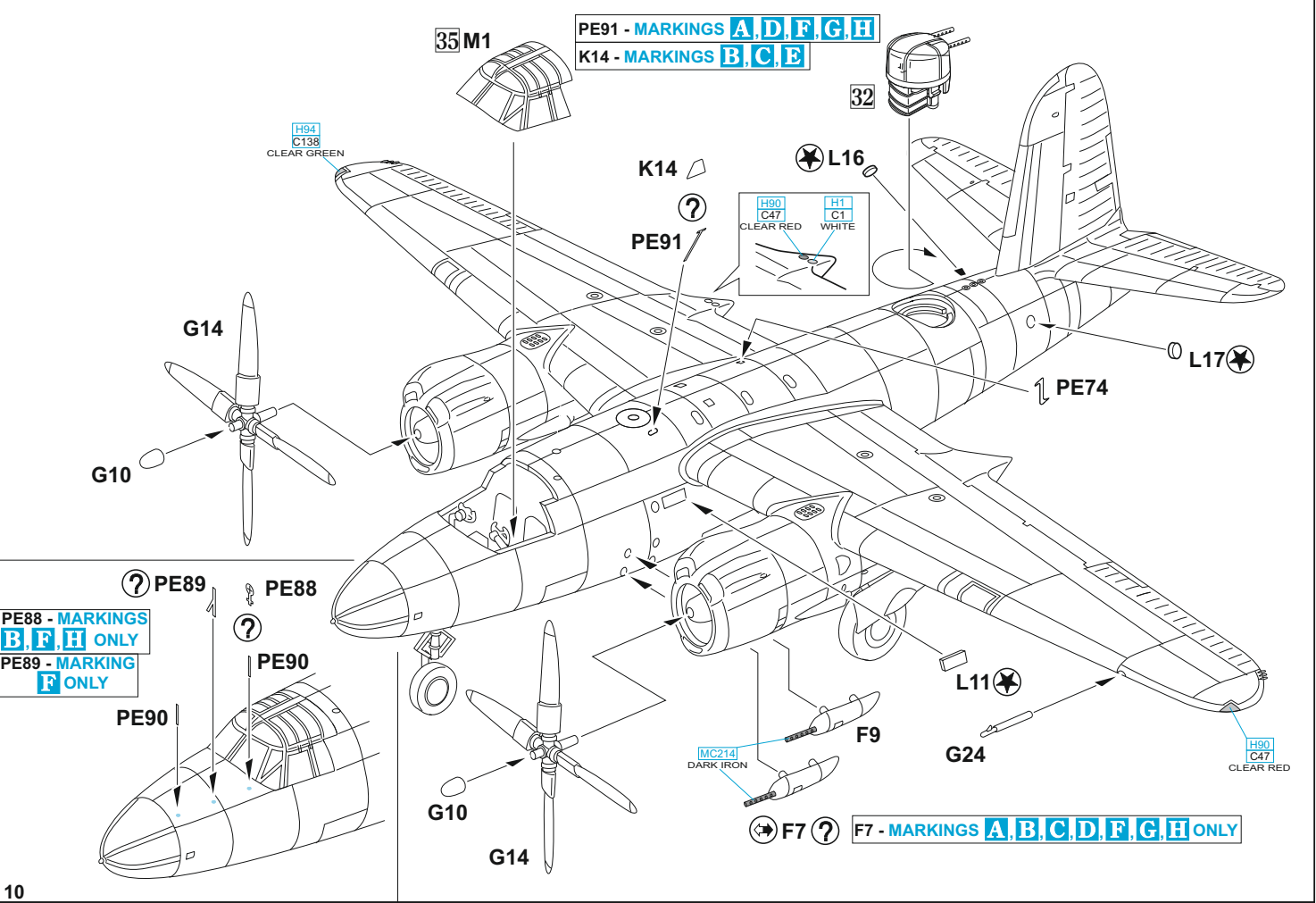
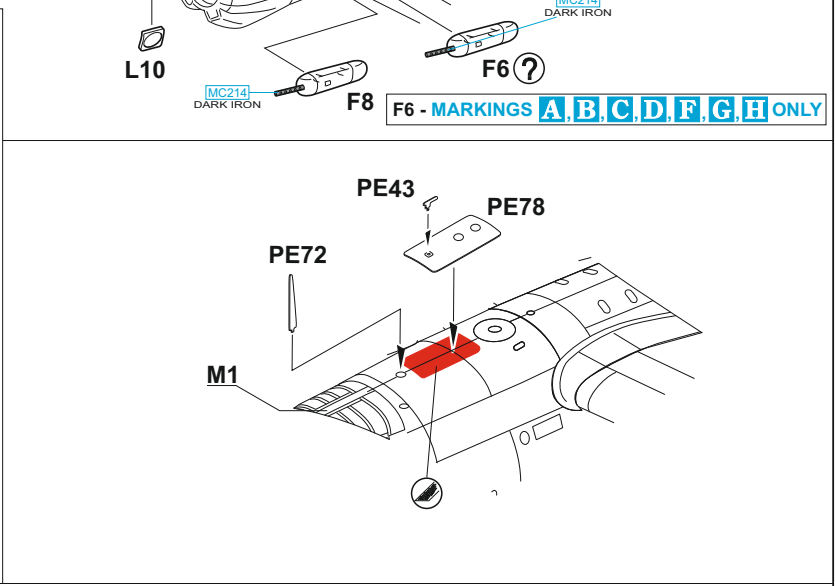
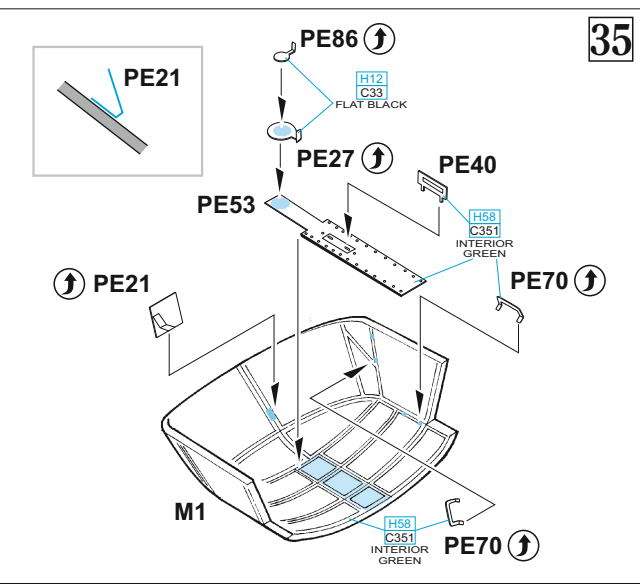
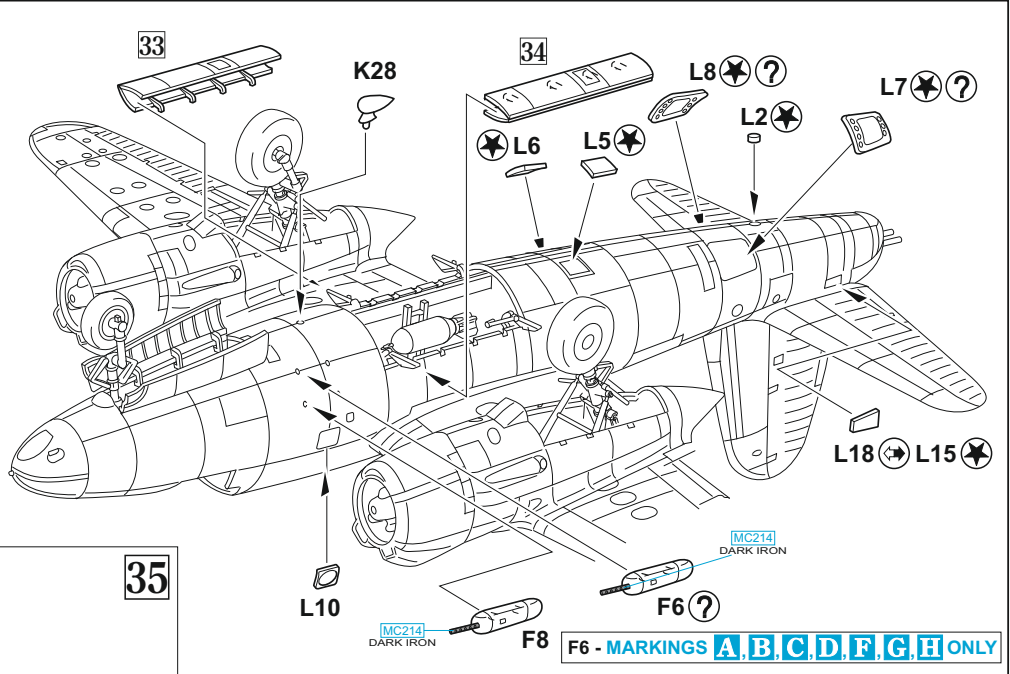
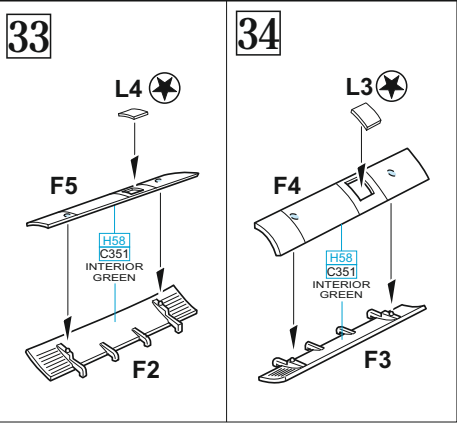
eduard BRASSIN

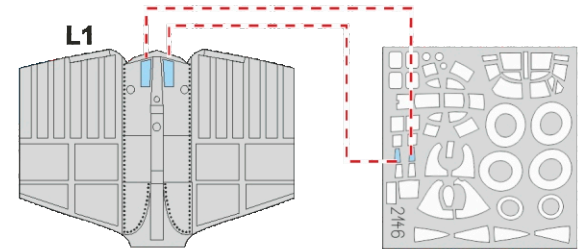
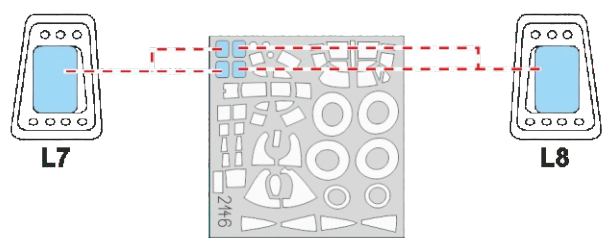
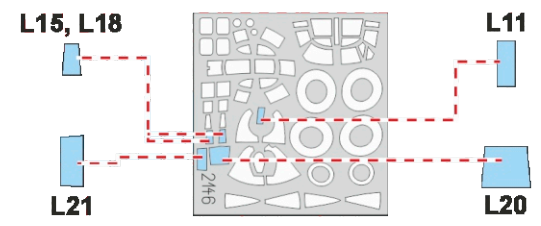
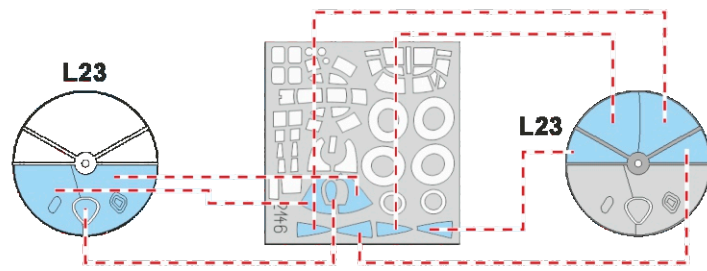
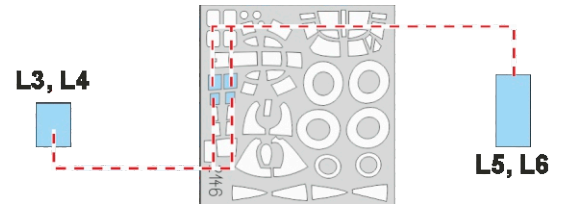
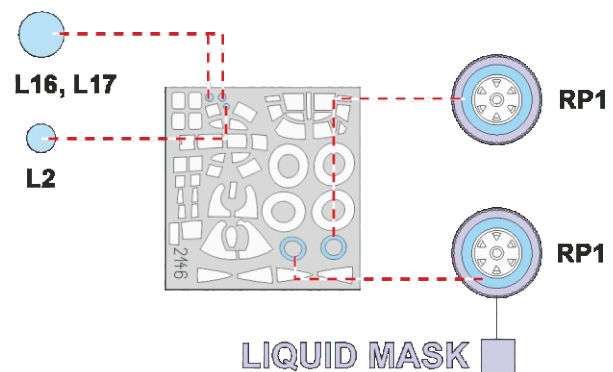
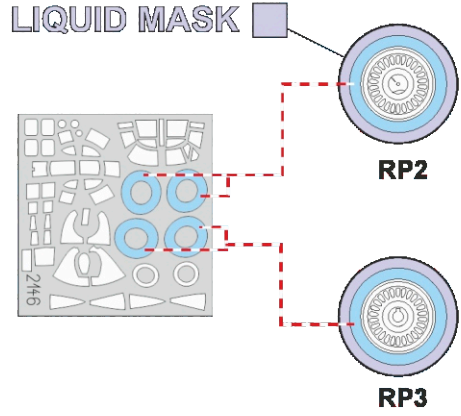
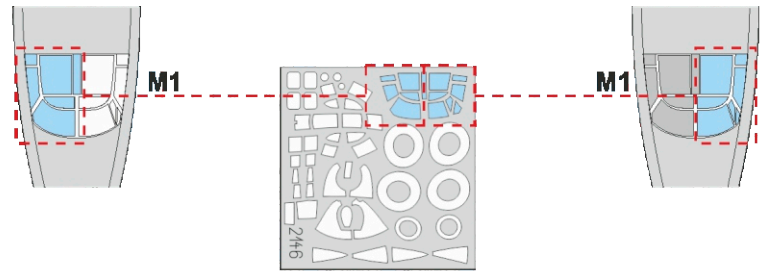


27



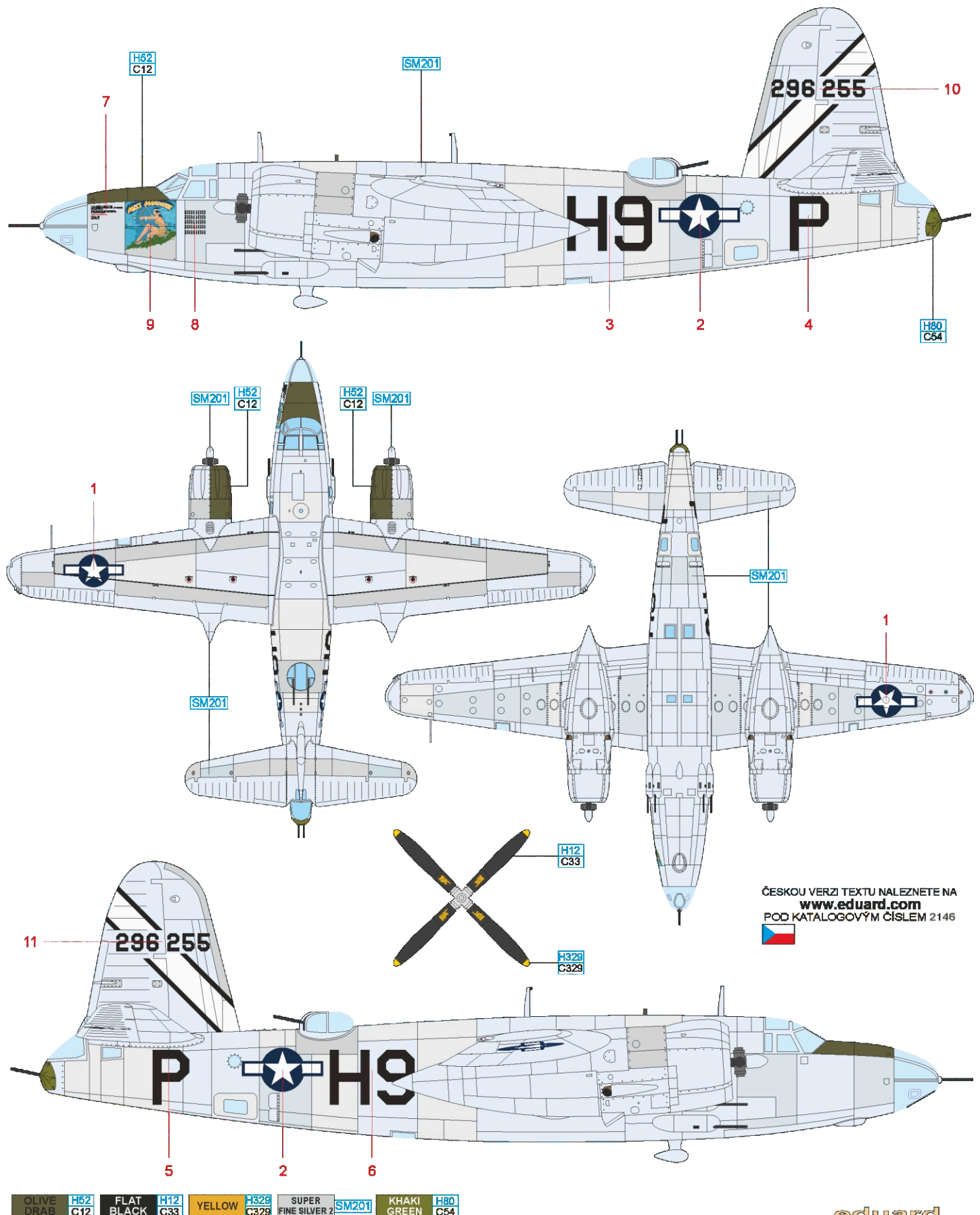






A 42-96255, B-26F-1, 586th BS/394th BG, Thomas C. Howard, Holmsley South, Great Britain, August 1944

The 394th Bomb Group was formed on February 15, 1943 and activated on March 5. From the beginning, its crews trained for combat deployments in Europe with Marauders. In February and March 1944, the group moved to England to Boreham Base and was assigned to the 9th Air Force. By March, its Marauders were flying attacks on ground targets in France, with frequent targets being V-1 missile bases, marshalling yards, and bridges. When D-Day came, the 394th BG bombed German positions at Cherbourg and other targets. After moving to the Continent in late August 1944, the group began operating against targets in Germany and participated in the Battle of the Bulge. In September it began training with the A-26s and in December 1945 was redesignated the 394th Bomb Group (Light). Upon return to the United States, the group was inactivated on March 31, 1946. The autor of the painting on the nose was S/Sgt. Frank M. Spangler Jr. a professional cartoonist, who decorated a number of other aircraft of the group with his hilarious paintings and made a living as an artist after the war. Miss Manookie flew a total of 60 combat missions during the war.

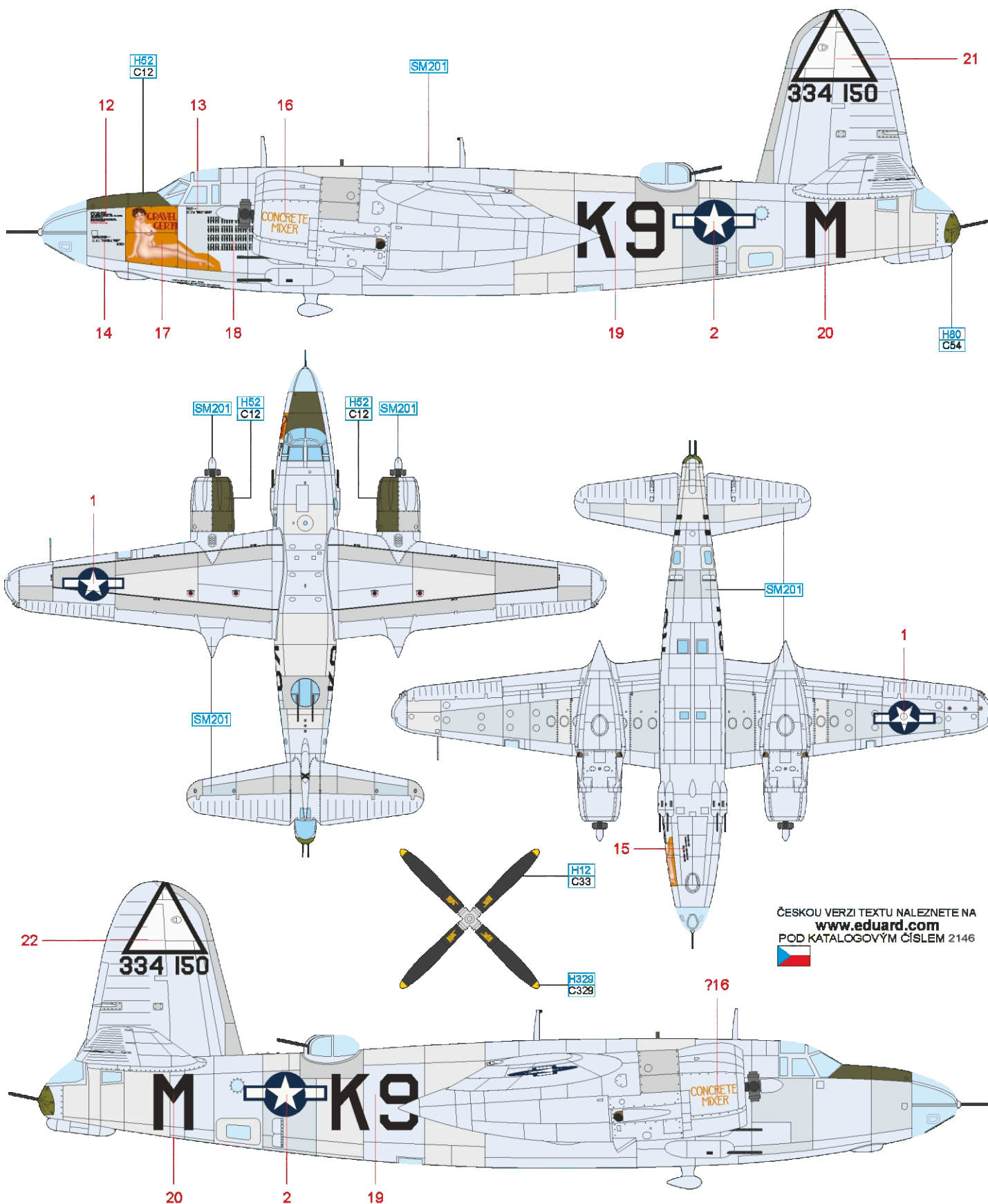


OLIVE DRAB	H62 C12	FLAT BLACK	H12 C33	YELLOW	H329 C329	SUPER FINE SILVER 2	SM201	KHAKI GREEN	H80 C64
------------	---------	------------	---------	--------	-----------	---------------------	-------	-------------	---------

eduard

B 43-34150, B-26G-1, 2/Lt. Eulan W. Covey, 494th BS/344th BG, Cormeilles-en-Vexin, France, late 1944

After the 344th Bomb Group was established on August 31, 1942, it was activated on September 8, 1942. From the beginning, it flew B-26s and served as a Replacement Training Unit. It then moved to England during January and February 1944 and began operations as part of the 9th Air Force in March. During the landings, it supported the operation that led to the capture of the Cotentin Peninsula and subsequent Allied operations in the Caen area. It then participated in the Battle of Bulge and continued to operate until April 1945. In September of that year, it moved to Germany as part of the occupation forces and began rearmament to A-26. In December it was redesignated the 344th Bomb Group (Light) and was inactivated on February 15, 1946, after moving to the United States. The aircraft, named Gravel Gerty, sported the inscription Concrete Mixer on the left engine cowling, which related to the name of the aircraft. We don't know if it was painted also on the right engine, but the decal is included in the sheet for that position as well.



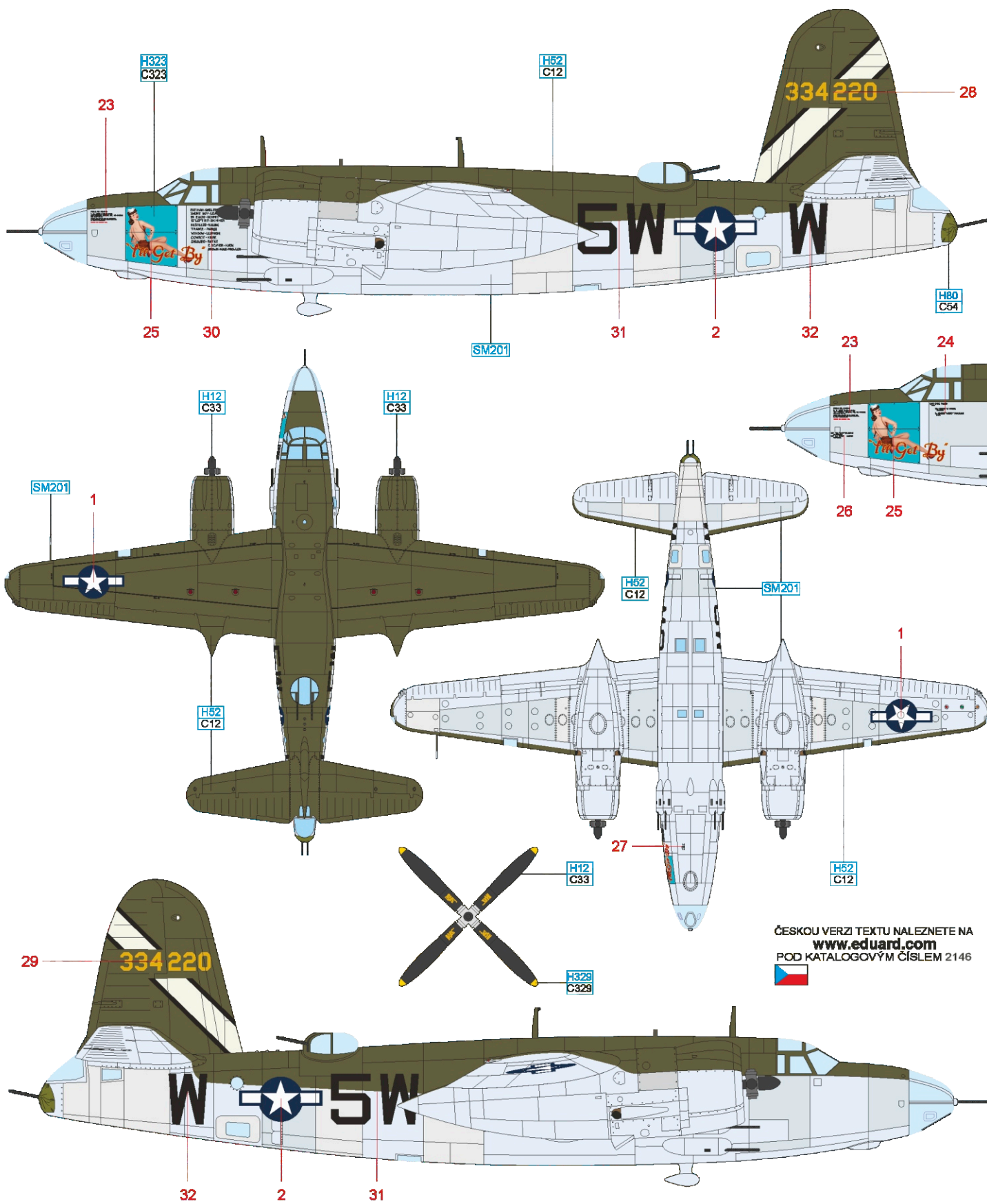
ČESKOU VERZI TEXTU NALEZNETE NA
www.eduard.com
 POD KATALOGOVÝM ČÍSLEM 2146



- OLIVE DRAB H52 C12
- FLAT BLACK H12 C33
- YELLOW H329 C329
- SUPER FINE SILVER 2 SM201
- KHAKI GREEN H80 C64

C 43-34220, B-26G-5, Capt. Charles G. Fraser, 587th BS/394th BG, Bricy, France, August 1944

The 394th Bomb Group was established on February 15, 1943 and activated on March 5. From the beginning, its crews flew B-26s with which they trained for combat deployments in Europe. In February and March 1944, the group moved to England to Boreham Base and was assigned to the 9th Air Force. By March, its Marauders were flying attacks in France, with frequent targets being V-1 missile bases, marshalling yards and bridges. When the D-Day came, the 394th BG bombed German positions at Cherbourg and other targets. After moving to the Continent in late August 1944, the group began operating against targets in Germany and participated in the Battle of the Bulge. After the surrender of Germany, it stayed in Europe as part of the occupation forces. In September it began training on the A-26s and in December 1945 was redesignated the 394th Bomb Group (Light). Upon return to the United States, the group was inactivated on March 31, 1946. The pilot of the aircraft named I'll Get By, which was assigned to the unit on August 7, 1944, was Capt. Charles G. Fraser, co-pilot 2Lt Thomas Leask. The drawing of the girl unbuttoning her swimsuit top was based on an original by Albert Vargas.



ČESKOU VERZI TEXTU NALEZNETE NA
www.eduard.com
 POD KATALOGOVÝM ČÍSLEM 2146

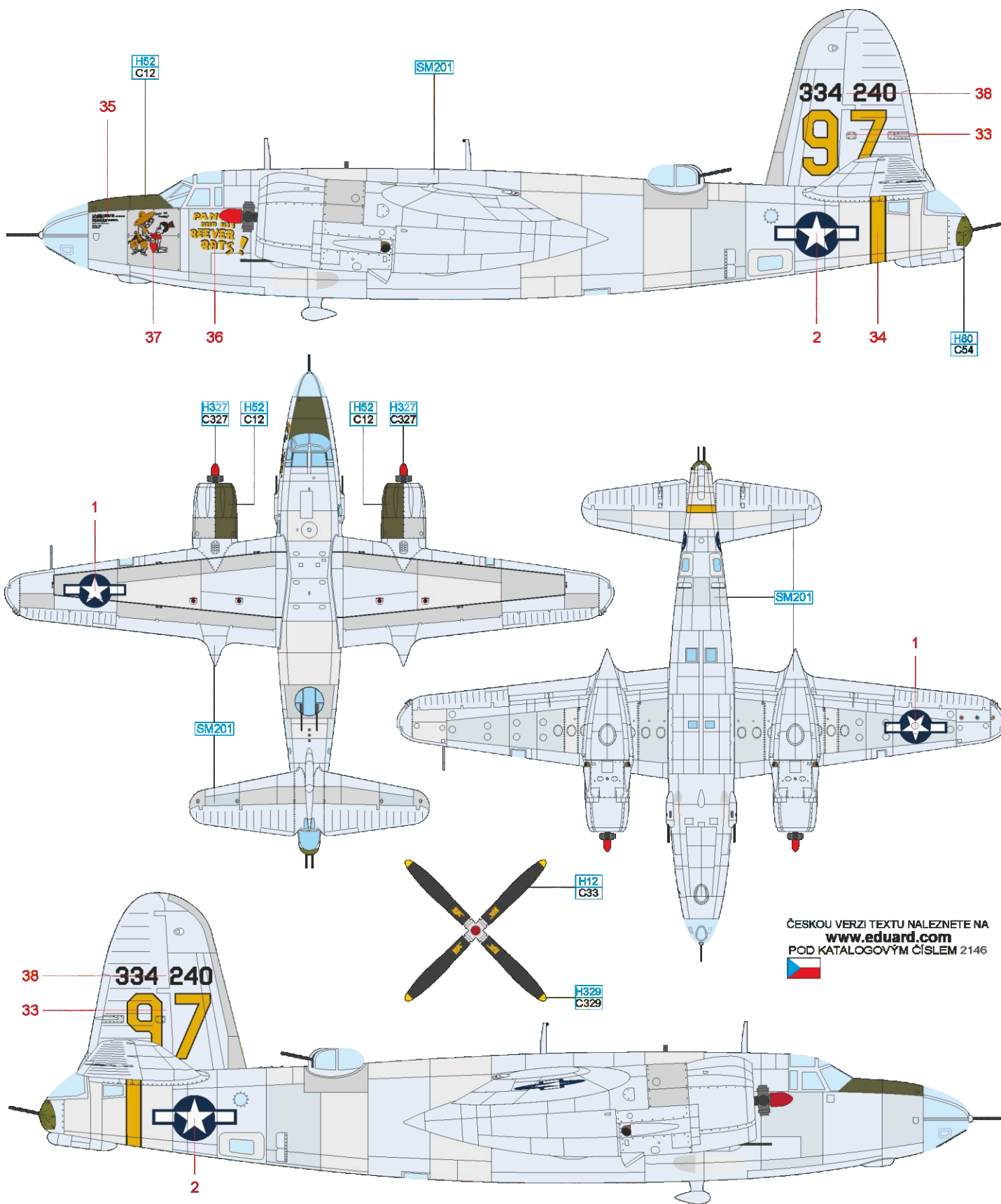


OLIVE DRAB	H62 C12	FLAT BLACK	H12 C33	YELLOW	H329 C329	SUPER FINE SILVER 2	SM201	LIGHT BLUE	H323 C323	KHAKI GREEN	H90 C54
------------	---------	------------	---------	--------	-----------	---------------------	-------	------------	-----------	-------------	---------

eduard

D 43-34240, B-26G-5, Lt. Wilbert L. Weir, 44th BS/320th BG, Decimomannu, Sardegna, August 1944

The activation of the 320th Bomb Group occurred on June 23, 1942, with most of the group moving through England to North Africa after training during August–December 1942. As part of the 12th Air Force, the group began combat operations from bases in Algeria, Tunisia, Sardinia, and Corsica. Gradually, crews attacked enemy vessels in the approaches to Tunisia, land targets in Sardinia, and supported the invasion of Sicily. This was followed by raids on targets in Italy and, from June 1944, support for the invasion of southern France. In June 1945 the group moved to Germany and returned to the United States during November. It was inactivated as early as December 4 of that year. The aircraft, named Pancho and his Reever Rats, did not see the end of the war unfortunately. On August 23, 1944, it was hit by German anti-aircraft fire during a raid near Cavigliano and exploded in mid-air. According to some sources, the entire crew of Lt. Wilbert L. Weir was killed, others state that the rear gunner, S/Sgt. Albert A. Giuffre, was rescued and even returned to duty.



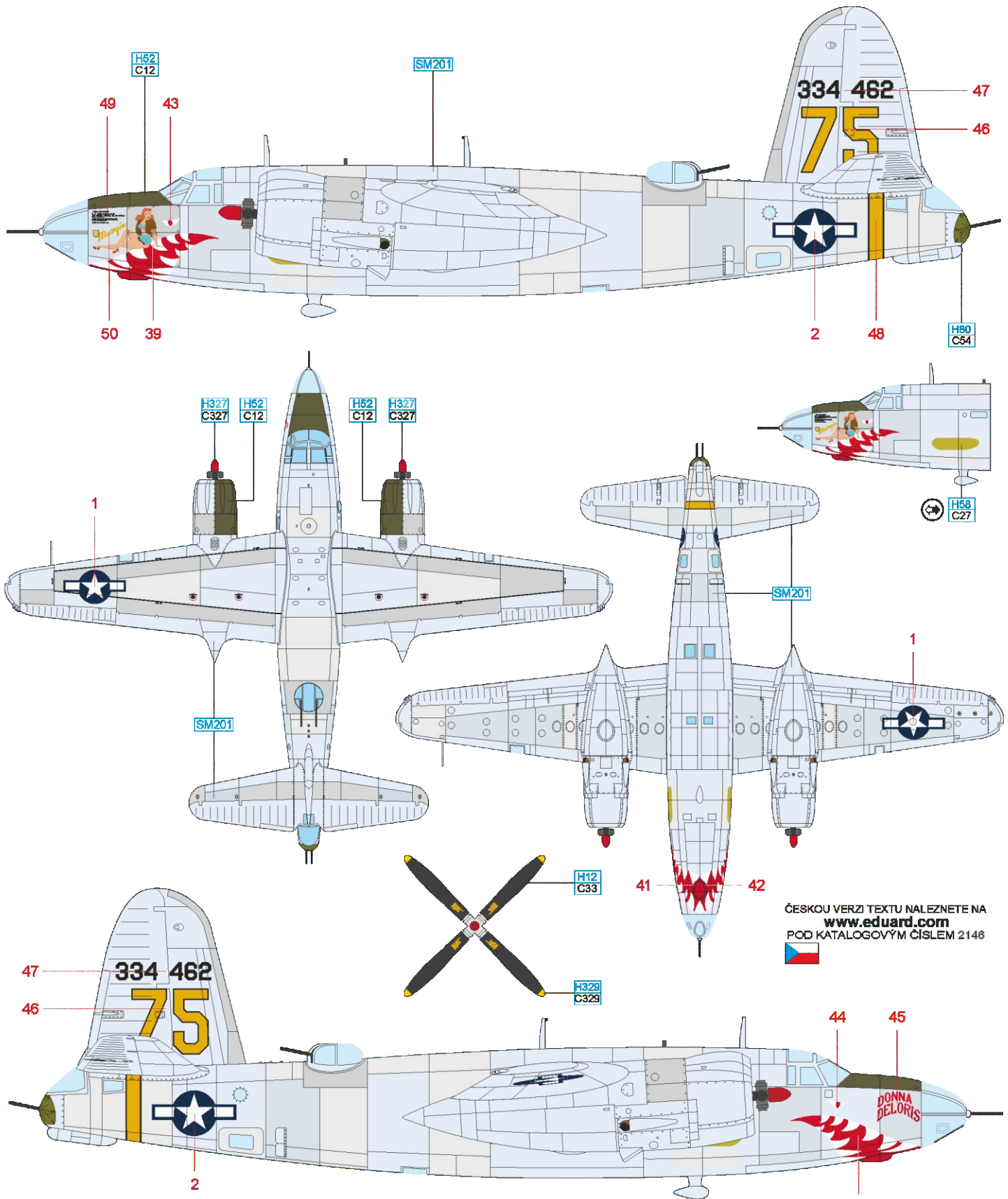
ČESKOU VERZI TEXTU NALEZNETE NA
www.eduard.com
 POD KATALOGOVÝM ČÍSLEM 2146



RED	H327 C327	KHAKI	H80
		GREEN	C64
OLIVE	H52	FLAT	H12
DRAB	C12	BLACK	C33
	YELLOW	H329	SUPER FINE SILVER 2
		C329	SM201

E 43-34462, B-26G-5, Lt. David A. Mickelson, 444th BS/320th BG, France, 1944-45

The 444th Bomb Squadron was formed in mid-1942 and armed with Marauders. It trained for combat as part of the 3rd Air Force in Florida and was deployed to England as part of the 320th Bomb Group and 3rd Bomb Wing. After the commencement of Operation Torch, it participated on operations in North Africa as part of the 12th Air Force, flying tactical bombing missions against Axis forces there until May 1943. It then shifted its attention to targets in Sicily, Corsica, Sardinia, and Italy. It then supported the Allied advance into Germany and was inactivated in December 1945. The aircraft shown here had its fuselage guns removed and while the left side of the nose bore a drawing of a girl and the inscription Margie, the right side sported the name Donna Deloris.



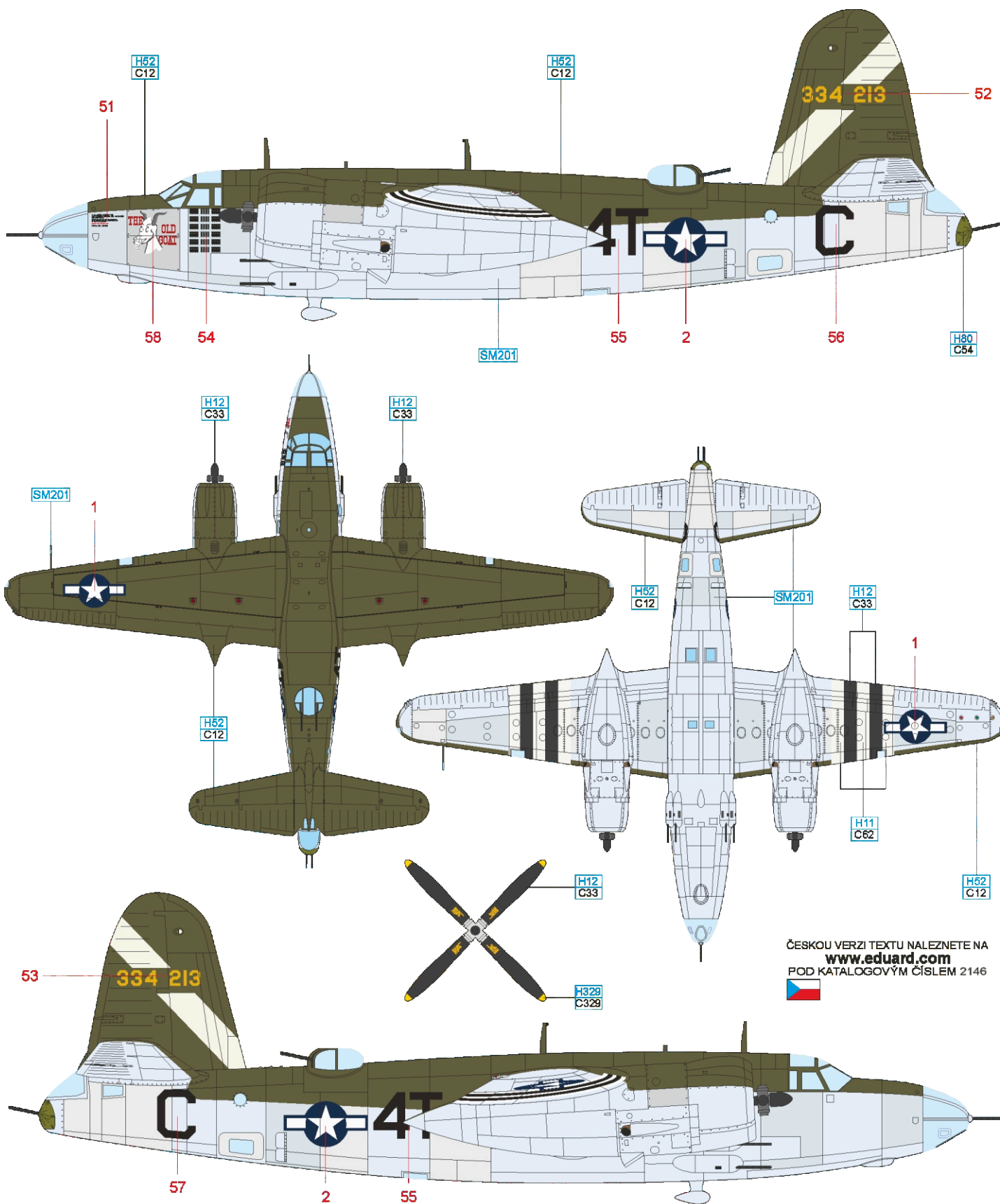
ČESKOU VERZI TEXTU NALEZNETE NA
www.eduard.com
 POD KATALOGOVÝM ČÍSLEM 2146



RED	H327 C327	KHAKI GREEN	H80 C64	INTERIOR GREEN	H58 C27
OLIVE DRAB	H62 C12	FLAT BLACK	H12 C33	YELLOW	H329 C329
				SUPER FINE SILVER 2	SM201

F 43-34213, B-26G-1, Capt. John C. Furnas of the 585th BS, 394th BG, Venlo, The Netherlands, May 1945

The 585th Bomb Squadron was activated at MacDill Field, Florida, as one of four squadrons of the 394th Bomb Group. It moved to England in mid-February 1944, making its home base at Boreham. Its pilots flew their first combat mission on March 23, 1943. They then attacked V-1 flying bomb launchers and V-2 rocket bases as part of Operation Crossbow. During D-Day, the 585th BS targeted enemy sites at Cherbourg, then attacked transport lines or fuel depots. By July 24, 1944, the unit was stationed at Holmsley South and by August it had moved to its first mainland base, Tour-en-Bessin, France. In addition to the classic missions towards the end of the war, the Marauders of the 585th BG dropped propaganda leaflets over the occupied territory on 16 missions. The aircraft of Capt. John C. Furnas was named *The Old Goat*, and the nose art corresponded to the name. It bore the symbols of ninety combat missions under the cockpit towards the end of the war.

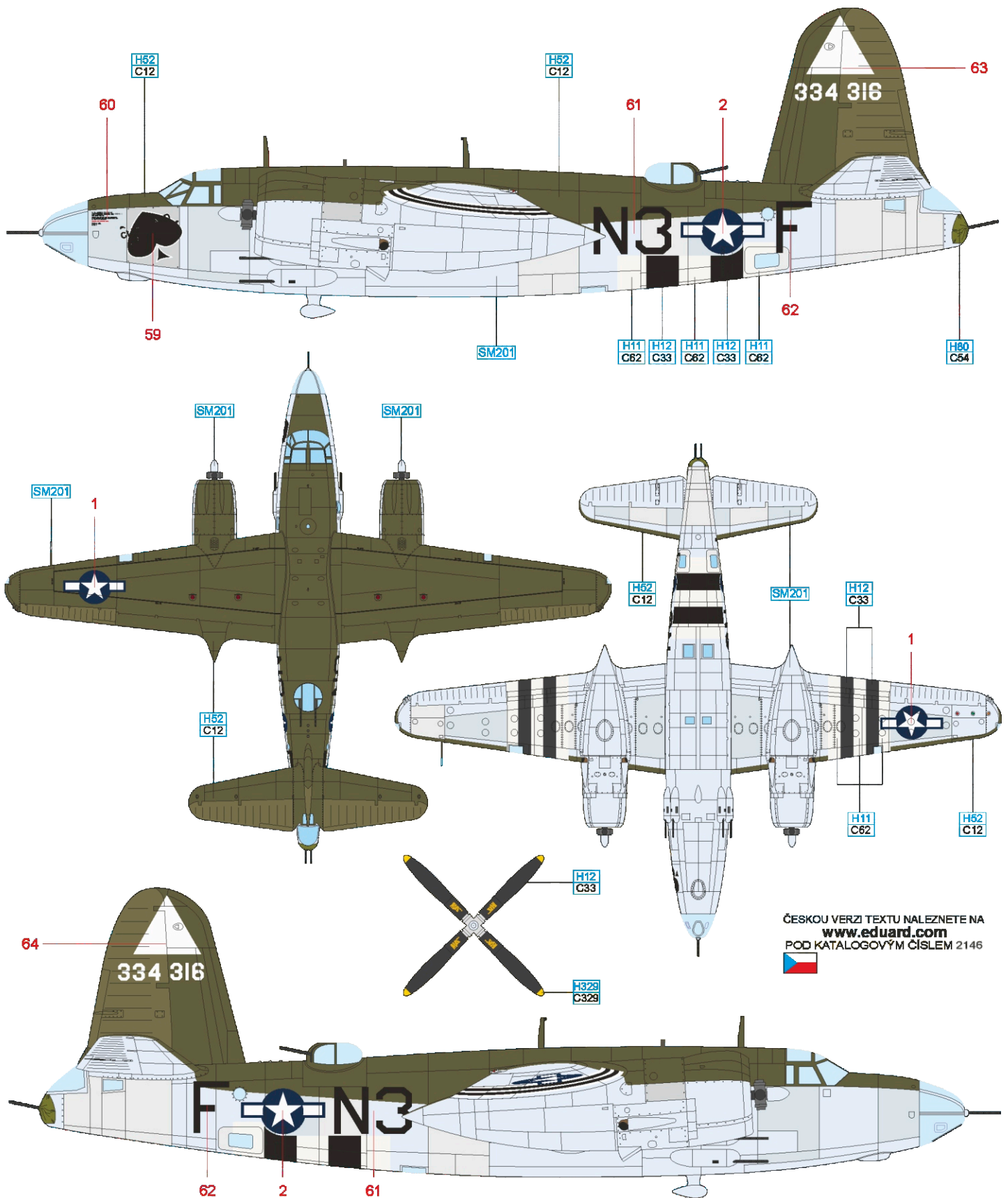


ČESKOU VERZI TEXTU NALEZNETE NA
www.eduard.com
 POD KATALOGOVÝM ČÍSLEM 2146



KHAKI GREEN	H80 C54	FLAT WHITE	H11 C62
OLIVE DRAB	H52 C12	FLAT BLACK	H12 C33
	YELLOW	H329 C329	SUPER FINE SILVER 2
			SM201

The 496th Bomb Squadron was activated in late 1942 as a training unit of III Bomber Command. It was converted to operational status late in the year and deployed to Europe as part of IX Bomber Command in February 1944. After the war it remained as part of the Occupation Forces in Europe and was inactivated on February 15, 1946. Named Cleveland Calliope II, the aircraft carried "Broken Line" camouflage, consisting of Olive Drab paint on the upper surfaces and upper fuselage, the rest of the aircraft was left in natural metal finish.



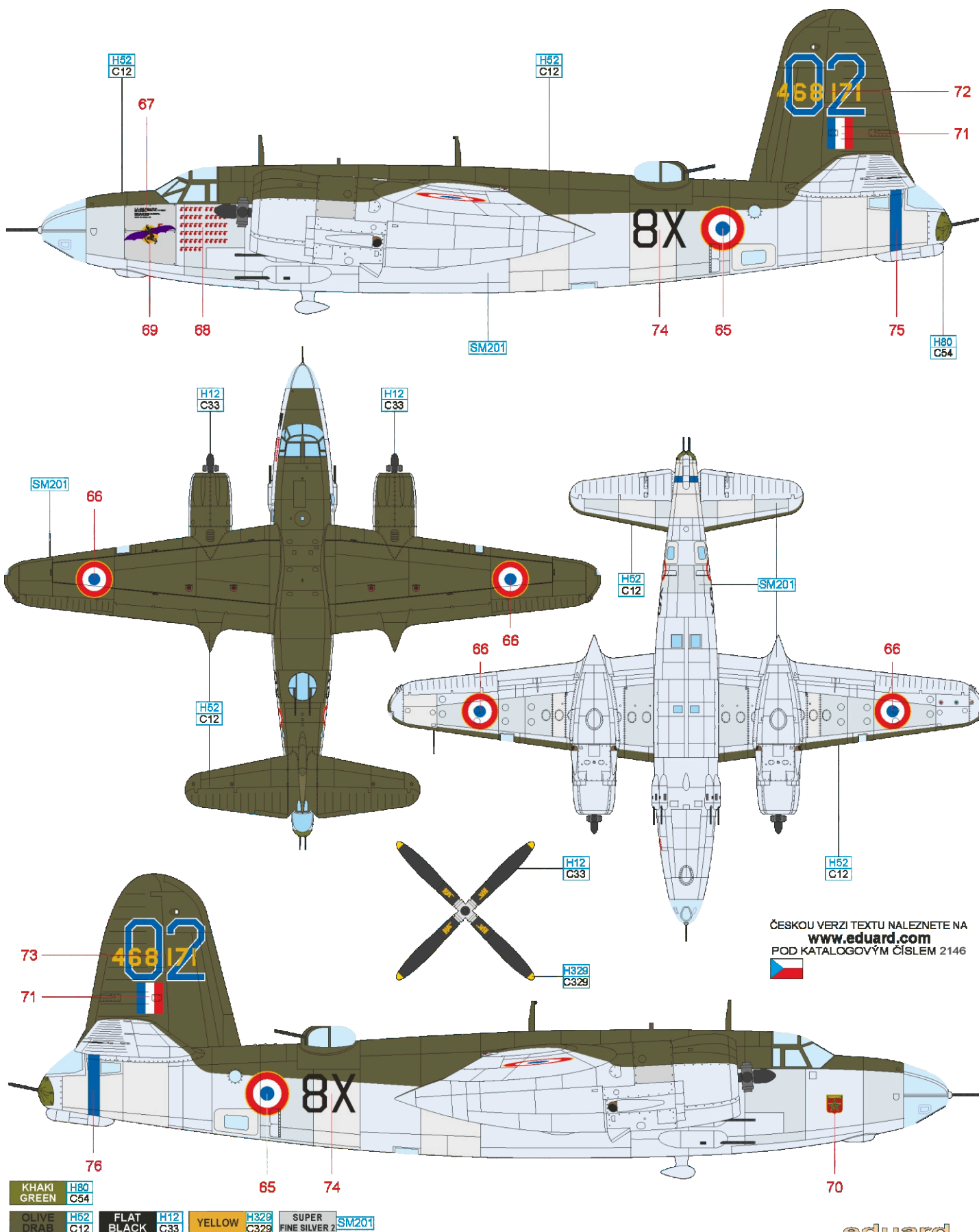
ČESKOU VERZI TEXTU NALEZNETE NA
www.eduard.com
 POD KATALOGOVÝM ČÍSLEM 2146



KHAKI GREEN	H80 C64	FLAT WHITE	H11 C62
OLIVE DRAB	H62 C12	FLAT BLACK	H12 C33
		YELLOW	H329 C329
		SUPER FINE SILVER 2	SM201

H 44-68171, B-26G-25, GB 1/22 Maroc, Riedlingen, Germany, May 1945

The Free French Air Force acquired its first Marauders in late 1943 and eventually units GB I/11 Maroc, GB II/20 Bretagne, GB I/19 Gascogne, GB II/52 Franche-Comte, GB II/63 Senegal and GB I/32 Bourgogne acquired these aircraft. Initially, the French received the older, war-weary machines for training purposes, after which newer ones were supplied. Initial operations by French B-26s targeted enemy positions in Italy and southern France. They took part in the invasion of France on August 15, 1944 and then gradually moved north with the advance of the Allies. They completed their last mission on April 25, 1945 and were inactivated in June. The aircraft shown here completed 55 bombing missions, according to the symbols under the cockpit.



ČESKOU VERZI TEXTU NALEZNETE NA
www.eduard.com
 POD KATALOGOVÝM ČÍSLEM 2146



