



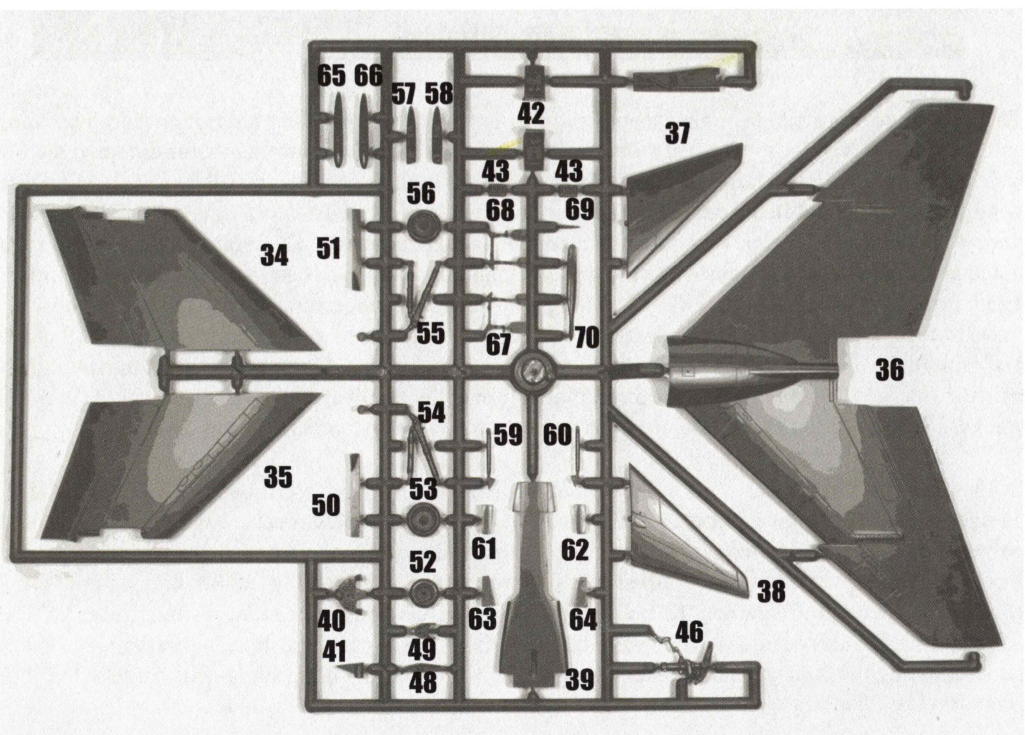
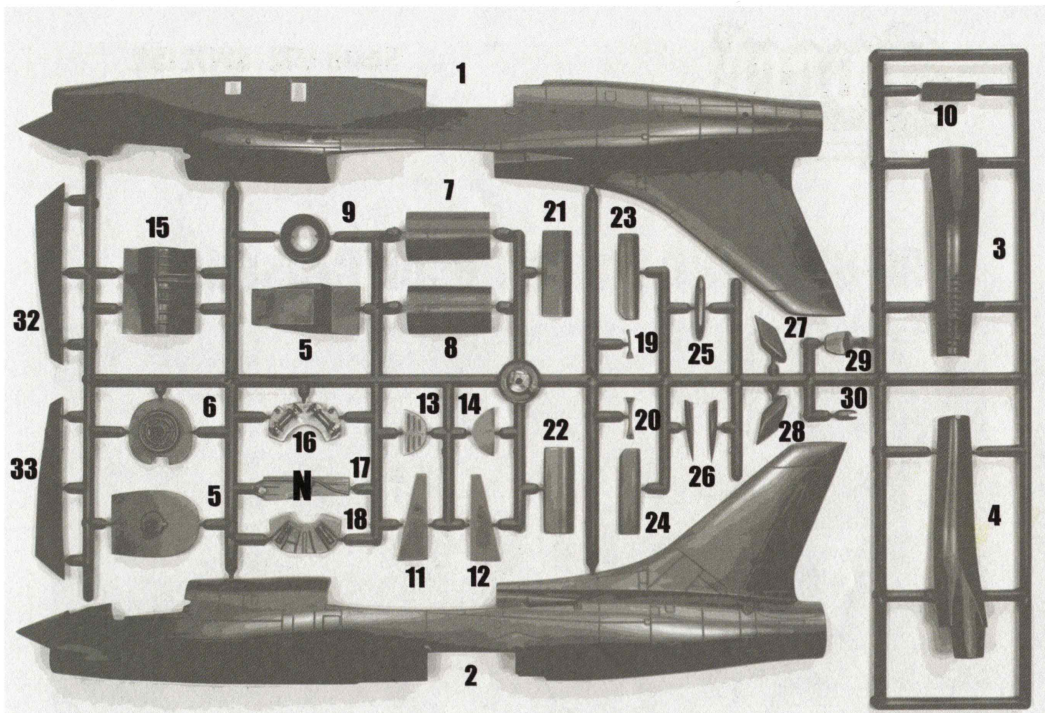
Scale 1/72 SW72150

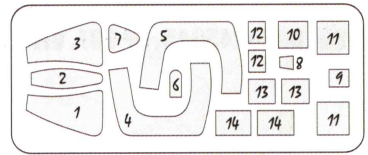
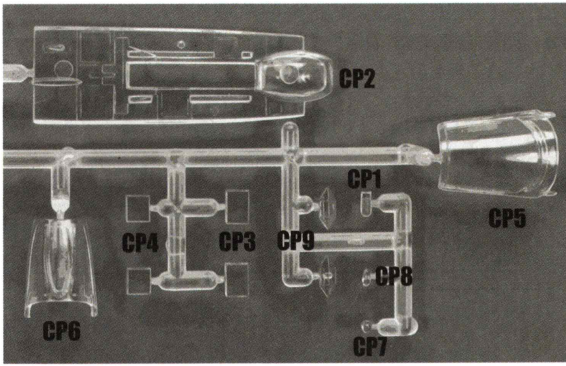
RF-8A/RF-8G Photo-Recon Crusaders



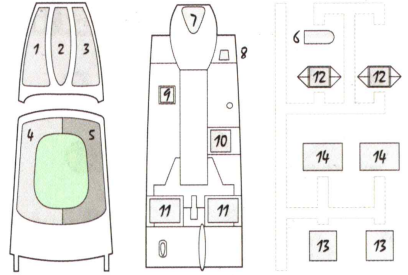
The F8 Crusader is a single engine supersonic carrier based air superiority aircraft produced by Vaught, and the last U.S. fighter to be fitted with guns as a primary weapon. Unorthodox for the time, the F8 was had a high-wing and large intake below the nose. Its main innovation was the variable incidence wing which could be tilted 7 degrees to increase angle of attack whilst avoiding a nose-high attitude during launch and recovery. Wing tilt activated the leading edge slats. The wing also had a 'dog-tooth' notch at the wing-fold for improved yaw stability, and inboard flaps. The maiden flight was March 25, 1955. The RF-8, originally the F8U-1P, is the photo-reconnaissance version with redesigned nose and forward fuselage to house cameras instead of cannons, leaving the aircraft unarmed. The RF-8 played an important role during the Cuban Crisis providing low-level photographs of Soviet medium range ballistic missiles based in Cuba. The aircraft also filmed the removal of the missiles over several weeks. The aircraft used for these missions were marked with a stencil of a dead chicken.

In Vietnam, the RF-8G was used. This was a modified RF-8, more powerful engine and upgraded navigation and electronic equipment. The the aircraft were remanufactured yet again with upgrades to power and equipment, including hard-points for drop-tanks, and long ventral strakes on the rear fuselage. Later aircraft can be identified also by large after-burner cooling intakes on the upper tail-cone, and a round protrusion on the fin above the rudder; this houses the radar warning receiver. The RF-8G suffered heavy losses as they were tasked with following ground attack aircraft and photographing the damage. This meant flying straight and level, making for an easy target. One squadron lost 20 aircraft on missions. 'Gator' was the nickname for the Crusader.

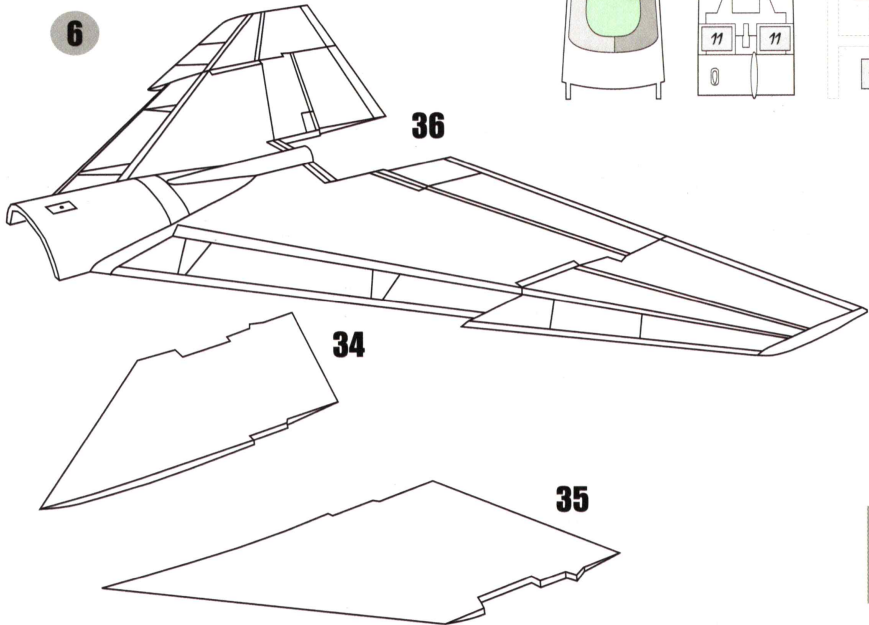




 Liquid mask



6

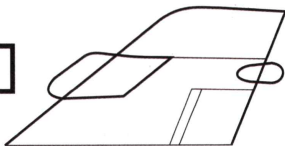


P3

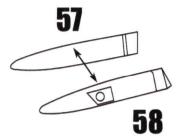
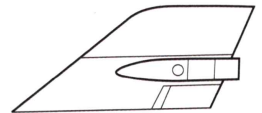
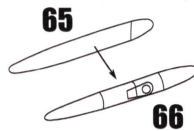
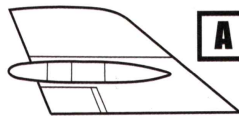
ECM FAIRING

RF-8G only

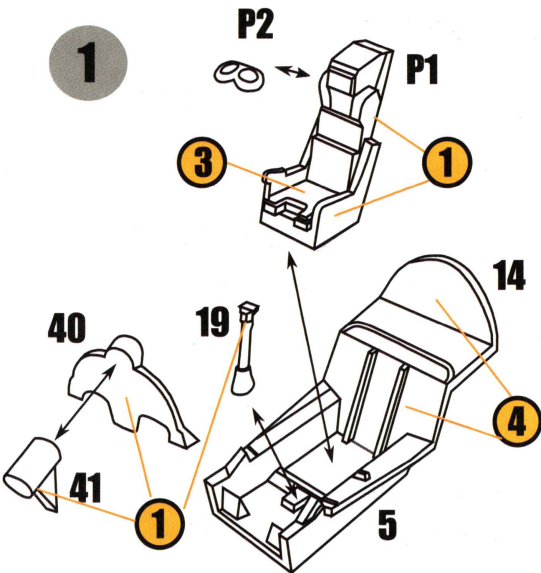
B



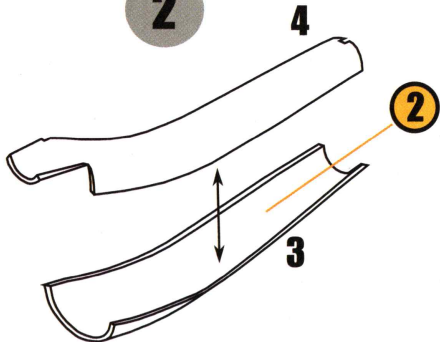
A



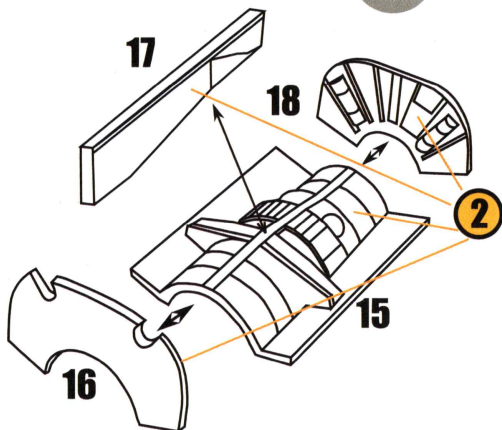
1



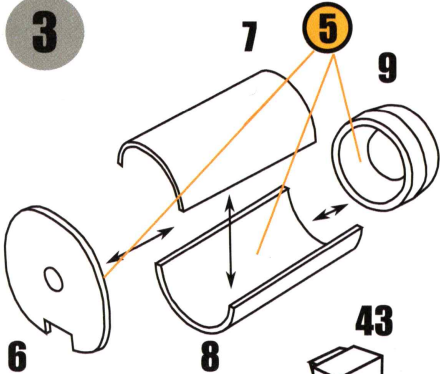
2



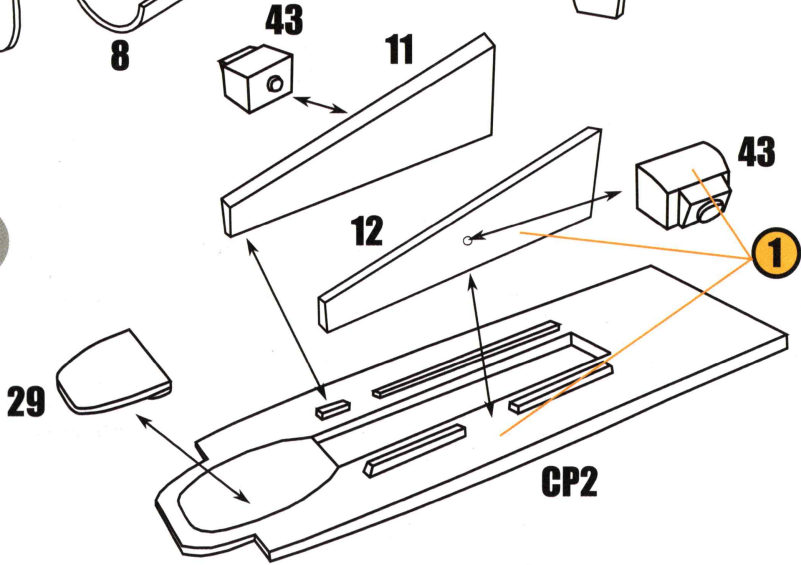
4



3

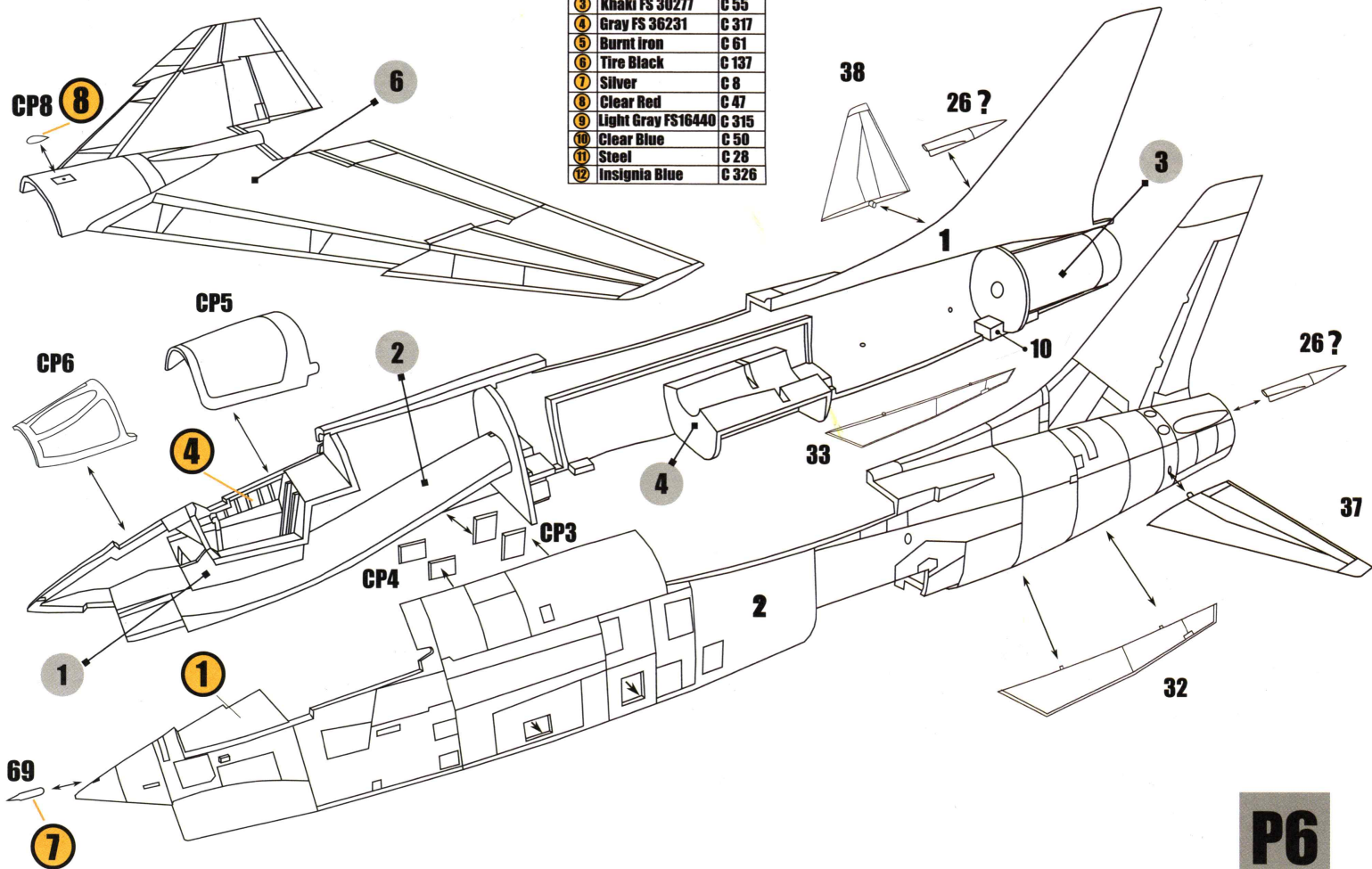


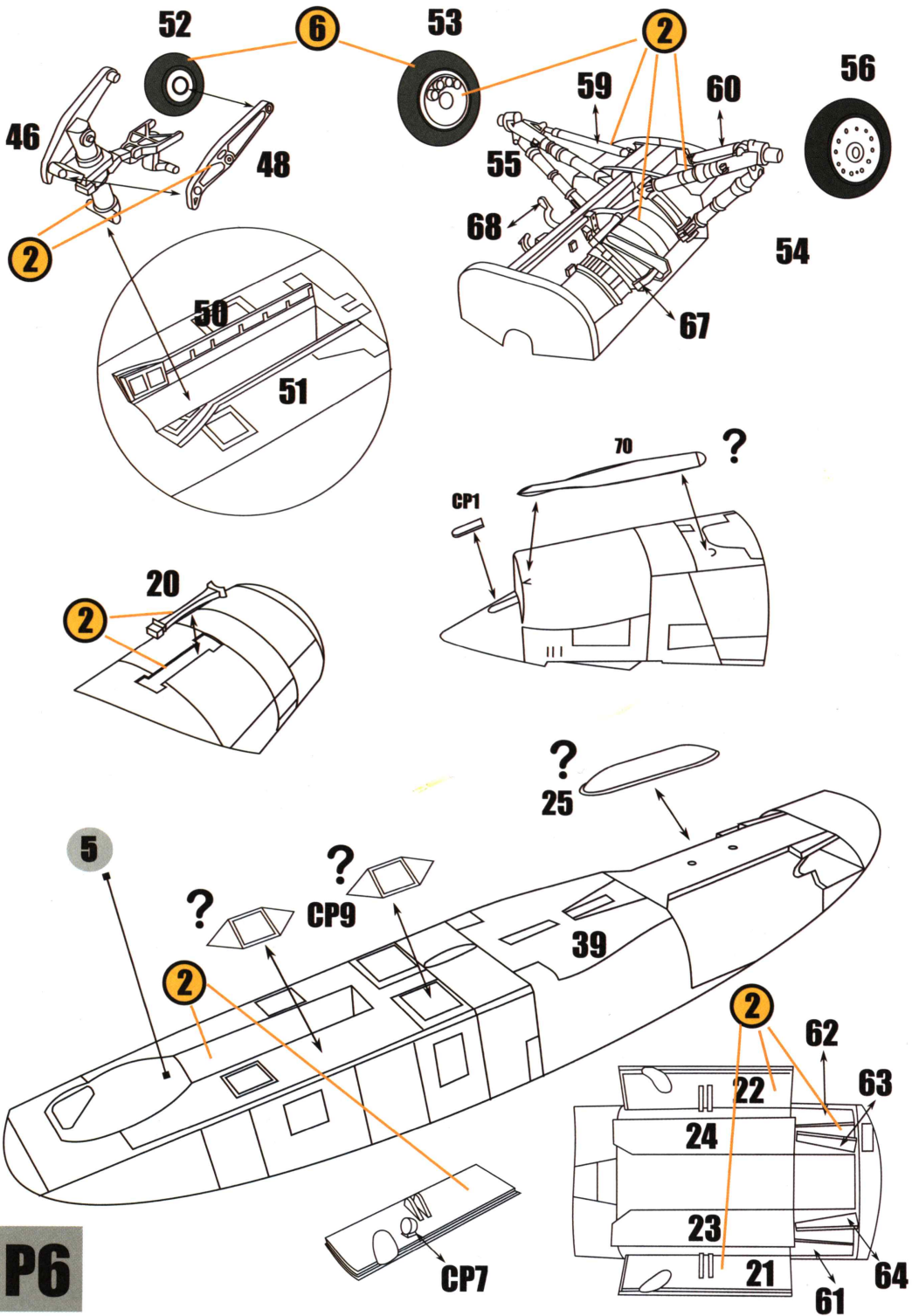
5



P4

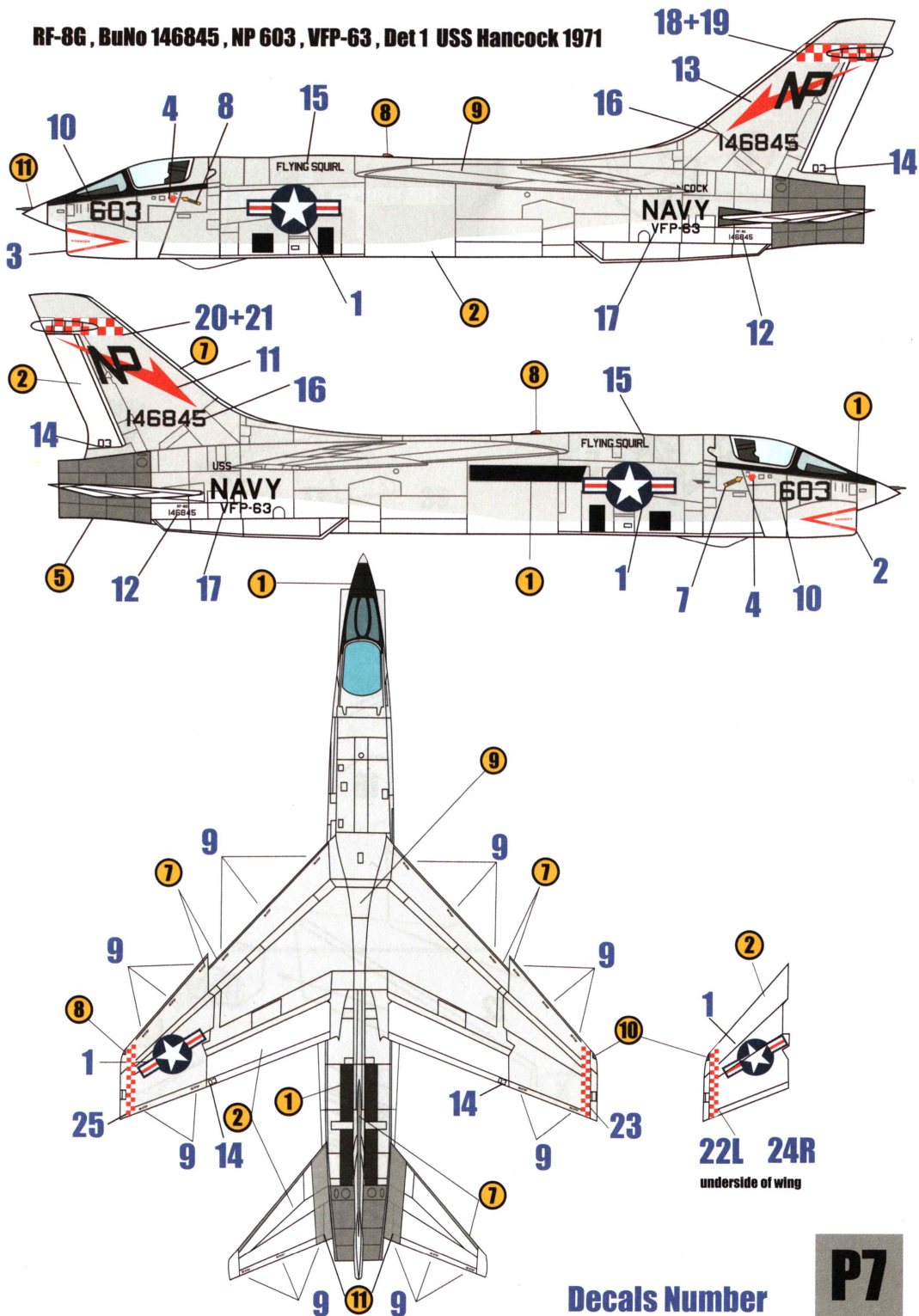
COLOR INDEX		BSI CROSS Mr. Color
①	Black	C 2
②	White FS 17875	C 316
③	C 55	
④	Gray FS 36231	C 317
⑤	Burnt iron	C 61
⑥	Tire Black	C 137
⑦	Silver	C 8
⑧	Clear Red	C 47
⑨	Light Gray FS16440	C 315
⑩	Clear Blue	C 50
⑪	Steel	C 28
⑫	Insignia Blue	C 326





P6

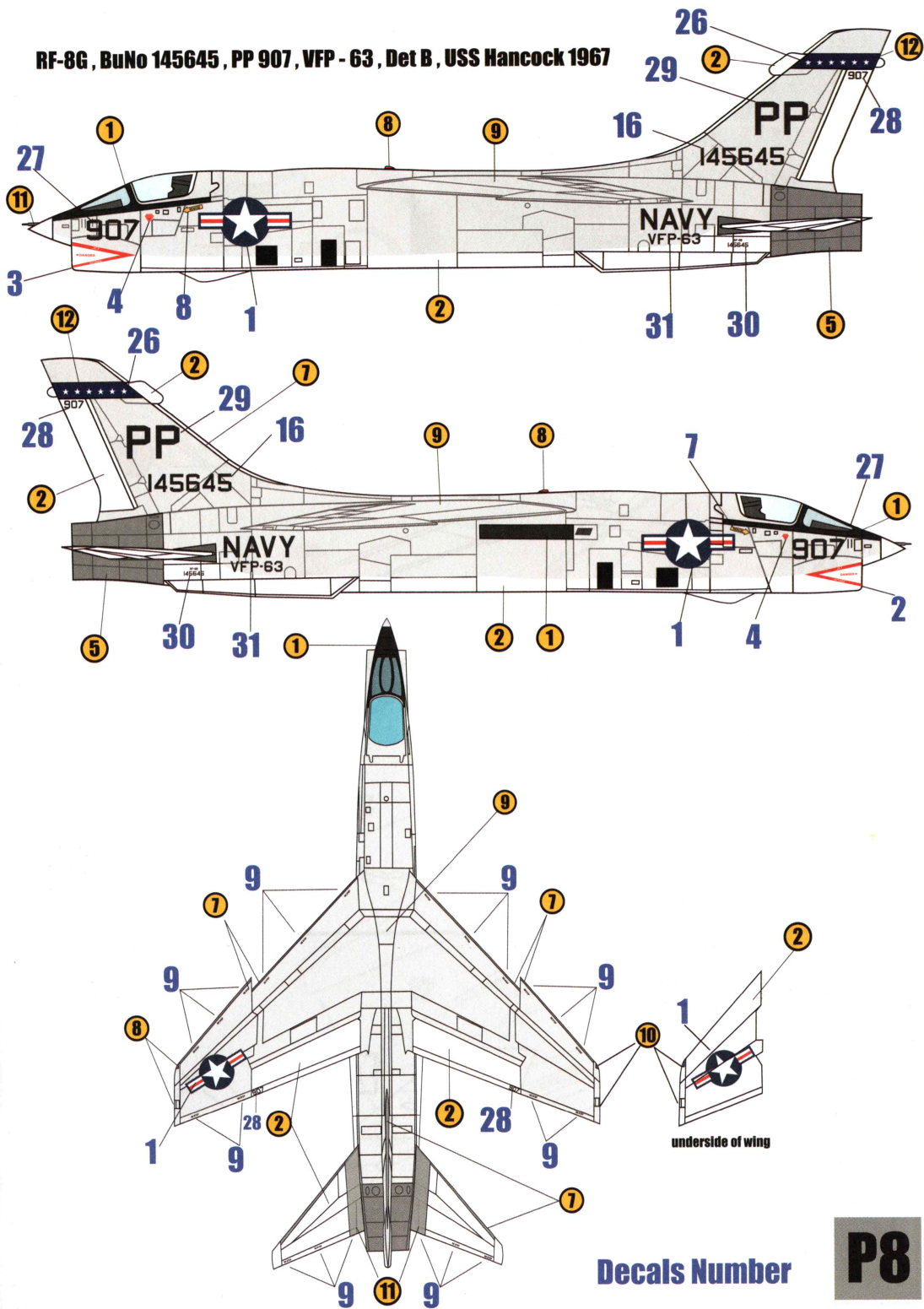
RF-8G, BuNo 146845, NP 603, VFP-63, Det 1 USS Hancock 1971



Decals Number

P7

RF-8G, BuNo 145645, PP 907, VFP - 63, Det B, USS Hancock 1967



Decals Number

P8



1

1

4

5

6

26

603

10



11

RF-8G
146845

13



603

FLYING SQUIRL

FLYING SQUIRL

03



18



19



21

146845

146845

03

14



20



21

USS HANCOCK

USS HANCOCK

03



22



23



24



25

RF-8G
145645

30

RF-8G
145645

907

27

907

907

28

907

PP

PP

145645

32

145645

NAVY

VFP-63

NAVY

VFP-63



SW 72150 Crusader RF-8G

PRINTED BY TECHMOD