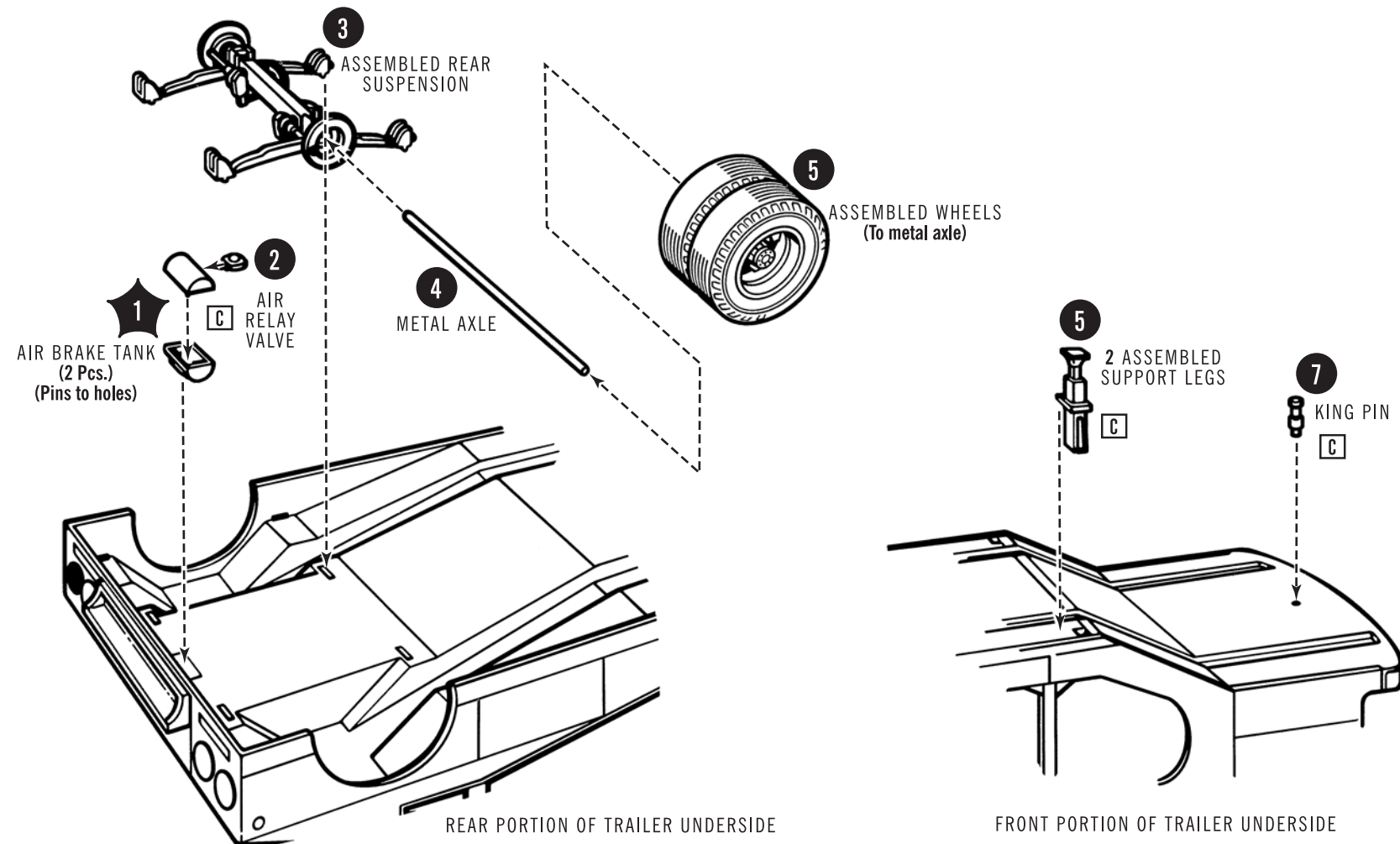
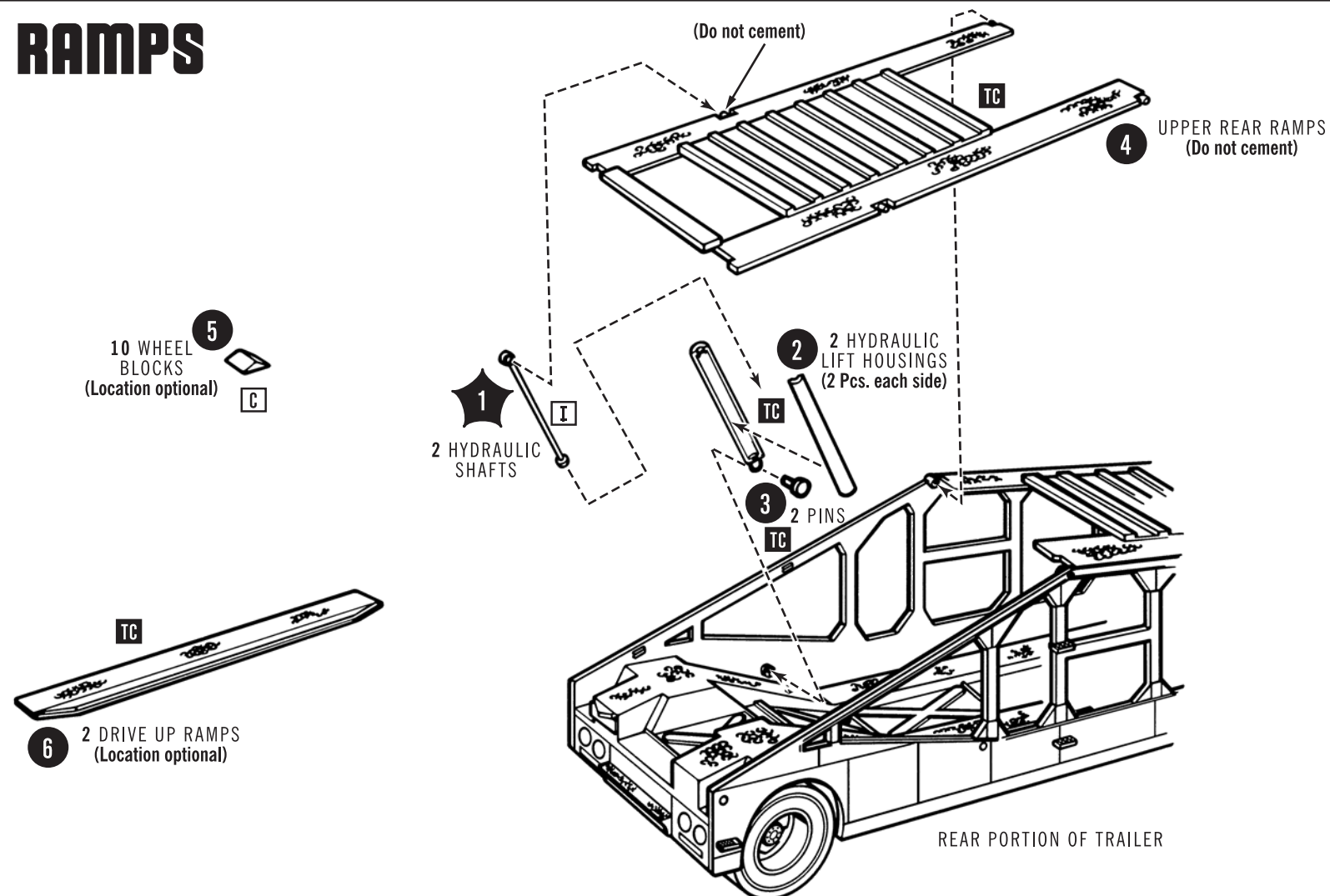


6. UNDERSIDE ASSEMBLIES



7. RAMPS



A1193-200

HAULAWAY TRAILER

READ THIS BEFORE YOU BEGIN

Look over this instruction sheet carefully before you begin building. Follow the assembly instructions and "test-fit" the parts without cementing. This will familiarize you with the location of the parts.

For the best results, the various sub-assemblies and components should be painted before any "chrome" parts are attached. For example: When attaching "non-chrome" body accessories, it is best to cement them in place and paint the body as a unit.

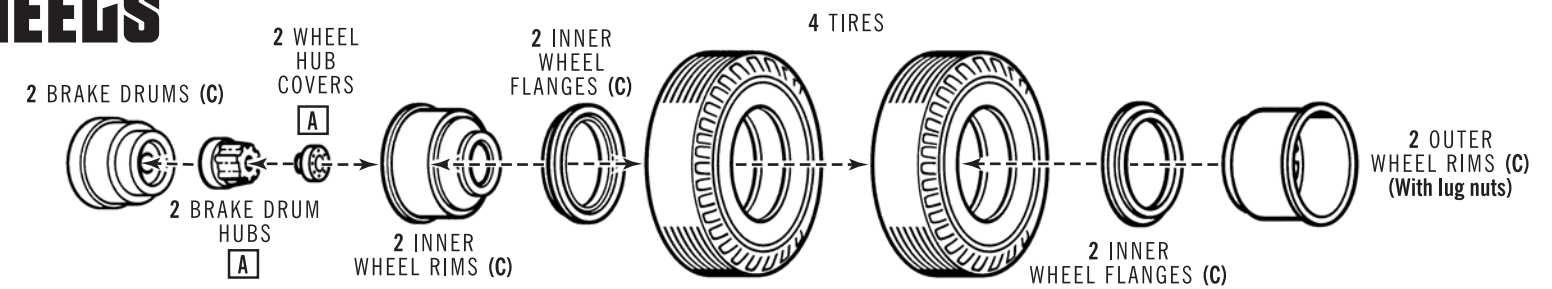
AMT® kits are molded from the finest High-Impact Styrene plastic. Use

only paint and cement made for Styrene. Trim excess plastic from parts before joining. When attaching "chrome" parts, scrape plating away where parts are to be joined. Use just enough cement to join parts, and be careful not to smear cement on exposed surfaces.

Built according to the instructions on this sheet, you should have no trouble assembling your kit. Just FOLLOW THE NUMBERS, as parts are numbered in order of assembly. (C) INDICATES "CHROME" PARTS.

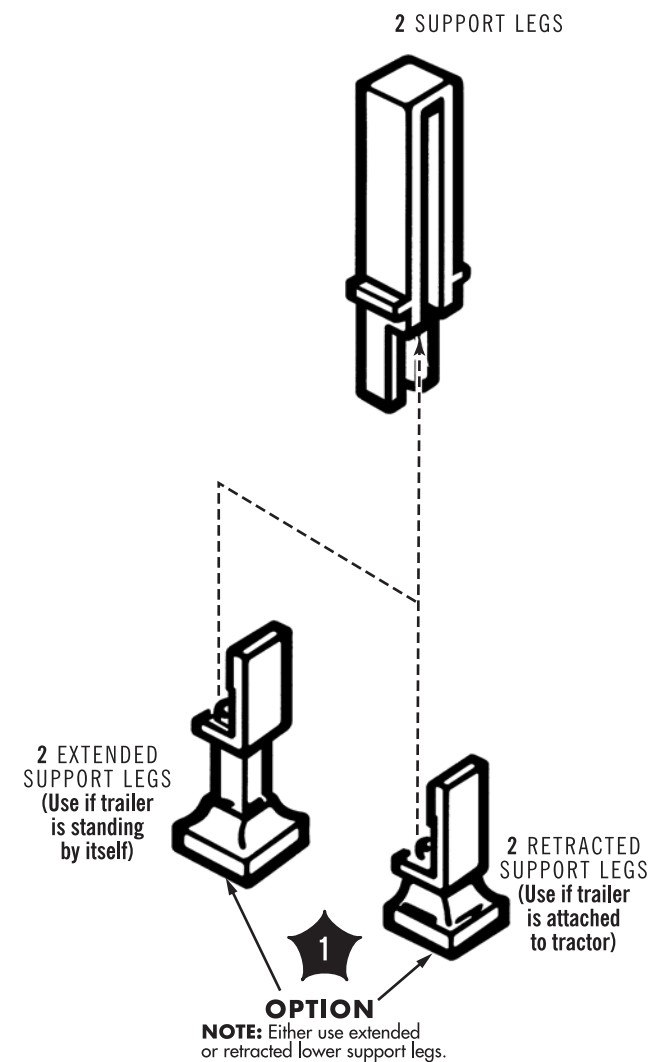
Cement all parts unless otherwise indicated.

1. WHEELS



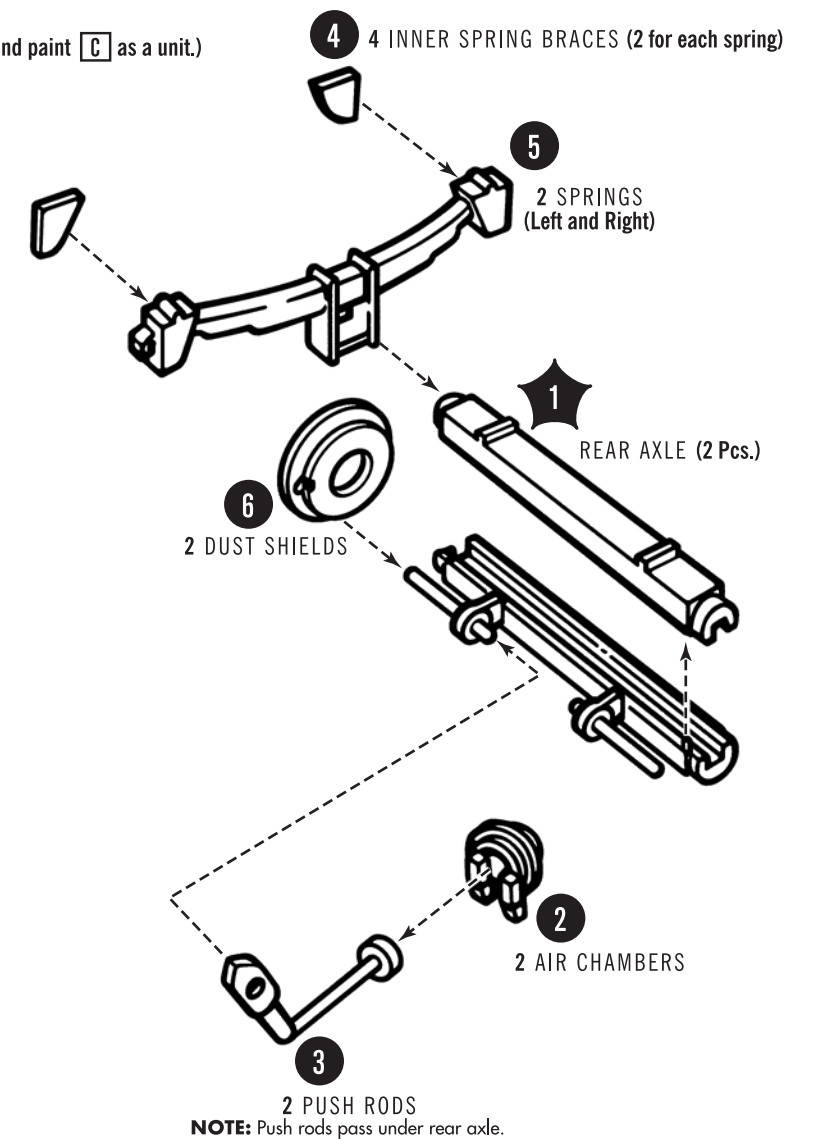
2. SUPPORT LEGS

(Assemble and paint (C) as a unit.)



3. REAR SUSPENSION

(Assemble and paint (C) as a unit.)



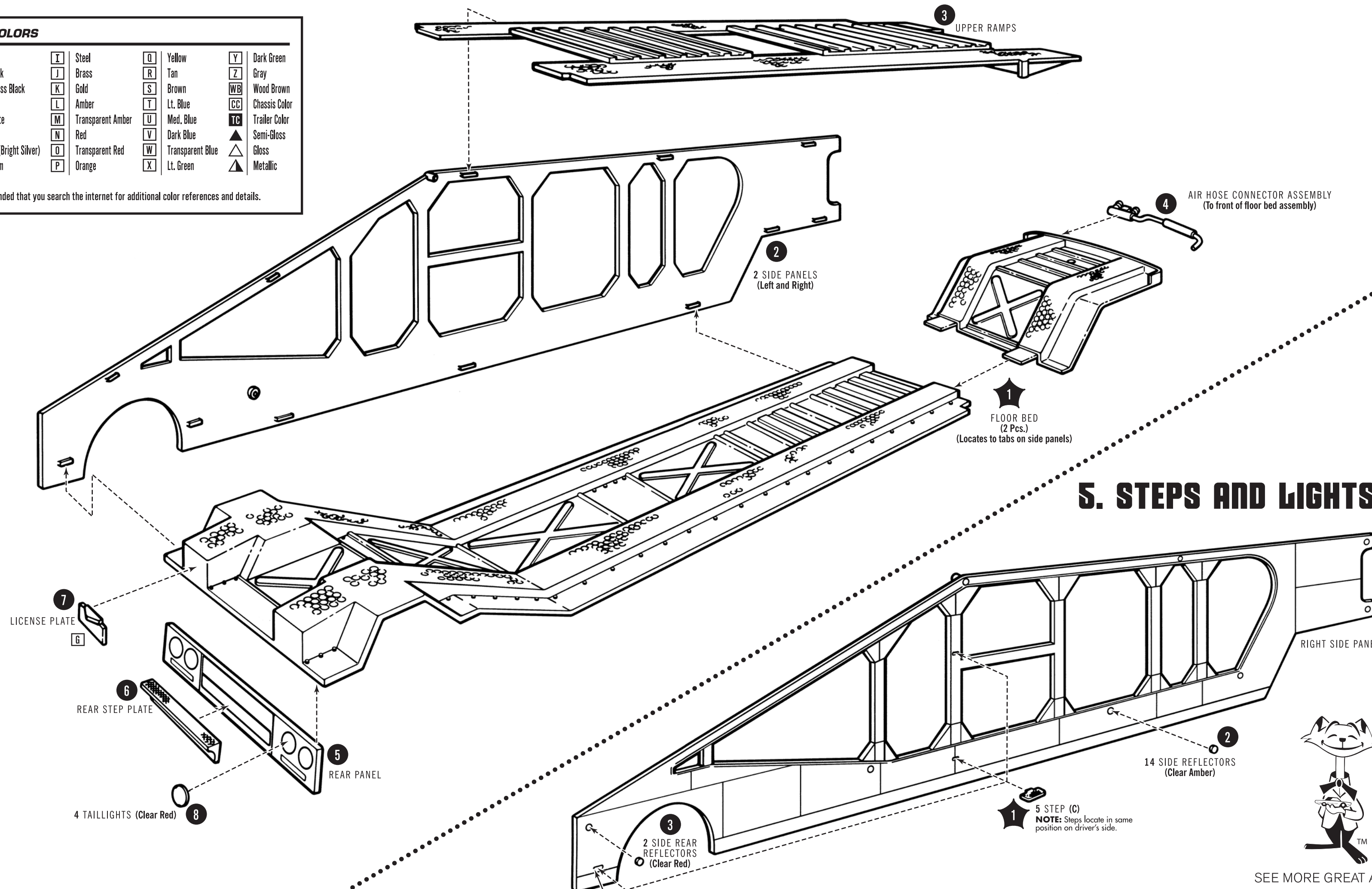
4. TRAILER BODY

(Assemble and paint TC as a unit, except where noted.)

PAINT COLORS

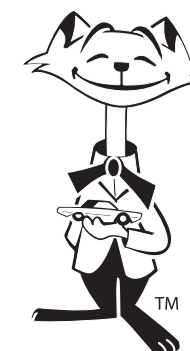
A	Black	I	Steel	Q	Yellow	Y	Dark Green
B	Flat Black	J	Brass	R	Tan	Z	Gray
C	Semi-Gloss Black	K	Gold	S	Brown	WB	Wood Brown
D	White	L	Amber	T	Lt. Blue	CC	Chassis Color
E	Flat White	M	Transparent Amber	U	Med. Blue	TC	Trailer Color
F	Silver	N	Red	V	Dark Blue	▲	Semi-Gloss
G	Chrome (Bright Silver)	O	Transparent Red	W	Transparent Blue	△	Gloss
H	Aluminum	P	Orange	X	Lt. Green	▲	Metallic

It is recommended that you search the internet for additional color references and details.



NOTE: Driver's side has no rear panel step.

5. STEPS AND LIGHTS



SEE MORE GREAT AMT KITS!
VISIT US ONLINE AT...
round2models.com