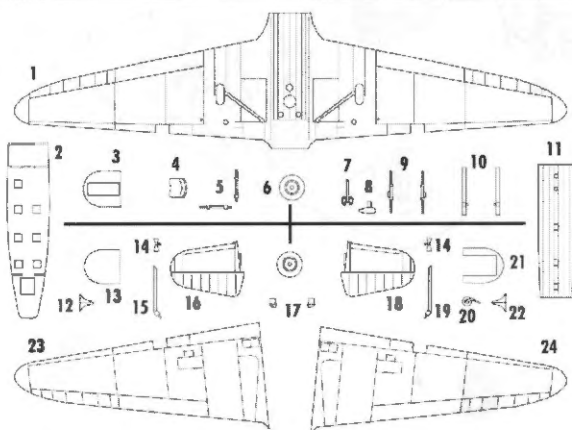




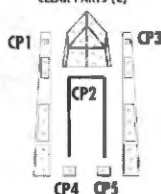
Airspeed Envoy - CHEETAH engine

scale 1/72

Pilot and eight-passenger enlarged and twin-engined development of the AS.5 Courier. First flown on 26 June 1934. About 50 built by Airspeed for British, Japanese, Czechoslovakian, Chinese and South African civil operators, plus a small number for the South African Air Force and the RAF (SAAF Envoy's carrying bombs and one forward-firing and one dorsal-turreted machine-gun). Mitsubishi also built a number under licence. Engines fitted to Envoy's included the Wolseley AR.9, Scorpio I or Aries III, Armstrong Siddeley Lynx IVC or Cheetah IX, Wright Whirlwind R.760 and Walter Castor II.



CLEAR PARTS (C)



POLYURETHAN PARTS (PUR)

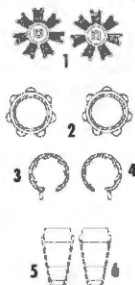
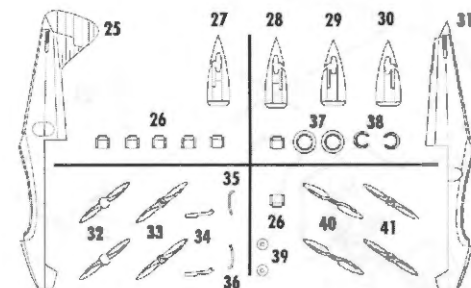


PHOTO-ETCHED PARTS (PP)

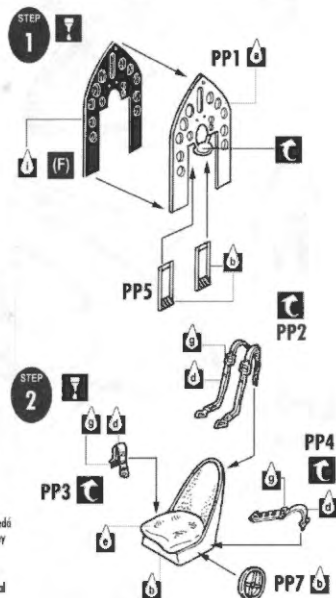


LEGEND

- | | | | | | | | | | |
|----------------|---|---------------------|-------------------|--------------------|---------------------------|------------------|----------------|---|--|
| | | | | | | | | | |
| ohnout
bend | vstřínové lepidlo
cyanoacrylate glue | odstranit
remove | upravit
reduce | vrtat
open hole | vyrobit
cut/rach build | obřískt
decal | barva
color | symetrická montáž
symmetrical assembly | |

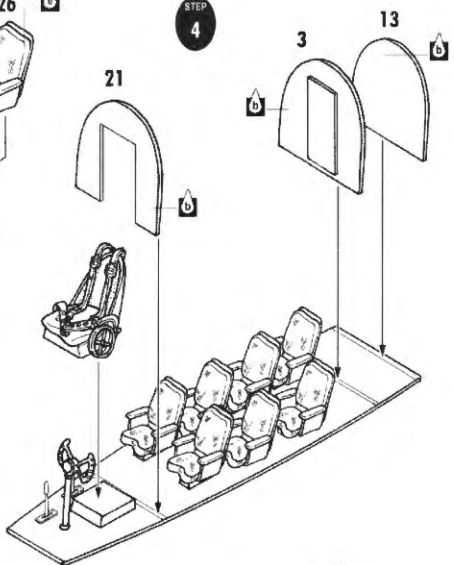
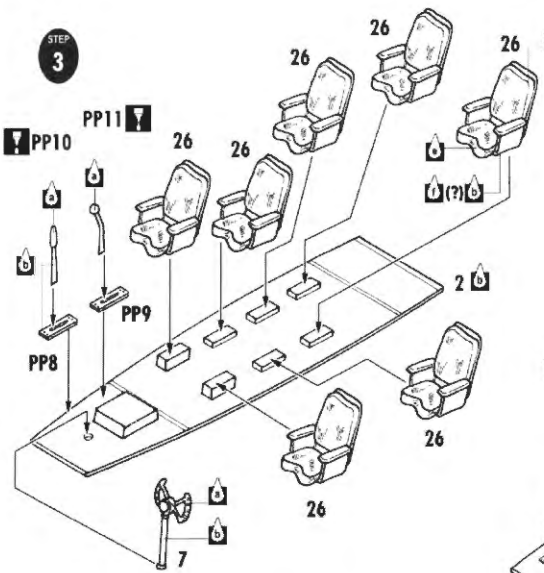
COLORS

- | | | | | | | |
|-----------------------------------|-------------------|------------------------|--------------------|-----------------|---------------------------|--------------------------|
| | | | | | | |
| Černá
Black | Sříbrná
Silver | Kůže
Leather | Chromová
Chrome | Bílá
White | Pneumatiky
Tyran Black | Temná sedla
Dark Grey |
| | | | | | | |
| Interiér zelená
Interior Green | Pláno
Linen | Hliníková
Aluminium | Červená
Red | Žlutá
Yellow | Rezaví
Rust | Kavrové
Gun metal |



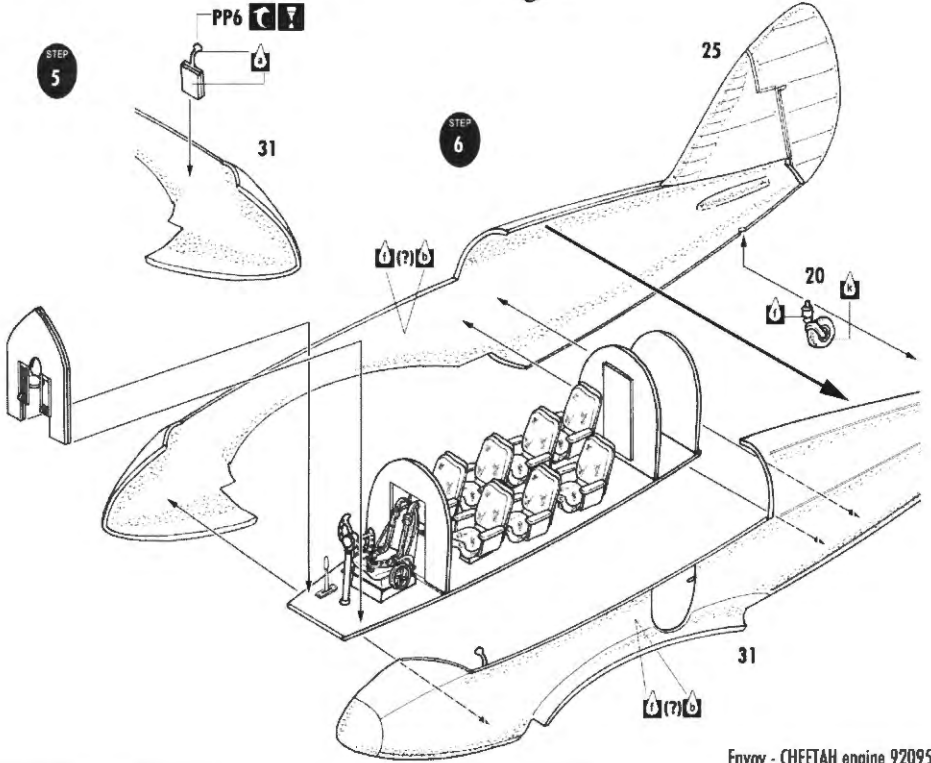
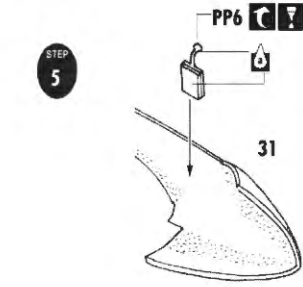
STEP 3

STEP 4



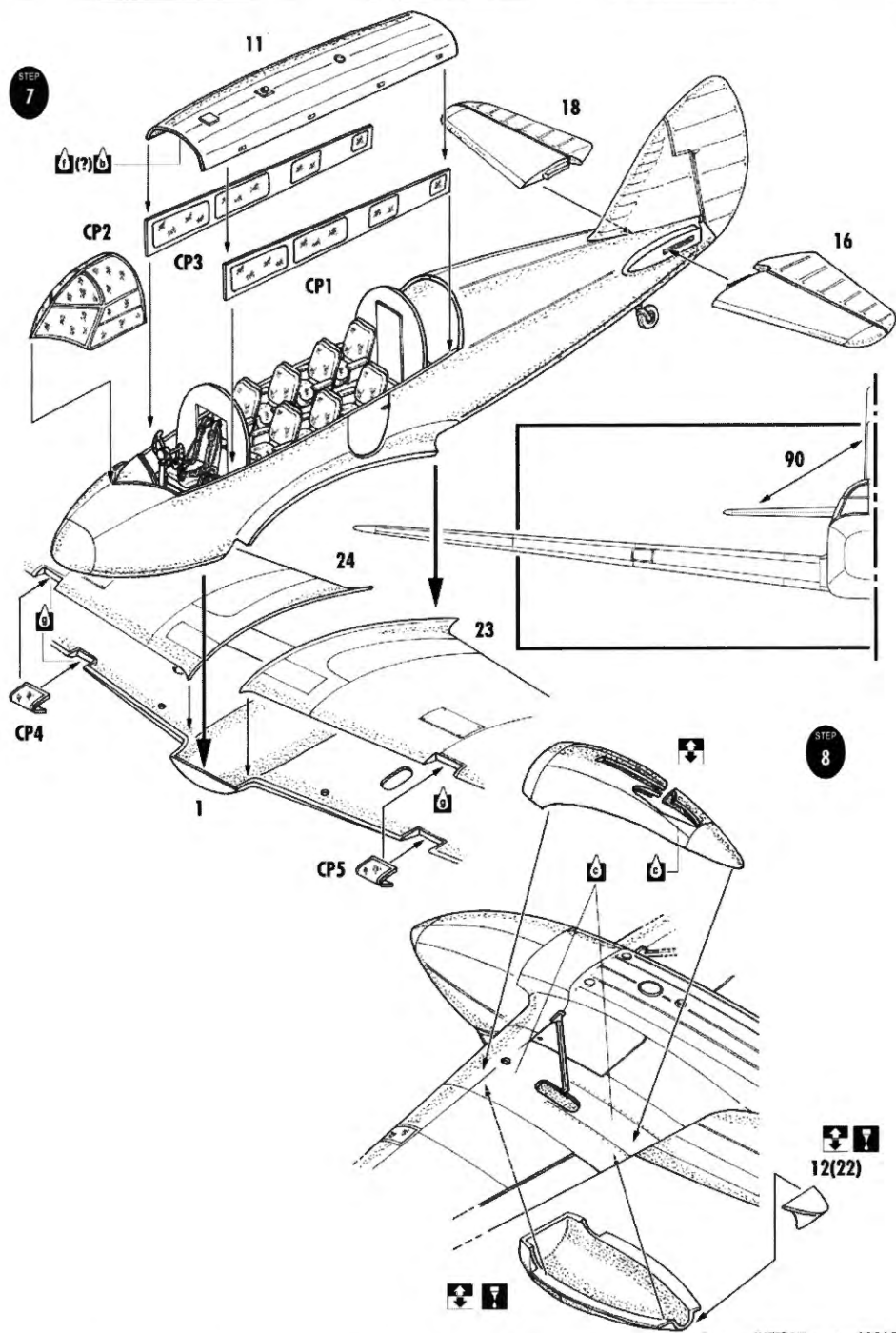
STEP 5

STEP 6



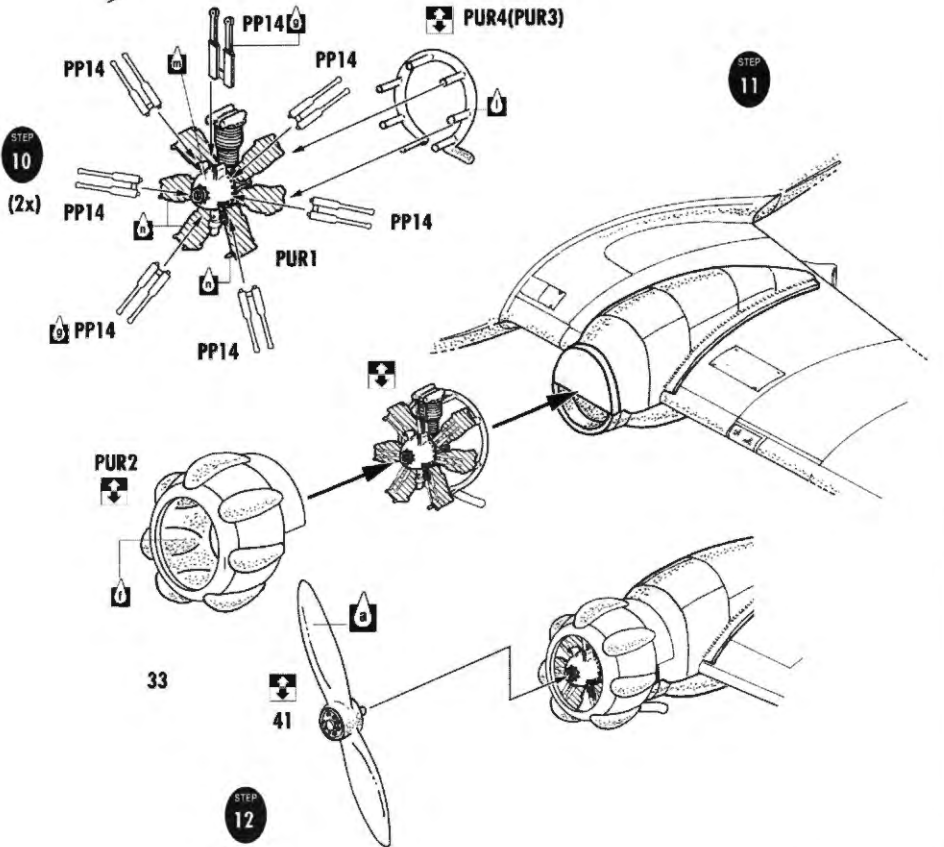
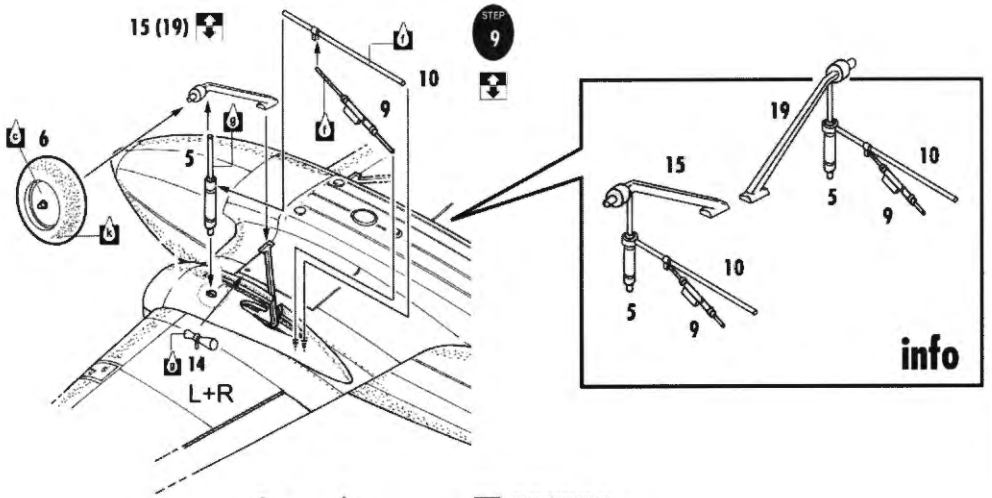
Envoy - CHEETAH engine 92095

STEP
7

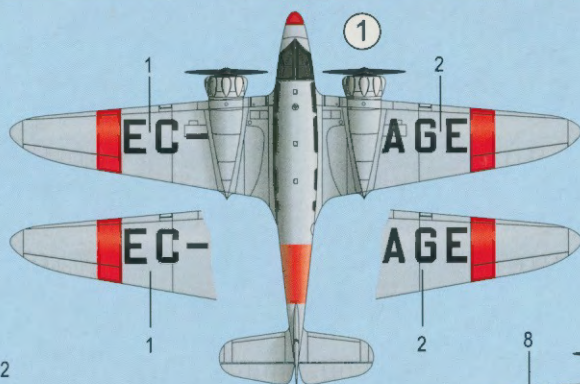
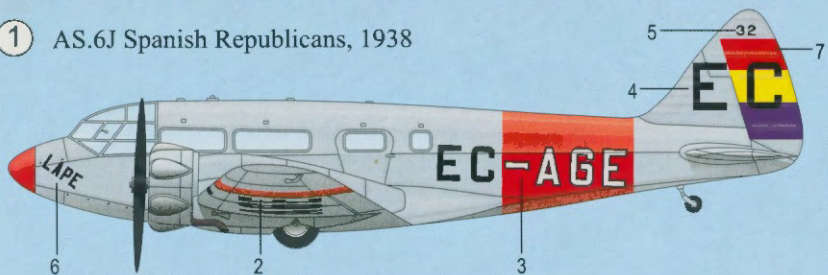


STEP
8

Envoy - CHEETAH engine 92095

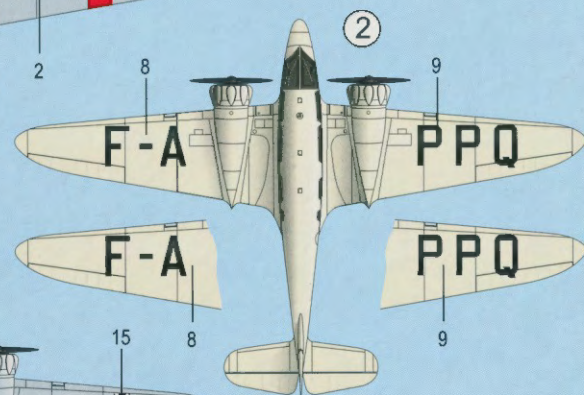
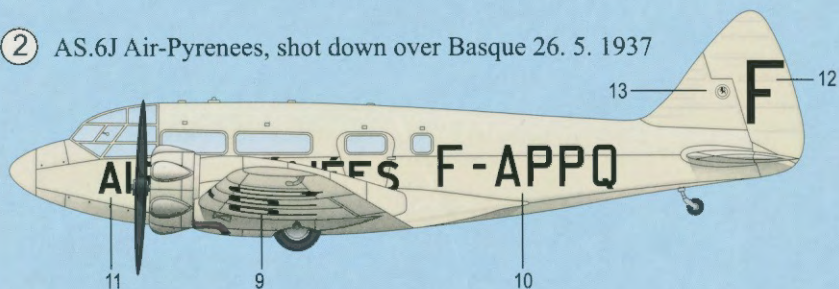


① AS.6J Spanish Republicans, 1938

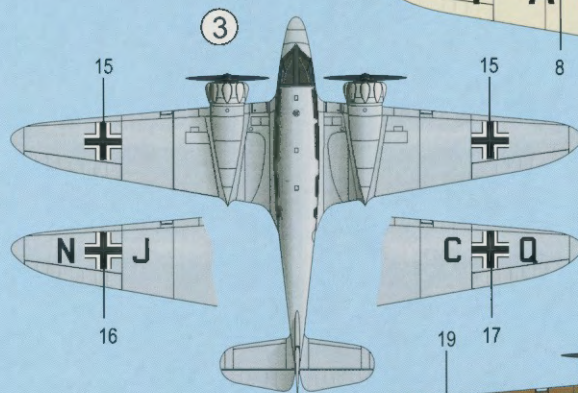
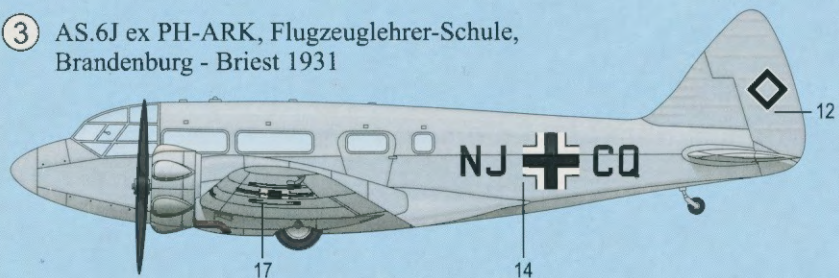


- Černá / Black
- Krémová / Cream
- Červená / Red
- Stříbrná / Silver

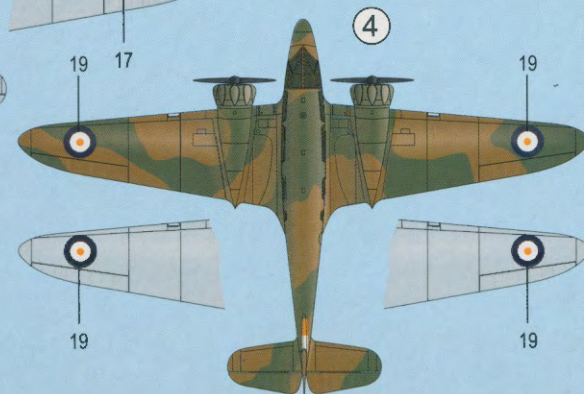
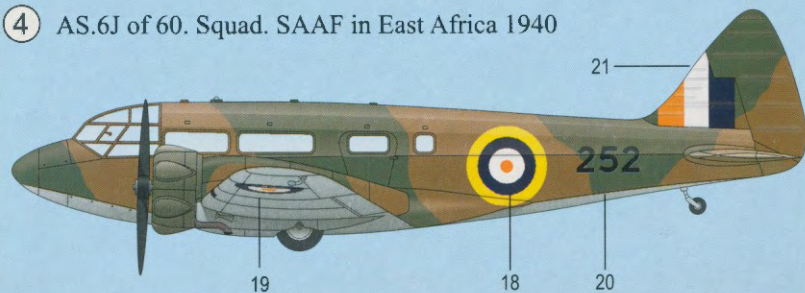
② AS.6J Air-Pyrenees, shot down over Basque 26. 5. 1937



③ AS.6J ex PH-ARK, Flugzeuglehrer-Schule, Brandenburg - Briest 1931



④ AS.6J of 60. Squad. SAAF in East Africa 1940



- Tmavě zelená / Dark Green
- Zemitě hnědá / Dark Earth
- Černá / Black
- Světle šedá / Light grey