

EE-T2 OSORIO

巴西EE-T2奥索里奥



cyanoacrylate glue
使用强力胶



weight
配重



make hole
钻孔



cut / remove
切除



bend
弯曲



file / sand
锉平



option
选择



no cement
不涂胶



decal
贴纸

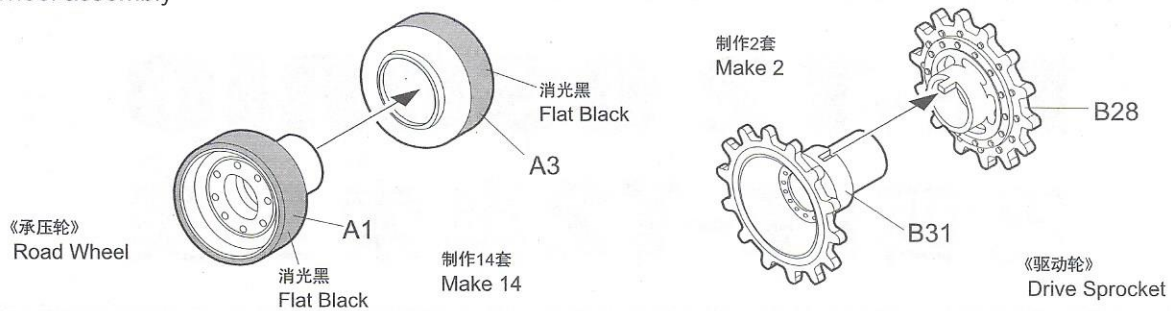
水贴纸的使用

1. 从水贴纸上剪下印花;
2. 将印花放入温水中浸10秒, 然后放在干净布上。
3. 拿着印花纸板将印花移到模型上;
4. 手指蘸水将印花移到适当的位置;
5. 用软布轻压印花直至水干, 气泡消失。

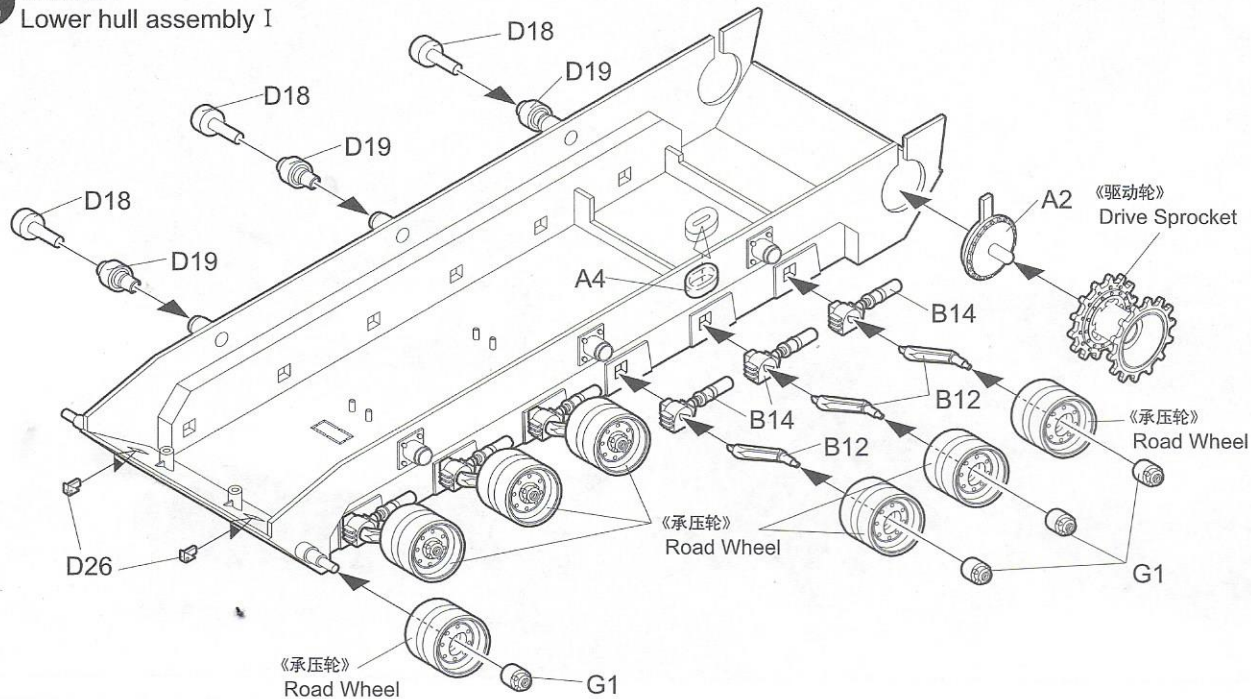
DECAL APPLICATION

1. Cut off decal from sheet.
2. Dip the decal in tepid water 40°C for about 10 sec. and place on a clean cloth.
3. Hold the backing sheet edge and slide decal onto the model.
4. Move decal into position by wetting decal with finger.
5. Press decal gently down with a soft cloth until excess water and air bubbles are gone.

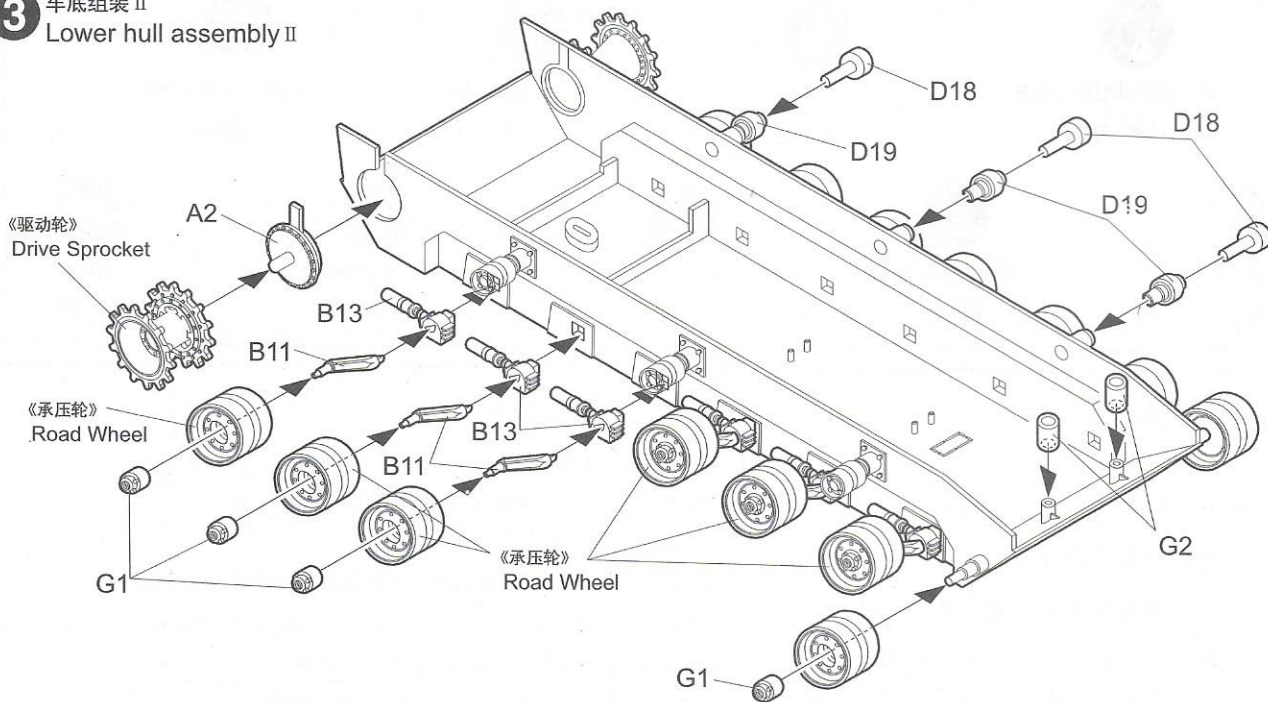
1 车轮组装
Wheel assembly



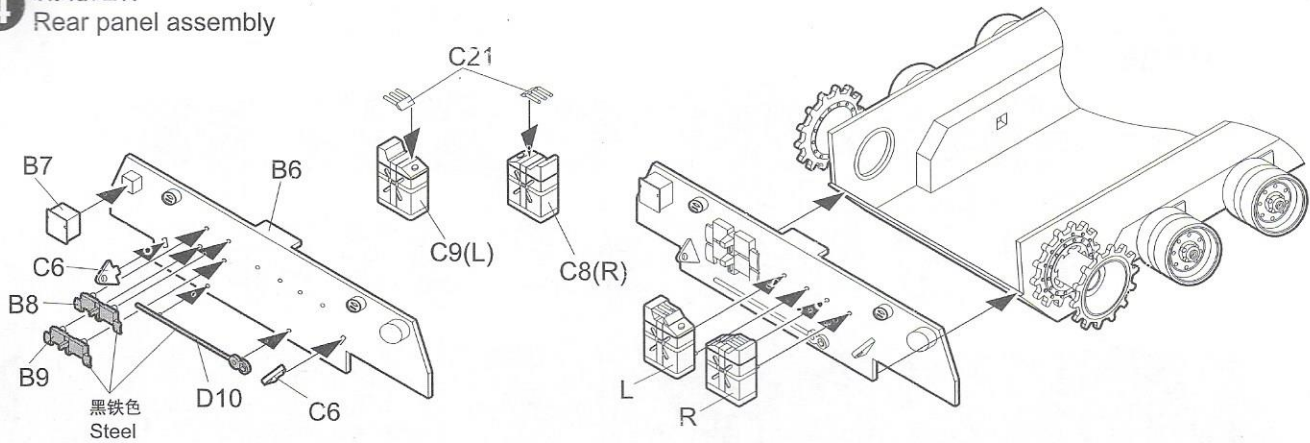
2 车底组装 I
Lower hull assembly I



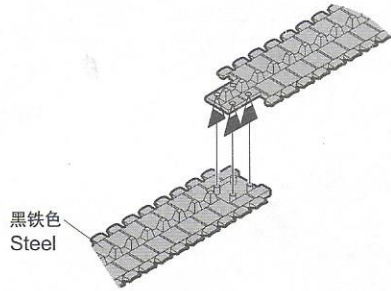
3 车底组装 II
Lower hull assembly II



4 后挡板组装
Rear panel assembly



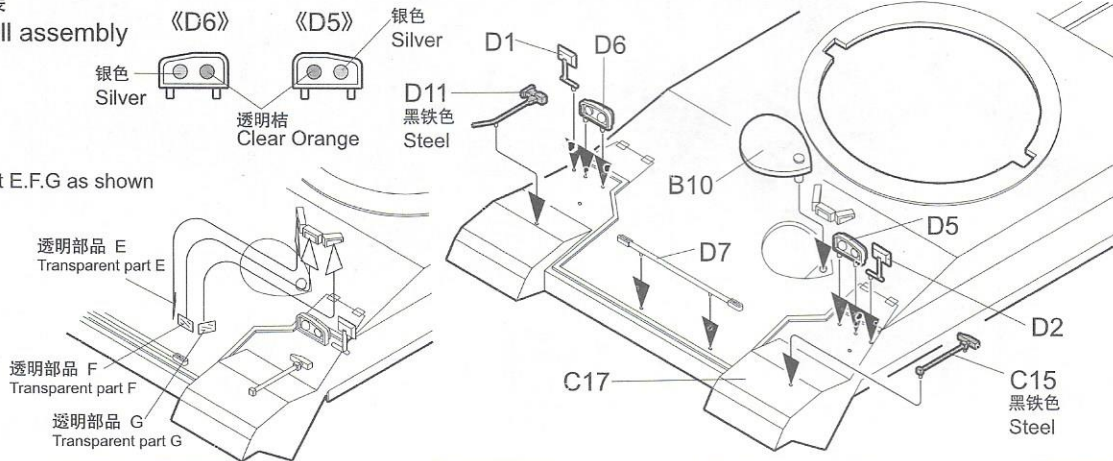
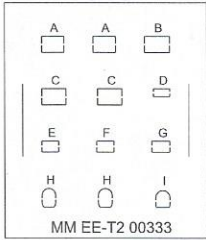
5 履带连接
Track construction



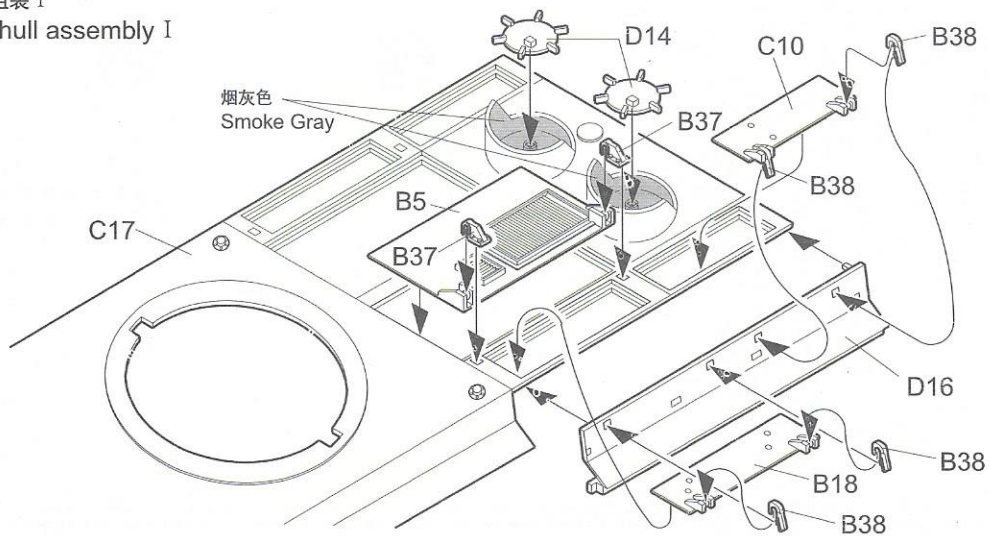
- ★根据实际要求选择履带尺寸。
- ★用热铁钉软化接头，用手指压下接头。
- ★若履带断裂，用细丝线固定。
- ★Melt pin heads carefully with a heated nail etc. Immediately press pin heads with your finger.
- ★If track is broken strengthen with staples or thread.

6 车体上部前部组装
Fore upper hull assembly

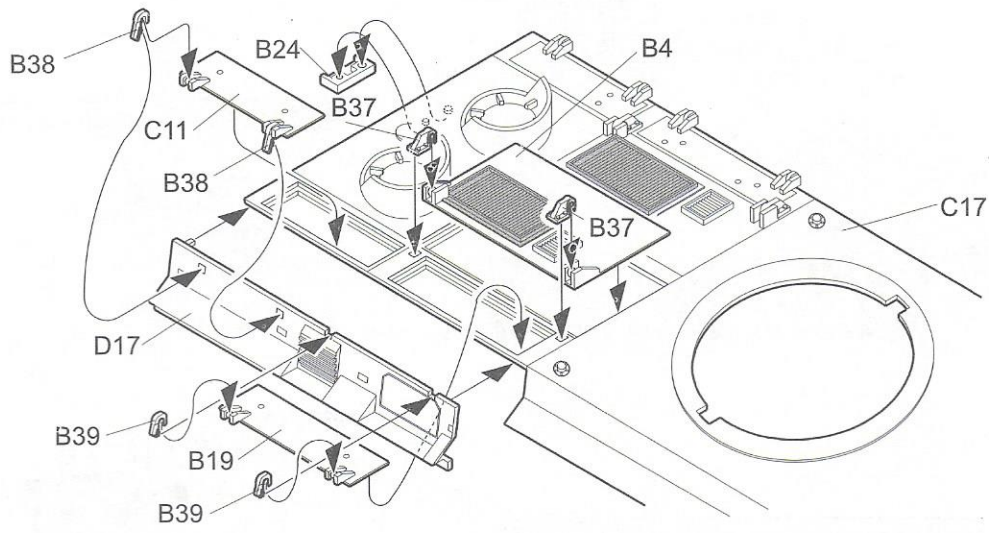
用小刀切下透明部品 E.F.G
Cut out transparent part E.F.G as shown



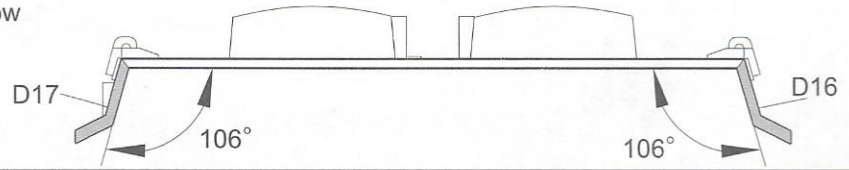
7 车体上部后部组装 I
Rear upper hull assembly I



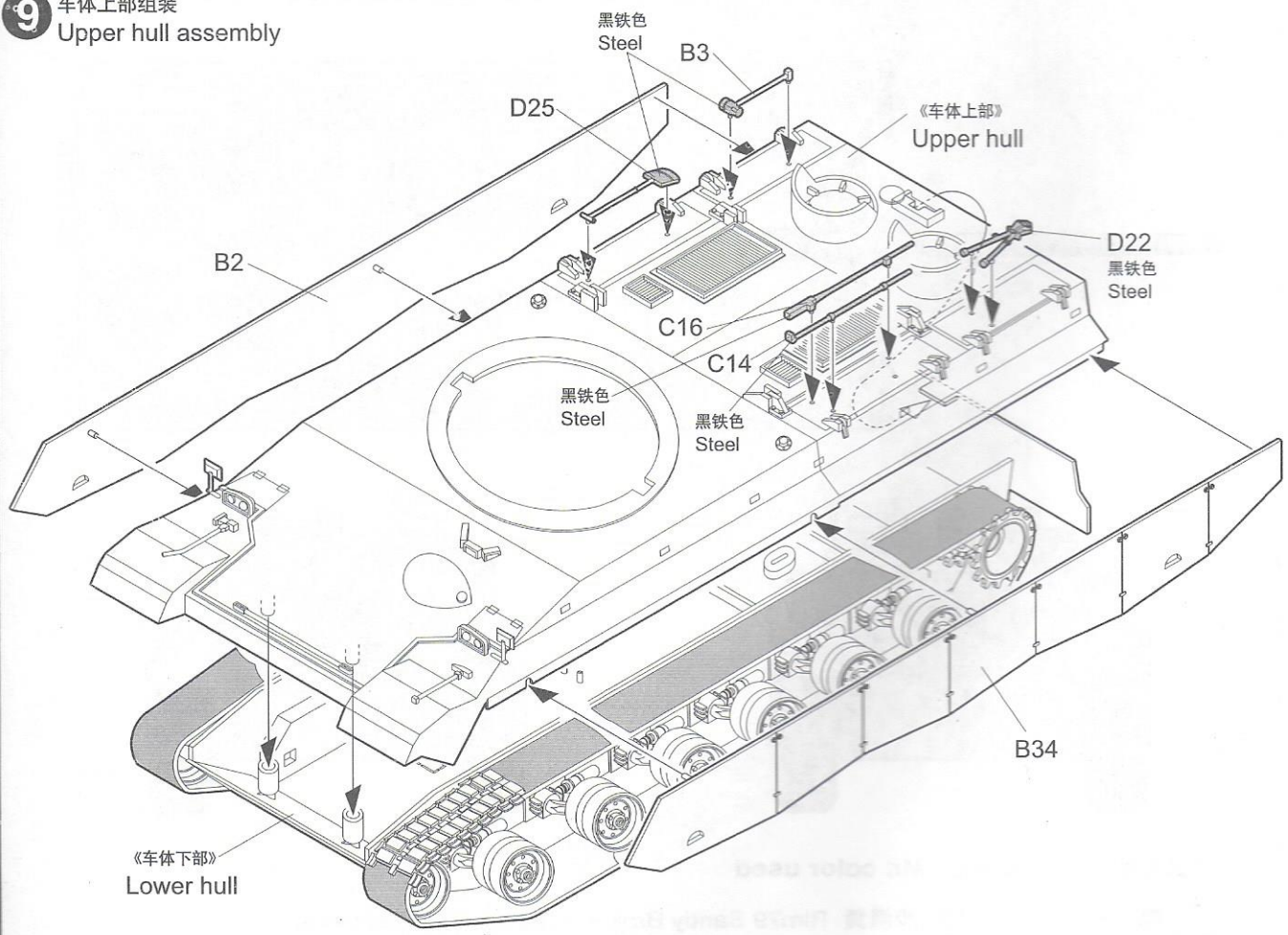
8 车体上部后部组装 II
Rear upper hull assembly II



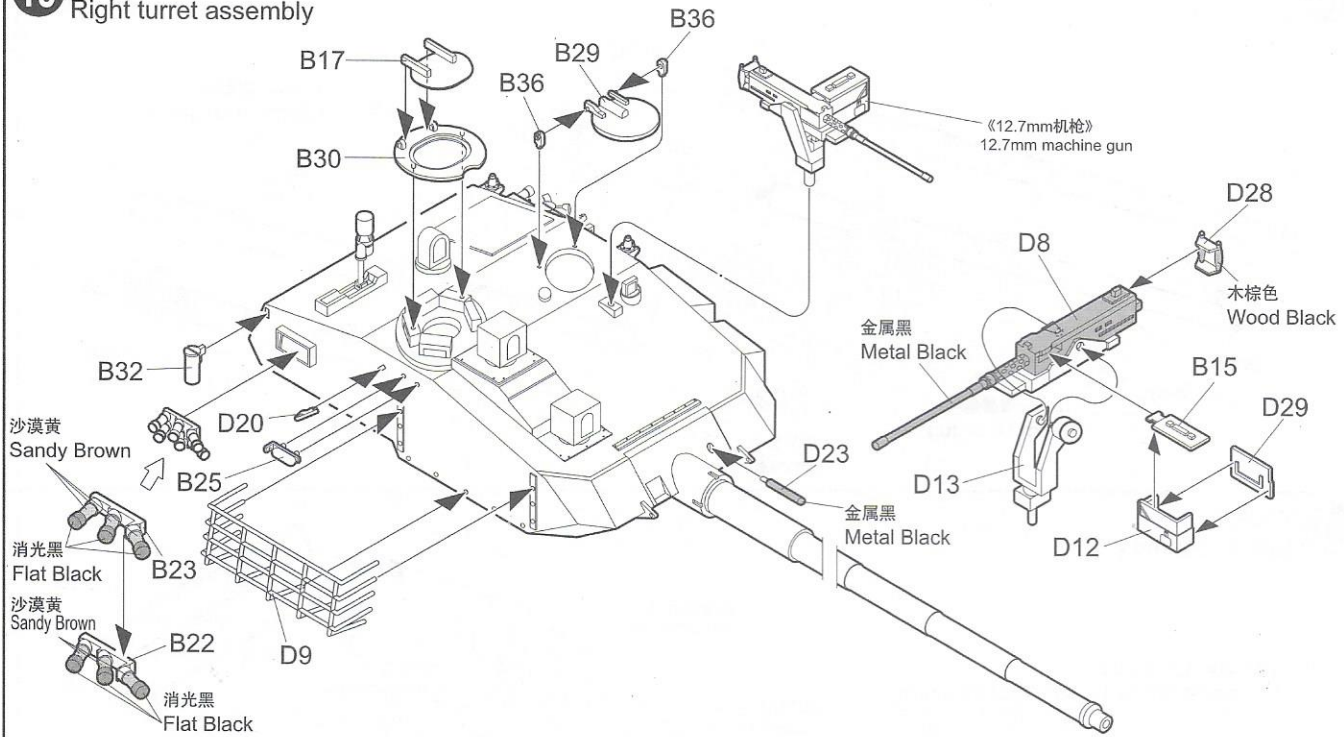
《测量安装角度示意图》
As shown below



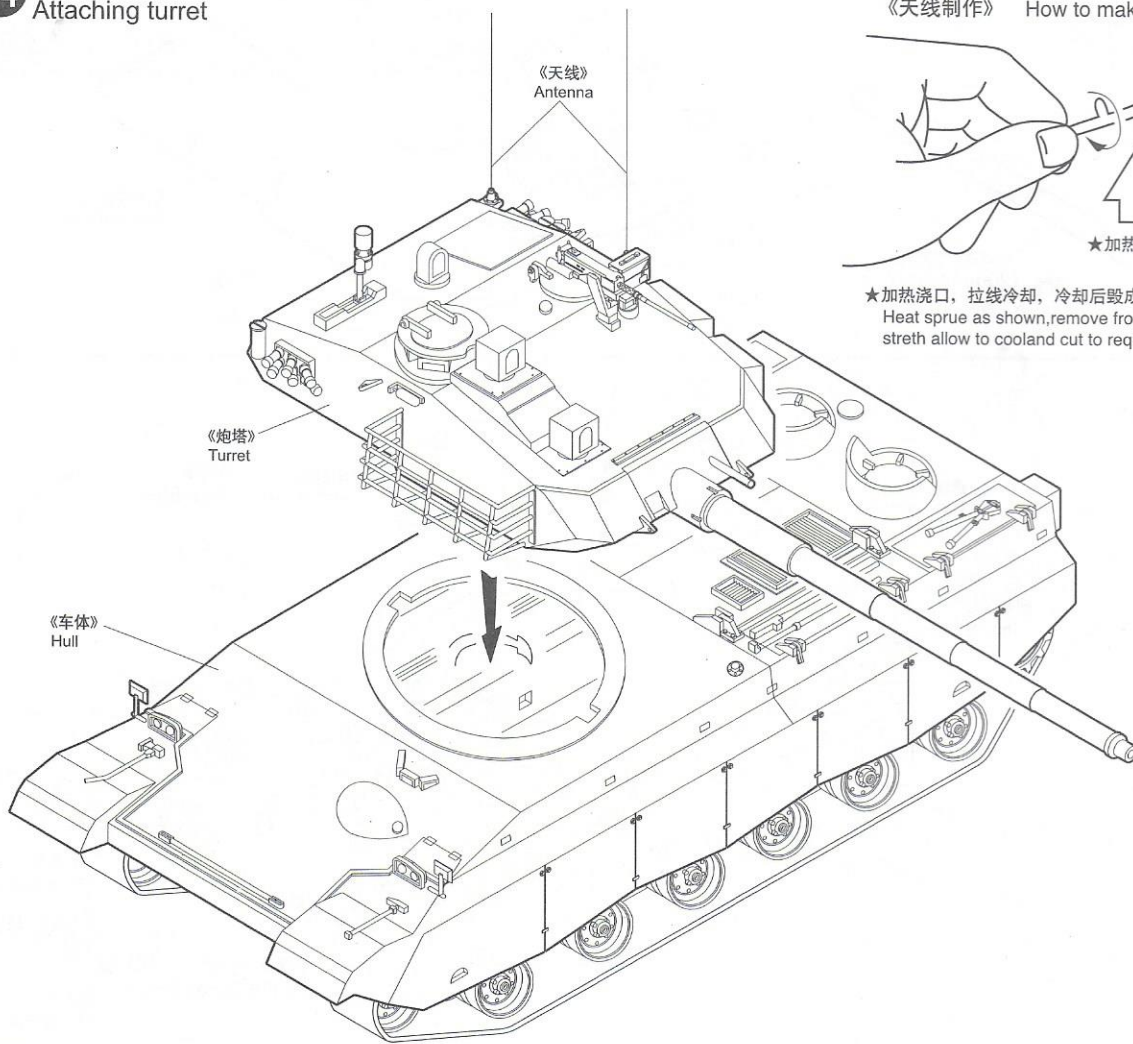
9 车体上部组装
Upper hull assembly



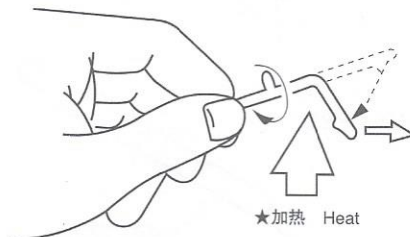
13 右侧炮塔组装
Right turret assembly



14 炮塔连接
Attaching turret

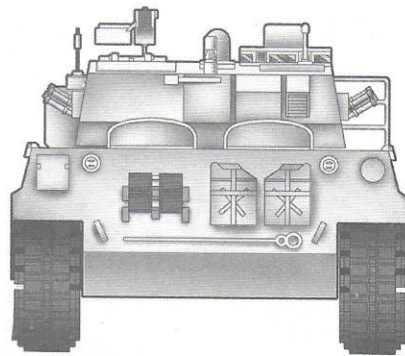
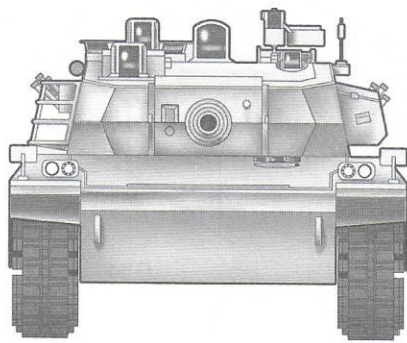
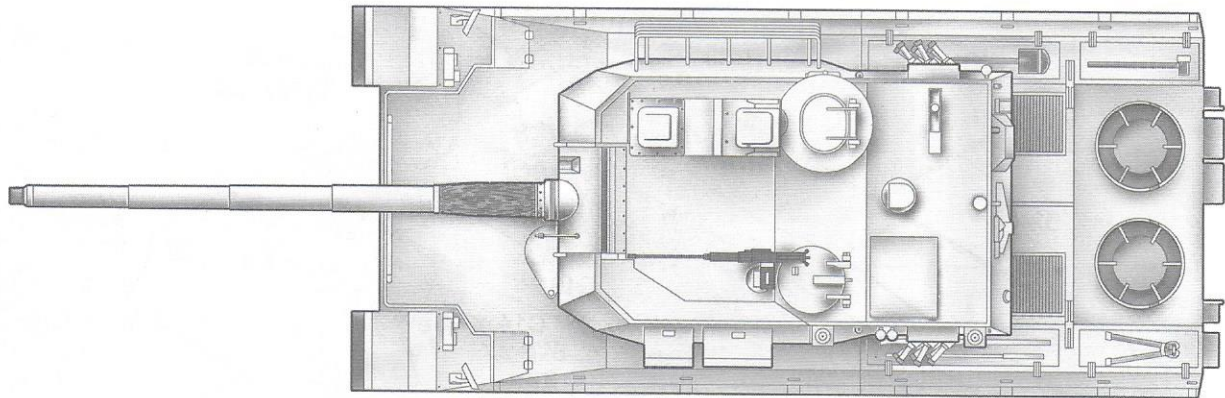
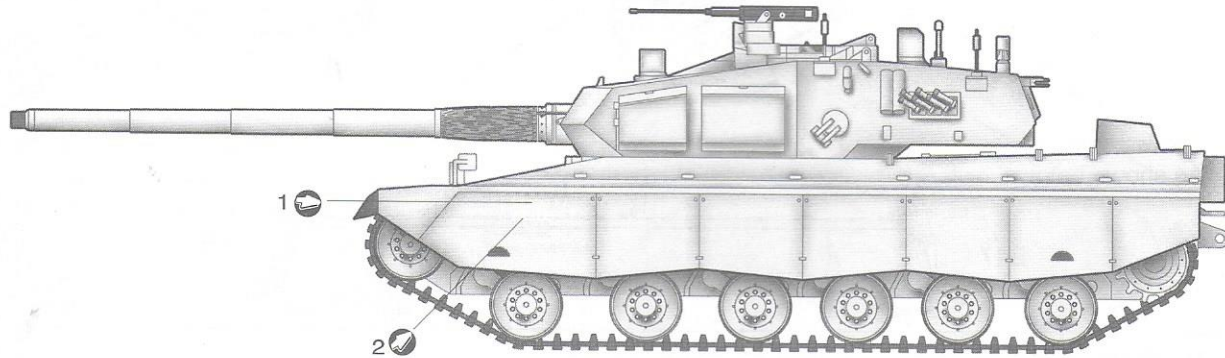
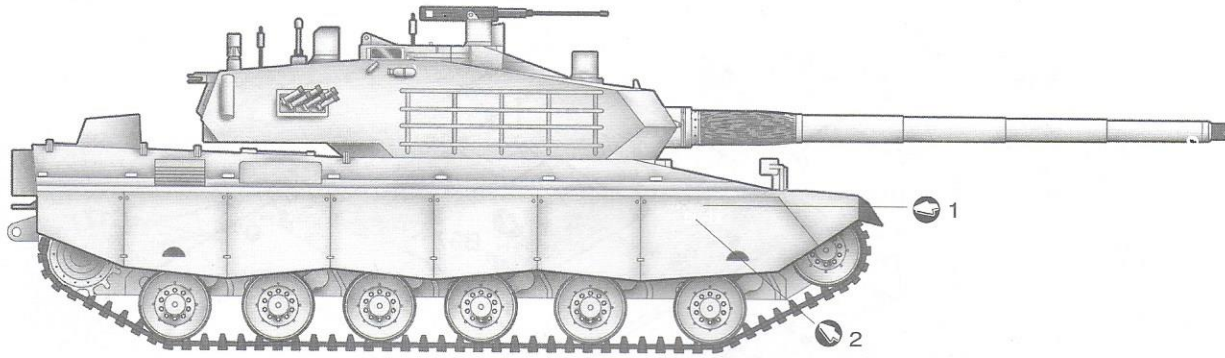


《天线制作》 How to make antenna



★加热浇口，拉线冷却，冷却后毁成所需长度。
Heat sprue as shown, remove from flame and stretch allow to cool and cut to required length.

涂装同标贴指示
Painting & Marking guide



郡仕色使用

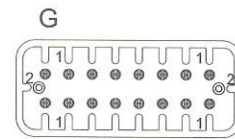
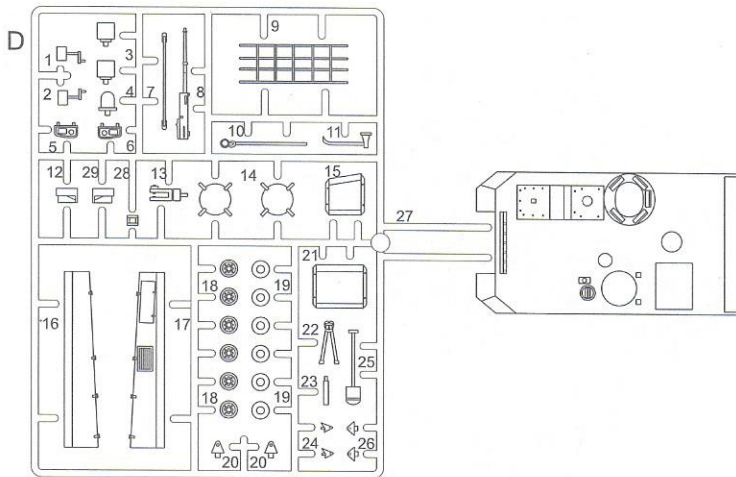
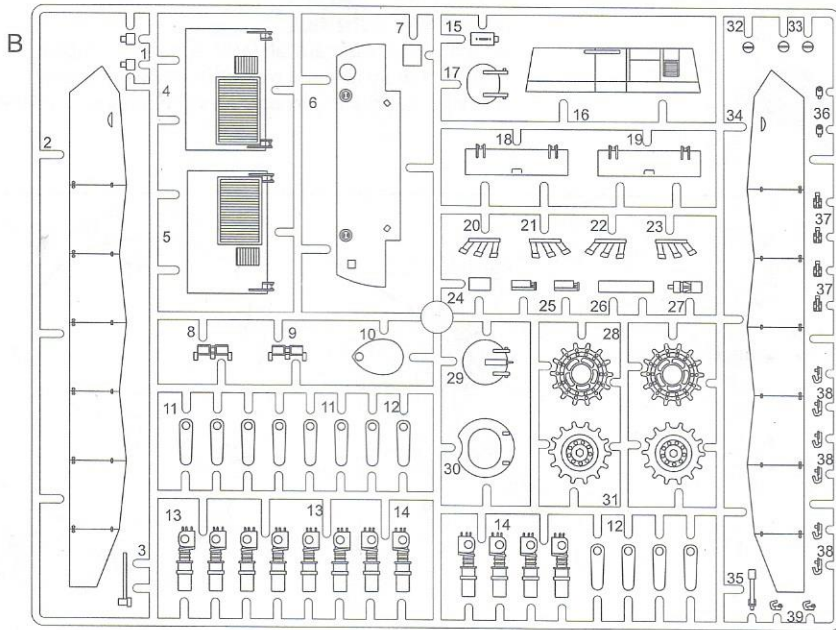
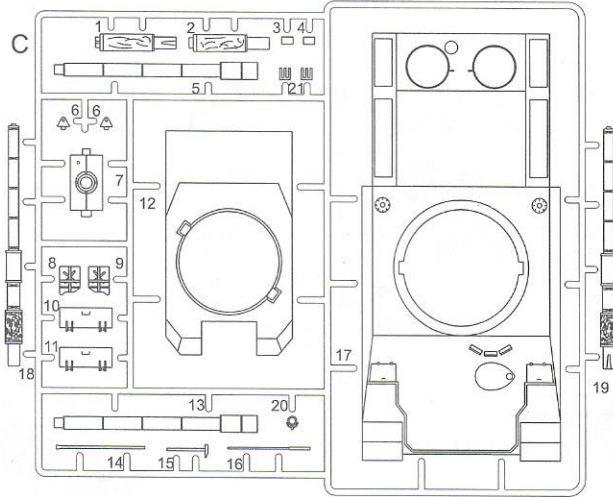
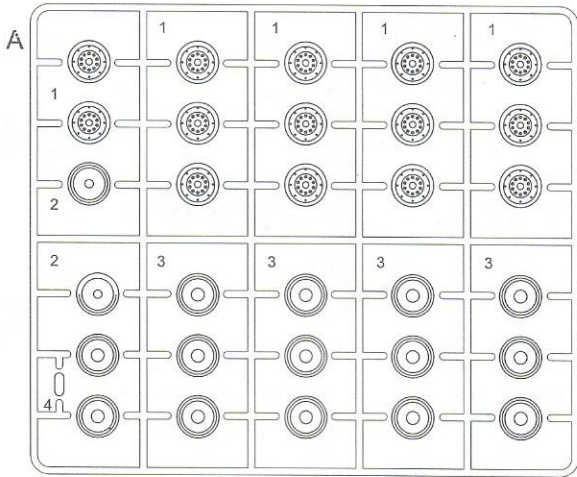
Gunze Mr. color used

19 + 62
90% + 10%

19 沙漠黄 Rlm79 Sandy Brown

62 消光白 Flat White

Parts



履带X2

