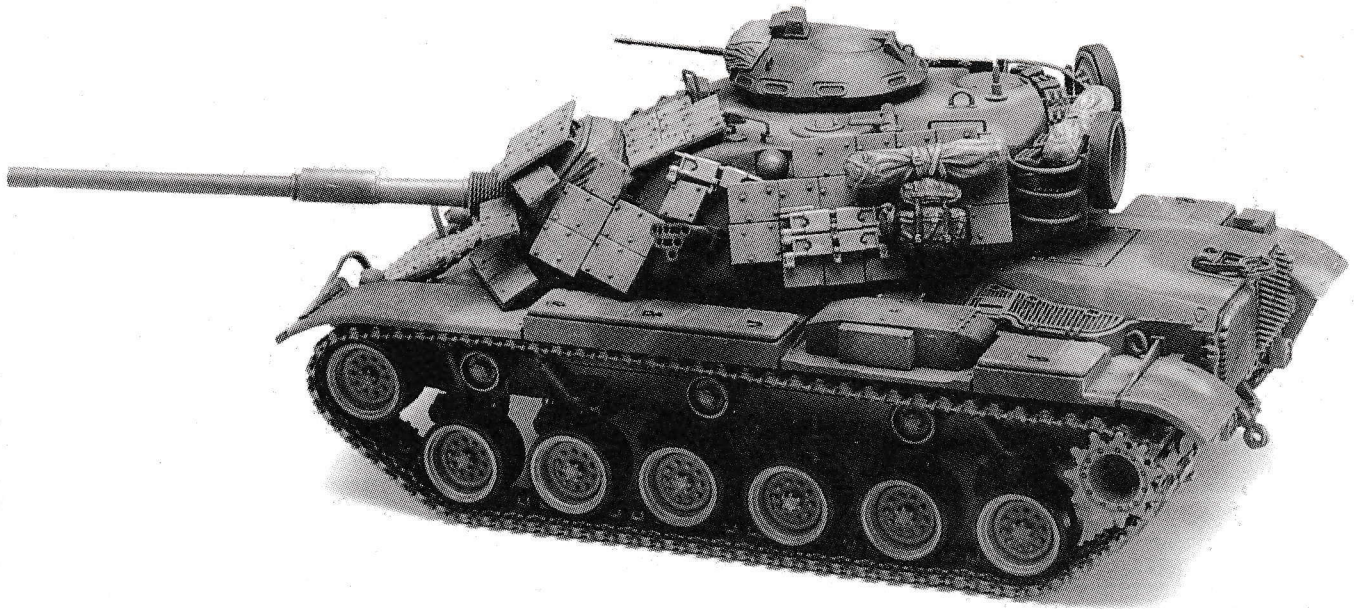


USMC M60A1 PATTON

RISE/PASSIVE

ACADEMY

HOBBY MODEL KITS



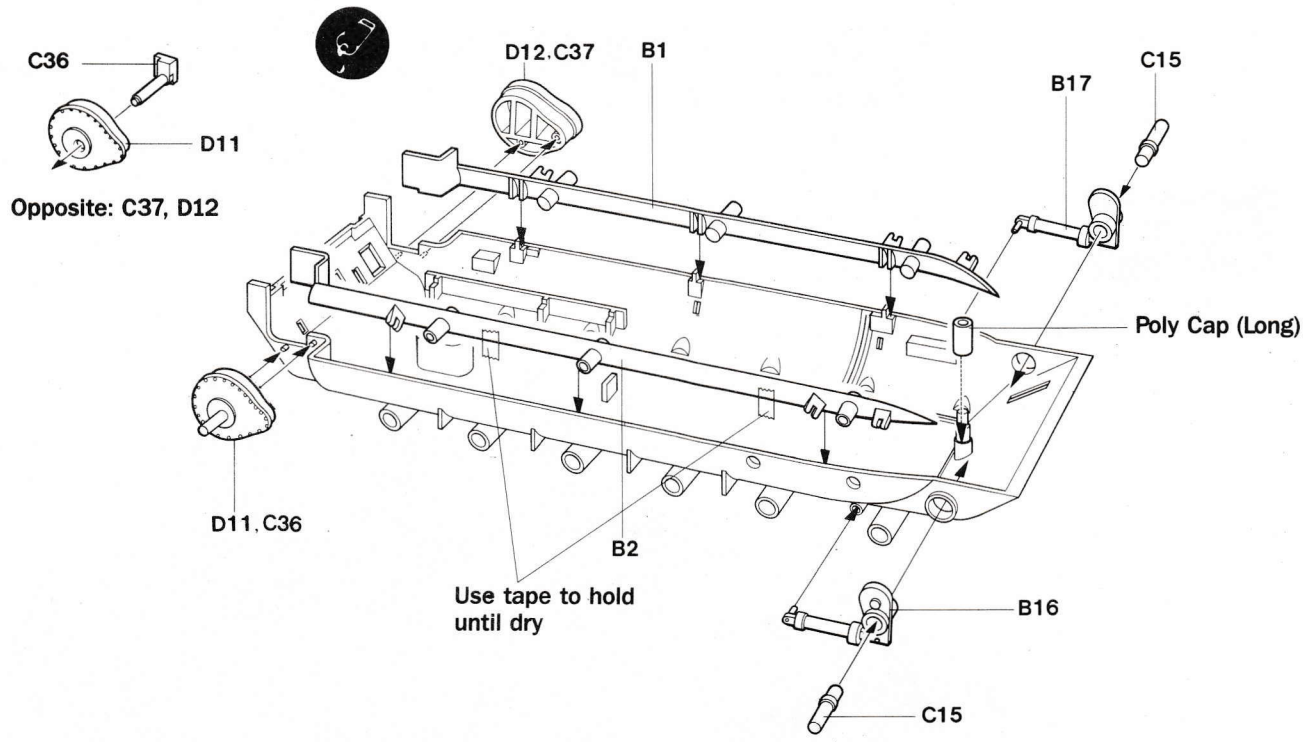
Evolution best describes the development of the **M60A1 Patton** tank. Inspired by the M26 Pershing and a direct descendent of the M46/M47/M48 development process, the **M60** was designed to counter the heavily armed Russian T-54 of the mid-fifties.

Resembling an M48, the **M60** carried more fire power in the form of a 105 mm cannon and had a greater range due to its diesel engine. In addition, the turret was completely redesigned into a more elongated shape. The rangefinder mechanism was changed from the troublesome stereoscopic variety to a much better coincidence rangefinder. The basic shape of the hull was modified to give greater armor protection in the frontal area.

The recent addition of passive armor has made the **M60A1** into a highly effective main battle tank with superior defensive armor. Proven in action by the Israeli army, the US Army designed its own reactive armor system that can be mounted on the **Patton**. When hit by an enemy round, larger than a rifle bullet, the passive armor explodes, deflecting the incoming cannon or grenade projectile. Of course, being expendable, any "used" passive armor blocks must be replaced before seeing any action again.

The **M60A1 Patton** carries a crew of four men; is armed with a 105 mm cannon, one 50 caliber machine gun and one 7.62 mm machine gun. It can travel at a maximum speed of 30 miles per hour and has a range of 300 miles. Weighing a 102,000 pounds when combat ready, The **Patton** definitely meets the qualification for a heavy tank.

1 Hull Assembly A

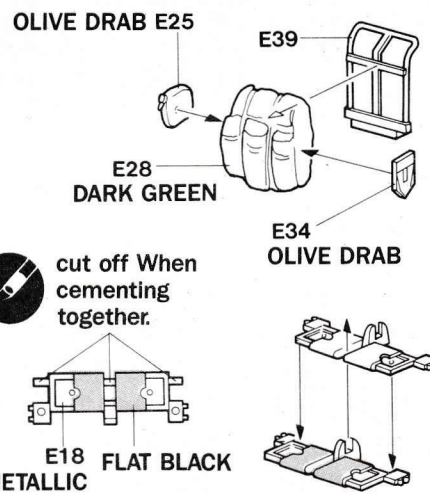


Opposite: C37, D12

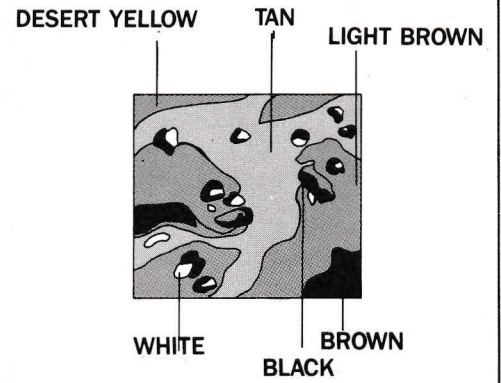
• Camouflage Net



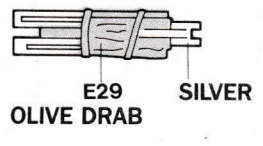
• Alice Pack



• Uniform Camouflage pattern

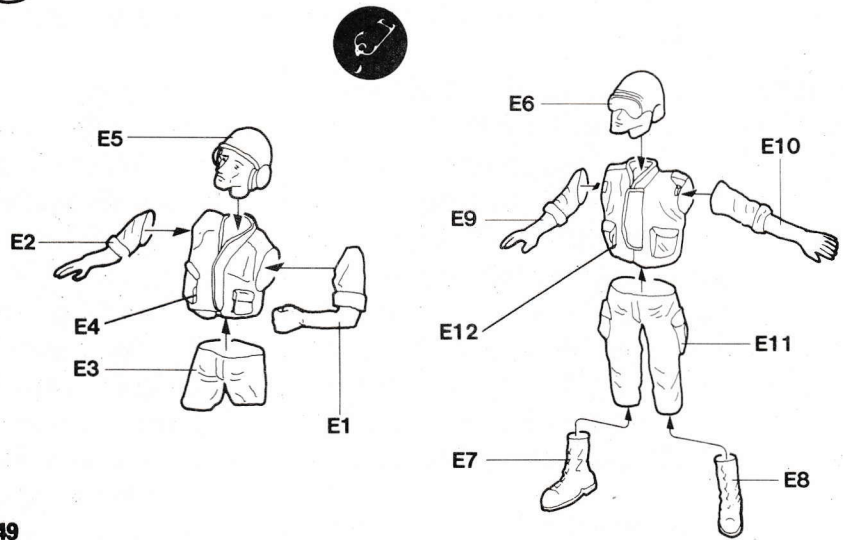


• Bedroll

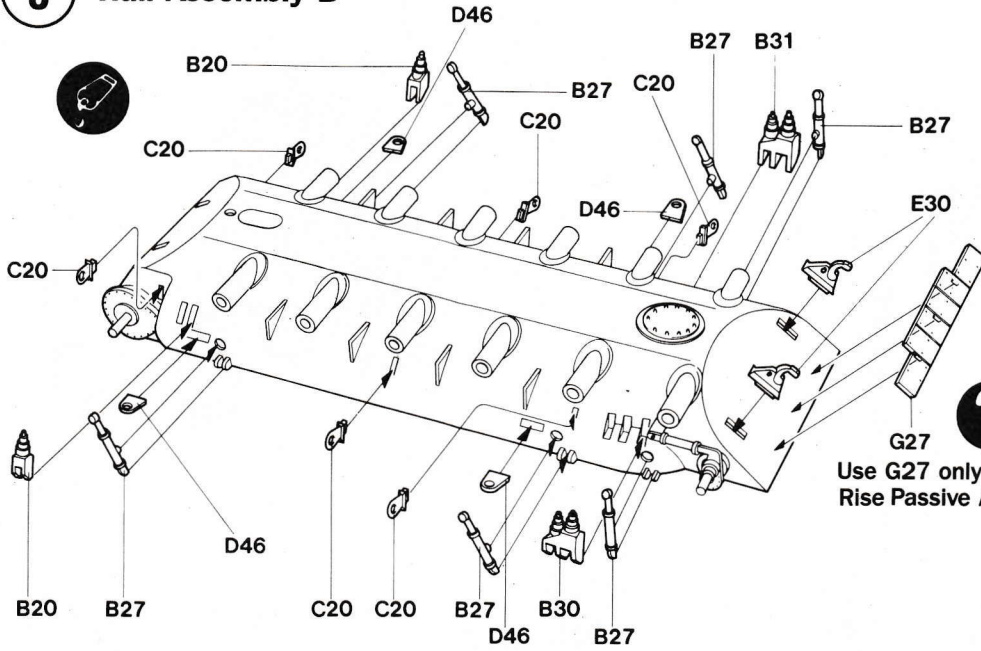


cut off When cementing together.

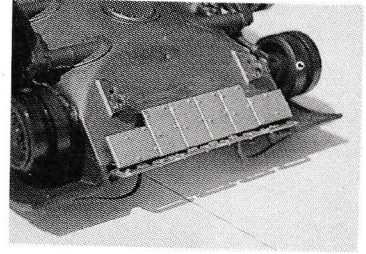
2 Figure Assembly and Painting



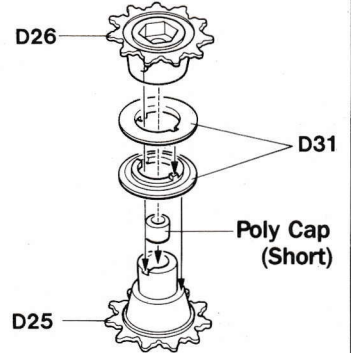
3 Hull Assembly B



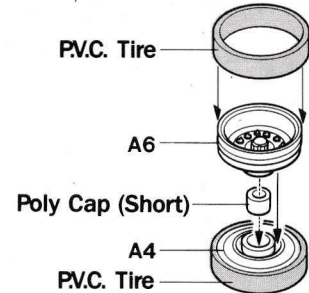
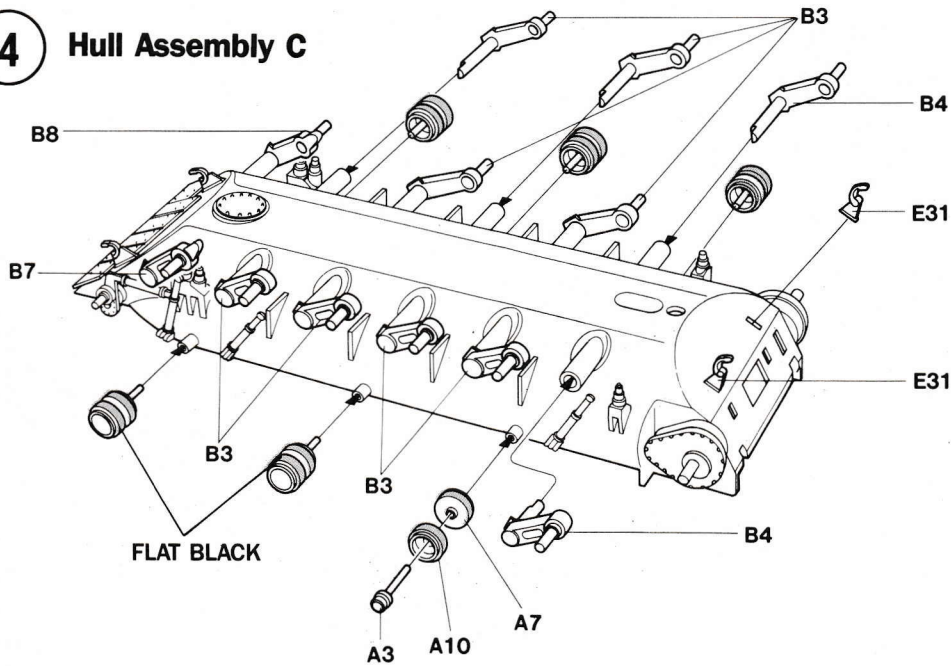
• G27 Placement



2

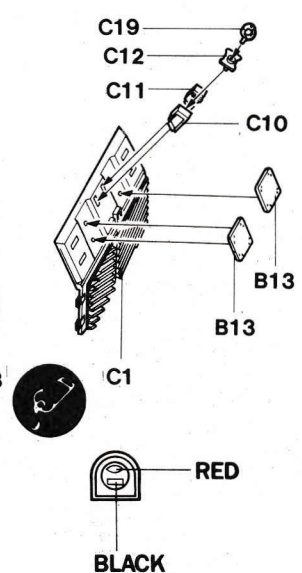
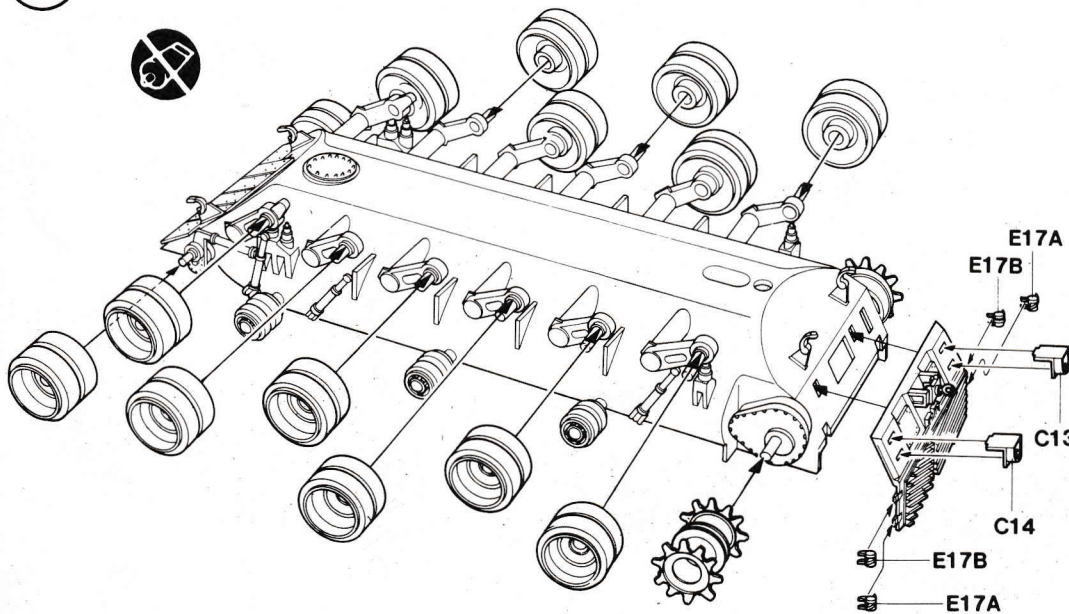


4 Hull Assembly C

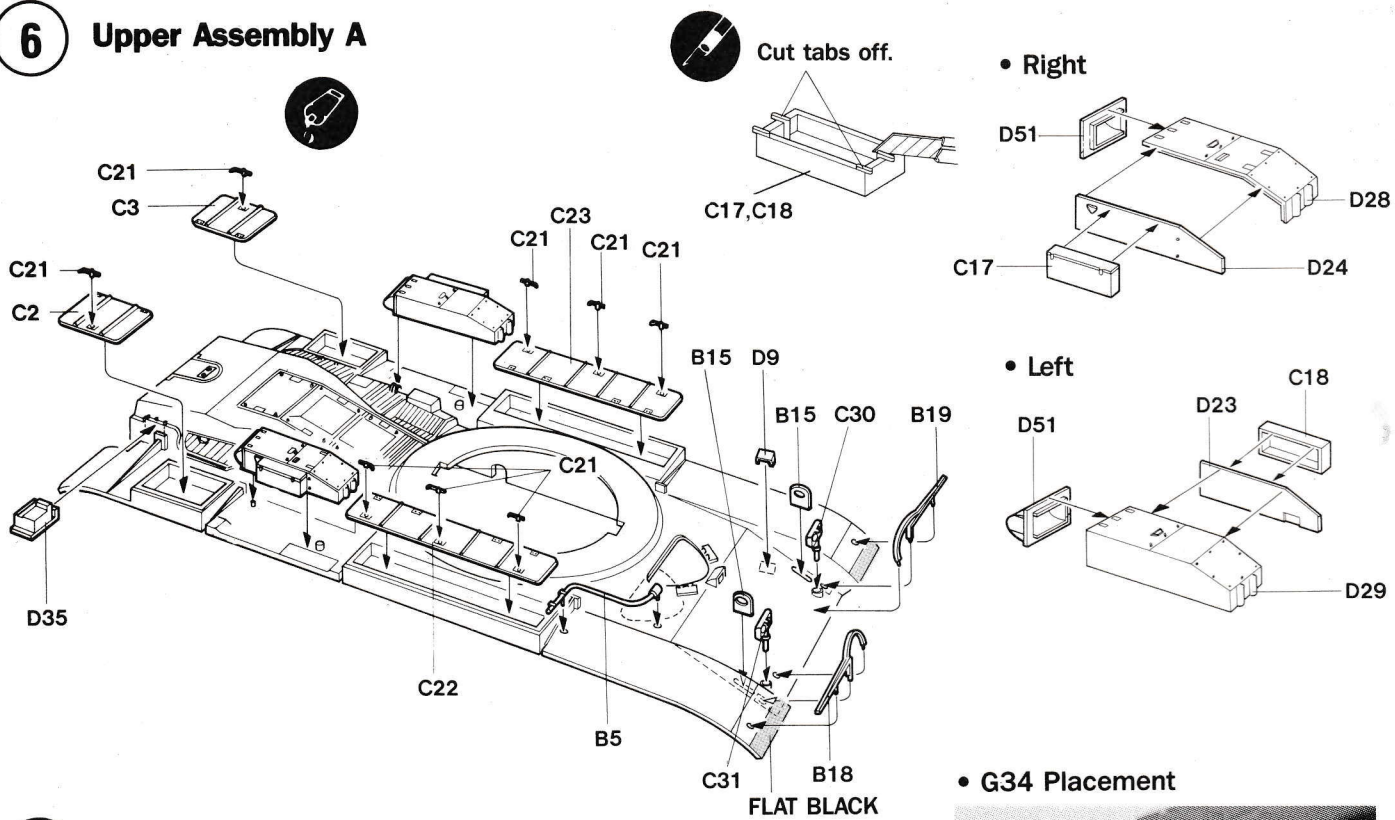


14

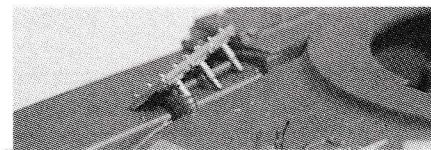
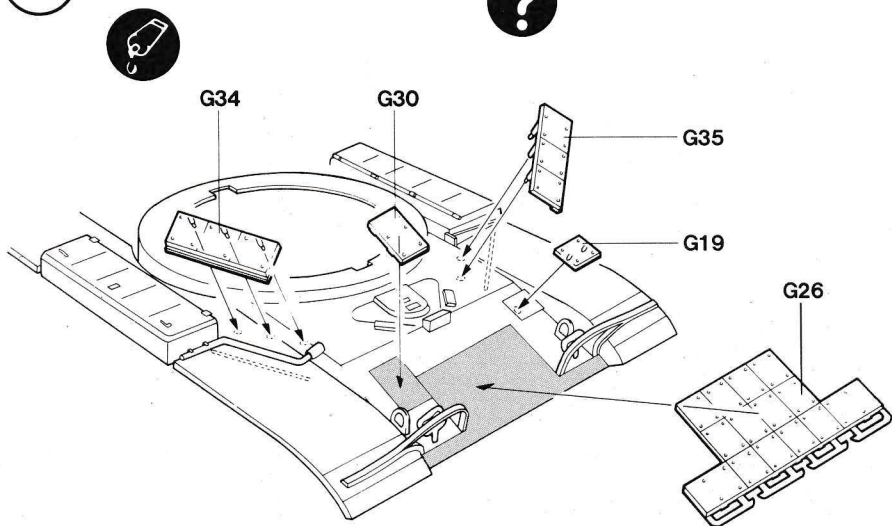
5 Hull Assembly D



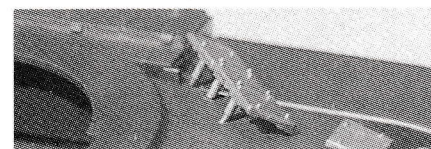
6 Upper Assembly A



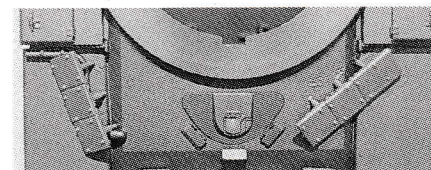
7 Passive Armor (Optional)



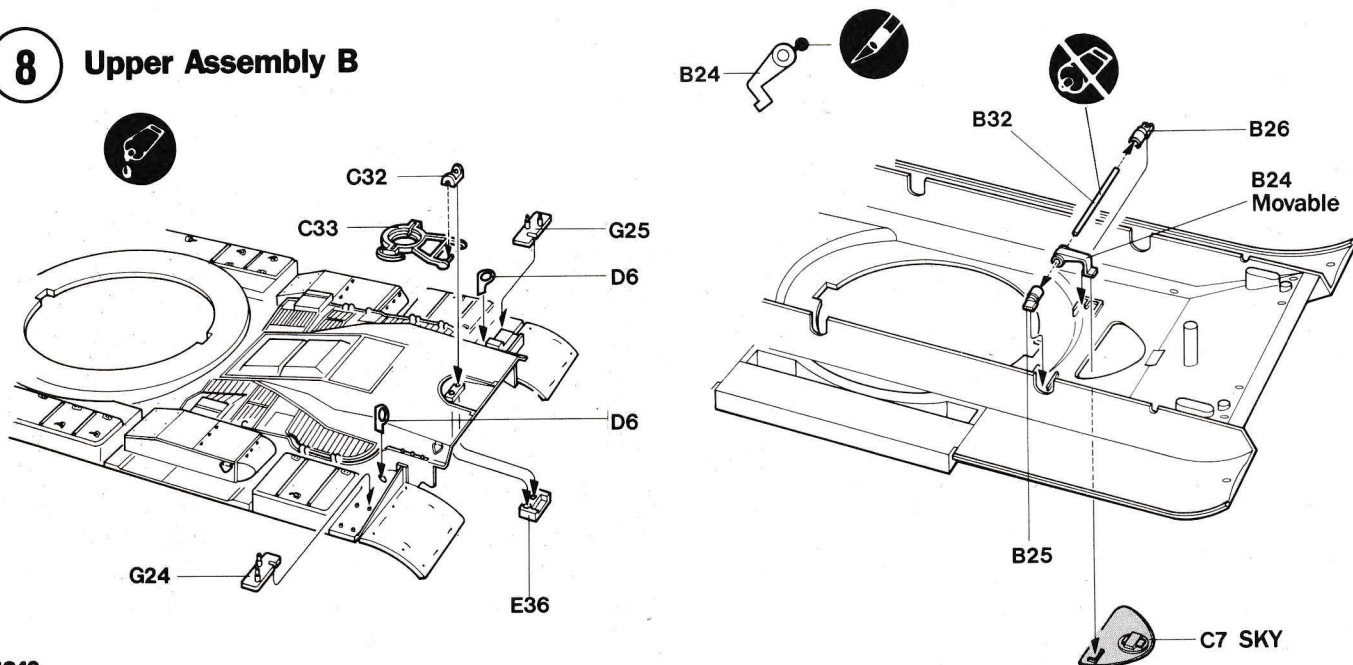
G35 Placement



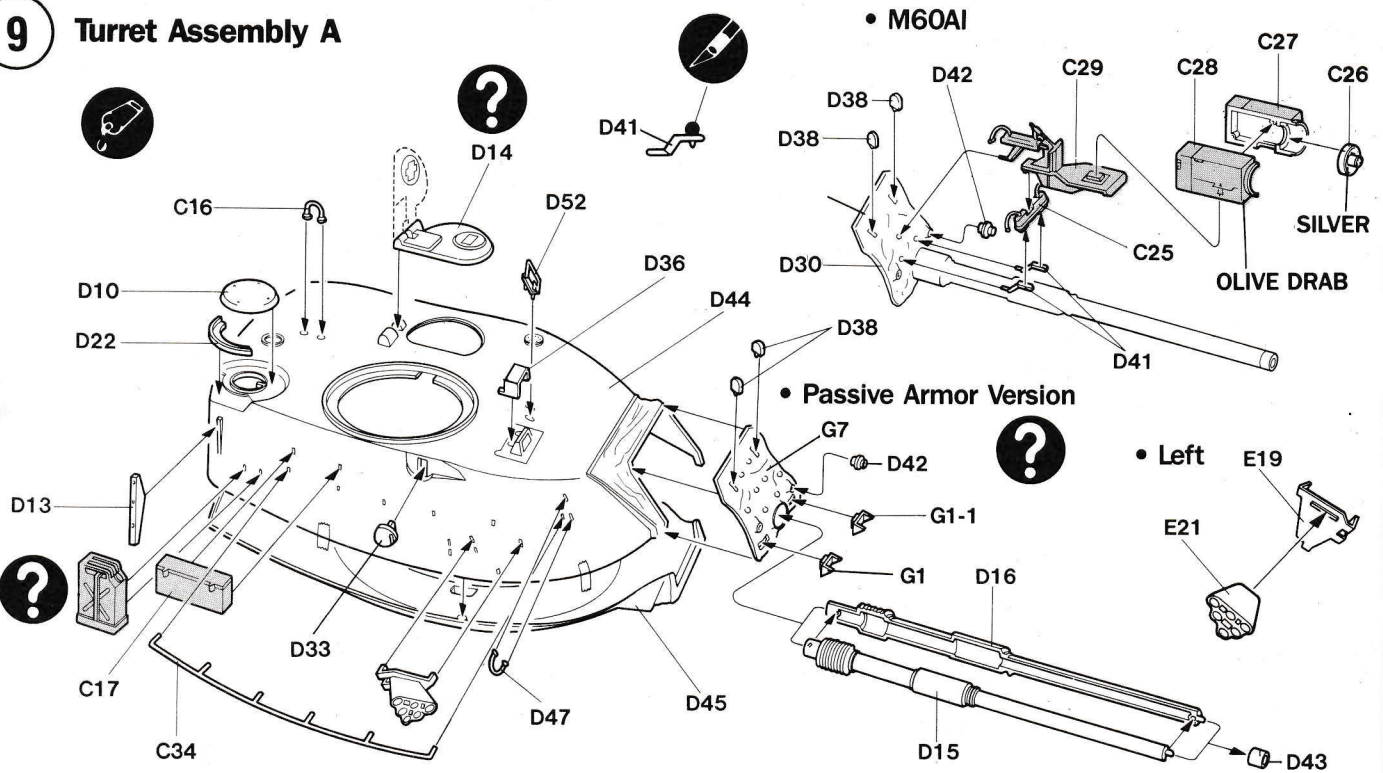
G34 and G35 Placement



8 Upper Assembly B

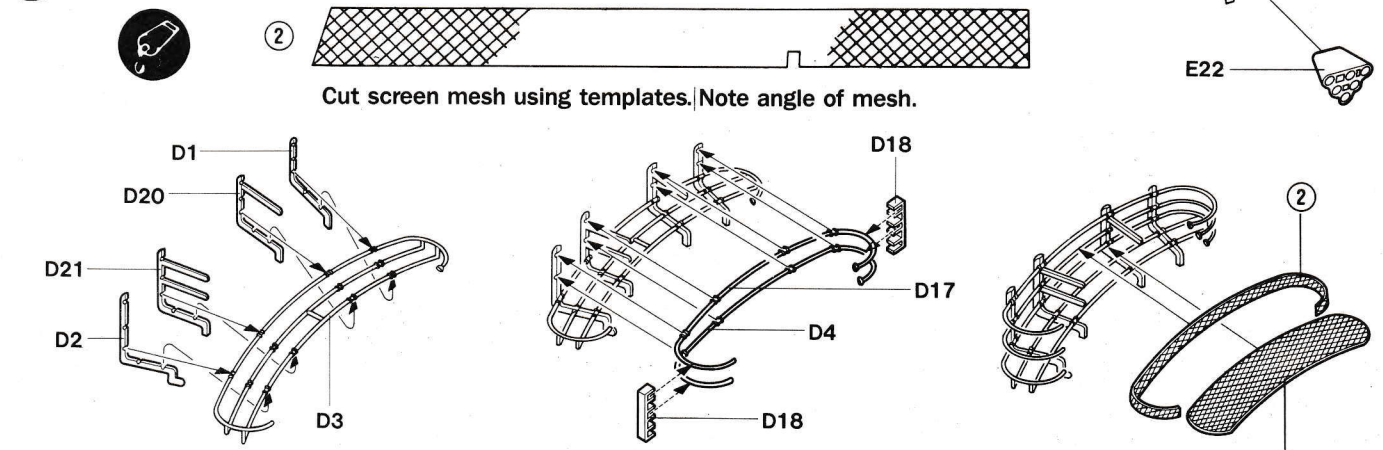


9 Turret Assembly A



Do not attach C17, C18, C34 (2) or Jerry Cans if building Rise Passive Armor Version.

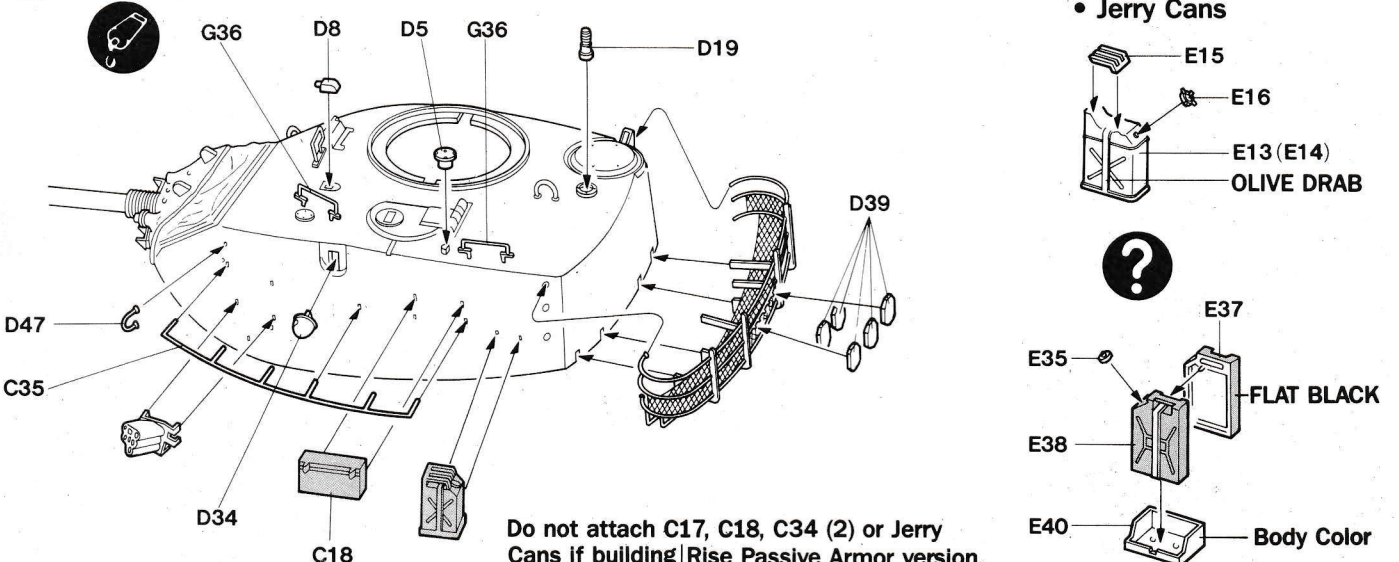
10 Storage Rack



Cut screen mesh using templates. Note angle of mesh.

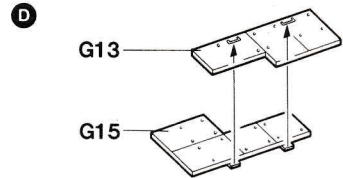
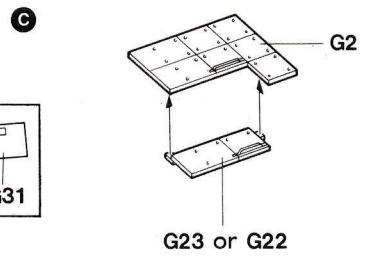
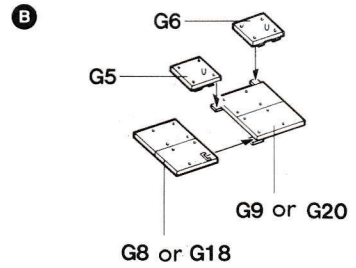
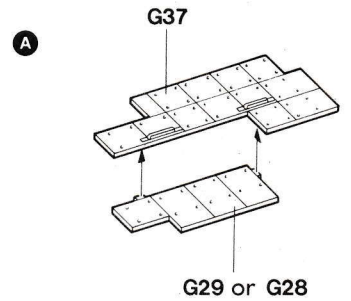
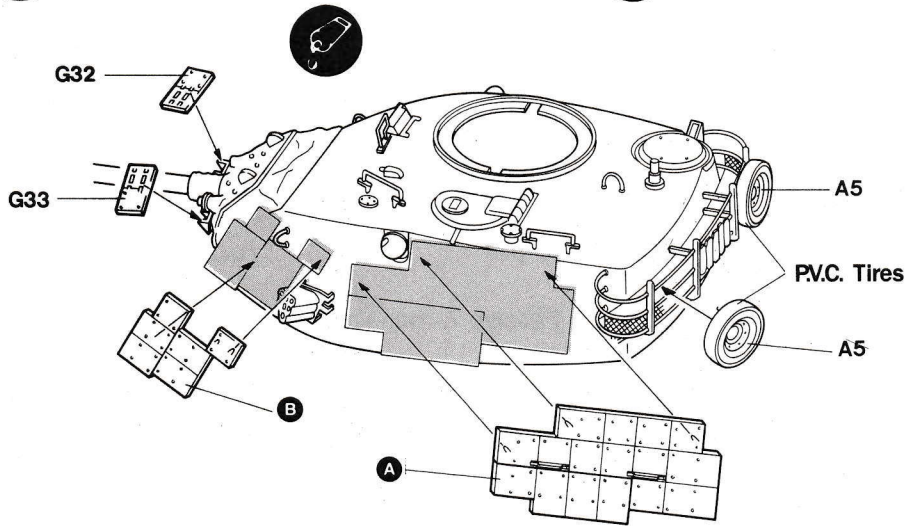
Do not cement D18. Use as spacing guide until storage rack cement is dry, then remove.

11 Turret Assembly B

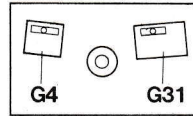
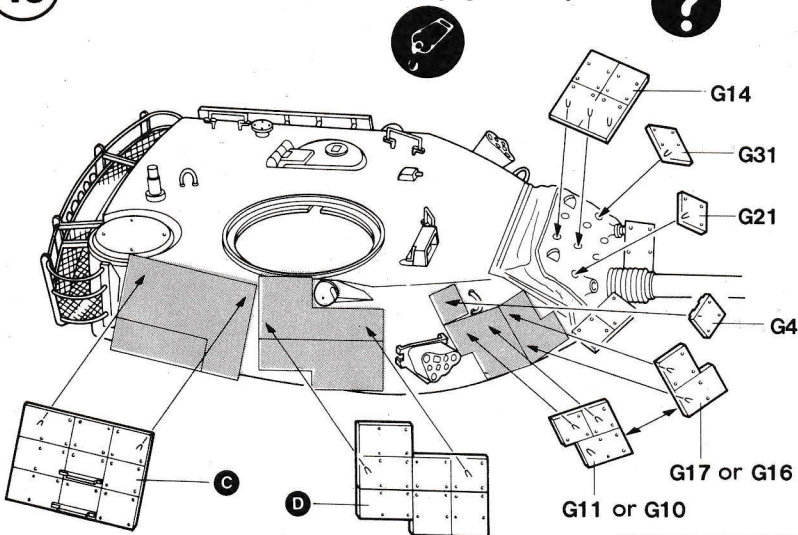


Do not attach C17, C18, C34 (2) or Jerry Cans if building Rise Passive Armor version.

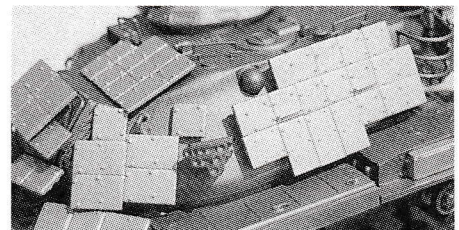
12 Turret Passive Armor A (Optional) ?



13 Turret Passive Armor B (Optional) ?

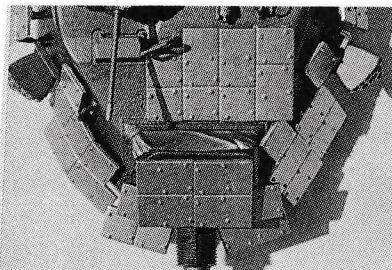


• Left Front

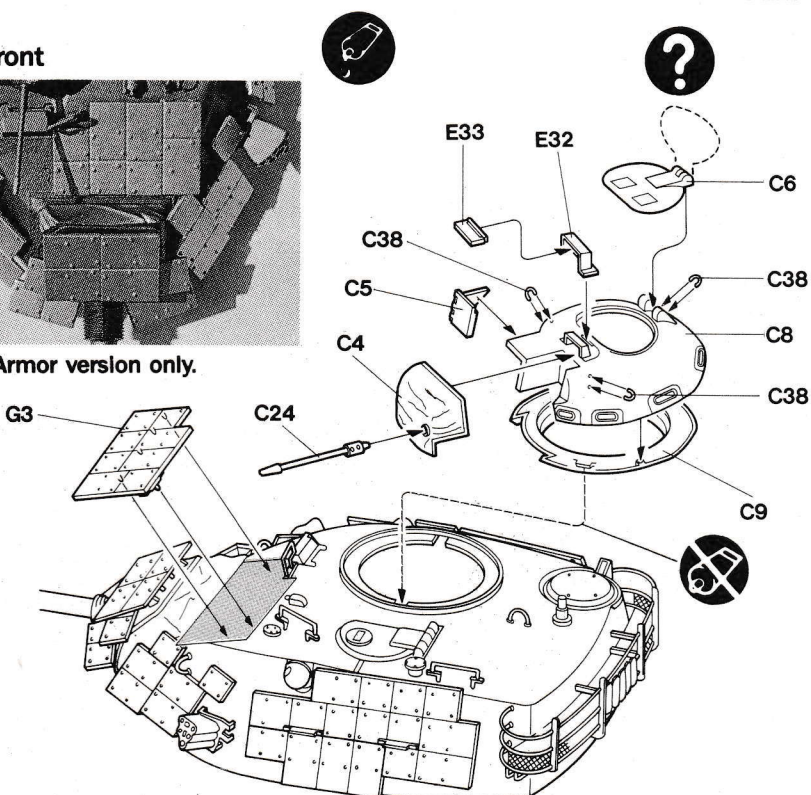


14 Turret Final Assembly

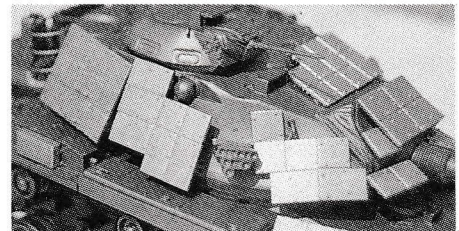
• Top Front



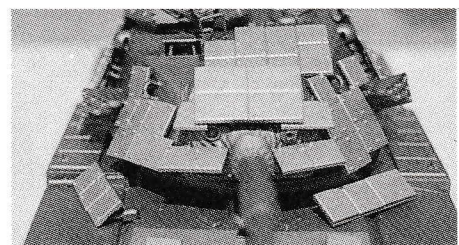
Passive Armor version only.



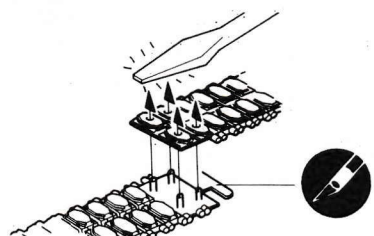
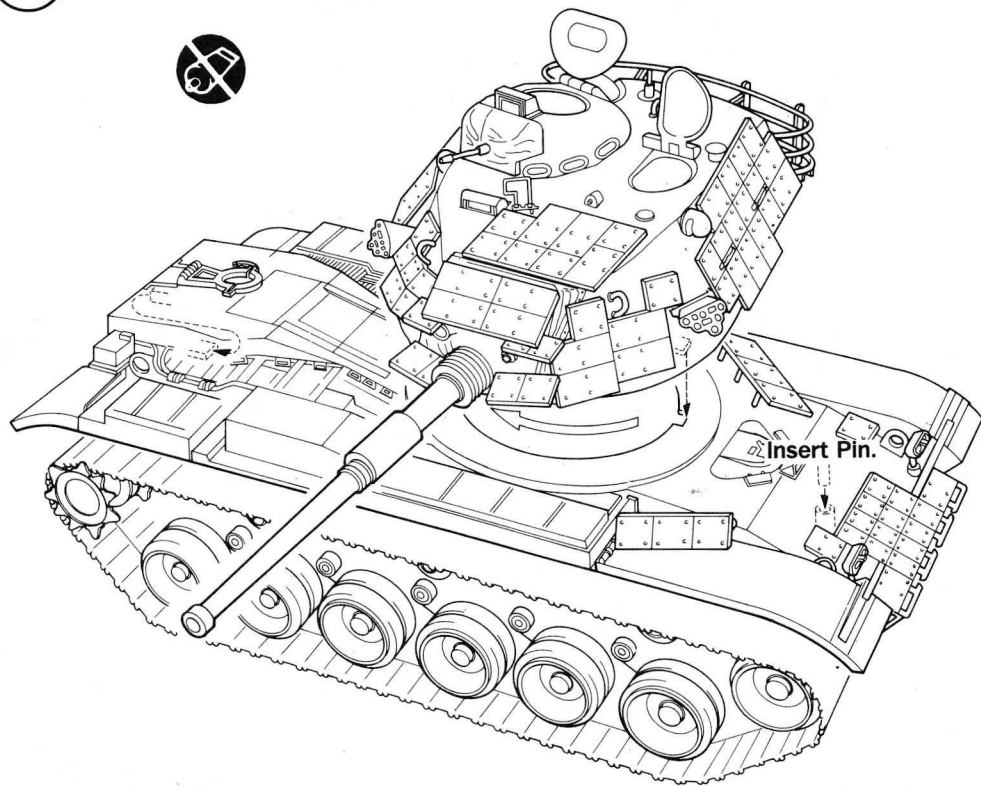
• Right Front



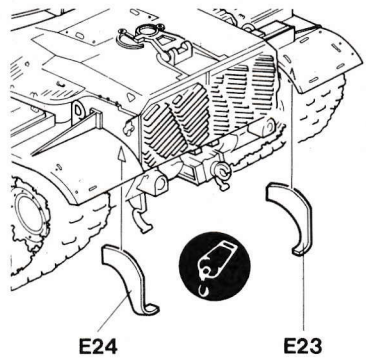
• Front



15 Final Assembly



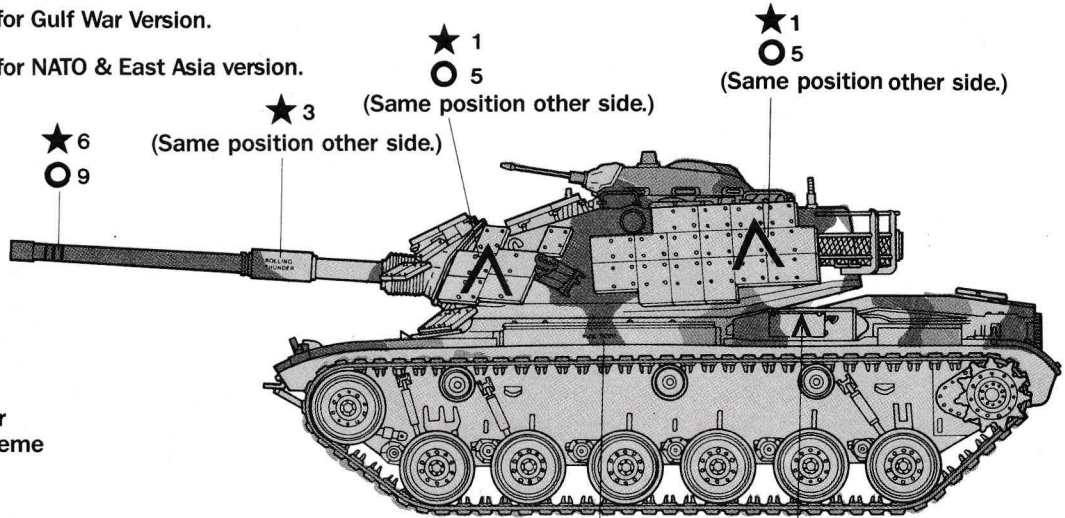
Melt Pin heads together with a heated screwdriver.






Painting and Decal Placement

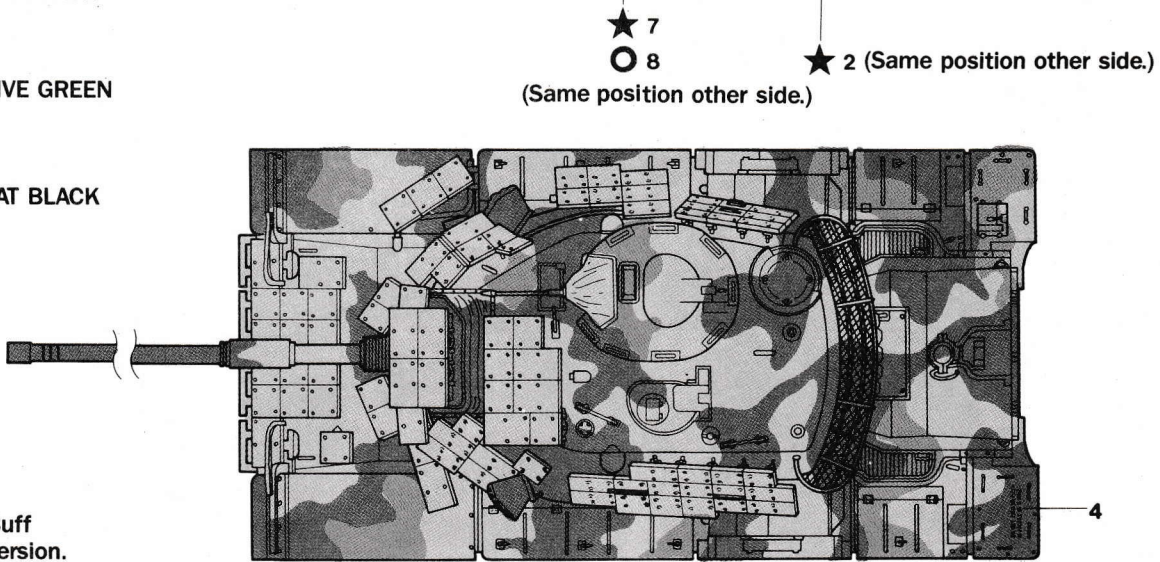
★ Denotes Decals for Gulf War Version.

○ Denotes Decals for NATO & East Asia version.

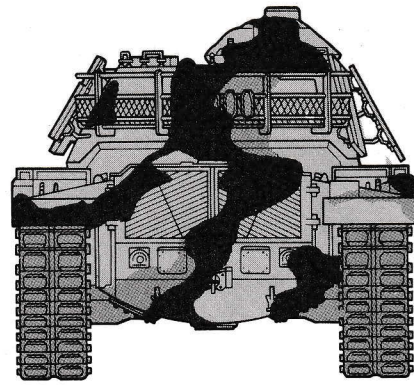
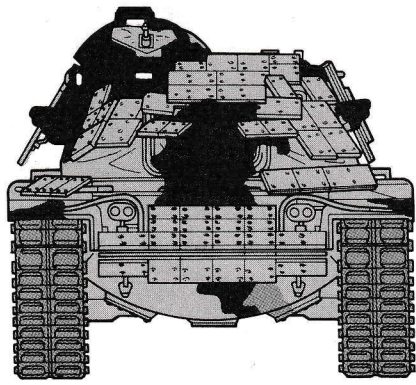


○ European 3 Color Camouflage Scheme

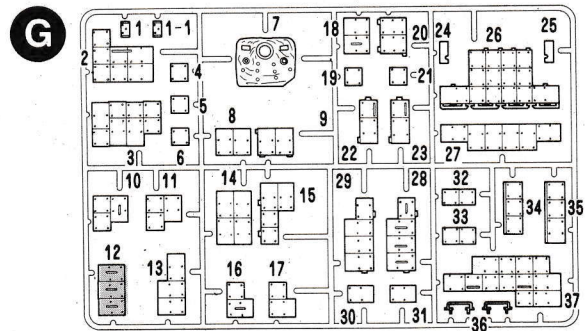
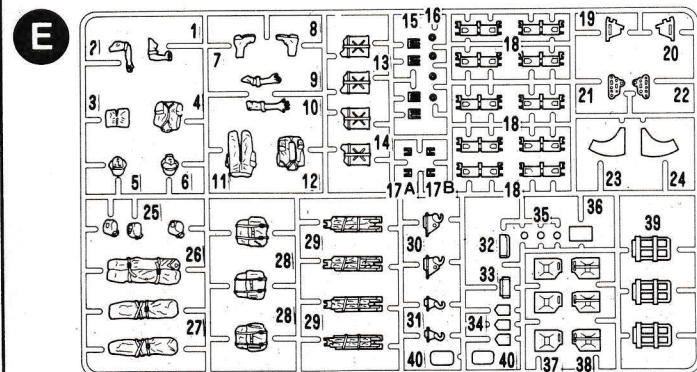
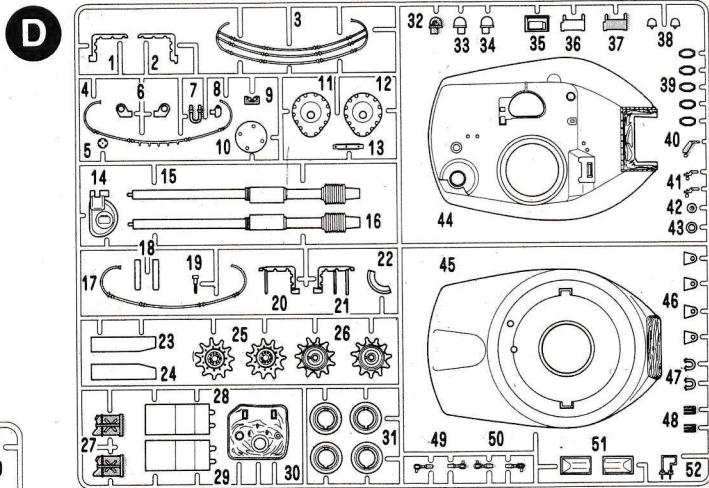
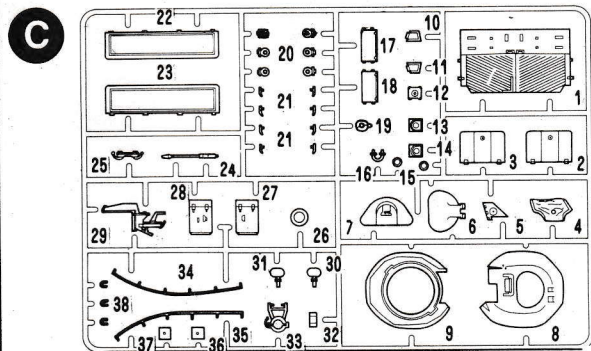
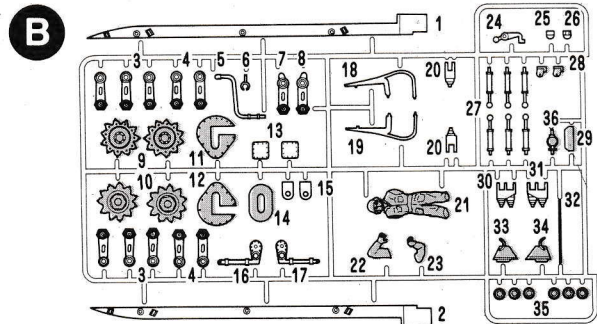
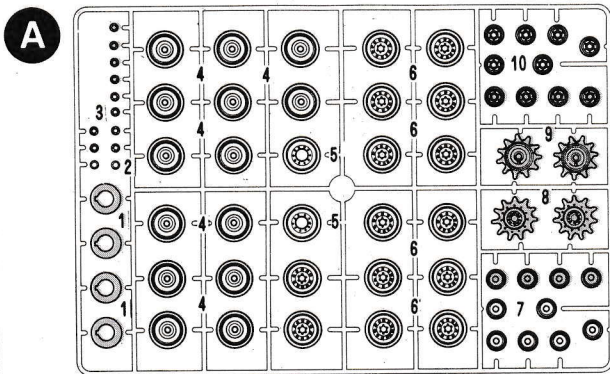
-  FLAT EARTH
-  OLIVE GREEN
-  FLAT BLACK



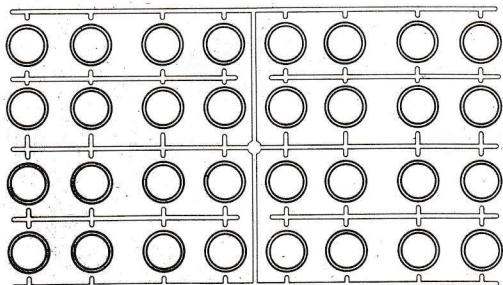
★ Paint overall Buff for Gulf War version.



Parts Locating Diagram



• PVC Tires



- Screen Mesh
- Tracks
- Poly Caps
- Rear Hull
- Upper Hull

• Unused parts:

A3, A7, A10 (Only 4pcs.), A1, A8, A9, B6, B9, B10, B14, B21, B22, B23, B28, B29, B33, B34, B35, B36, B11, B12, D7, D32, D37, D40, D49, D50, D27, D48, G12

1349

M60A1 RISE

WITH M9 DOZER BLADE

ACADEMY

HOBBY MODEL KITS

TA987

#1390



1/35TH SCALE

M60A1-M9
도저 블레이드 장착형

U.S. M9 DOZER BLADE

The value of a bulldozer for removing obstacles or debris became clear in World War 2. The advantage of having such a device mounted on a combat tank, which in the mean time retained its fire power, was even greater. In World War 2, dozer blades were mounted on the M4 Sherman which on many occasions came to the aid of standard convoys while under fire, capable of anticipating any hostile threat. After World War 2, dozer blade kits were mounted to the M46 and M47 tanks to further improve the system. When the M48 and M60 tank became available, a standardized newly bulldozer blade assembly was fitted and more test runs were accomplished until the late 1960's. The M9 dozer blade became the standard configuration of the U.S. Forces.

Der Wert eines Dozer Blades für die Abschaffung von Hindernissen oder Trümmern wurde klar im zweiten Weltkrieg. Der Vorteil dadurch, daß man eine solche Vorrichtung an einem Kampfpanzer montierte, der seine Feuerkraft behielt, war enorm. Im zweiten Weltkrieg wurden Dozer Blades am M4 Sherman montiert, der in meisten Fällen zur Hilfe beim Standardkonvoi kam, während er unter Beschuß eine gegnerische Drohung antizipieren konnte. Nach dem zweiten Weltkrieg wurden Dozer Blade-Ausrüstungen an den M4 und M47 Panzern montiert, um das System noch zu verbessern. Als der M48 und der M60 Panzer verfügbar wurden, wurde ein standardisierter und neuer Bulldozer Blade montiert und wurden mehr Proberennen unternommen bis zum Ende der 60er Jahren. Der M9 Dozer Blade wurde zur Standardkonfiguration der U.S. Forces.

La capacité, pour un bulldozer, de franchir des obstacles ou des débris est devenue une réalité durant la seconde guerre mondiale. L'avantage d'avoir un engin solide et très mobile, qui plus est bien armé, était énorme. Pendant la seconde guerre mondiale, des lames de bulldozers furent montées sur des Shermans M4, qui aidèrent à déblayer sous les tirs ennemis tout en opposant leur puissance de feu. Après la seconde guerre mondiale, des lames furent également montées sur des M46 et des M47 pour éprouver le système. Lorsque les M48 et les M60 furent disponibles, un nouveau tank bulldozer standard fut créé et des tests furent effectués jusqu'à la fin des années 60. Pour les forces armées Américaines, le standard des tanks bulldozers est devenu le M9.

파괴된 잔해나 장애물을 처리하는 임무를 수행하는 불도저의 효용성은 2차 대전 중 크게 부각되었다. 게다가 일정한 화력을 보유하고 있는 전투 전차에 이러한 장치를 부착했을 경우 그 효과는 더욱 커지기 마련이다. 2차 대전 중 도저 블레이드는 M-4 셔먼 전차에 장착되어 어떠한 적의 위협에도 대응할 수 있는 화력으로 많은 작전에서 선도 임무를 수행하였다. 2차 대전 후 도저 블레이드 장치는 더욱 향상된 시스템으로 M-46과 M-47 전차에 장착되었고, M-48과 M-60 전차가 등장한 시점에서는, 새로운 도저 블레이드 장비가 정식 채용되어 60년대 후반 까지 시험 가동이 이루어 졌다. 현재 M-9형 도저 블레이드는 미군의 표준 제식 장비로 현역에서 활약하고 있다.



접착한다.
Cement Parts
Coller
Kleben
Pegar
Incollare
Colar
Kleben



접착하지 않는다.
DO NOT cement
No gas coller
Nicht kleben
No pegar
Non incollare
Nao colar
Niet kleven



잘라낸다.
Cut away
Couper
schneiden
Cortar
Tagliare
Cortar
Snijden



선택한다.
Optional parts
Cnicik
Auswahlmöglichkeit
Election
Scelta
Opcao
Keuze



수만큼 조립한다.
Repeat operation
Répéter l'opération
Vorgang wiederholen
Repitir la operacion
Ripetere
Repitir a operação
herhalen

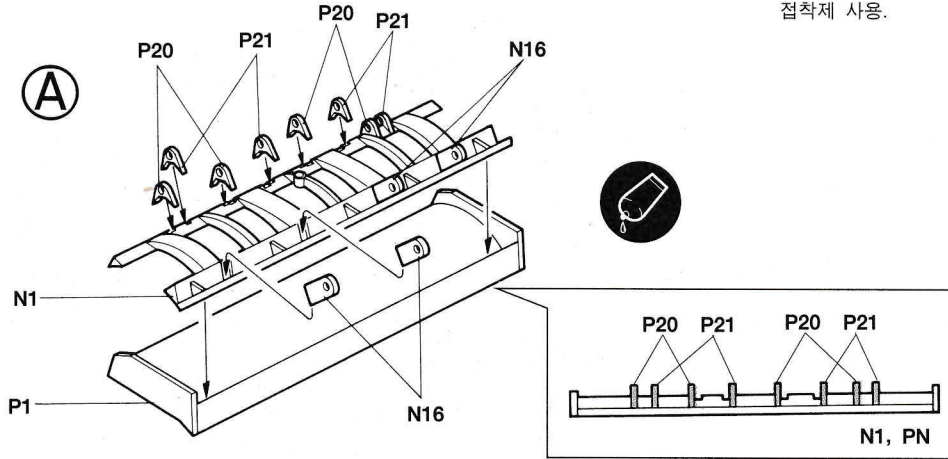
3

<Read this before you begin>

- Study the instructions before assembling.
- Check the fit of each piece before cementing into place.
- Do not use too much cement to join parts.
- Never use cement or paint near open flame.
- Open a window or make area well ventilated when cement or paint is in use.
- Tear up and throw away the empty plastic bags to avoid danger of suffocation for little children.

- 조립하기 전에
- 부품을 조립하기 전에 설명서를 잘 읽어본 후 조립한다.
- 부품을 자를 때에는 칼이나 니퍼로 깨끗이 잘라준다.
- 접착제를 사용할 곳과 사용하지 않는 곳에 주의하고 너무 많이 바르지 않도록 한다.
- 접착하기 전에 부품을 맞추어 확인한 후 조립한다.
- 에나멜 페인트나 접착제를 사용할 때는 창문을 열어 환기를 시키고 화기를 멀리한다.
- 사용 후 남은 부품은 어린 아이들의 손에 닿지 않도록 잘 처리한다.

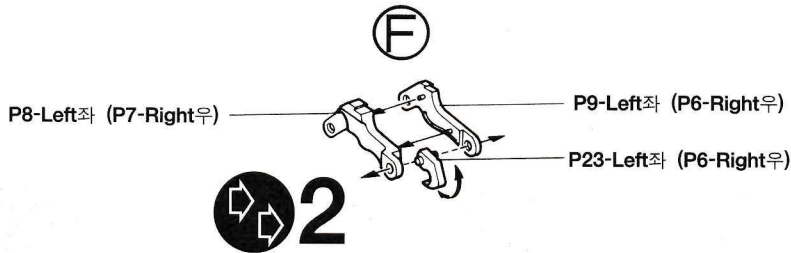
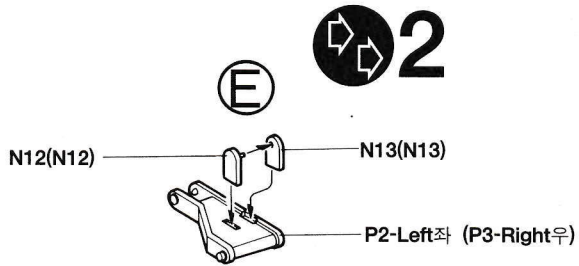
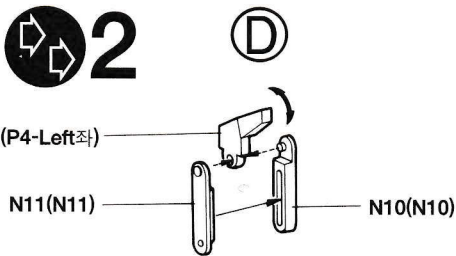
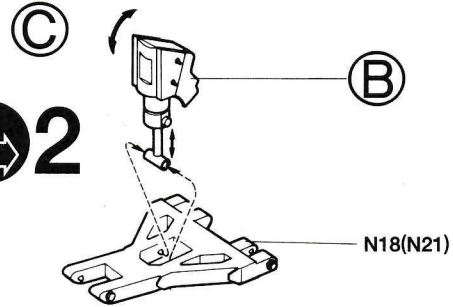
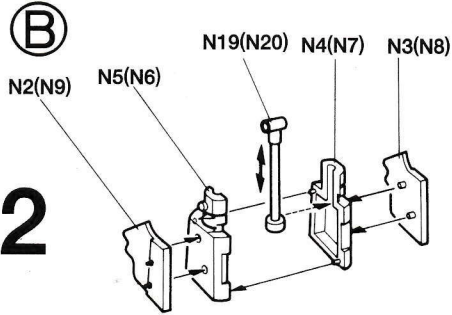
1



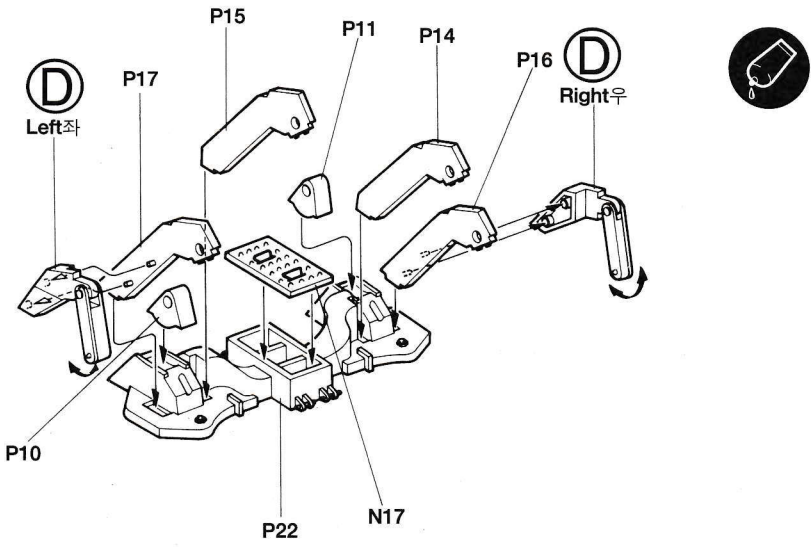
→ Cement Kleben Coller 접착제 사용.

--- Do not cement Nicht kleben Ne pas coller 접착제 사용금지.

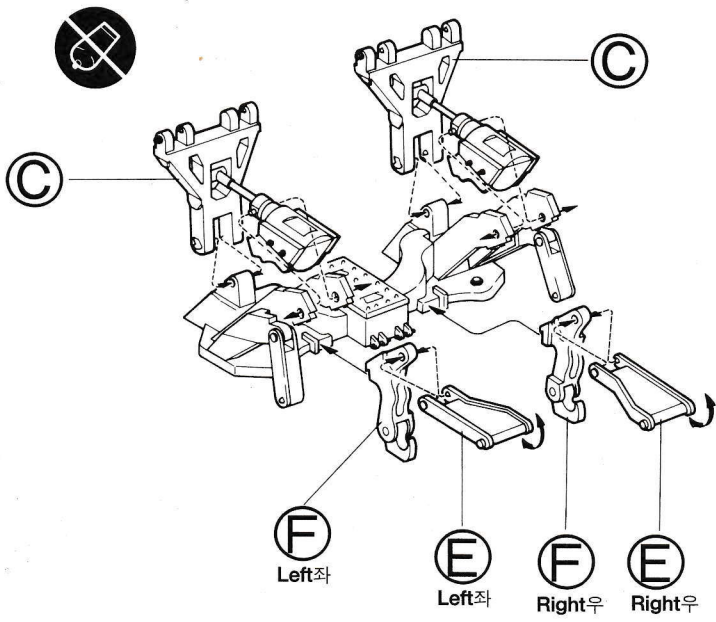
2



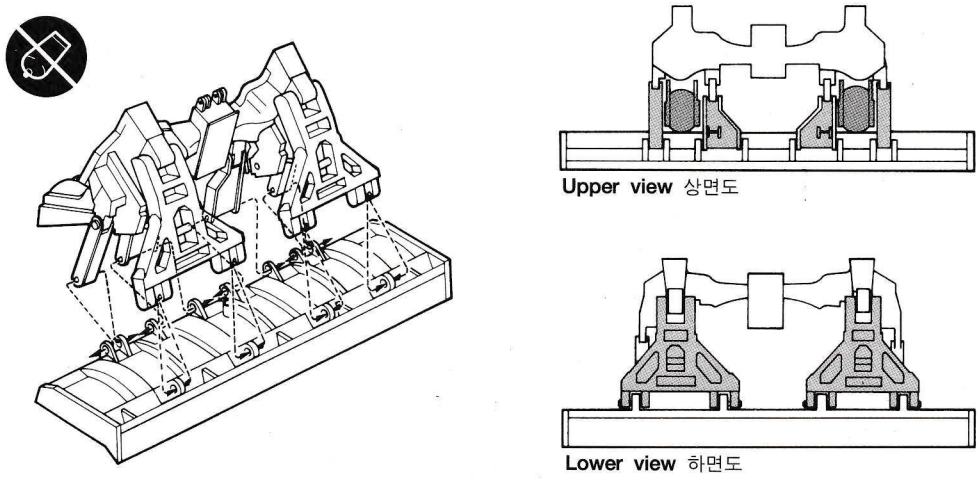
3



4

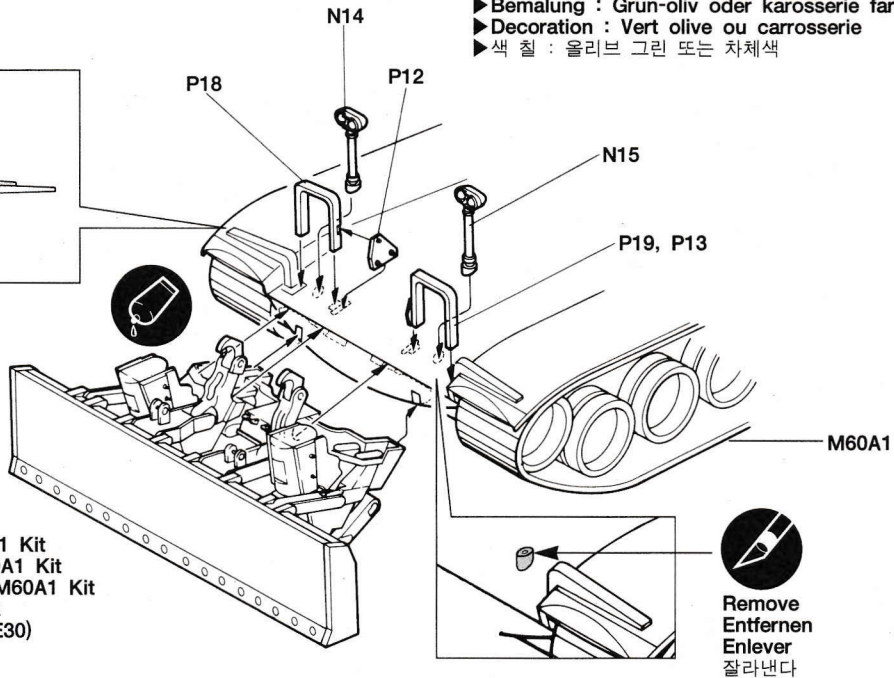
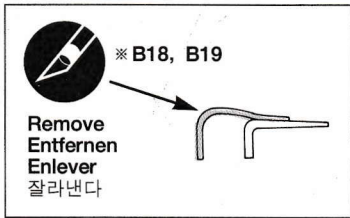


5



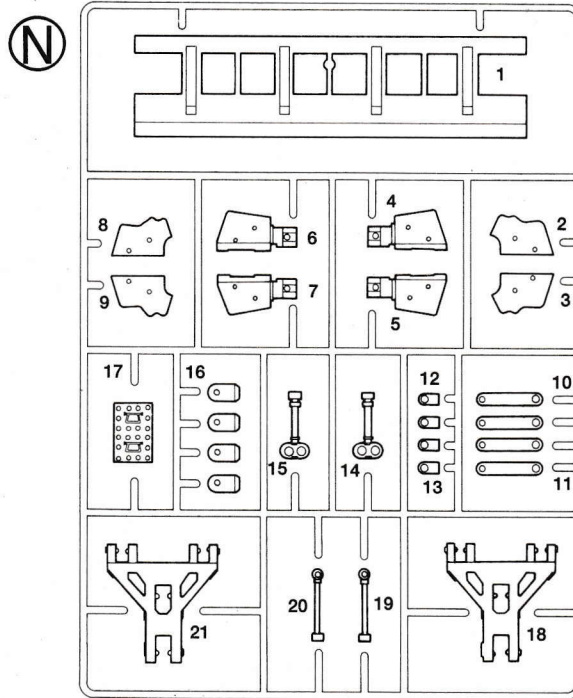
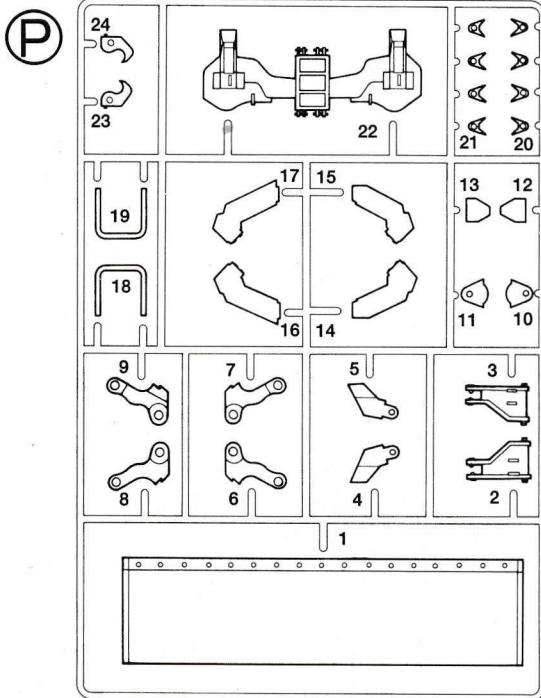
6

- ▶ Painting : Olive green or body color
- ▶ Bemalung : Grün-oliv oder karosserie farbe
- ▶ Decoration : Vert olive ou carrosserie
- ▶ 색 칠 : 올리브 그린 또는 차체색



Parts not used - M60A1 Kit
 Nicht verwenden - M60A1 Kit
 Pièces non utilisées - M60A1 Kit
 불필요 부품 - M60A1 키트
 (G26, G27, C30, C31, E30)

Parts Locating Diagram 부품도



■ 직매점 겸 A/S센터 삼선교:742-9293, 대치동:552-9293, 양재동:575-9997, 용산:706-9293
 ■ A/S센터 본사:908-7000(교원147), 동대문:745-9293, 천호동:473-9293
 ■ 총판점 겸 A/S센터 노원아카데미:907-0940, 양천아카데미:691-7108, 강남아카데미:522-1577, 안양아카데미:(0343)58-5591,
 부산아카데미:(051)293-7449, 대구아카데미:(053)744-9293
 ☎고객상담문의 : 080-969-7000



ACADEMY PLASTIC MODEL CO., LTD.
 273-64, Suyu-dong, Kangbuk-gu, Seoul, Korea
 TEL:82-2-908-7000 FAX:82-2-997-3003

※ CORRECTION
 KORREKTION
 CORRECCION
 일부 번호를 정정합니다.

