



LIMITED EDITION

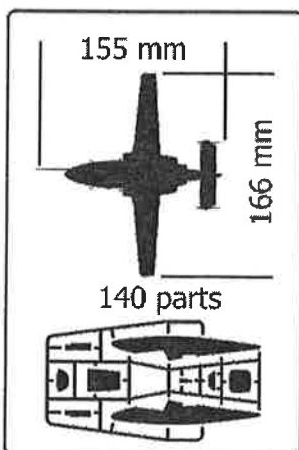
SOVA-M
SVM-72046

Fairchild
T-46A

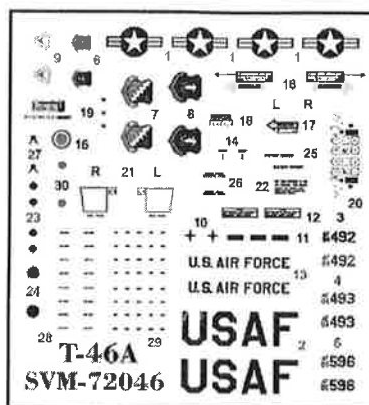


UNASSEMBLED PLASTIC MODEL KITS

SCALE:1/72



DECALS



THREE VERSIONS OF COLOURING

The Fairchild Republic T-46 trainer aircraft had won the US Air Force's "Next generation Trainer" ("NGT") tender, with the assumption to replace the outdated Cessna T-37.

T-46's maiden flight took place in October 1985. The aircraft was a low-wing all-metal monoplane with a retractable tricycle landing gear and a twin tail. The crew of two was accommodated in a side-by-side pressurized cockpit, equipped with McDonnell Douglas ACES II ejection seats. The power plant included two economical turbojet engines Microturbo TRS 18-046 with a thrust of 0.98 kN.

The model is executed on technology short run and is intended only for experienced modelers.

Word-wide distributor for Sova-M kits:
ModelSvit Balkans Ltd. 4003 Plovdiv,
Bulgaria 9, zk Maritza Gardens.
Tel. +359 32 397 069,
E-Mail: modelsvitbalkans@gmail.com
MADE IN UKRAINE

PAINTS

- | | |
|-------------------------------------|-------------------------------------|
| A HUMBROL 22
WHITE | B HUMBROL 33
BLACK |
| C HUMBROL 145
MEDIUM GREY | D HUMBROL 27004
GUN METAL |
| E HUMBROL 182
RUBBER | |

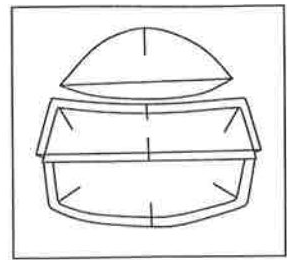
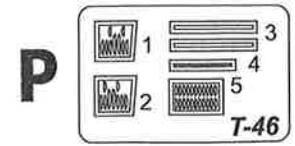
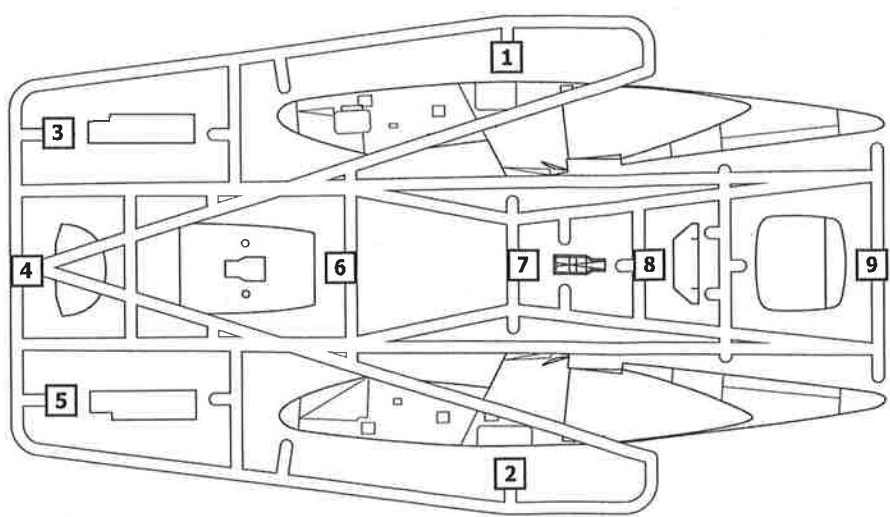
SYMBOLS

- | | | |
|----------------------------------|----------------------|---------------|
| 1 STAGES OF ASSEMBLY | TO PAINT | TO BEND |
| 1 NUMBER PARTS | GLUE | SCRATCH BUILT |
| APPLY DECALS | DON'T GLUE | OPEN HOLE |
| x2 QUANTITY OF OPERATIONS | НА ВИБІР
OPTIONAL | CUT OUT |

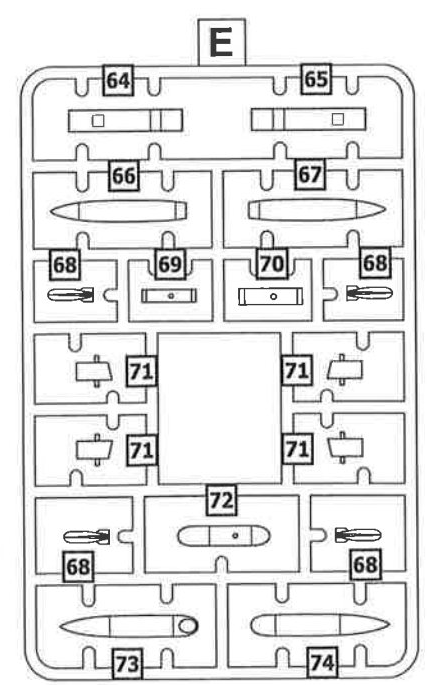
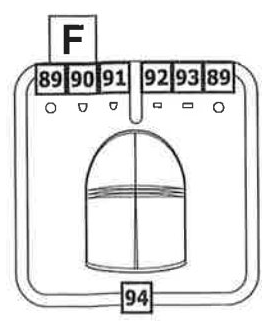
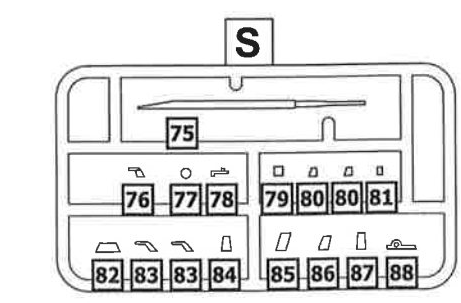
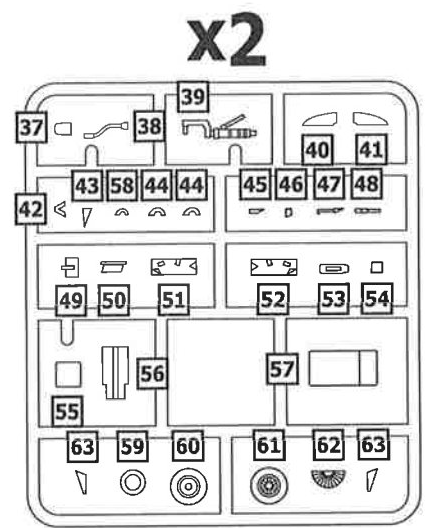
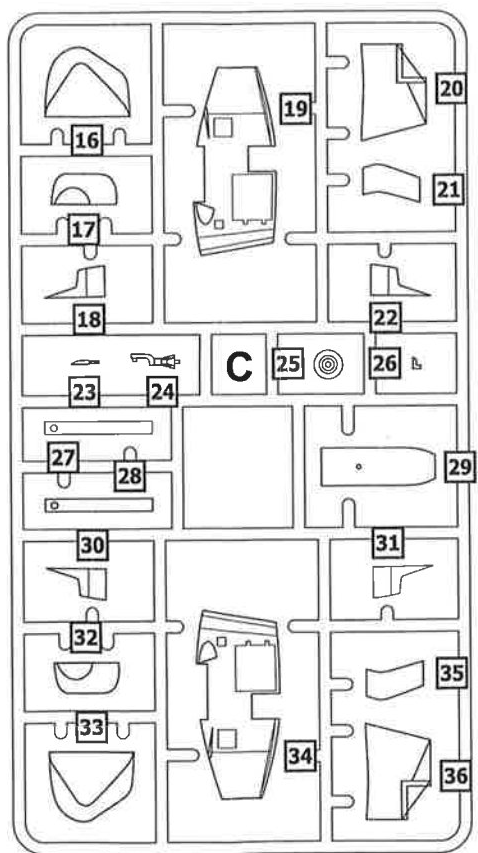
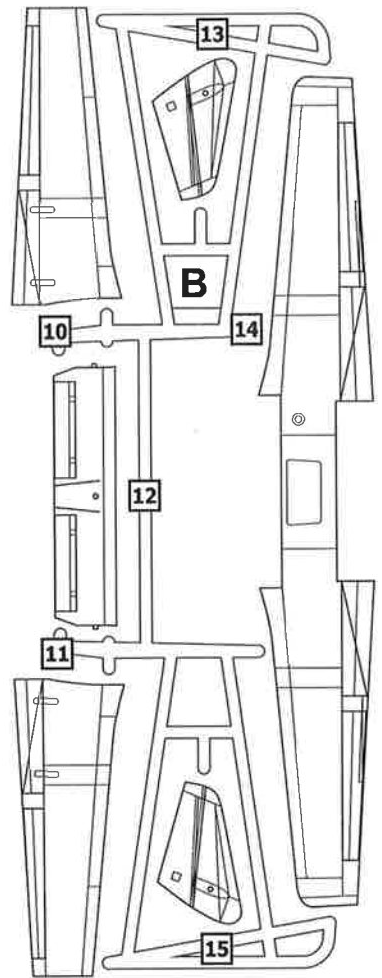
SET OF THE PARTS



 PARTS NOT FOR USE



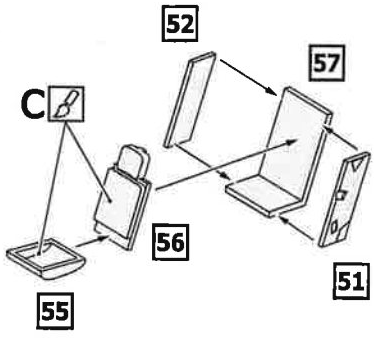
MASKS FOR PAINTING



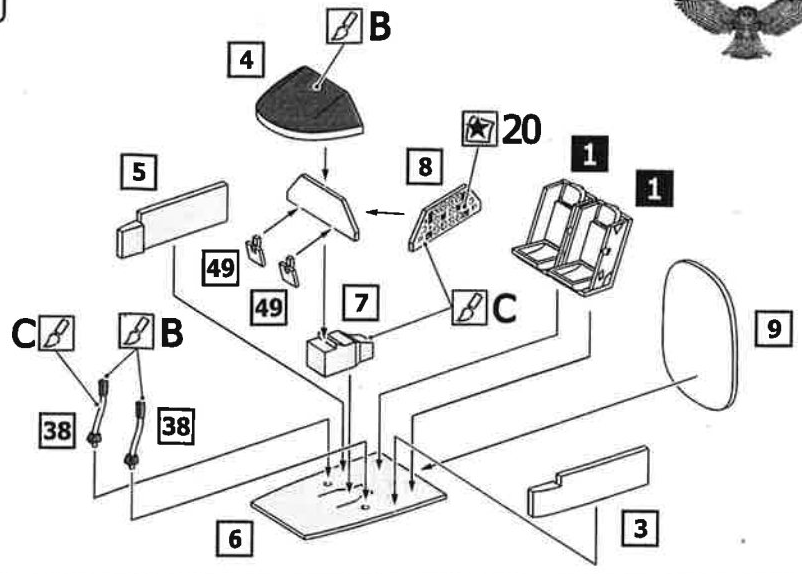
ASSEMBLY INSTRUCTION



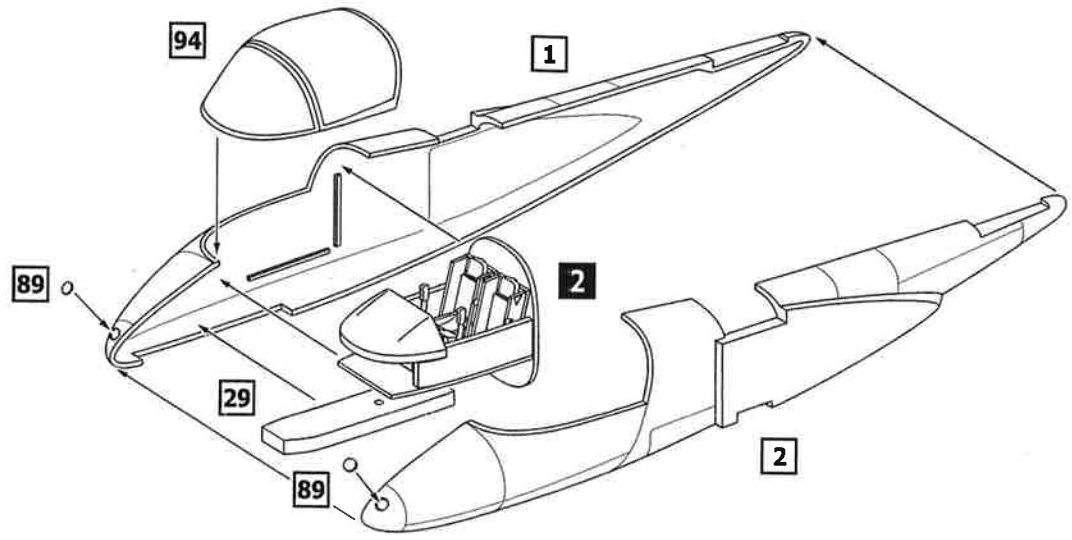
- 1** x2
- 51** x2
- 52** x2
- 55** x2
- 56** x2
- 57** x2



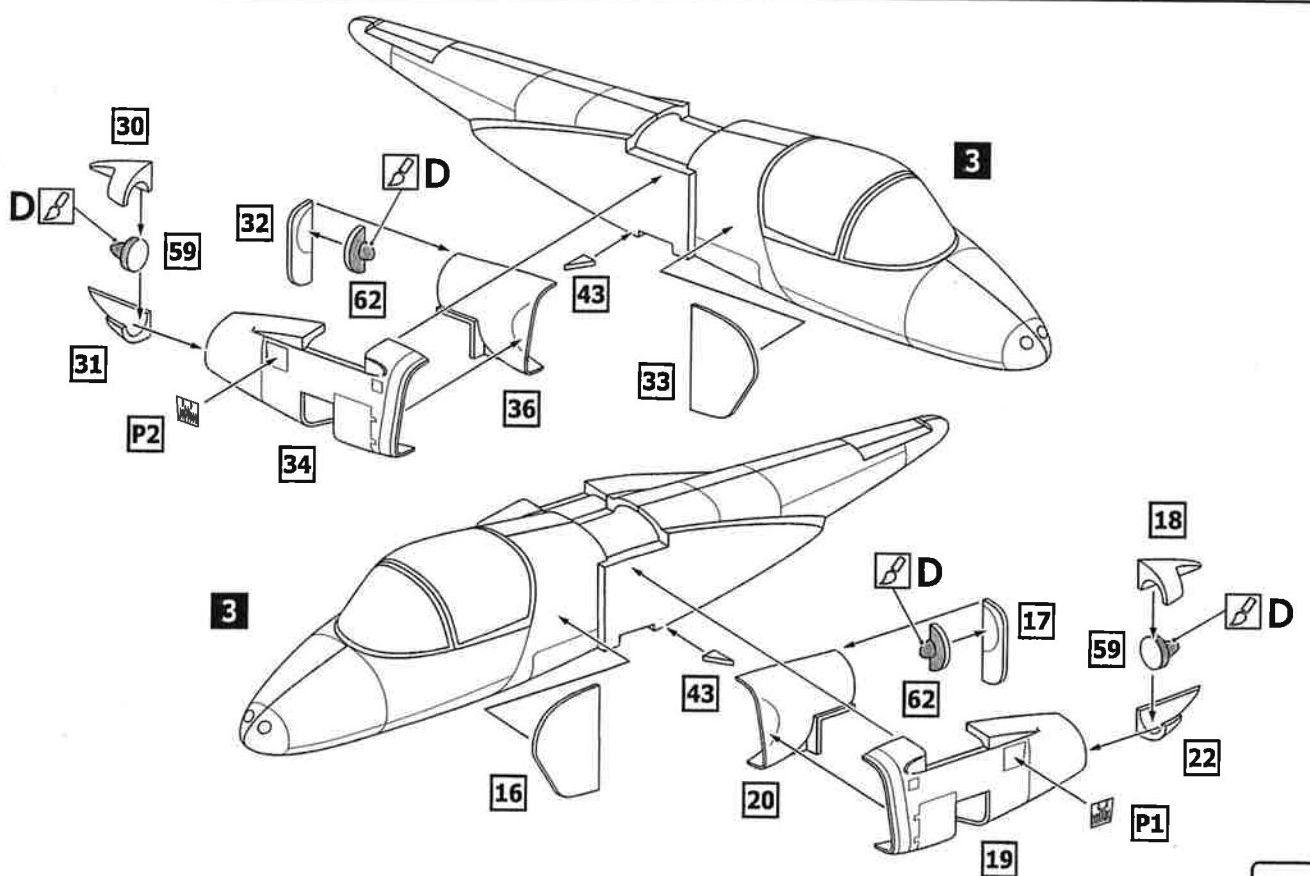
- 2**
- 1** x2
- 3**
- 4**
- 5**
- 6**
- 7**
- 8**
- 9**
- 38** x2
- 49** x2



- 3**
- 2**
- 1**
- 2**
- 29**
- 89** x2
- 94**



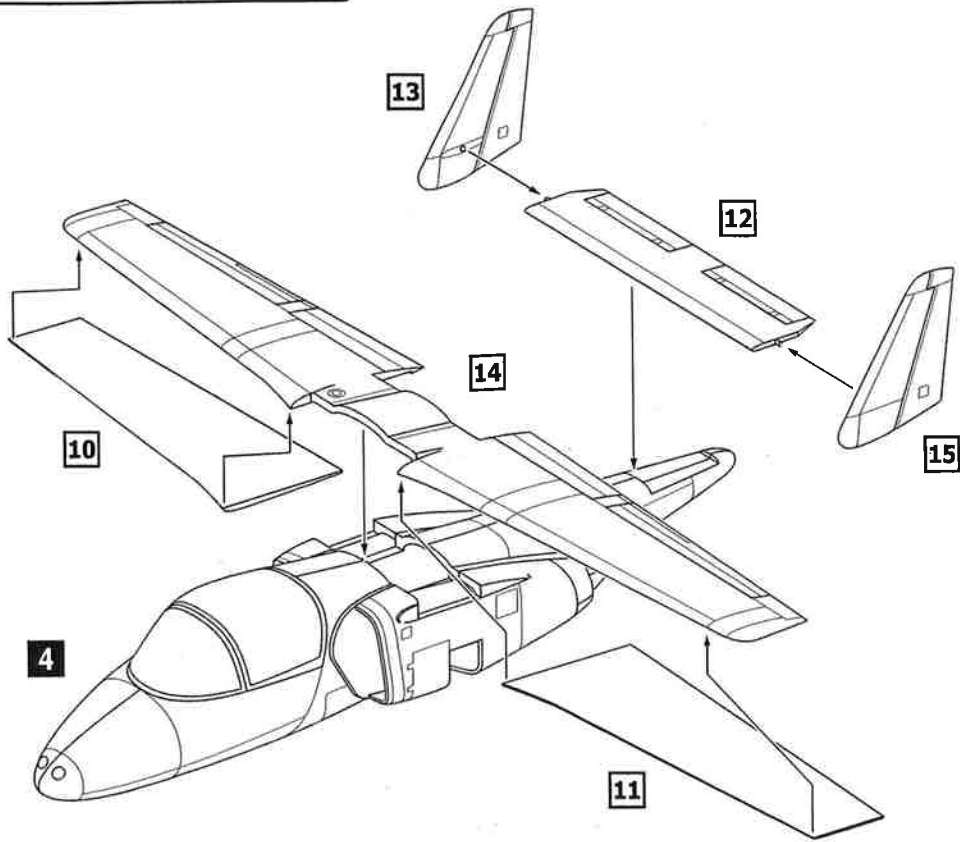
- 4**
- 3**
- 16**
- 17**
- 18**
- 19**
- 20**
- 22**
- 30**
- 31**
- 31**
- 32**
- 33**
- 34**
- 36**
- 43** x2
- 59** x2
- 62** x2
- P1**
- P2**



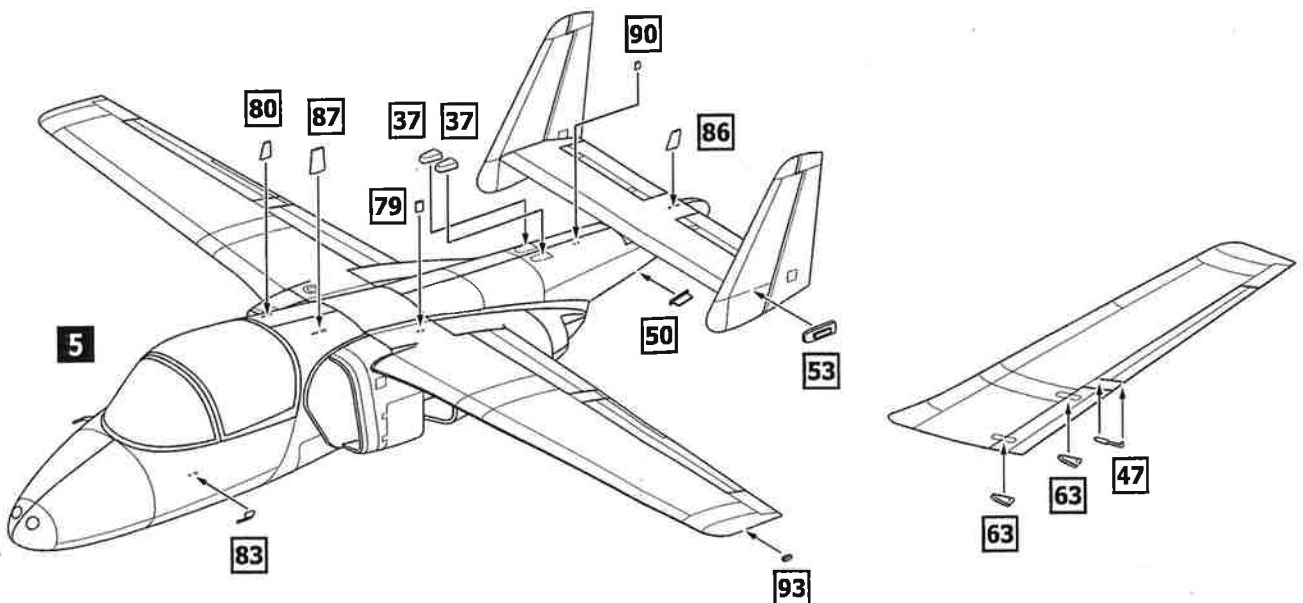
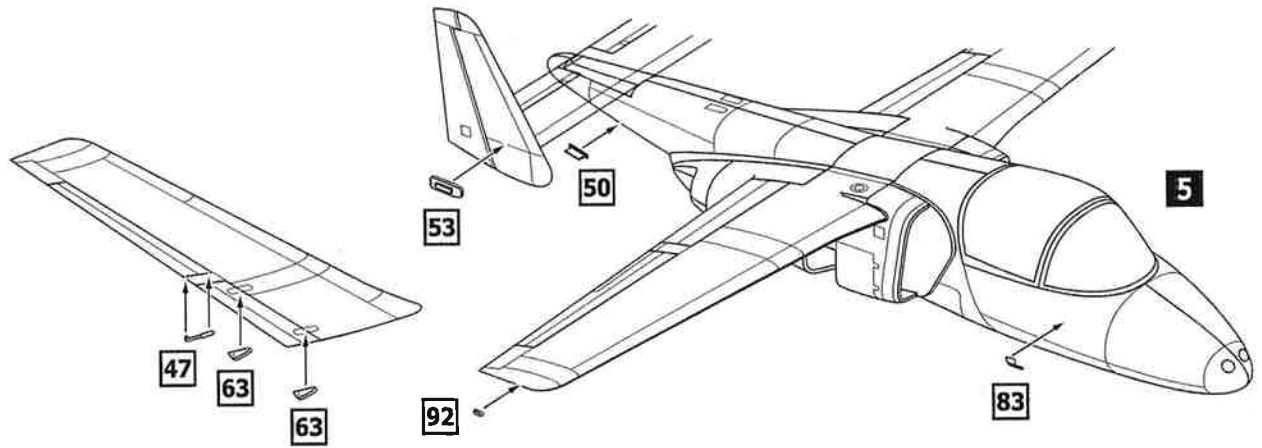
ASSEMBLY INSTRUCTION



- 5**
- 4**
- 10**
- 11**
- 12**
- 13**
- 14**
- 15**



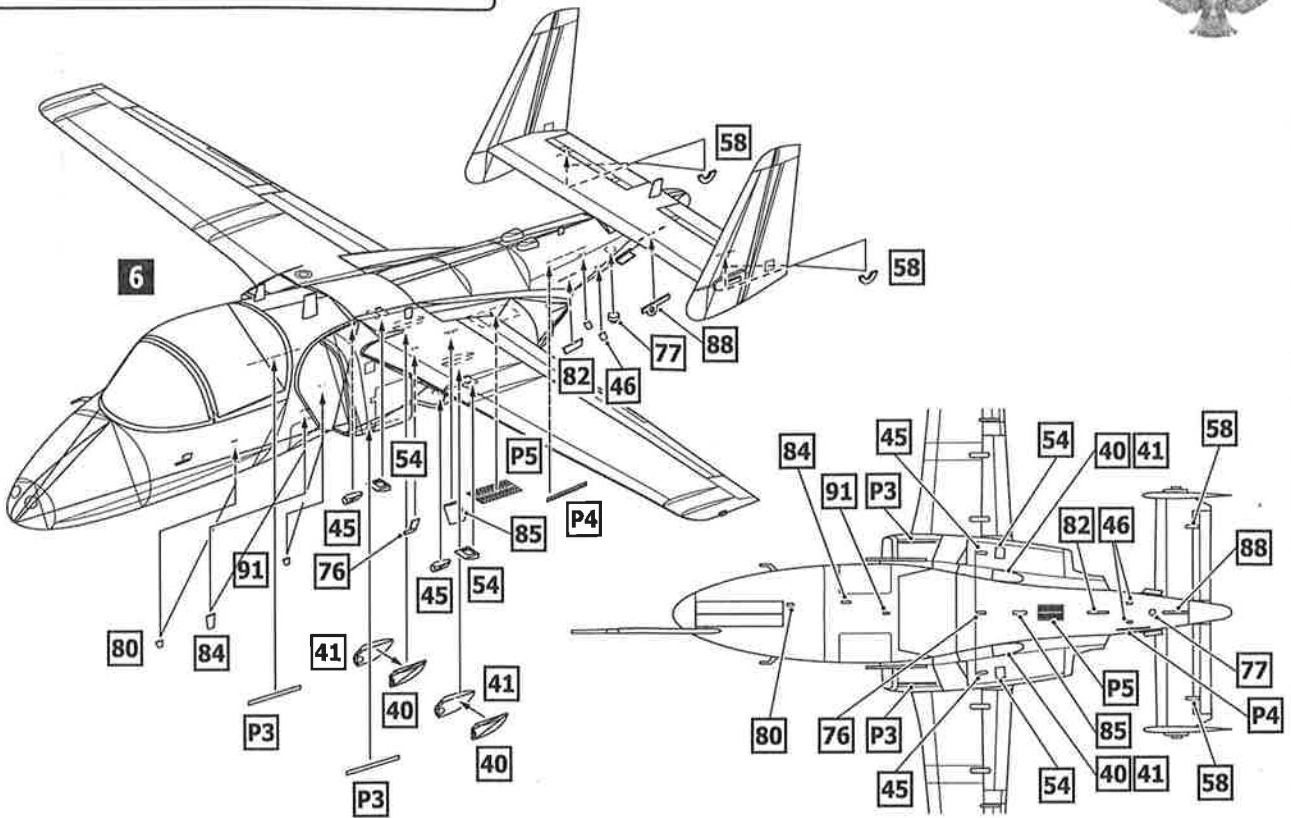
- 6**
- 5**
- 37** x2
- 47** x2
- 50** x2
- 53** x2
- 63** x4
- 79**
- 80**
- 83** x2
- 86**
- 87**
- 90**
- 92**
- 93**



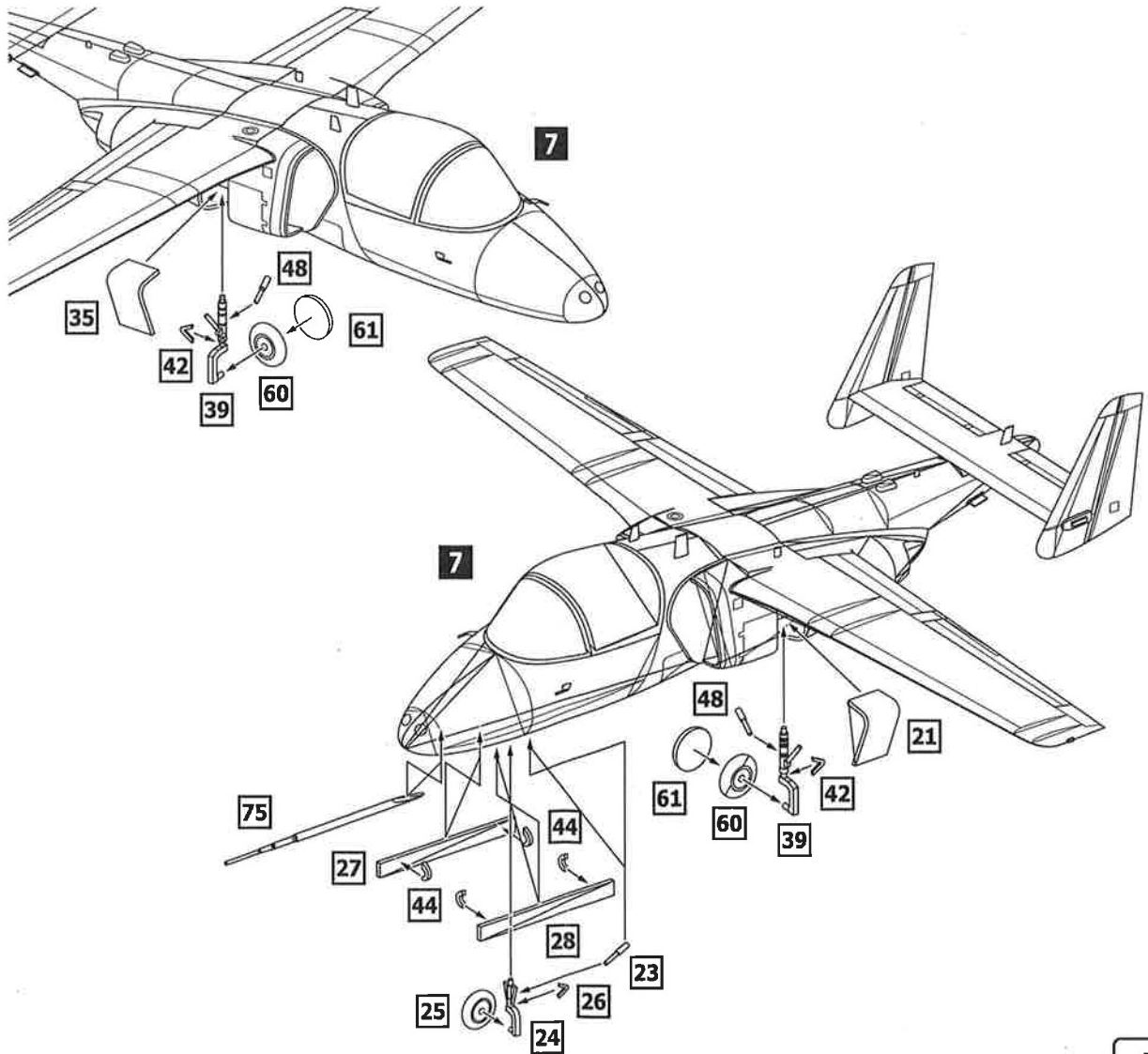
ASSEMBLY INSTRUCTION



- 7**
- 6**
- 40** x2
- 41** x2
- 45** x2
- 46** x2
- 54** x2
- 58** x2
- 76**
- 77**
- 80**
- 82**
- 84**
- 85**
- 88**
- 91**
- P3** x2
- P4**
- P5**



- 8**
- 7**
- 21**
- 23**
- 24**
- 25**
- 26**
- 27**
- 28**
- 35**
- 39** x2
- 42** x2
- 44** x4
- 48** x2
- 60** x2
- 61** x2
- 75**

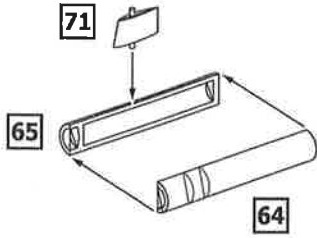


ASSEMBLY INSTRUCTION



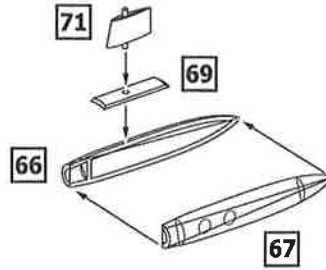
9

- 64
- 65
- 71



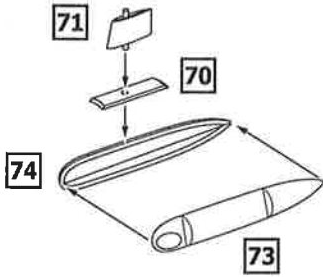
10

- 66
- 67
- 69
- 71



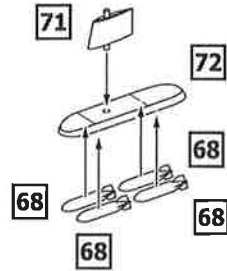
11

- 70
- 71
- 73
- 74



12

- 68 x4
- 71
- 72



13

- 8
- 9
- 10
- 11
- 13
- 78
- 81

