

STEP 13

STEP 14

STEP 15

Zavřeno Close CP1

Otevřeno Open ?

Zavřeno Close ? CP2

Otevřeno Open CP2

cam. ver. ④ ⑤

92142

Popisky / Stencils

P-39 Q Airacobra
Americký stíhací letoun / American WW II fighter

92142

P-39 Q Airacobra

Americký stíhací letoun / American WW II fighter

The Bell P-39 Airacobra was one of the principal American fighter aircraft in service when the United States entered World War II. The P-39 was used with great success by the Soviet Air Force, which scored the highest number of kills per pilot attributed to any U.S. fighter type. Other major users of the type include the Free French, the Royal Air Force, the United States Army Air Forces, and the Italian Co-Belligerent Air Force. Designed by Bell Aircraft, it had an innovative layout, with the engine installed in the center fuselage, behind the pilot, and driving a tractor propeller via a long shaft. It was also the first fighter fitted with a tricycle undercarriage. Although its mid-engine placement was innovative, the P-39 design was handicapped by the absence of an efficient turbo-supercharger, limiting it to low-altitude work. Together with the derivative P-63 Kingcobra, the P-39 was one of the most successful fixed-wing aircraft manufactured by Bell.

92142

Stavební návod / Instruction

CLEAR PART (C)

CP1

CP2

CP3

CP4

CP5

POLYURETHAN PARTS (PUR)

PUR1

PUR2

LEGEND

ořezat band

včetně lepidla cyanoacrylate glue

odstranit remove

upravit reduce

vrtat open hole

výrobil scratch build

oblisk decal

barva color

film

COLORS

a Černá Black

b Interier: žlutá Yellow primer

c Stříbrná Silver

d Píchno Linen

e Kůže Leather

f Hliníková Aluminium

g Chromová Chrome

h Olivová Olive

h Červená Red

i Bílá White

j Žlutá Yellow

k Pneumatiky Tyres Black

l Rozová Rust

m Tmavá šedá Dark Grey

n Kovová Gun metal

o Inter. zelená Zinc Chromate green

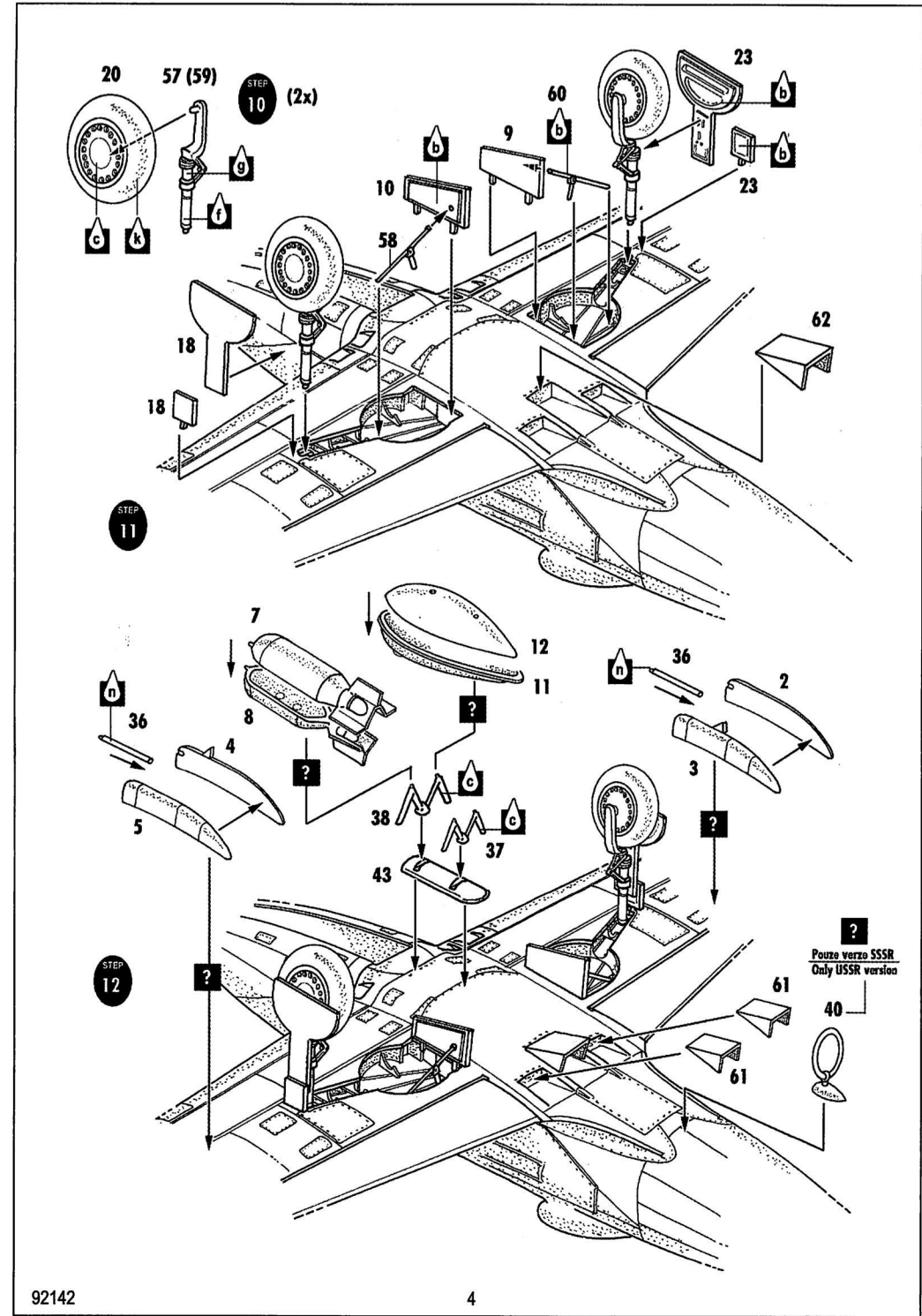
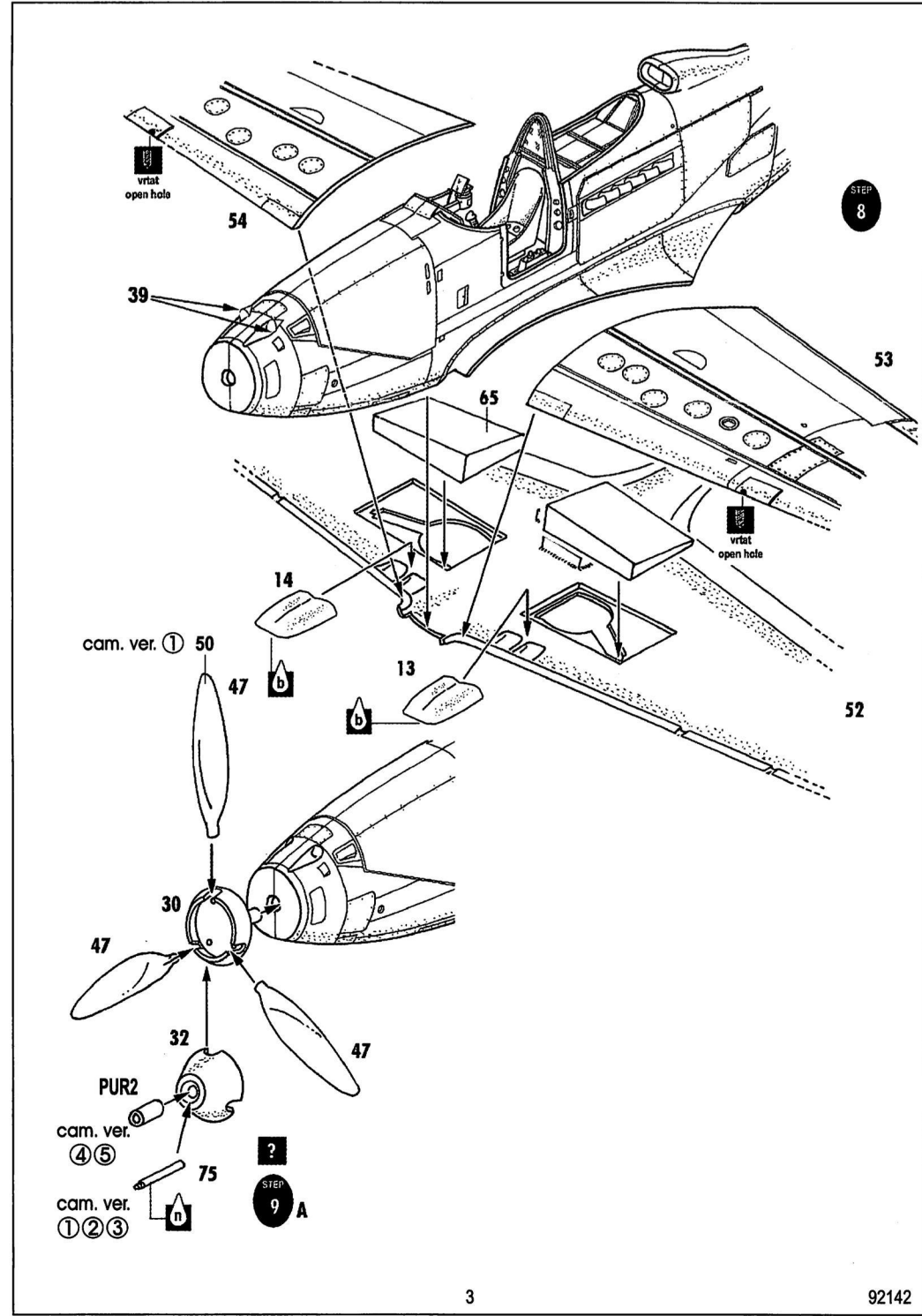
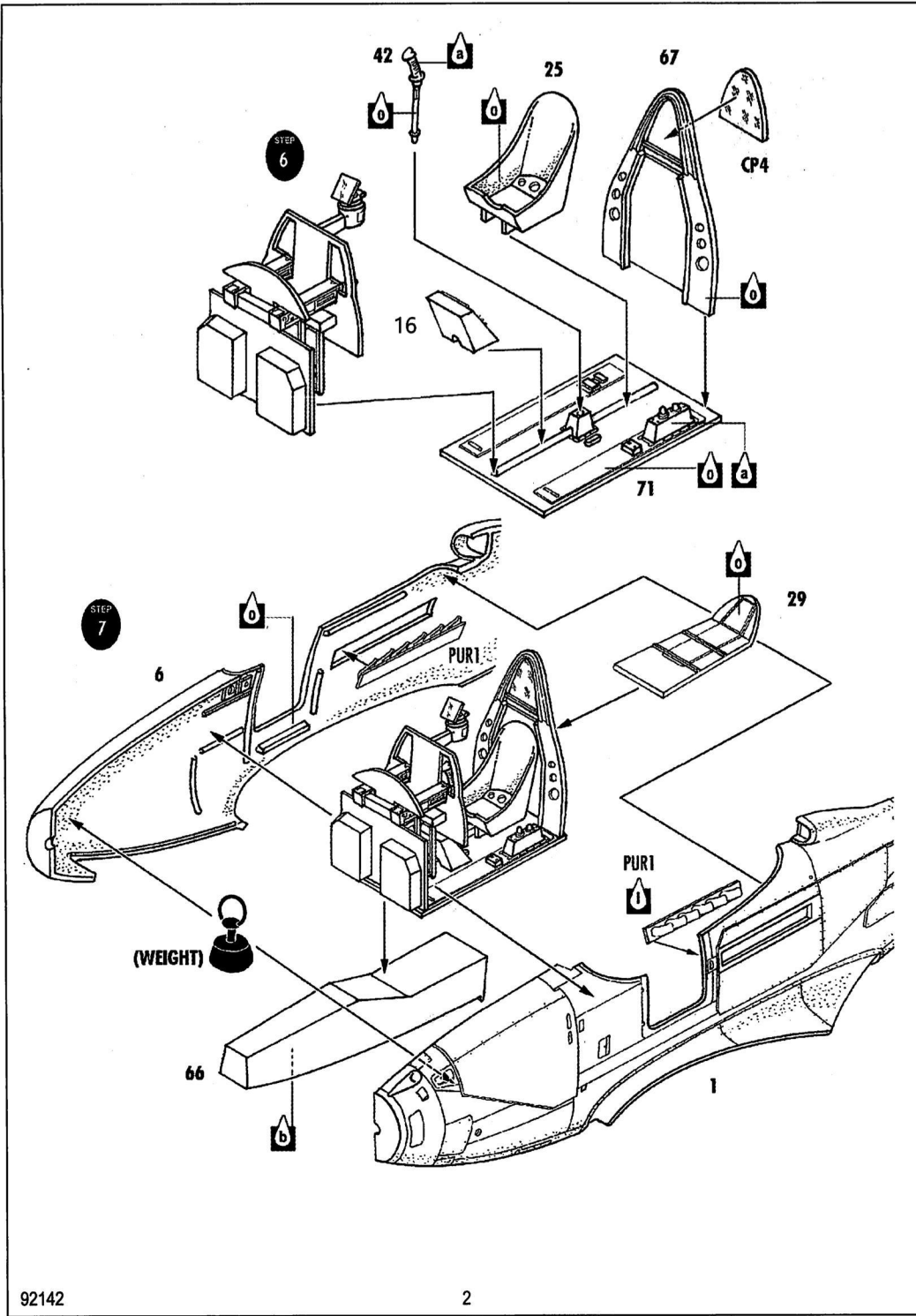
STEP 1

STEP 2

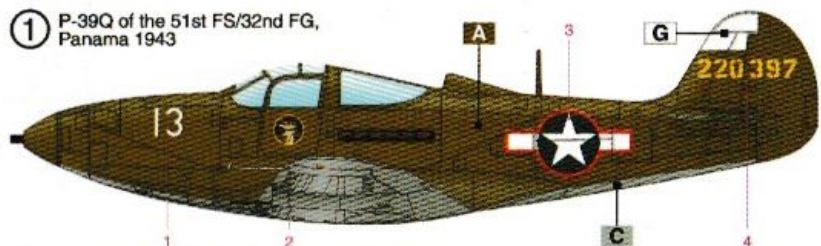
STEP 3

STEP 4

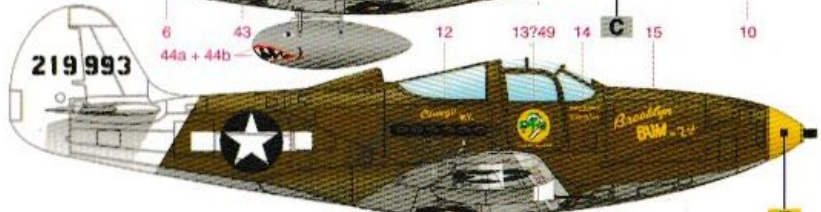
92142



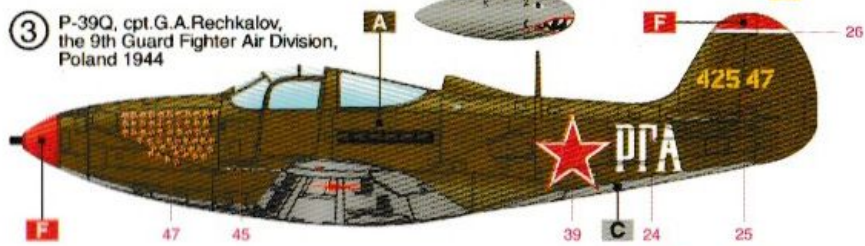
① P-39Q of the 51st FS/32nd FG, Panama 1943



② P-39Q-6 of the 82nd TRS/71st TRG, New Guinea, pilot Lt. Peter A. McDermott.



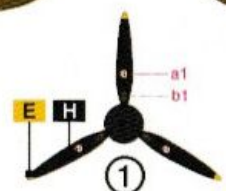
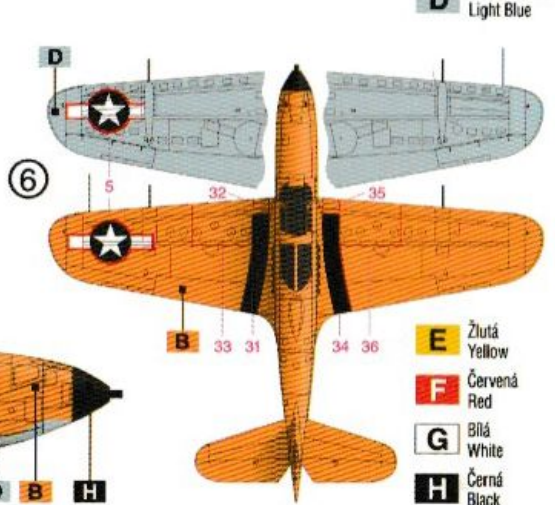
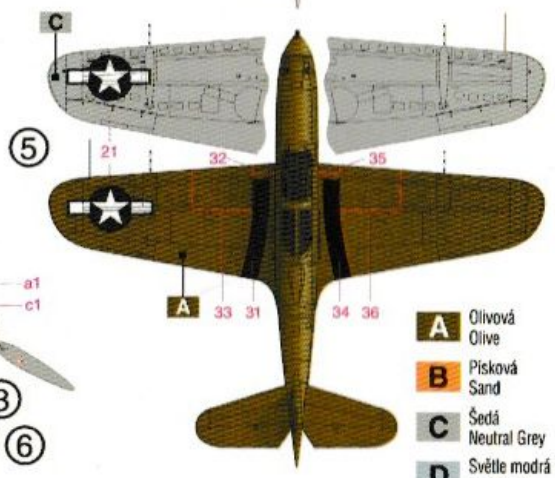
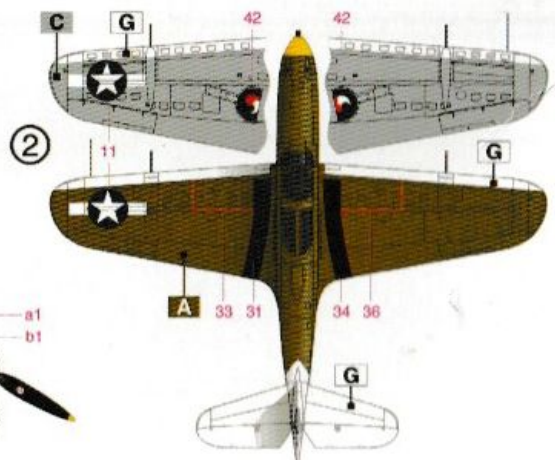
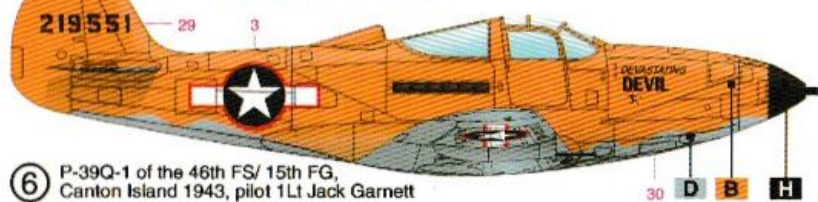
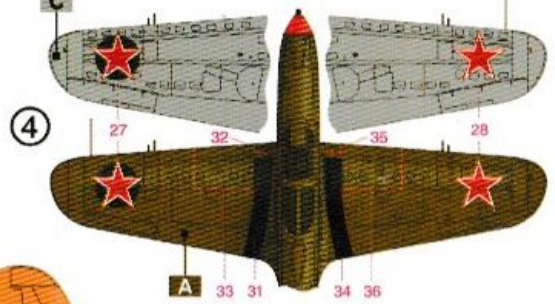
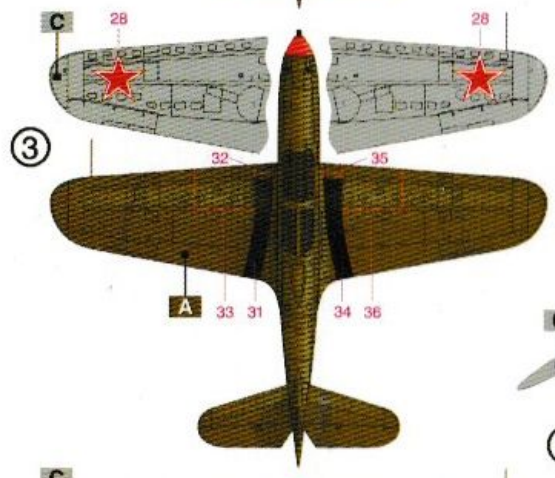
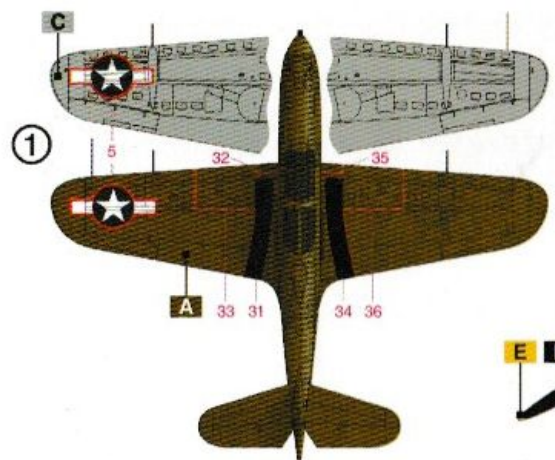
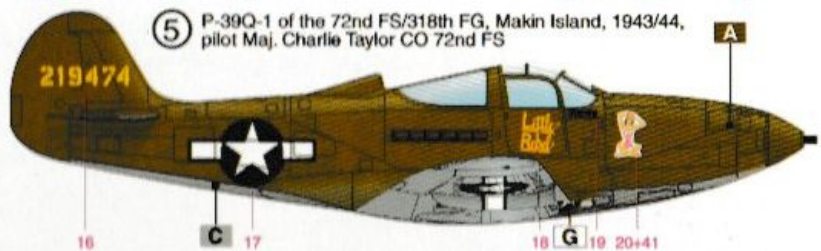
③ P-39Q, cpt.G.A.Rechkalov, the 9th Guard Fighter Air Division, Poland 1944



④ P-39N, cpt.G.A.Rechkalov, the 9th Guard Fighter Air Division, Poland 1944



⑤ P-39Q-1 of the 72nd FS/318th FG, Makin Island, 1943/44, pilot Maj. Charlie Taylor CO 72nd FS



- A** Olivová Olive
- B** Písková Sand
- C** Šedá Neutral Grey
- D** Světle modrá Light Blue

- E** Žlutá Yellow
- F** Červená Red
- G** Bílá White
- H** Černá Black