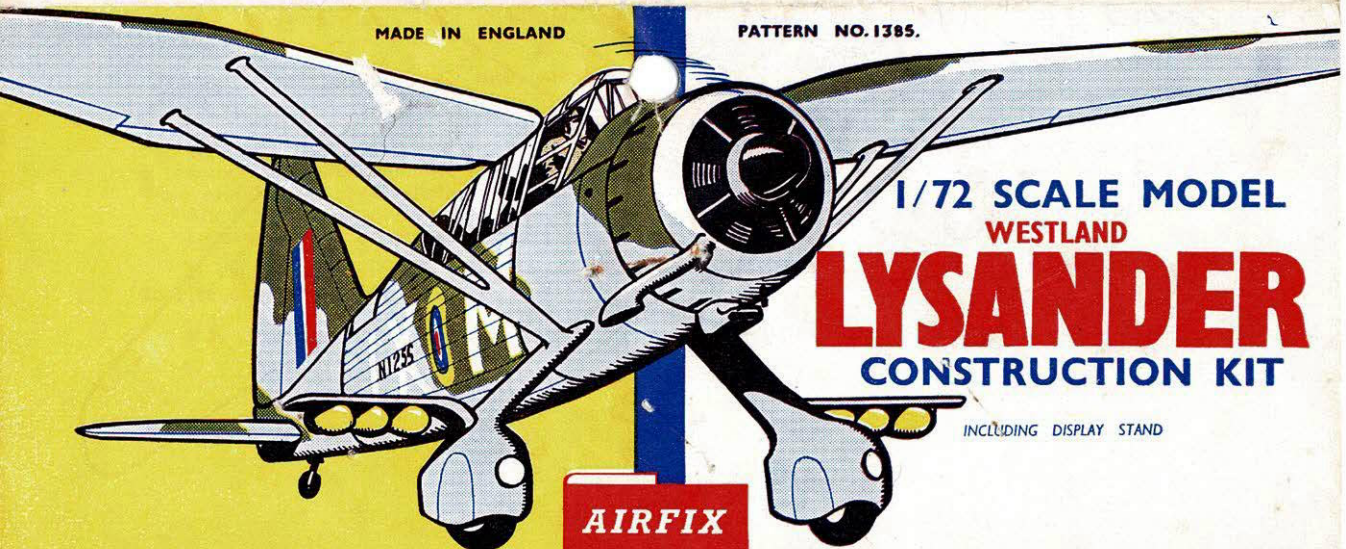


MADE IN ENGLAND

PATTERN NO. 1385.



1/72 SCALE MODEL
WESTLAND

LYSANDER

CONSTRUCTION KIT

INCLUDING DISPLAY STAND

AIRFIX

ONE OF THE AIRFIX SERIES OF SCALE

MODELS OF FAMOUS TYPES OF AIRCRAFT

WESTLAND LYSANDER (MARK II)

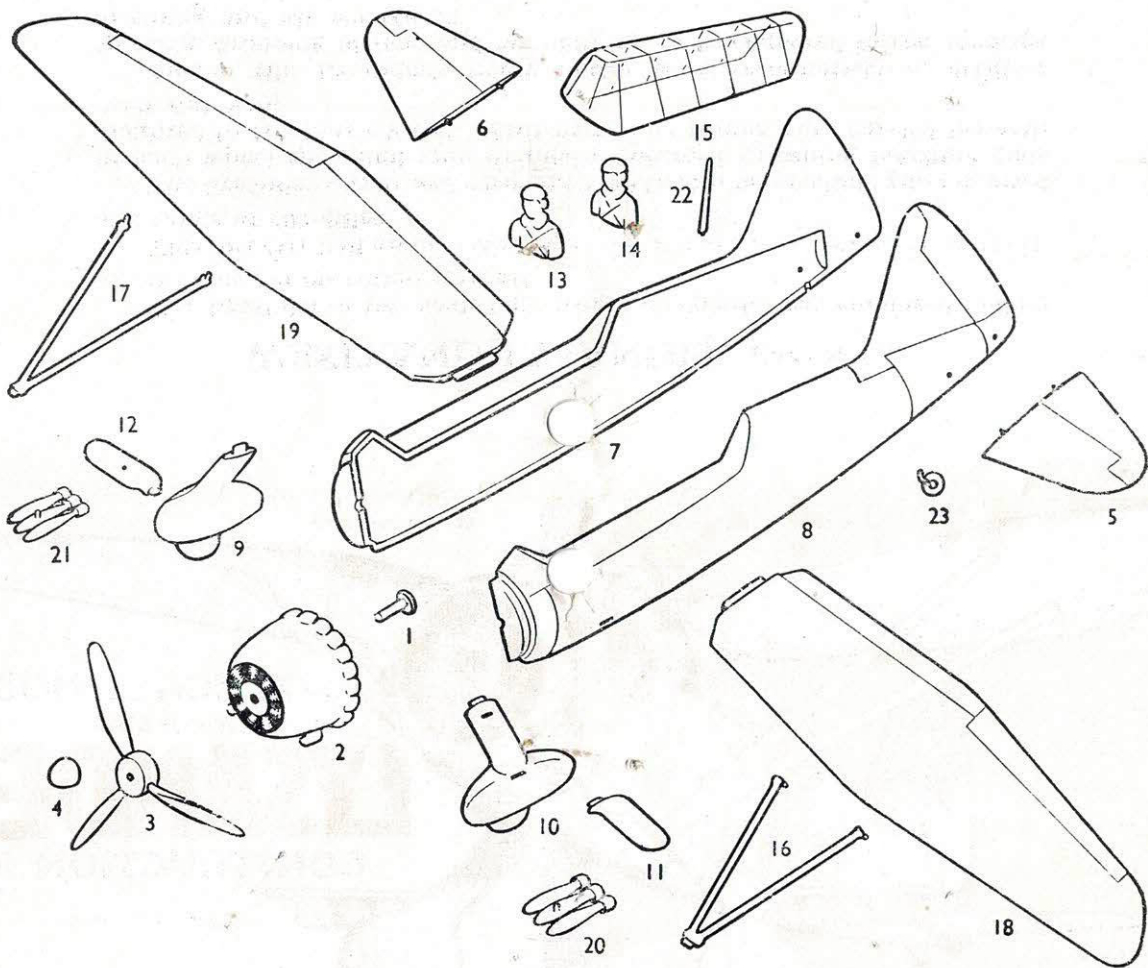
The Lysander, a two-seat, high wing monoplane, was employed mainly as an Army Co-operation aircraft.

This aircraft had an operating speed of 170 m.p.h., a ceiling of 26,000 ft. and range of 600 miles.

The Lysander was armed with one fixed Browning machine gun mounted in each wheel spat, and twin manually-operated Browning machine guns mounted in the rear cockpit. Anti-personnel bombs were carried beneath each stub wing.

Among the Lysander's many duties were reconnaissance, artillery spotting, dropping of food and ammunition to beleaguered forces, message dropping and air-sea rescue.

PLEASE OPEN CAREFULLY — INSTRUCTIONS OVERLEAF



WESTLAND LYSANDER

Instructions

1. Cement together both parts of stand and allow to dry.
2. Push propeller shaft through engine cowling, locate propeller, then cement on spinner (1, 2, 3 & 4).
3. Cement elevators to fuselage by inserting elevator pegs through holes in fuselage and apply cement on the inside (5 & 6).
4. Cement together fuselage halves (7 & 8).
5. Cement undercarriage legs onto fuselage (9 & 10).
6. Cement stub wings to undercarriage (11 & 12).
7. Cement in position both crew members (13 & 14).
8. Cement on cockpit cover (15).
9. Cement wing struts (16 & 17) to wings (18 & 19).
10. Locate and cement wings to canopy, and struts to undercarriage legs. Carry out both of these operations quickly before cement sets.
11. Cement cowling assembly to fuselage.
12. Cement bombs (20 & 21) to stud wings.
13. Cement in position Radio Antenna (22).
14. Cement in position tail wheel (23).

To apply transfers, first cut the sheet into nine separate subjects. Then dip each in hot water for a few moments, slide transfer off backing paper into positions as indicated on illustration. Red and Blue roundels on upper surfaces of wings.

Allow Squadron markings to become firmly fixed before applying aircraft registration number. Locate and cement finished model to stand.

If you wish to enhance your model, before fixing transfers paint all over khaki, then dark green to give camouflage effect.

N.B. For painting use Airfix Painting Packs. For fixing use Airfix Polystyrene Cements.

All Airfix Aircraft Construction Kits in Series 1, 2, 3, 4, 5 are made to a constant 1/72 scale. All models are designed with the same skill and attention to detail so that a large and varied collection can be built up. Each model is true to scale and realistic in relationship to all other models. Other fine Airfix Construction Kits are available in various series such as Historical Ships, 1/32 Vintage Cars and 1/12 model figures. A list of the many other Airfix Models which you can make will be found on a Slip in this package.