



KIT 2869

85286900200

# Miami Vice™ Ferrari TESTAROSSA

The '80's television series "Miami Vice™" was more than a success in the viewer ratings, it seemed to influence the look and texture of TV shows and films that followed it. The show was among the first to license and use popular songs for its soundtrack, a practice still in use today. Because of the millions of dollars of proceeds from the illegal activities of the drug smugglers, which was the core of the show's premise, incredibly elaborate and expensive houses and automobiles were liberally used as backdrops for scenes. They became in essence co-stars in the stories, a far cry from the early days of television when the manufacturer's emblems on a car being filmed were covered with tape. In order to fit in among the criminals in this scenario, undercover vice detectives Sonny Crockett and Ricardo Tubbs, as portrayed by actors Don Johnson and Phillip Michael Thomas, were supplied with expensive clothing, speedboats and at the start of the third season, a Ferrari Testarossa.

The Testarossa was a mid-engined screamer, its 5 liter DOHC 12 cylinder engine producing 380 horsepower and the ability to pull zero to 60 mph times of just over five seconds. With a top

speed of 181 mph, it was the world's fastest production car available at the time. Its gill-like fins on the doors provided air flow to the engine radiators just behind the door openings. With the high profile the show's success brought, Ferrari executives had no problem loaning two of their flagship cars even though they knew that most of the show's viewers would never be able to afford one. Originally, the Testarossa cars loaned to the show were black in color. Because many of the scenes were filmed at night, many of the car's body contours were lost on film. Thus, the cars were repainted white. The two actual Ferraris were used in close up shots with the actors, and a third "stunt" car, which was actually an old DeTomaso Pantera fitted with Testarossa body panels, was built for the chase scenes. This car was equipped with nitrous, roll bars to protect the stunt drivers and an extra brake pedal that would lock up only the rear wheels for wild oversteer turns on camera.

At over \$80,000 each, you really can't blame Ferrari for wanting to protect their finest car, can you? We hope you enjoy building your new Revell "Miami Vice" Ferrari Testarossa.



\* REPEAT SEVERAL TIMES  
\* A REPETER PLUSIEURS FOIS



\* OPTIONAL PARTS  
\* PIECES EN OPTION



\* DECAL  
\* DECAL COMANIE



\* ALTERNATIVE ASSEMBLY  
\* ENSEMBLAGE ALTERNATIVE



\* CEMENT TOGETHER  
\* A COLLER



\* REMOVE AND THROW AWAY  
\* A RETIRER ET JETER



\* DO NOT CEMENT  
\* NE PAS COLLER

### READ THIS BEFORE YOU BEGIN

- \* Study the assembly drawings.
- \* Each plastic part is identified by a number.
- \* In the assembly drawings, some parts will be marked by a star (★) to indicate chrome plated plastic.
- \* For better paint and decal adhesion, wash the plastic parts in a mild detergent solution. Rinse and let air dry.
- \* Check the fit of each piece before cementing in place.
- \* Use only cement for polystyrene plastic.
- \* Scrape plating and paint from areas to be cemented.
- \* Allow paint to dry thoroughly before handling parts.
- \* Any unused parts may be discarded.

### DECAL APPLICATION INSTRUCTIONS

1. Cut desired decal from sheet.
2. Dip decal in water for a few seconds.
3. Place wet decal on paper towel.
4. Wait until decal is movable on paper backing.
5. Place decal in position on model, face up and slide backing away.
6. Press out air bubbles with a soft damp cloth.
7. Milkyness that may appear is for better decal adhesion and will dry clear. Wipe away any excess adhesive.
8. Do not touch decal until fully dry.
9. Allow the decals 48 hours to dry before applying clear coat.

**NOTE:** Decals are compatible with setting solutions or solvents.

### LIRE CE QUI SUIT AVANT DE COMMENCER

- \* Etudier les schémas de montage.
- \* Chaque pièce en plastique est identifiée par un numéro.
- \* Sur les schémas de montage, certaines pièces sont marquées d'une étoile (★) pour indiquer qu'elles sont en plastique chromé.
- \* Pour une meilleure prise de la peinture et des autocollants, laver les pièces en plastique avec une solution détergente peu concentrée. Les rincer et les laisser sécher à l'air.
- \* Vérifier que chaque pièce s'ajuste bien avant de la coller en place.
- \* N'utiliser que de la colle pour polystyrène.
- \* Gratter les parties à coller pour enlever le chrome et la peinture.
- \* Laisser la peinture bien sécher avant de manipuler les pièces.
- \* Toute pièce inutilisée peut être jetée.

### DIRECTIVES D'APPLICATION DES AUTOCOLLANTS

1. Découper l'autocollant désiré de la feuille.
2. Tremper l'autocollant dans de l'eau pendant quelques secondes.
3. Placer l'autocollant mouillé sur une serviette en papier.
4. Attendez que l'autocollant puisse être déplacé sur son support en papier.
5. Mettre l'autocollant en position sur le modèle face sur le dessus et faire glisser le support pour l'enlever.
6. Appuyer avec un chiffon doux humide pour éliminer les bulles d'air.
7. La substance laiteuse qui peut apparaître est destinée à améliorer l'adhésion de l'autocollant et devient incolore au séchage. Essuyer pour enlever tout excédent d'adhésif.
8. Ne pas toucher l'autocollant tant qu'il n'est pas bien sec.
9. Laisser l'autocollant sécher pendant 48 heures avant d'appliquer une couche transparente.

**REMARQUE:** Les autocollants sont compatibles avec les solutions de fixage ou les solvants.

### This paint guide is provided to complete this kit as shown on the box.

*Ce guide de peinture est fourni pour reproduire le modèle réduit qui apparaît sur la boîte.*

|                   |                                   |
|-------------------|-----------------------------------|
| Aluminum          | Aluminium                         |
| Flat Black        | Noir mat                          |
| Gloss Red         | Rouge brillant                    |
| Gloss White       | Blanc brillant                    |
| Semigloss Black   | Noir satiné                       |
| Silver            | Argent                            |
| Tan               | Havane                            |
| Transparent Red   | Rouge transparent                 |
| Turn Signal Amber | Feu clignotant de direction ambre |

If you have any questions or comments, call our hotline at: **(800) 833-3570**  
or, please write to:

**Revell-Monogram Consumer Service Department, 725 Landwehr Road, Northbrook, Illinois 60062**

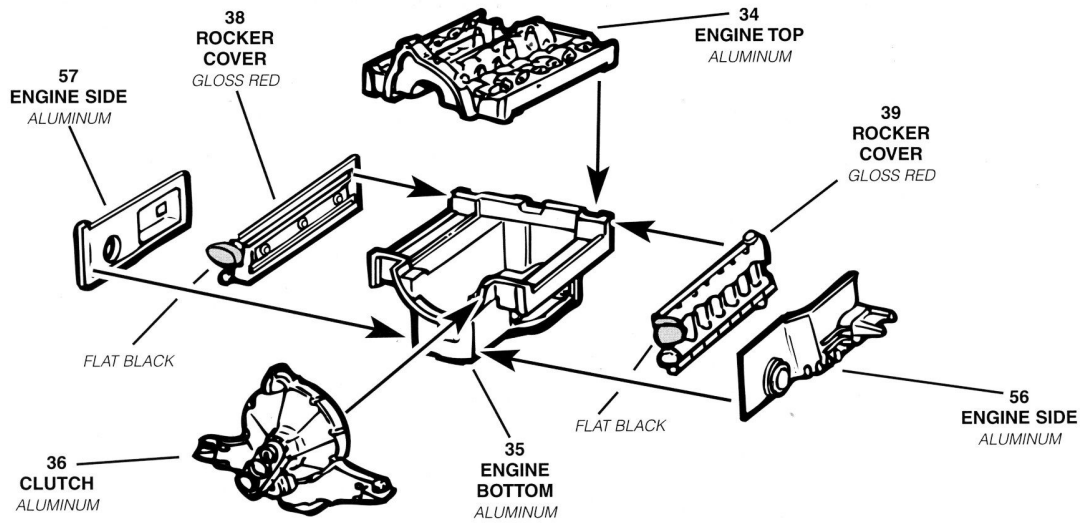
Be sure to include the plan number (85286900200), part number, description, your return address and phone number.

Visit our website: [www.revellmonogram.com](http://www.revellmonogram.com)

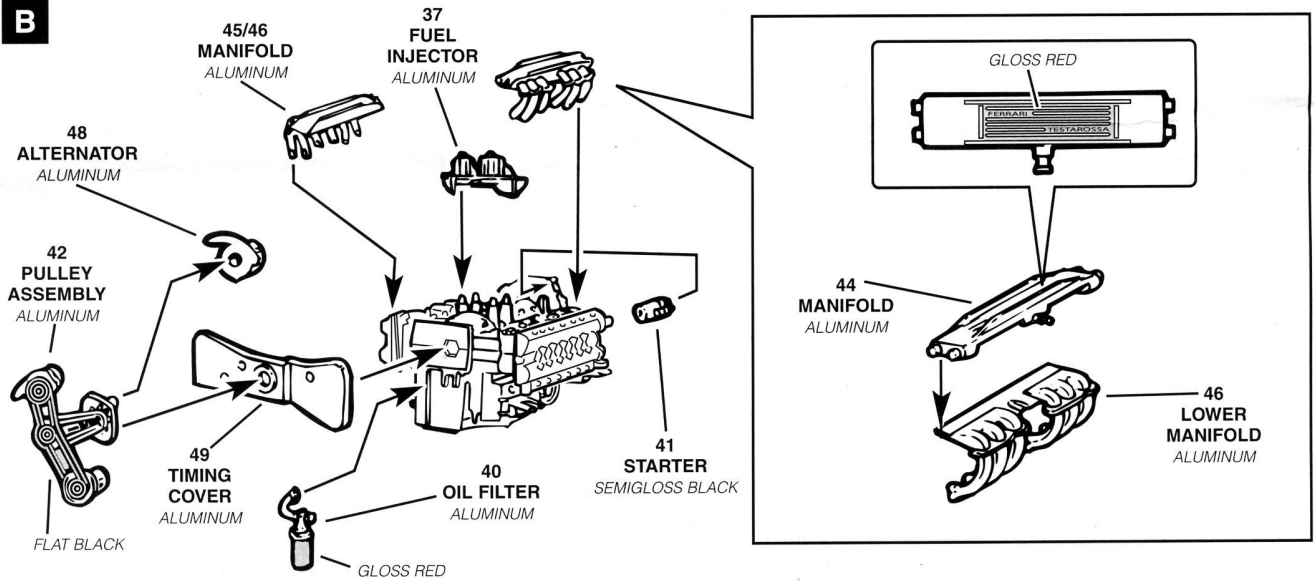
# 1

# ENGINE ASSEMBLY

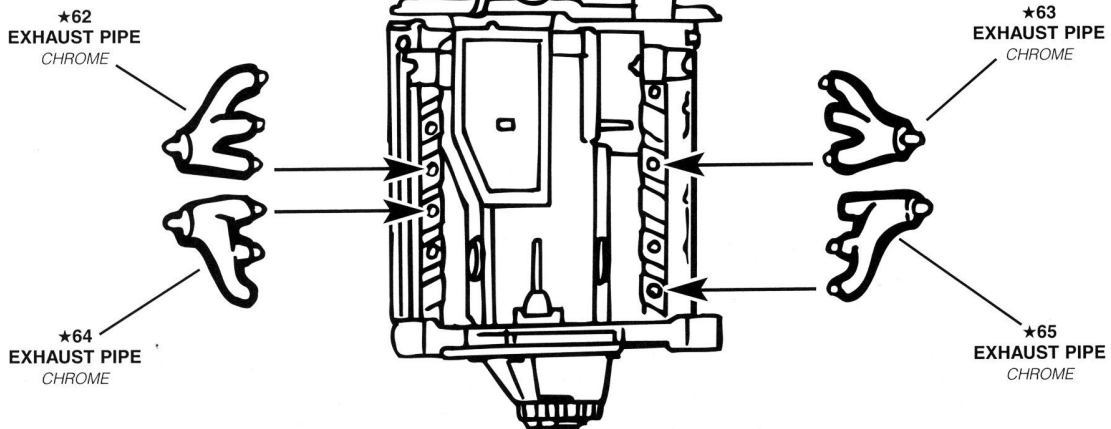
**A**



**B**



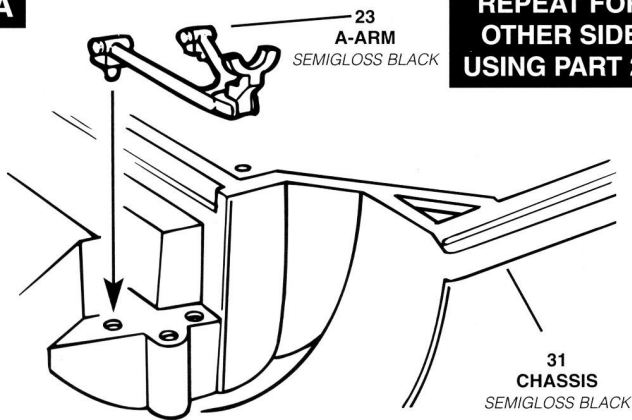
**C**



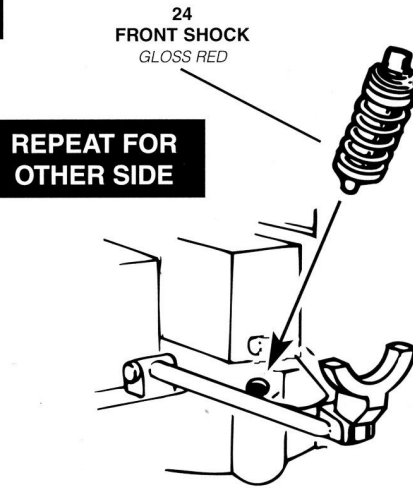
# 2

# REAR SUSPENSION ASSEMBLY

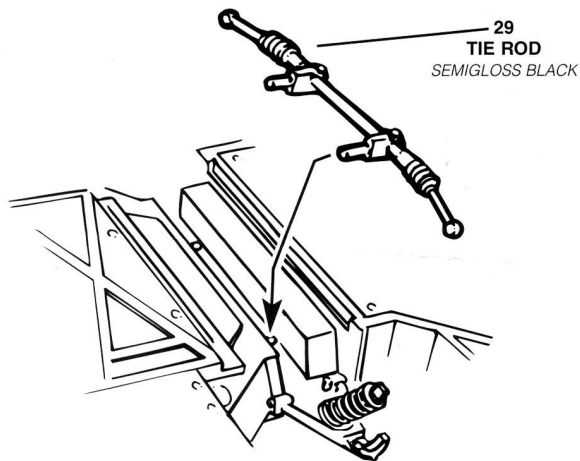
**A**



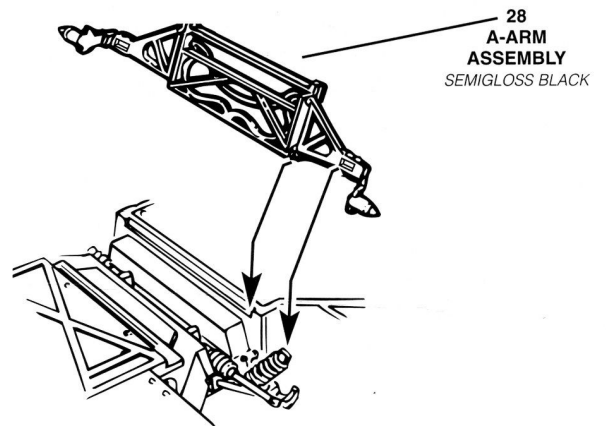
**B**



**C**



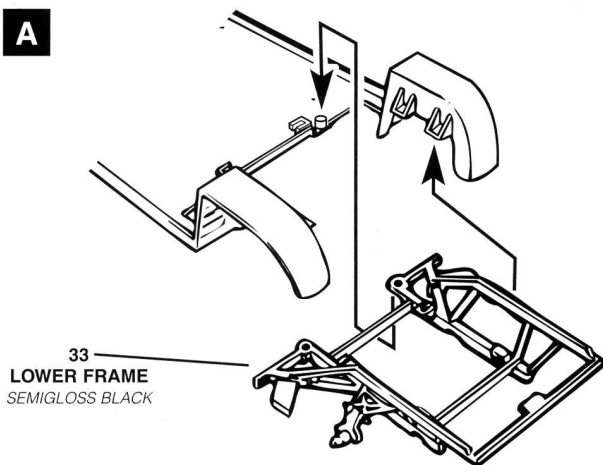
**D**



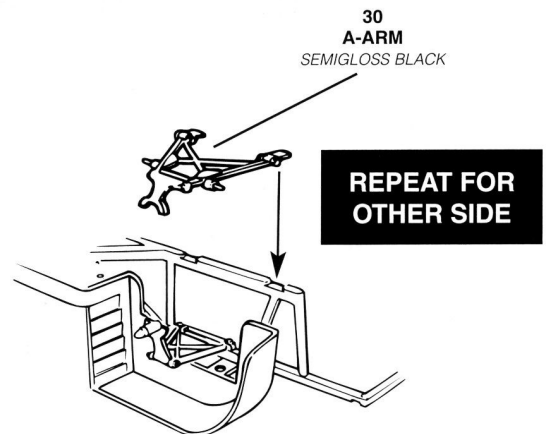
# 3

# FRONT SUSPENSION ASSEMBLY

**A**



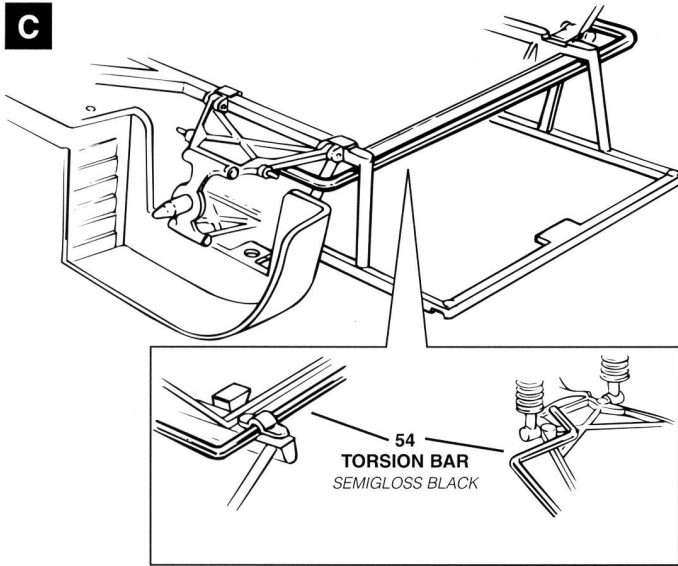
**B**



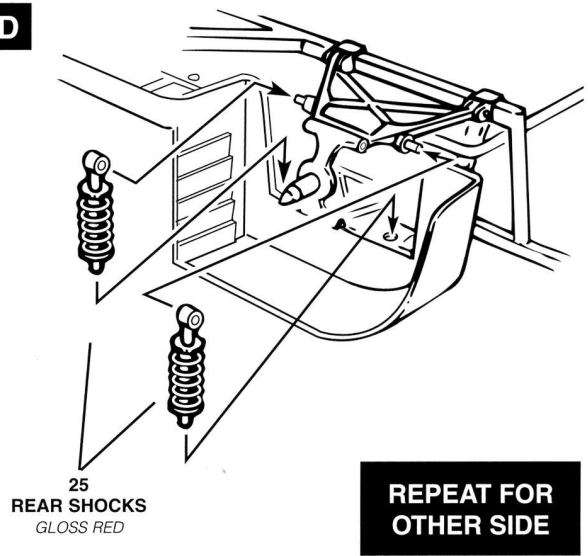
# 3

## FRONT SUSPENSION ASSEMBLY CONTINUED

C



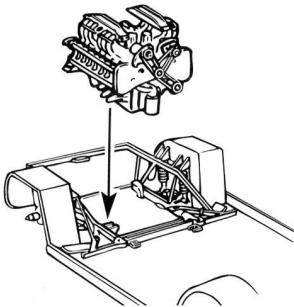
D



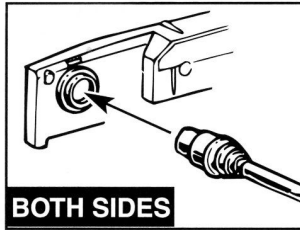
# 4

## DRIVESHAFT ASSEMBLY

ENGINE TO  
CHASSIS



BOTH SIDES



BOTH SIDES



FLAT BLACK

43  
DRIVESHAFT  
ALUMINUM

# 5

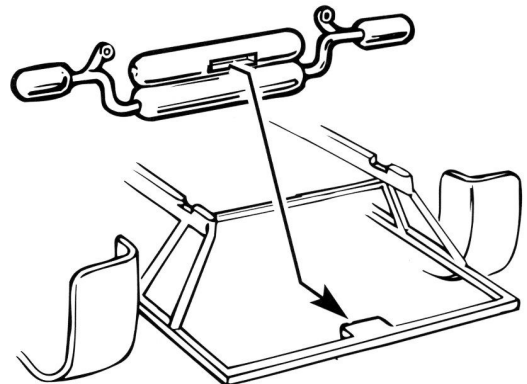
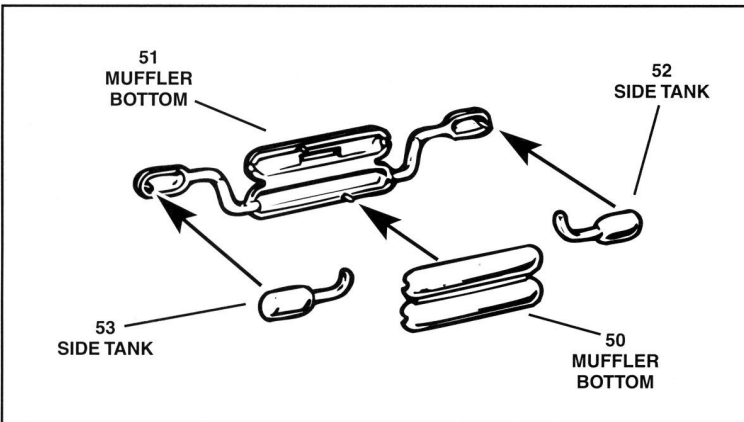
## MUFFLER ASSEMBLY

51  
MUFFLER  
BOTTOM

52  
SIDE TANK

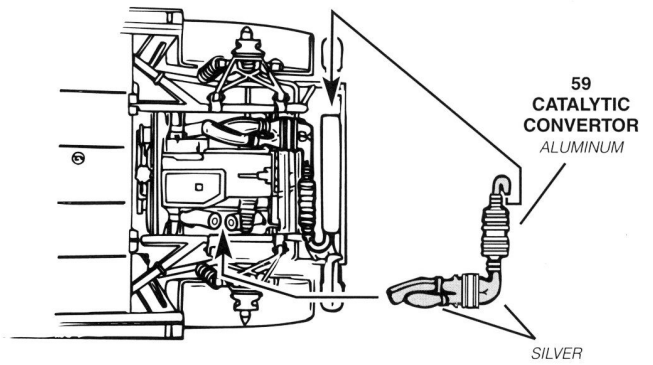
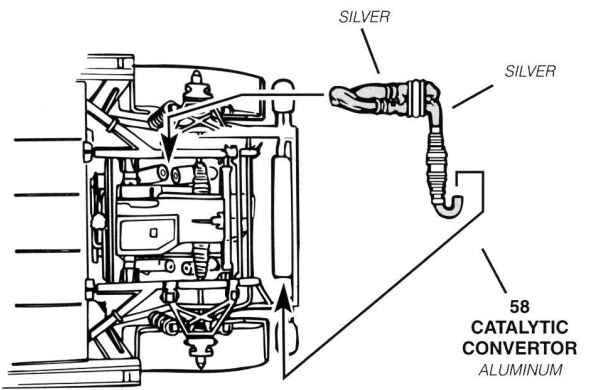
53  
SIDE TANK

50  
MUFFLER  
BOTTOM



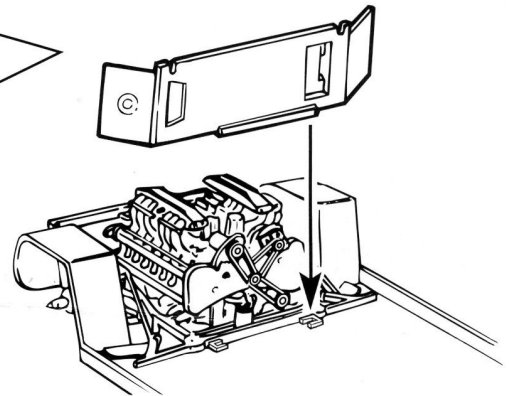
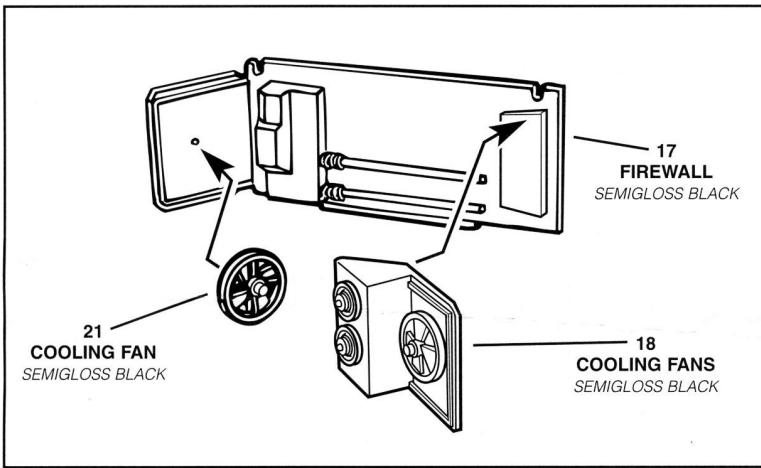
# 6

# CATALYTIC CONVERTER ASSEMBLY



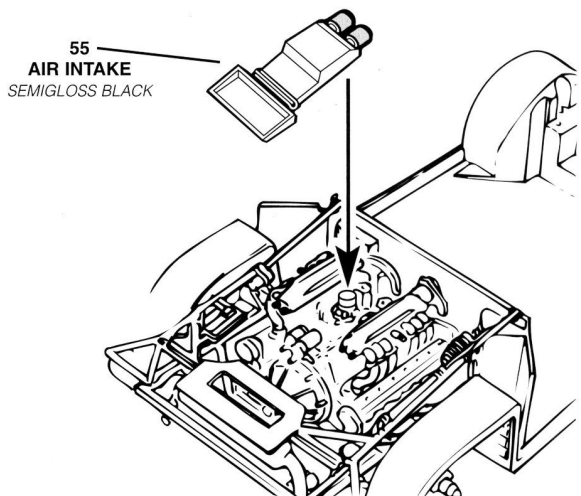
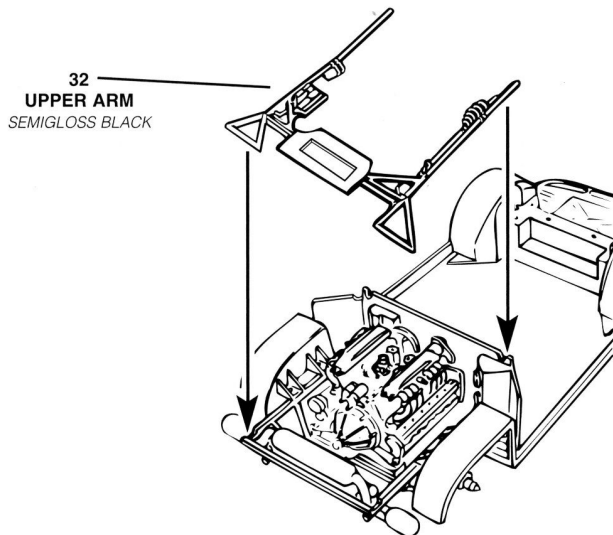
# 7

# FIREWALL ASSEMBLY



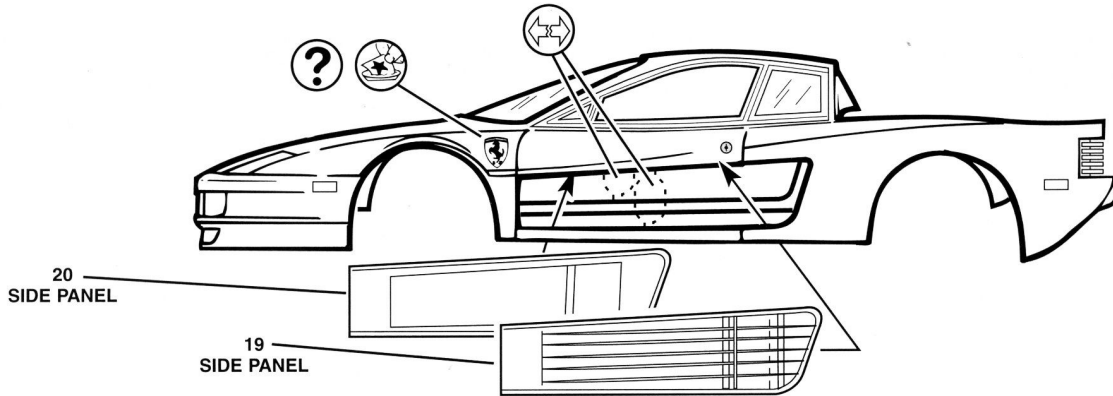
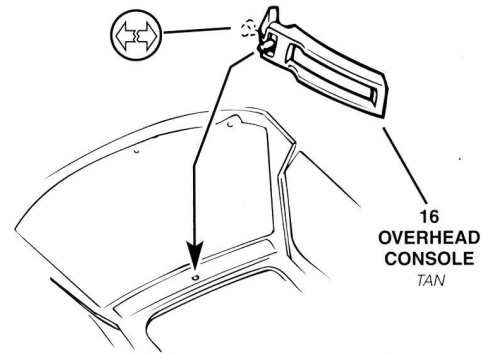
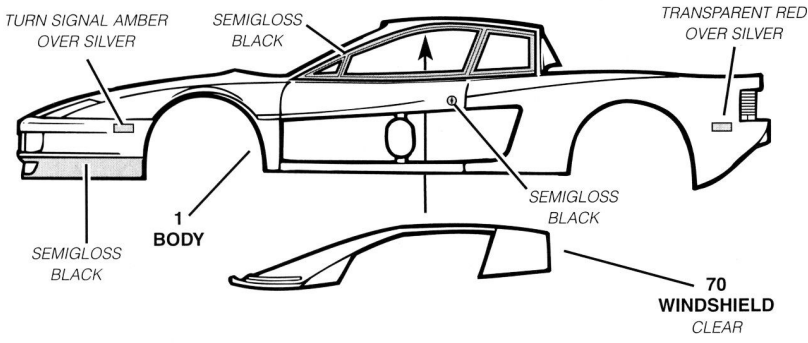
# 8

# FRAME AND AIR INTAKE ASSEMBLY



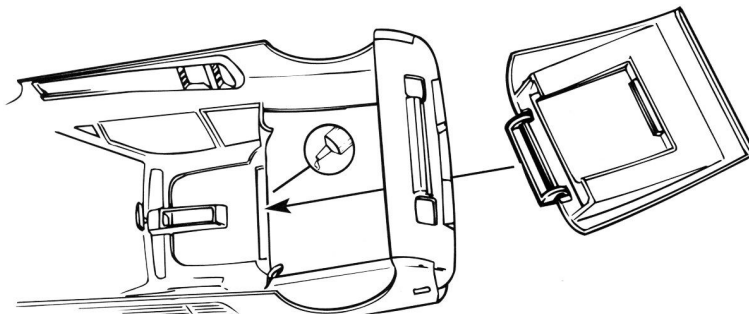
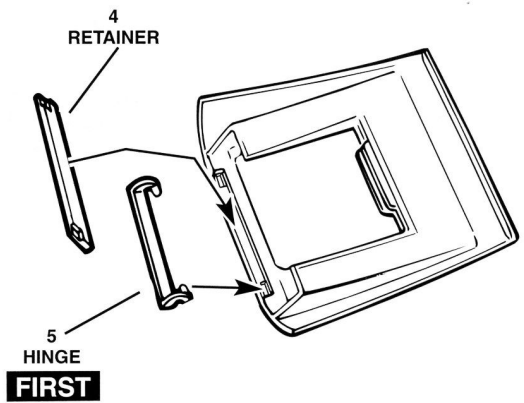
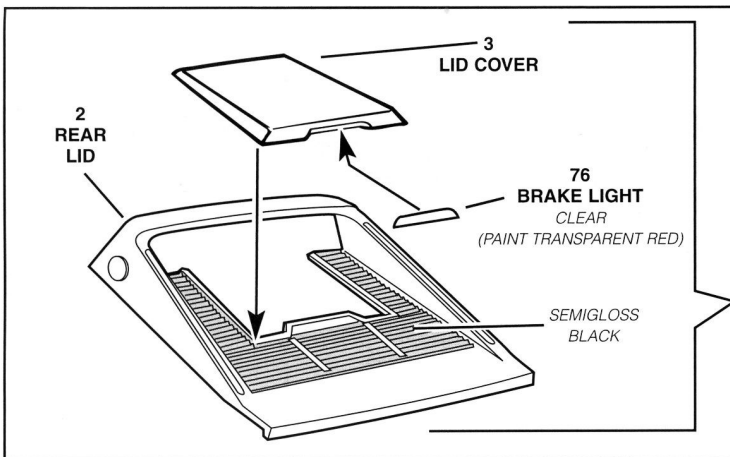
# 9

# WINDOW AND PANEL ASSEMBLY



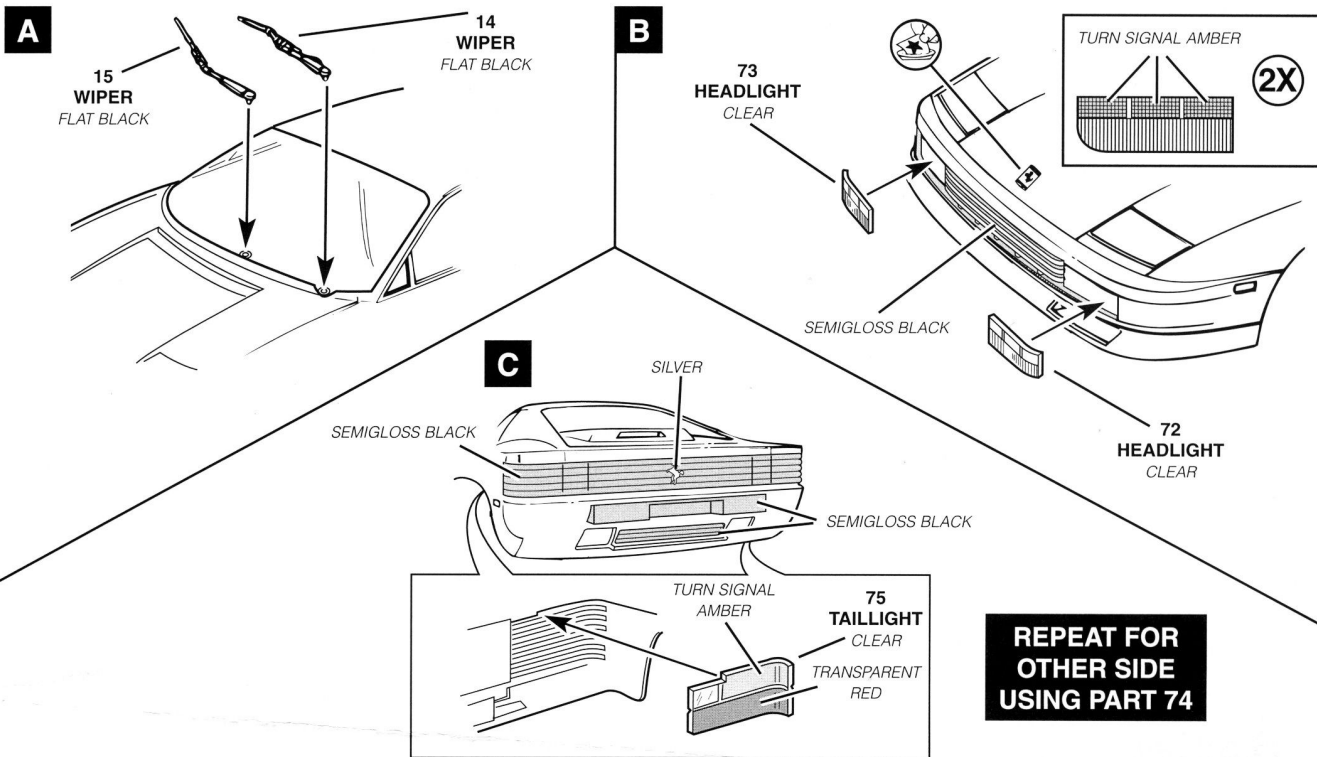
# 10

# REAR LID ASSEMBLY

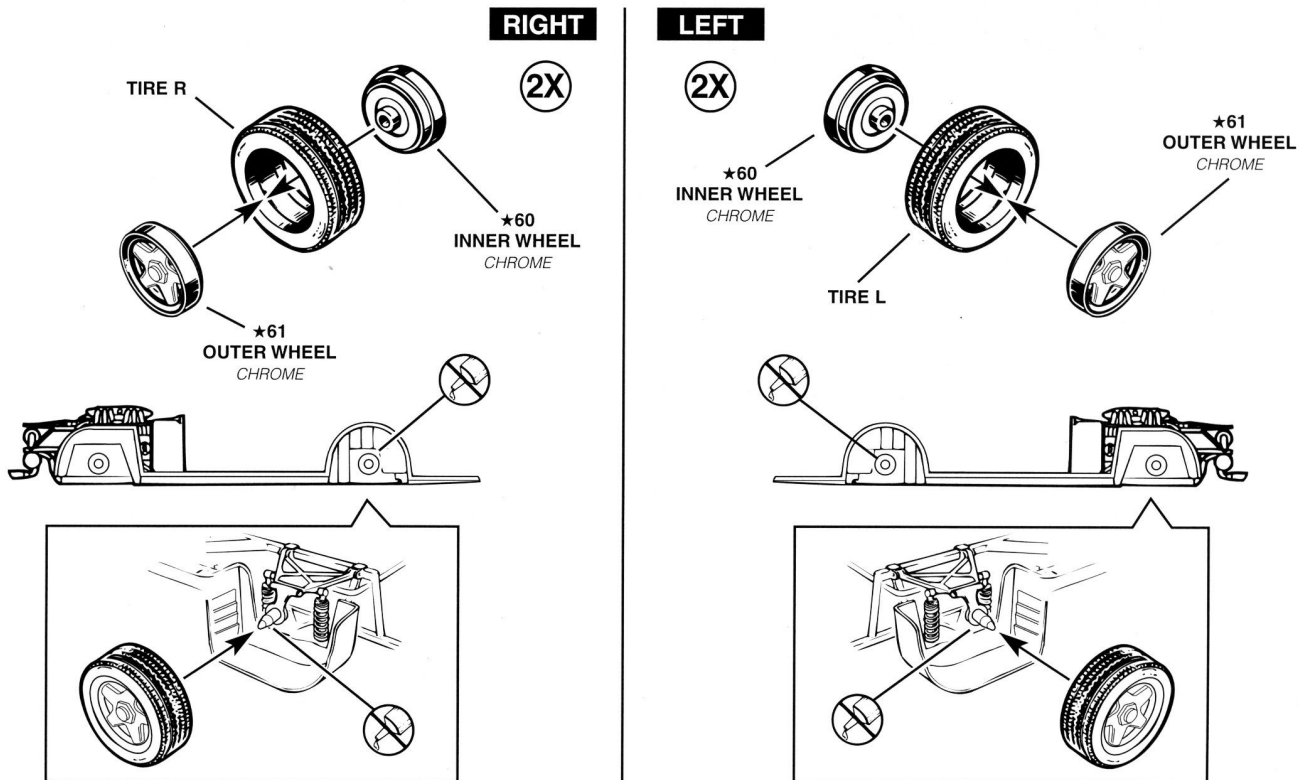




# 11 FRONT AND REAR LIGHT ASSEMBLY

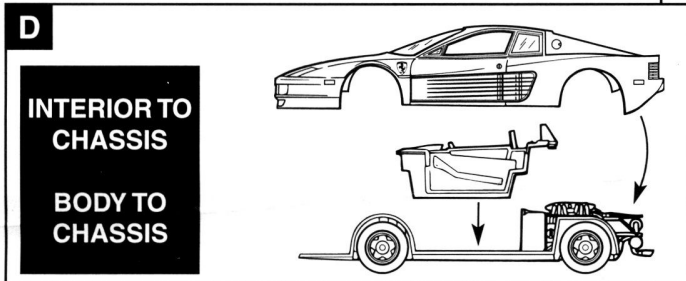
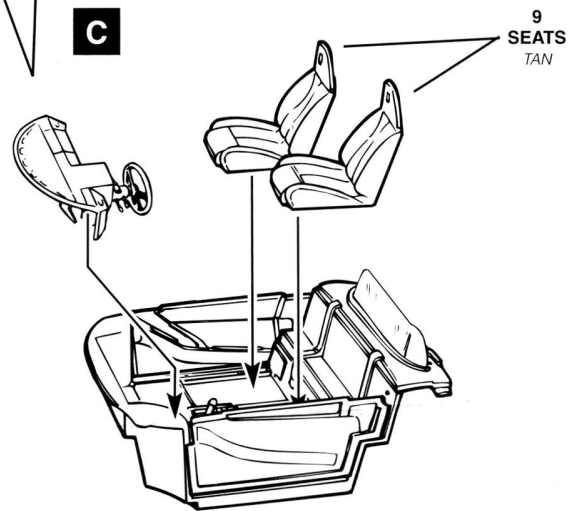
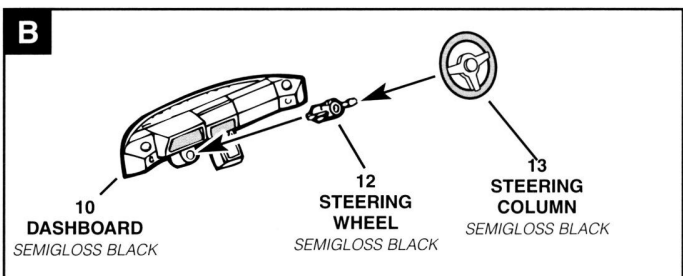
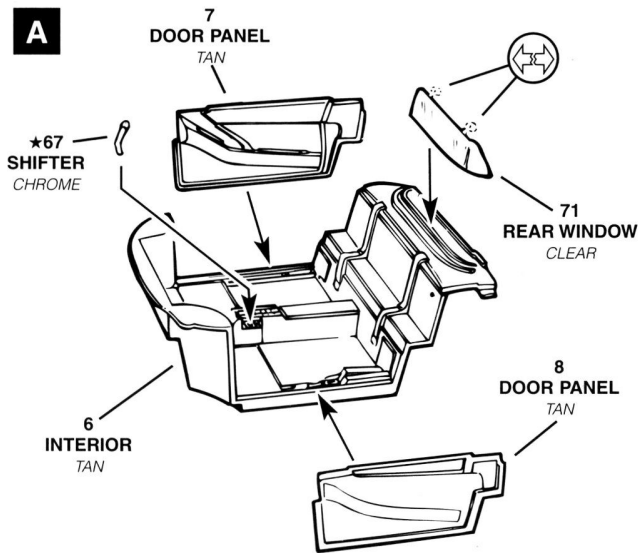


# 12 WHEEL ASSEMBLY



# 13

# INTERIOR ASSEMBLY



# 14

# FINAL ASSEMBLY

