

MCDONNELL DOUGLAS A-4E/F

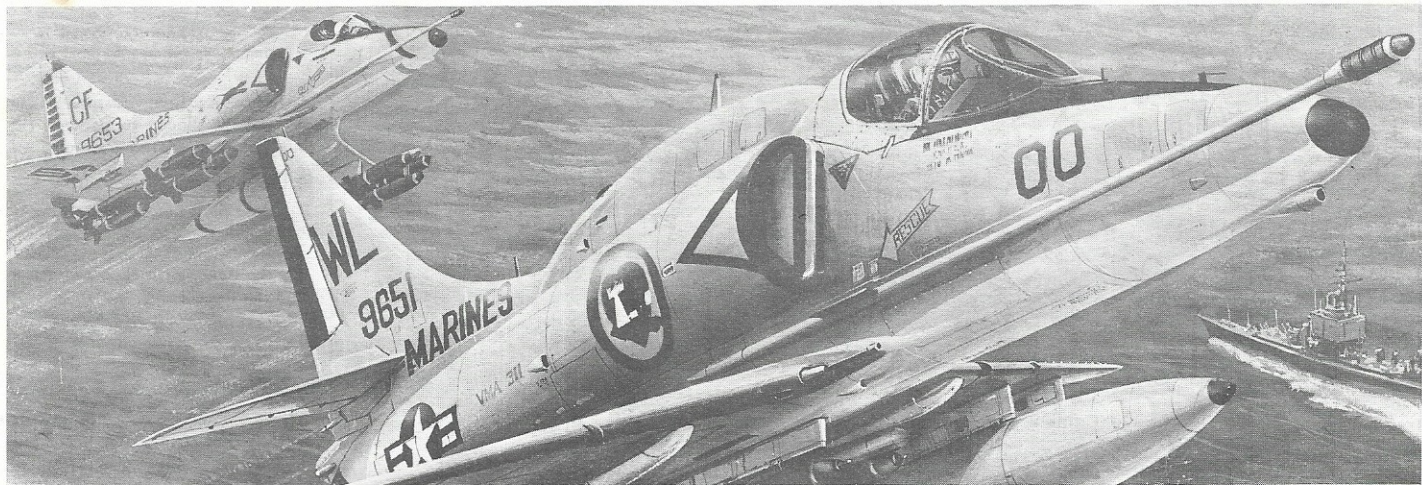
SKYHAWK



Hasegawa

HASEGAWA

1/72 Scale Series Kit No. JS-048



HISTORY

Commented by Tadashi Nozawa

Serving on board of the U.S. Navy Carriers and the land-based Marine Corps for many years, this masterpiece attacker is small, but very mobile and capable to accommodate a wide variety of military weapons. The first flight of Skyhawk prototype took place in 1954 and was called "The bantam class boxer of the air" or "The hercules dwarf", because of its superb attack power. Its action is very agile and the forte is the quick attack on the relative small objects like the enemy aircraft carrier, the tanks, the pill box and the guerilla force at low altitude. Armed with two 20 mm cannons, it has provision to carry rockets, air-to-ground surface missiles, all types of bomb, napalm bombs and torpedoes. It is also capable of arming with nuclear warheads. Skyhawk has been known as the smallest attack plane. The reasons for its long service are due to its light weight and small size which enables the aircraft carrier to carry a large number of them, very little breakdown, easiness to handle on the carrier and the moderate cost of the plane.

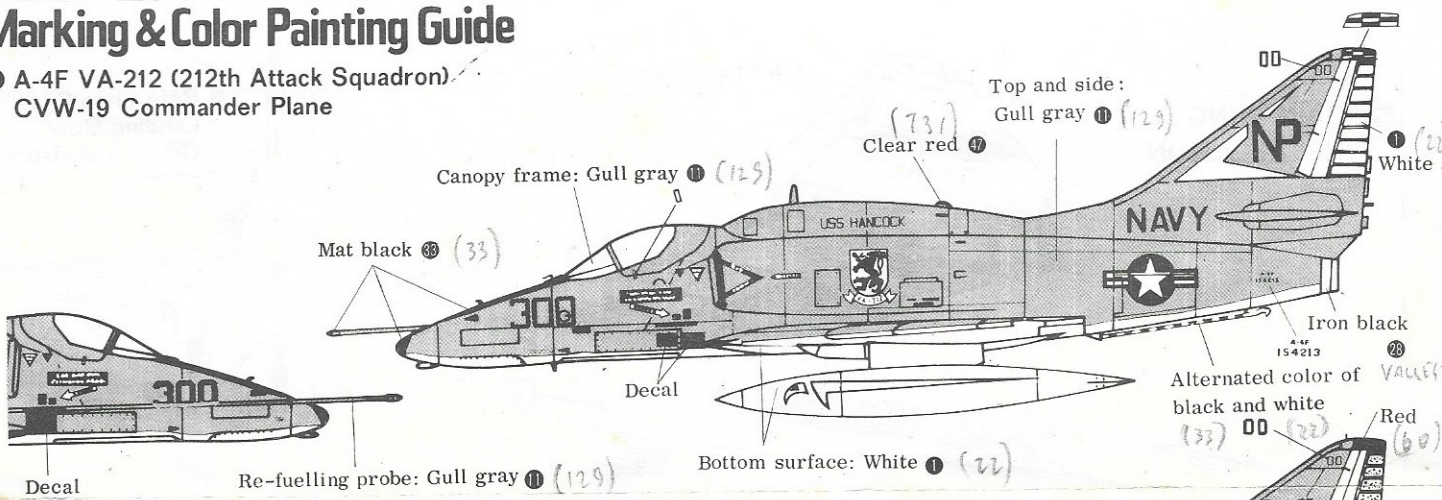
From the initial version A-4A to the latest model A-4N, 3,000 of version models were built. The most famous Skyhawk is the A-4E/F, known for its action in Vietnam. This model kit can be made to either A-4A or A-4N, of the

other models A-4G was supplied to Australia, A-4H/N to Israel and A-4K to the Royal New Zealand Air Force. This model kit is almost identical to these types in appearances and can be made into any models by using the datas and decals respectively. In comparison with model E, the model F has the streamlined electronic dome. The armament is common, therefore, the parts can be used for assembling both models. In 1965, the production of model E was terminated, but due to the heavy involvement in Vietnam war the electronic system was updated and consequently became the model F. Since the A-4 Skyhawk series was good in its utility purpose, its production was continued even after the A-6 Intruder and A-7 Corsair appeared in the scene. These three models demonstrated their authority for the U.S. Navy carrier force. Among these planes the A-4 was overwhelming in the number, and assigned to many units having many insignias.

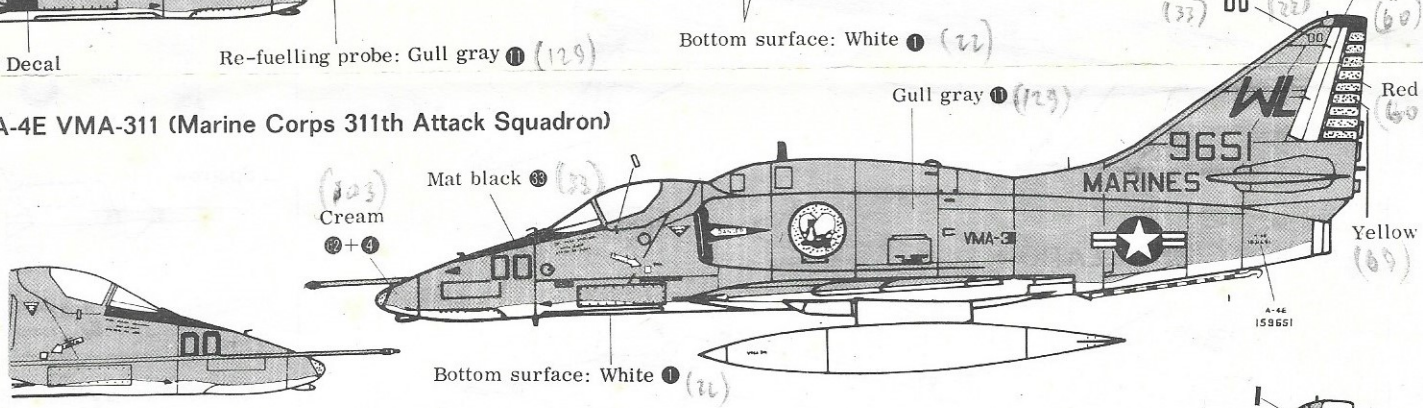
Crew: 1 / Power plant: Pratt & Whitney J52-P-6/8, Turbojet engine, Thrust: 3,855/4,220 kg x 1 / Wing span: 8.38 m / Overall length: 13.07 m / Wing area: 24.16 m² / Weight: 7,845/7,890 kg / Max. speed: Mach 0.9 (level speed) / Service ceiling: 14,900 m / Range: 1,480 km (standard) - 3,220/2,900 km (max.) / Armament: 20 mm cannon x 2 (Besides this, max. armament load of 2,270 kg

Marking & Color Painting Guide

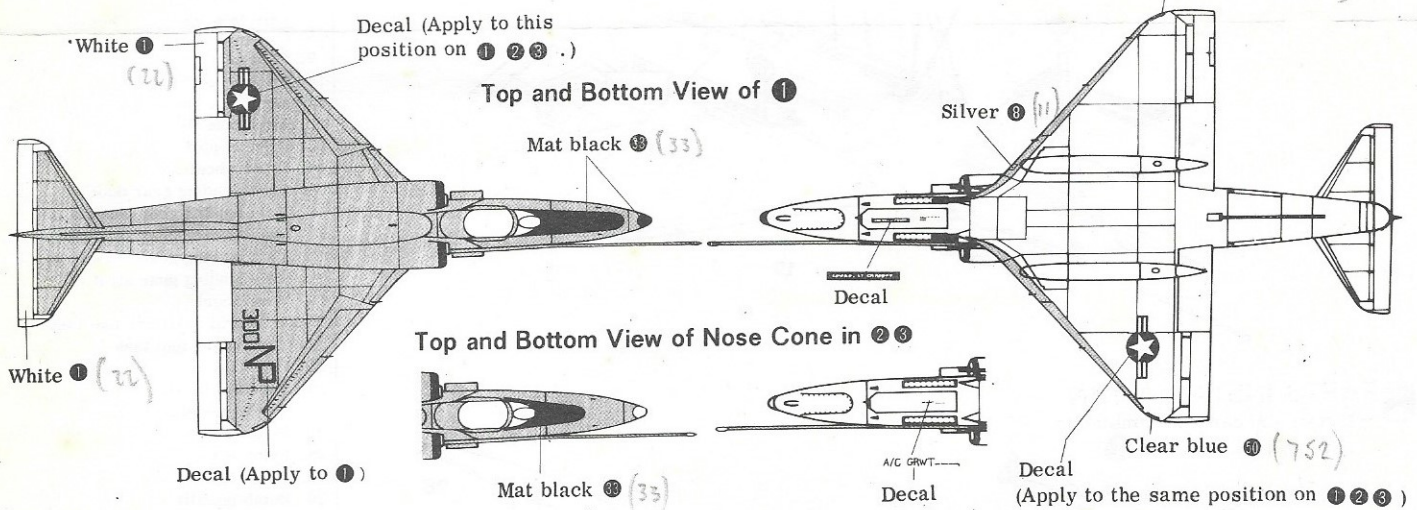
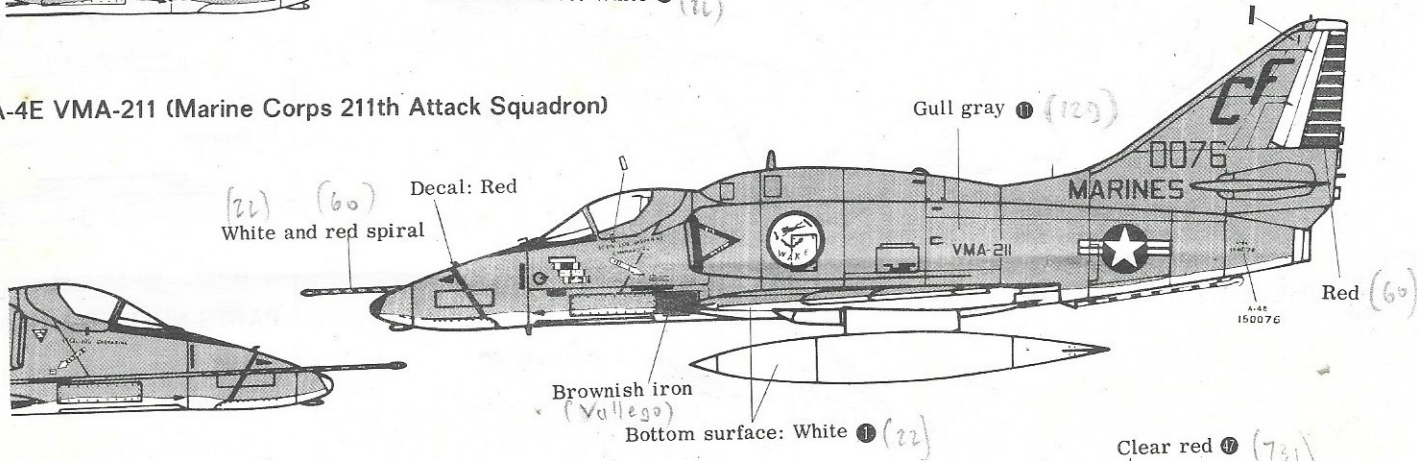
1 A-4F VA-212 (212th Attack Squadron) CVW-19 Commander Plane



2 A-4E VMA-311 (Marine Corps 311th Attack Squadron)

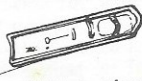


3 A-4E VMA-211 (Marine Corps 211th Attack Squadron)



PAINTING

- ▲ Landing gear housing: White (1)
- ▲ Landing gear cover inner side: White (1)



- ▲ Strut, wheel: White (1)
- Paint oleo in silver
- ▲ Tire: Mat black (33)

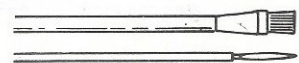
Paint in red.

HOW TO APPLY DECALS

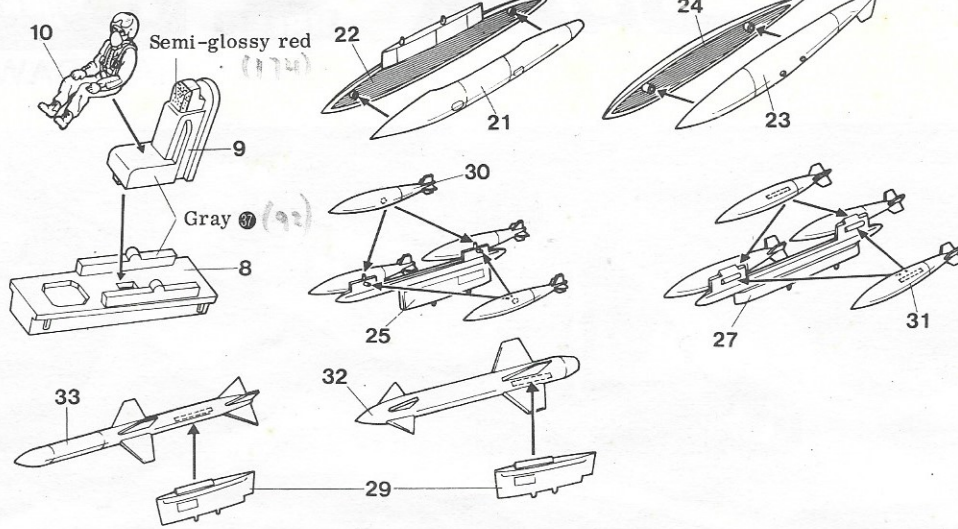
1. Cut out the decal and remove the film covering.
2. Place in water for 20 seconds.
3. Slide off the decal from the paper and position it at the proper place.
4. Press the transferred decal with a soft cloth and remove the moisture.

MODEL COLORS

- Gull gray (26440): (1)
 - White (17886): (1) or (1) + (30) semi-glossy white
- *A five-digit number shows FSC (Federal standard color) number.



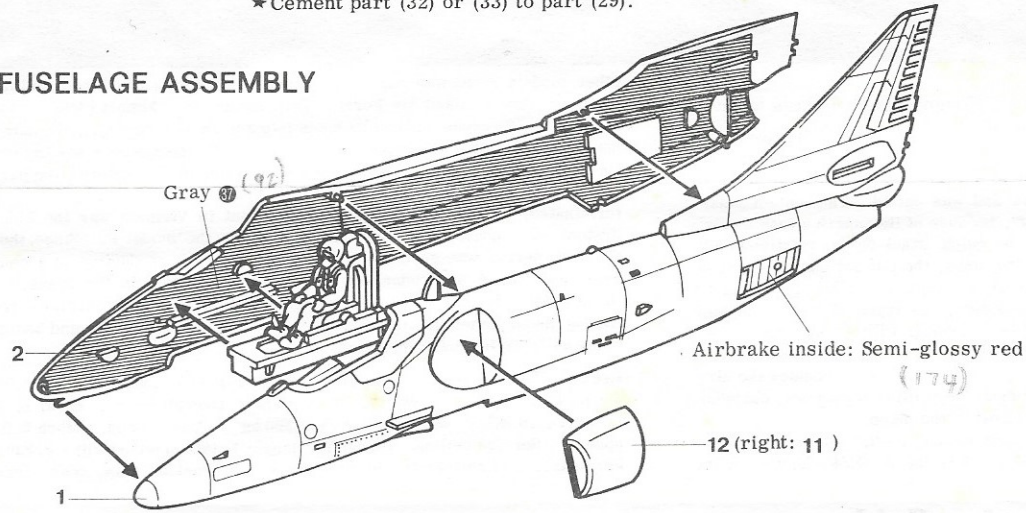
1 PARTS ASSEMBLY



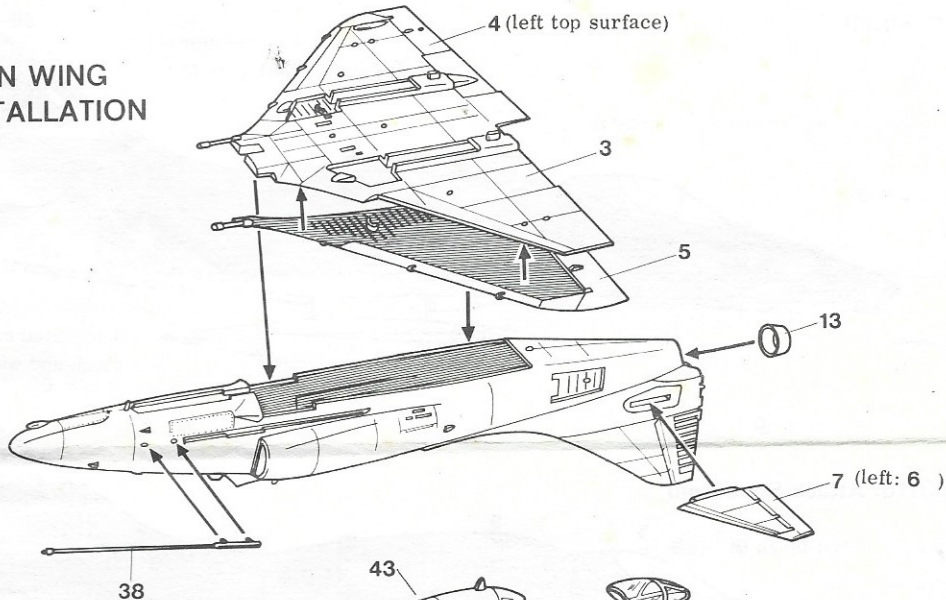
★ Make two sets.

★ Cement part (32) or (33) to part (29).

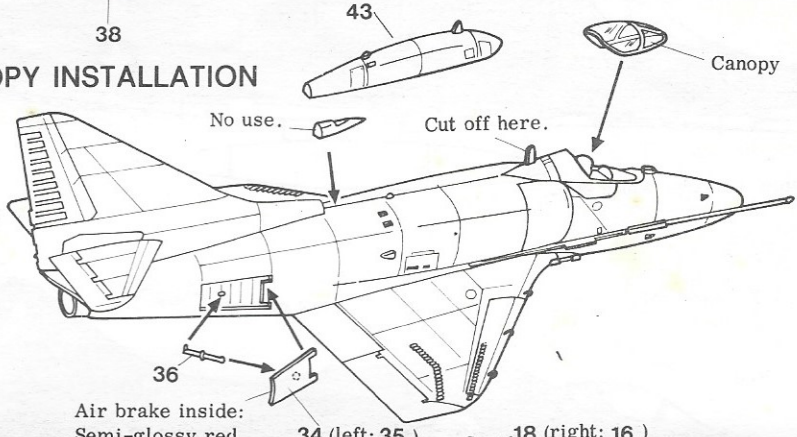
2 FUSELAGE ASSEMBLY



3 MAIN WING INSTALLATION



4 CANOPY INSTALLATION



BEFORE ASSEMBLING

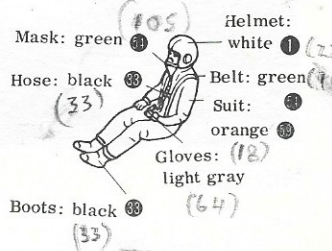
- First read all the instructions and follow them when working on the model.
- Cut off the parts from the stem with a nipper or cutter. First read all the introductions
- ★ The model colors are from ①~⑩. After the model is completed, be sure to paint it.

*After the parts are taken out, cut the bag in pieces to prevent the infant from covering it's head.

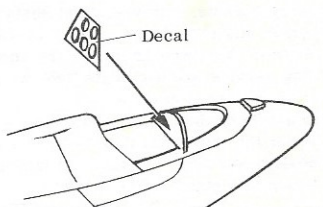
■ Drawing-1

Paint the pilot before cementing it to the seat.

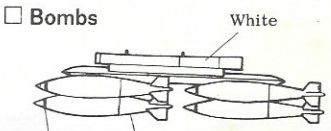
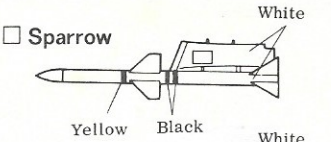
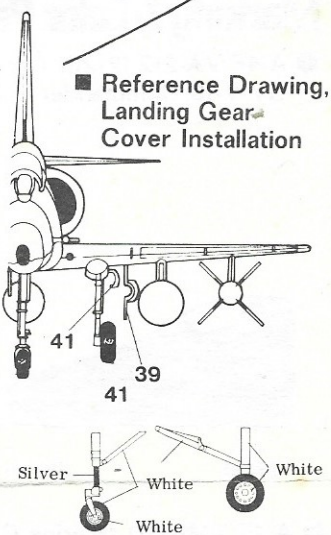
Use the light and dark gray when painting the cockpit.



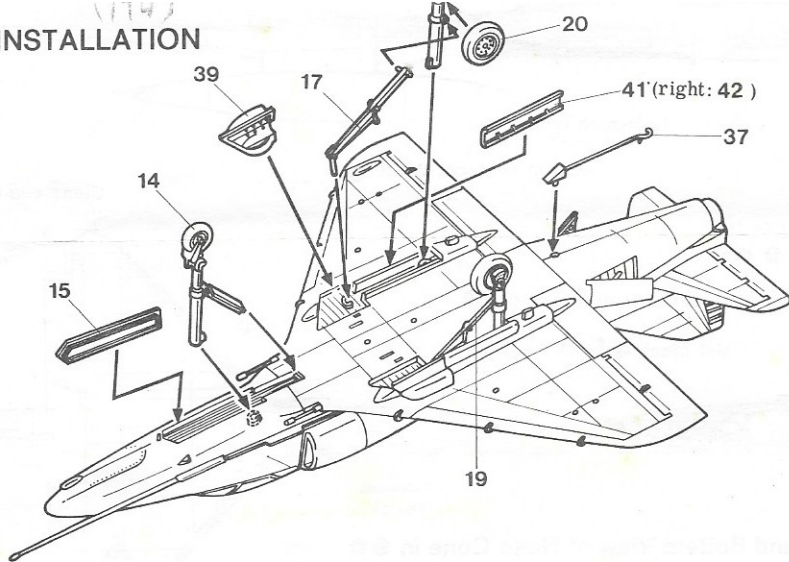
- ★ Cut and transfer the decals with a cardboard. Paint the cockpit inside in dark gray.



■ Reference Drawing, Landing Gear Cover Installation

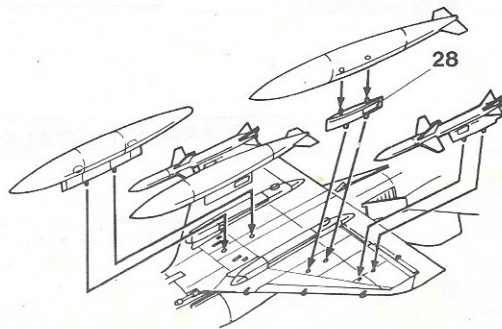
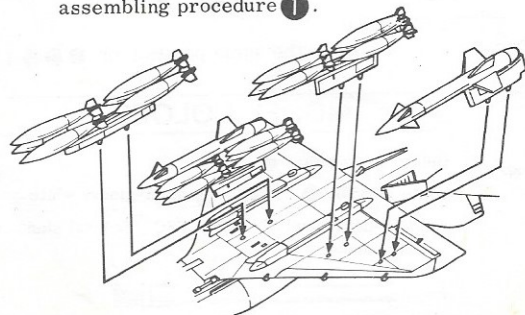


5 WHEEL INSTALLATION



6 PARTS INSTALLATION

★ Install any parts assembled in assembling procedure ①.



PARTS NUMBER & NAMES

1. Fuselage (l)
2. Fuselage (r)
3. Main wing bottom
4. Main wing top (l)
5. Main wing top (r)
6. Tail wing (l)
7. Tail wing (r)
8. Cockpit floor
9. Pilot seat
10. Pilot
11. Air intake (r)
12. Air intake (l)
13. Exhaust port
14. Front wheel
15. Front landing gear door
16. Main landing gear chassis (r)
17. Main landing gear strut (l)
18. Main landing gear chassis (l)
19. Main landing gear strut (r)
20. Main wheel
- 21-22 Central auxiliary fuel tank
- 23-24 Auxiliary fuel tank
25. Pylon (A)
26. Fuselage parts
(Early model of E)
27. Pylon (B)
28. Pylon (C)
29. Pylon (D)
30. Bomb (small)
31. Bomb (large)
32. Missile
33. Sparrow missile
34. Air brake (r)
35. Air brake (l)
36. Air brake cylinder
37. Arrester hook
38. Re-fuelling probe
39. Main landing gear door (l)
40. Main landing gear door (r)
41. Main landing gear cover (l)
42. Main landing gear cover (r)
43. Fuselage ports (Model E, F)