

# German Tank Destroyer

# MARDER III

1/72 SCALE



## SPECIFICATION

### GENERAL

CREW: 4  
BATTLE WEIGHT: 11.6 tons.  
GROUND PRESSURE: 9.8 lbs/sq. in.

KIT 8010

### DIMENSIONS

LENGTH OVERALL: 14.9 FT.  
HEIGHT: 8 FT.  
WIDTH: 6.9 FT.  
WIDTH OF TRACK: 12.25 IN.  
GROUND CLEARANCE: 16 IN.

### ARMAMENT

ONE 7.5 cm. PAK 40, CALIBER LENGTH 46.  
OEN 7.9 mm. MG. 34.

### ENGINE

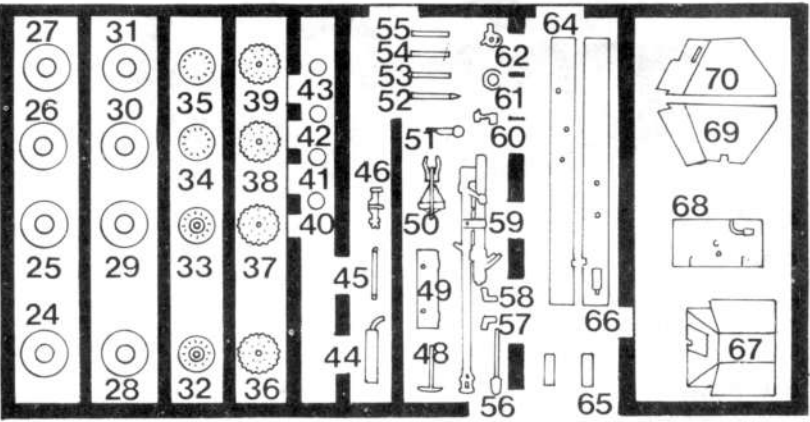
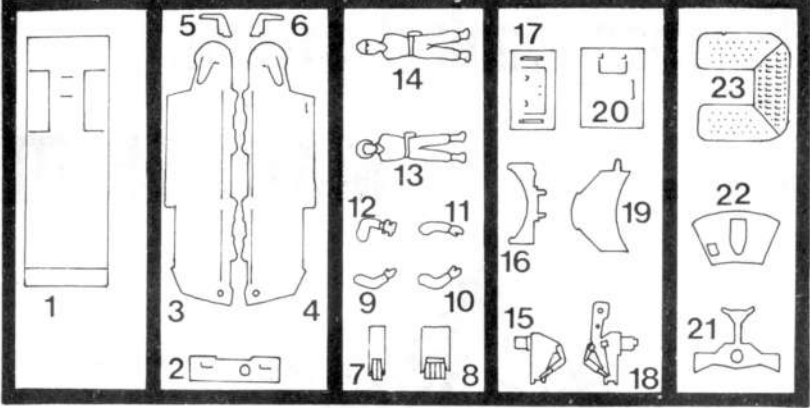
PRAGA (TYPE AC), 150 HP AT 2,600 RPM, 6 CYLINDERS,  
IN LINE, GASOLINE, LIQUID-COOLED.

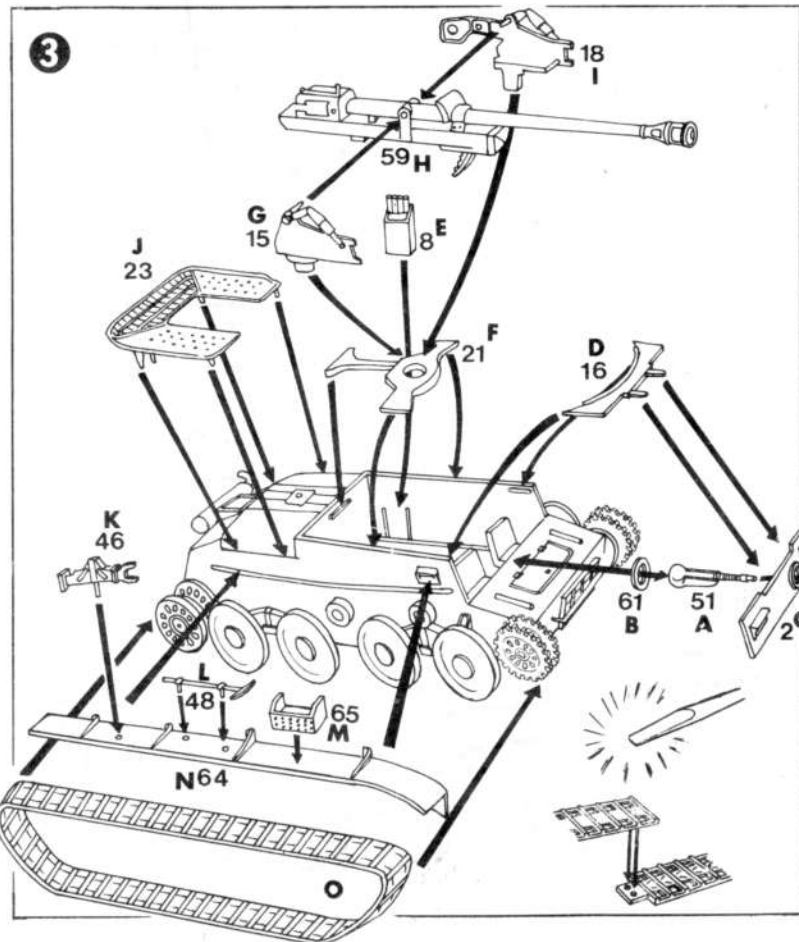
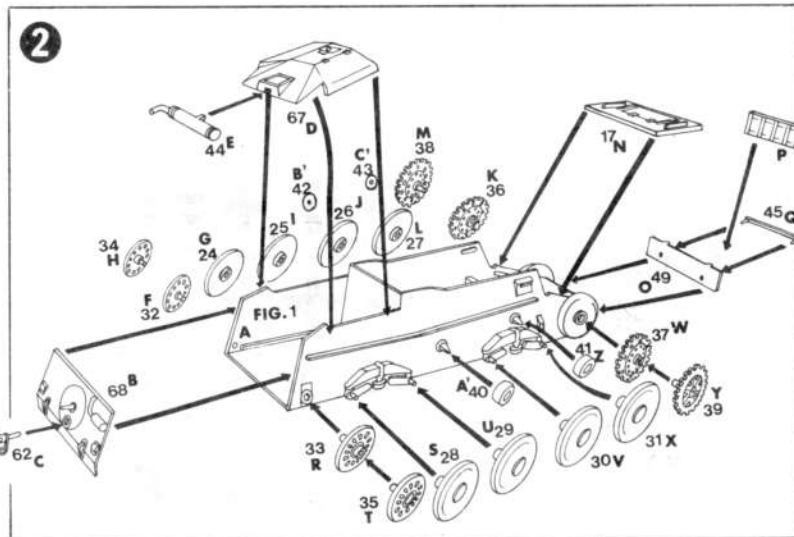
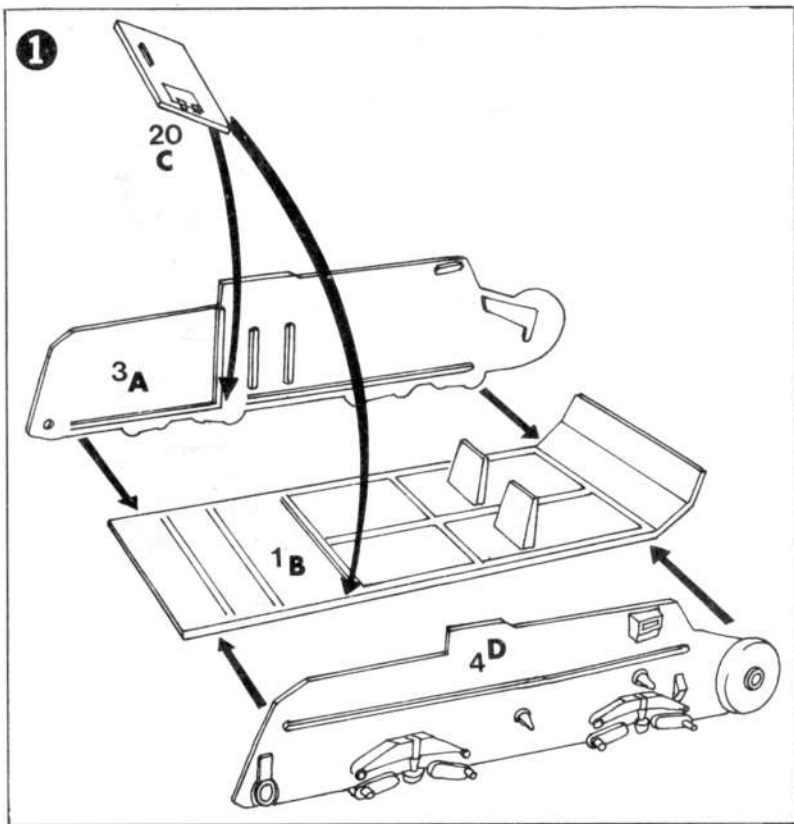
### PERFORMANCE

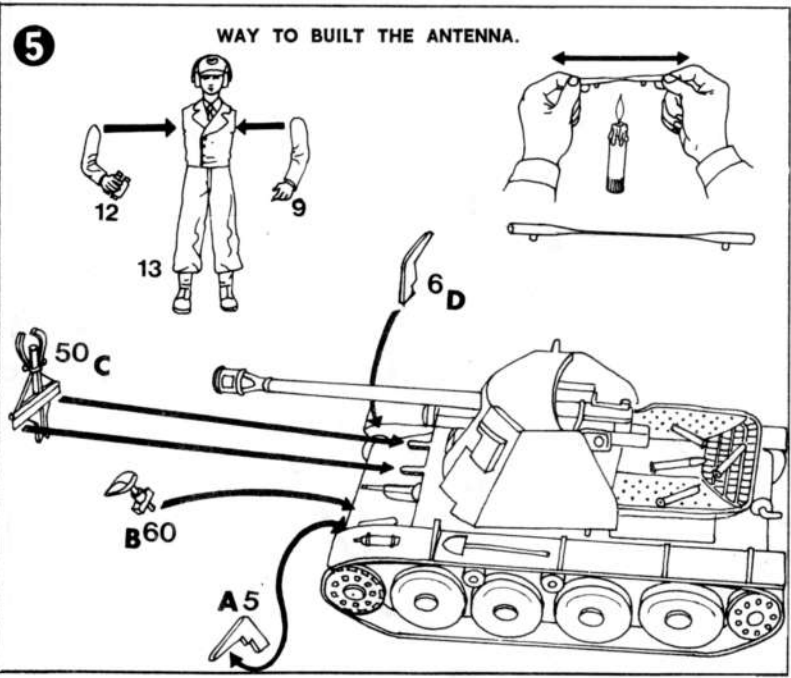
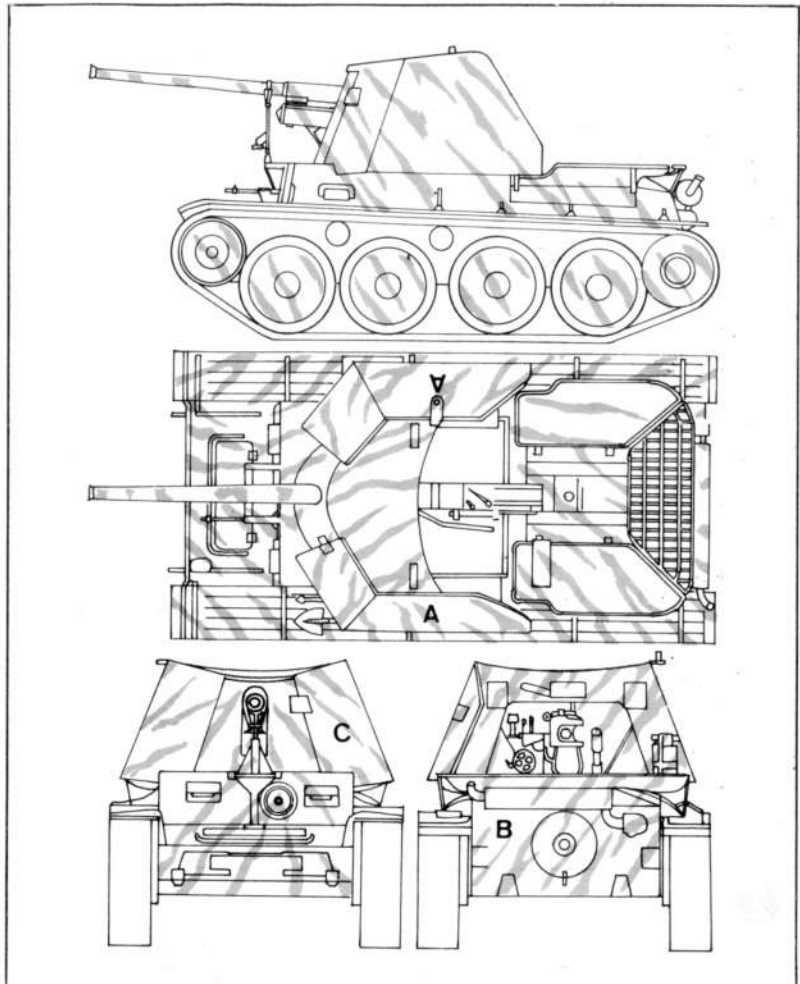
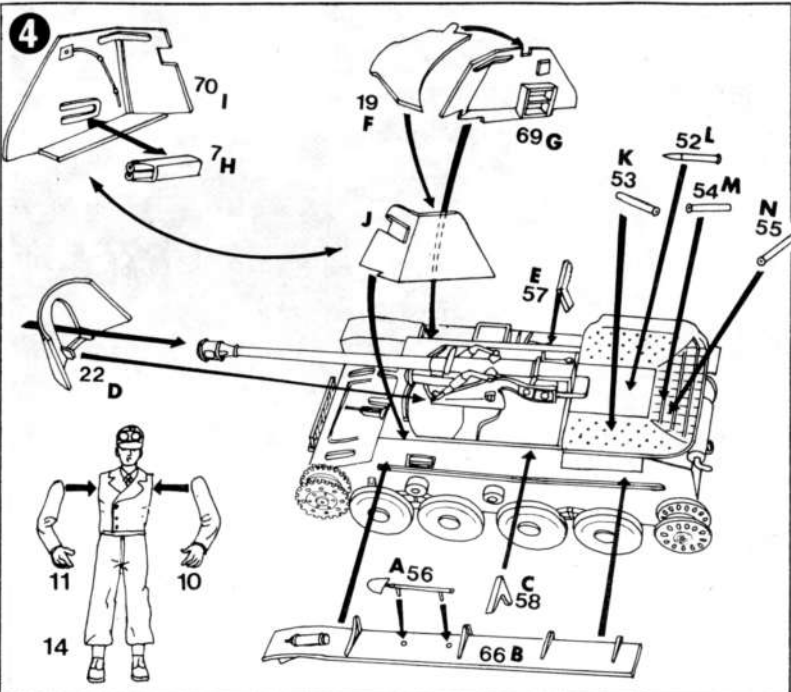
SPEED: 29 MPH. ON ROADS: 11/12 MPH.  
CROSS-COUNTRY.  
CLIMBING ABILITY: 30° (57 %) SLOPE.  
TRENCH CROSSING ABILITY: 4.3 FT.  
FORDING DEPT: 35 IN.  
FUEL CONSUMPTION: 2.1 MI/GAL. ON ROADS;  
1.5 MI/GAL. CROSS-COUNTRY.  
FUEL CAPACITY: 58 GAL.



MADE IN ITALY







MADE IN ITALY  
KIT 8010  
MARDER III

+	+	+	⊕	⊕
A	B	C		
+	+	+	⊕	⊕
A	B	C		
+	+	+	⊗	⊗
A	B	C		
+	+	+	F	F
A	B	C		