

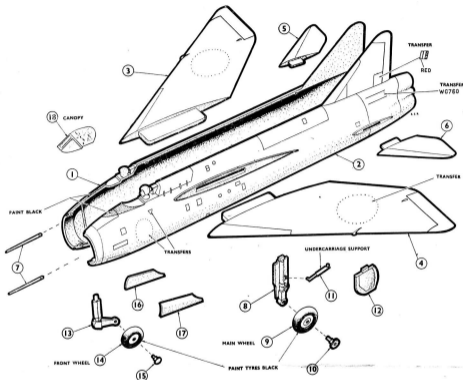
**FROG**

Registered Trade Mark

1/72nd Scale.

# English Electric P.1.

CAT. No. F.332

**PLASTIC STAND.****INSTRUCTIONS**

It is recommended that the instructions and exploded view are studied and assembly practised before commencing.

Use Frog Polystyrene Cement and Frog Paints.

It may be necessary in some cases to mix two or more colours to obtain shades required. Paint all small parts before assembly.

Great care should be taken on handling the capsules of cement to avoid getting the adhesive on the face or clothing, and in particular, in the eyes.

**ASSEMBLY INSTRUCTIONS**

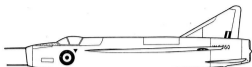
1. Apply cement to the edges of the fuselage halves (1) and (2) and press these together, using elastic bands to hold them firmly until they are set. Carefully clear off any surplus cement with a knife, which may have squeezed out.

2. Cement the wings (3) and (4) to the fuselage, with the tongues fitting into the respective slots.
3. Cement tailplane halves (5) and (6) into the slots at the rear end of the fuselage.
4. Apply a little cement to the squared ends of parts (7) and fix them into the small slots in the nose of the fuselage.
5. Next take the main undercarriage legs (8) and slide the wheels (9) onto wheel hubs (10) and cement them to the legs; then cement undercarriage supports (11) onto legs and attach the whole assembly into slots under the wings.
6. Next cement the undercarriage cover pieces (12) in place.
7. Take the nose undercarriage leg (13) and slide the wheel (14) onto the wheel hub (15) and cement this to the leg; then cement the assembly into the hole in the fuselage. Cement nose undercarriage covers (16) and (17) in place.
8. Paint the cockpit interior black or light green, the pilot's helmet white. Then cement the clear canopy (18) into place.

This completes the construction.

**PAINTING AND FINISHING.**

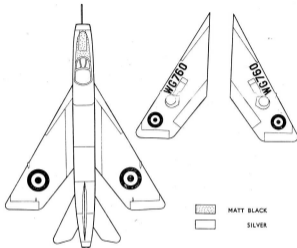
9. The model is left the natural silver finish, with details such as tyres and cabin touched in with black paint.  
Use Frog Plastic Enamels, and apply one or two coats evenly with a soft brush. Cellulose paints attack the surface of Polystyrene and leave a slightly crackled finish.
10. Affix the transfers in place following the instructions on the back. Separate each part first, and apply the large letters and numbers to the underside of the wing, as indicated in the sketch.
11. **STAND.** Clip the upright pillar to the base by hooking the rear end of the tongue in the slot first, and apply a little cement to the underside to avoid marking the top. Affix the transfer in position in the space provided. The top end of the stand fits into the slot in the fuselage.



### HISTORY OF THE ENGLISH ELECTRIC P.1.

The English Electric P.1. was designed as a single seat all-weather fighter and was the R.A.F.'s first supersonic fighter. An unusual feature of this aircraft is that its two engines are mounted one above the other in the tail. The P.1. has become famous at Farnborough for spectacular demonstrations.

### SOME OF THE OTHER EXCITING FROG KITS TO ADD TO YOUR COLLECTION \*



### NEW FROG BOX CONVERTS INTO WORKING TRAY



#### 1/72nd SCALE AIRCRAFT

Percival Proctor IV. (Gold Tokens)  
 Hawker Sea Fury X. (Gold Tokens)  
 Miles Magister (Gold Tokens)  
 Miles Master III. (Gold Tokens)  
 Fokker D.21 (Gold Tokens)  
 Dewoitine DS20C. (Gold Tokens)  
 Morane Saulnier 406 (Gold Tokens)  
 Macchi C202 (Gold Tokens)  
 Curtis Kittyhawk (Gold Tokens)  
 Fokke Wulf FW.190 (Gold Tokens)  
 Hawker Typhoon (Gold Tokens)  
 Republic Thunderbolt. (Gold Tokens)  
 Supermarine Spitfire II. (Gold Tokens)  
 Mitsubishi Zero (Gold Tokens)  
 Supermarine 56B. (Trail Blazer)  
 (Gold Tokens)  
 North American Sabre (Gold Tokens)  
 Bristol Beaufort II. (Gold Tokens)  
 Westland Wessex I. (Gold Tokens)  
 Airspeed Oxford II. (Gold Tokens)  
 Fairey Barracuda (Gold Tokens)  
 Spirit of St. Louis (Trail Blazer)  
 (Gold Tokens)  
 Blackburn Skua (Gold Tokens)  
 Westland Walrus (Trail Blazer)  
 (Gold Tokens)

#### D.H. Comet 88 (Trail Blazer)

(Gold Tokens)  
 G.A. Hotspr II. (Gold Tokens)  
 Hawker Hunter (Gold Tokens)  
 Fairey Delta (Gold Tokens)  
 Vickers Supermarine Attacker  
 (Gold Tokens)  
 Fairey Gannet (Gold Tokens)  
 De Havilland D.H.110 (Gold Tokens)  
 Hawker Sea Hawk (Gold Tokens)  
 English Electric P.1 (Gold Tokens)  
 Martin Baltimore (Gold Tokens)  
 Douglas Boston III. (DB7B)  
 (Gold Tokens)  
 Junkers J.U.88 (Gold Tokens)  
 Gloster Javelin (Gold Tokens)  
 English Electric Canberra PR7  
 (Gold Tokens)  
 North American Sabre (Gold Tokens)  
 Martin Marauder II. (Gold Tokens)  
 North American Mitchell  
 (Gold Tokens)  
 Vickers Vimy (Trail Blazer)  
 (Gold Tokens)  
 Handley Page Dart Herald  
 Blarrie XI. (Gold Tokens)  
 Black Widow (Gold Tokens)

#### 1/96th SCALE AIRCRAFT :

Avro Lancaster (Gold Tokens)  
 BEA Vickers Viscount 800  
 De Havilland Comet  
 Avro Vulcan  
 Vickers Valiant  
 Handley Page Victor  
 Air France Caravelle  
 Bristol Britannia 100  
**1/144th SCALE AIRCRAFT :**  
 Special New Super Kit.  
 B.O.A.C. Super V.C.10  
 with flashing lights  
 B.O.A.C. Boeing 707  
**1/500th SCALE SHIPS :**  
 H.M.S. Hero  
 H.M.S. Ashanti  
 H.M.S. Torquay  
 H.M.S. Undine  
 H.M.S. Revenge (Gold Tokens)  
 H.M.S. Exeter (Gold Tokens)

#### OTHER SCALE SHIPS :

Shell Coastal Tanker  
 Trinity House Lightship  
 H.M.S. Tiger, Cruiser  
 Battle Class Destroyer

\* PRICES ARE U.K. ONLY FROM 2/- to 19/11.



GET YOUR FROG STORY-BOOK CATALOGUE AND ALBUM FROM YOUR FROG DEALER NOW!  
Collect all the picture transfer cards in the "Trail Blazers" kits in order to complete your Album.

### SAVE GOLD TOKENS FOR EXCITING FREE GIFTS!

Here are 7 FROG GOLD TOKENS for you to collect for the wonderful free gifts. Every time you buy a FROG Construction Kit with a GOLD TOKEN on the box you will find FROG GOLD TOKENS inside which are worth exciting free gifts to you. Save your FROG GOLD TOKENS. Look out for other FROG Construction Kits with GOLD TOKENS inside. They are fun and easy to collect and when you have enough you can send for any of these free gifts —

Two FROG "Chuck" Gliders. Balsa construction. Stunt and fly like a real plane ... 15 tokens.  
 Book of "Record-Breakers". 32 pages of full colour showing records and pictures of land, air and water record breakers ... 30 tokens.  
 FROG Junior Sail Plane Kit. 20" semi-scale Glider. Balsa wood and tissue construction. All shaped parts pre-cut. Outstanding flying characteristics ... 45 tokens.

### ALL YOU HAVE TO DO.

Just cut out and save your FROG GOLD TOKENS on this leaflet. When you have collected enough for the free gifts you want, send them with your name and address together with a 3d. stamp, to help with the postage of your gifts to —

GOLD TOKEN (DEPARTMENT F), LONDON, N.W.1.

Due to the cost of postage and duty the FROG GOLD TOKEN GIFT SCHEME has to be confined to the United Kingdom Only.