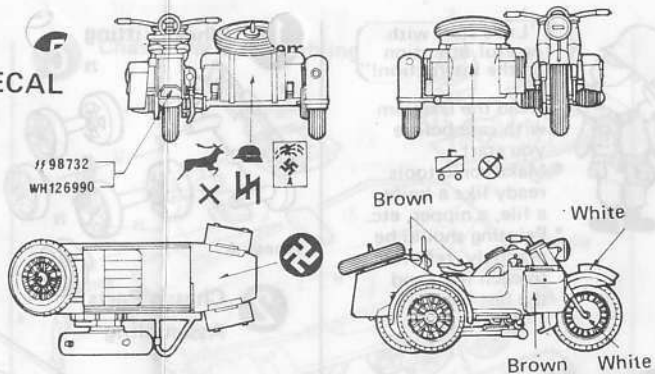


**B.M.W. SIDECAR:  
PAINTING & DECAL**

Paint on Body in  
Field gray or Dark  
yellow.



**1/76 GERMAN MILITARY SERIES**



PANTHER-G



TIGER-I



JAGDPANTHER



GERMAN 105mm GUN



HANOMAG Sdkfz 250/10



PANZER III Ausf M/N



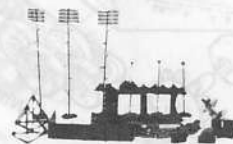
KUBEL WAGEN



SCHWIMM WAGEN



HOUSE & LOOK-OUT



FIELD ACCESSORIES



**5**  
1/76 SERIES

**GERMAN  
HANOMAG Sdkfz 250/10  
WITH B.M.W SIDECAR AND 6 SOLDIERS**



1/76 SERIES NO.5 GERMAN HANOMAG Sdkfz 250/10 ALL PLASTIC MODEL EASY TO ASSEMBLY KIT

**DIAGRAM**



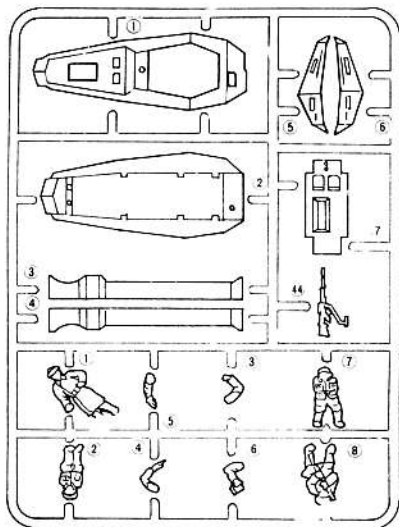
**NOTE:** After taking the contents out, tear and throw the empty bags away, so that little children not play with.



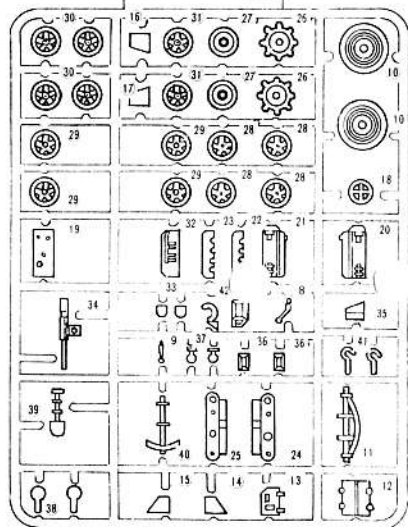
**NITTO KAGAKU CO., LTD.**

3-24-20 CHUO EDOGAWA-KU TOKYO 132 JAPAN

## HALF-TRACK

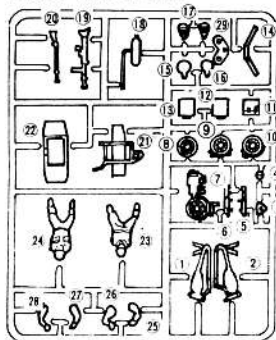


## HALF-TRACK



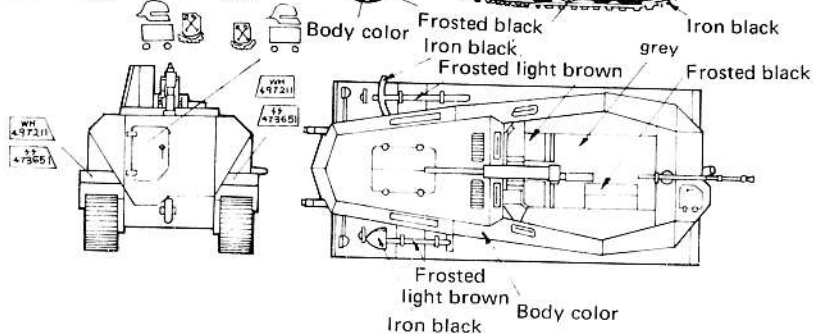
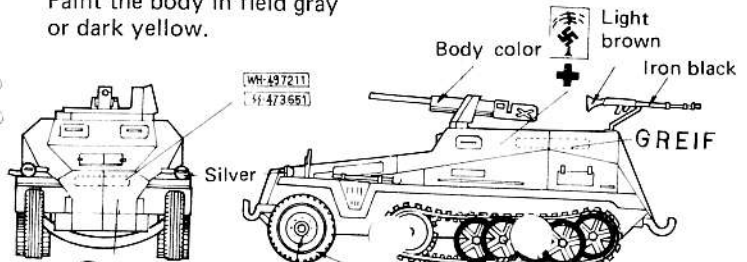
Caterpillars

## BMW SIDECAR



### Painting and Marking for HALF-TRACK, Sdkfz MODEL 250/10

Paint the body in field gray  
or dark yellow.



"Let's start with careful attention to the instruction!"

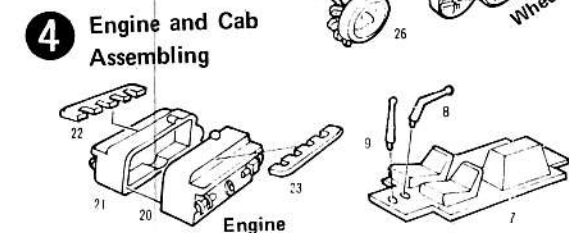
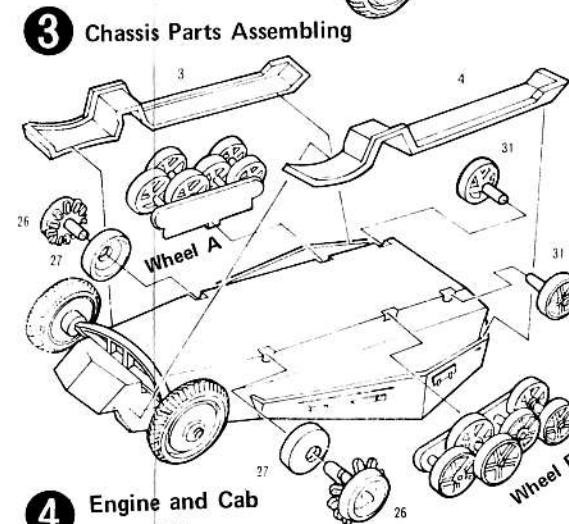
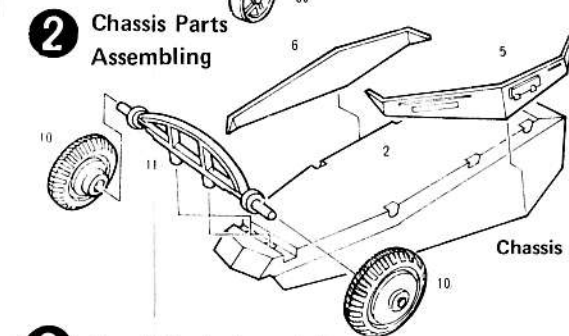
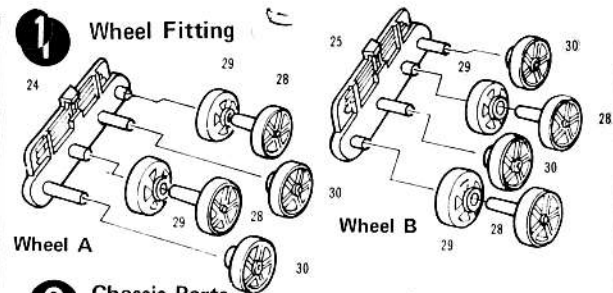
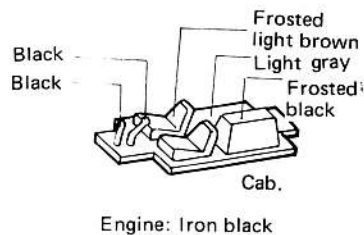
- Read the Diagram with care before you start.
- Make some tools ready like a knife, a file, a nipper, etc.
- Painting should be precisely, referred to each item and the last page.

**1** First cement 24 with 29 then with 30 and 28. Cement 25 in the same way.

**2** Cement 2 with 5 and 6. Cement 10 with 11, then 2 with 11.

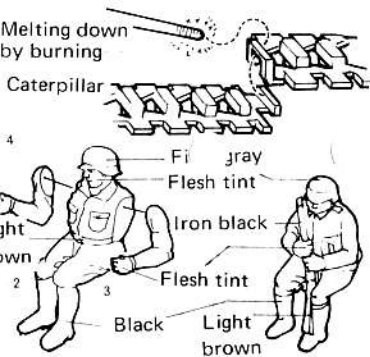
**3** Cement 26 with 27, then to the chassis. Cement 31, wheel A, B, 3, 4 to the chassis.

**4** Cement 9, 8 to 7, then cement 20, 21, 22 and 23 respectively.



- 5** Set the **V**. caterpillar to the wheel.

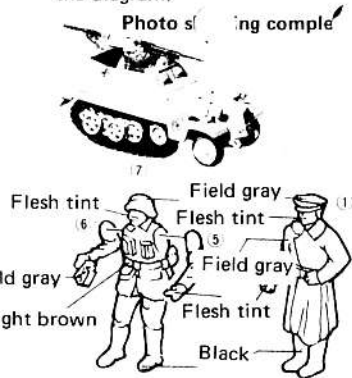
Fit the chassis with parts.  
(Cement chassis with **16**,  
**17**, then with **14**, **15**.)



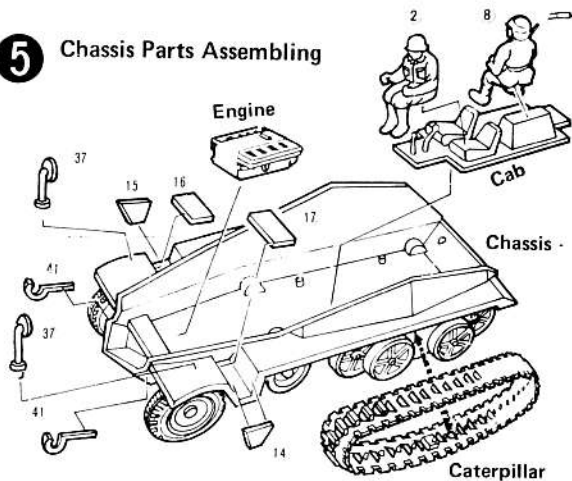
- 6** Cement **18** with **19**  
Cement dash board, **19**,  
**13**, with **1** Cement **1**,  
**42**, **43** to chassis.

- 7** Insert **33** into **34**, then  
cement **33**, **35** with **32**  
Cement all parts as shown in  
the diagram.

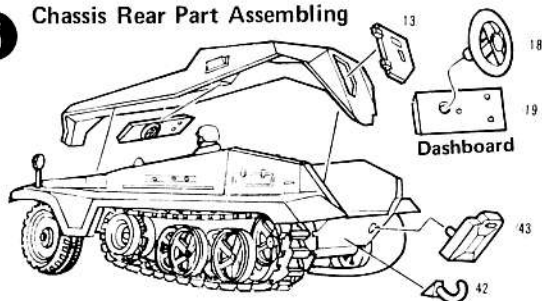
Photo signing complete



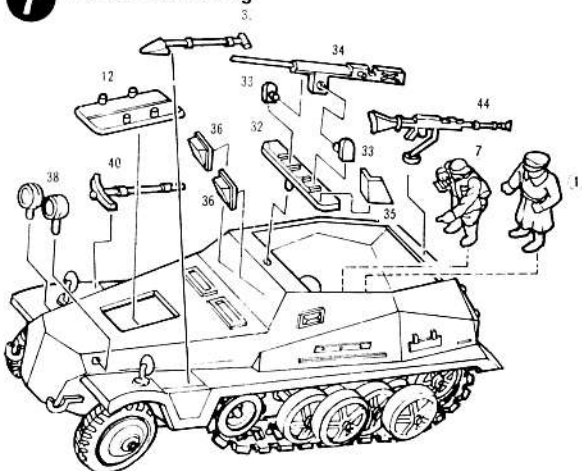
## 5 Chassis Parts Assembling



## 6 Chassis Rear Part Assembling



## 7 Parts Assembling

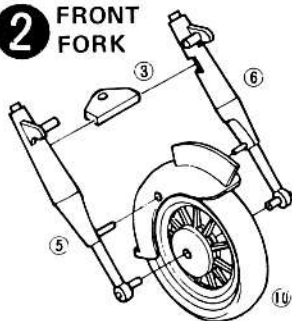


# [ L. M. W. SIDECAR ]

**1** Put **17**, **1**, **2**, **11**, **13**, and **16** on **7** together with glue, and do **18** last.

**2** Set up **3**, **5**, **6** and **10** together, as illustrate shown.

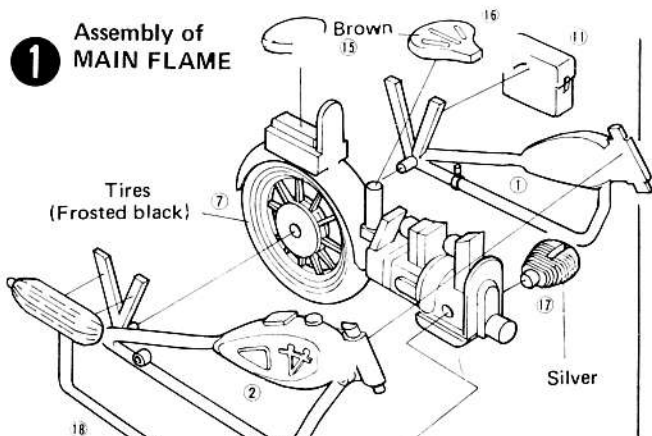
## 2 FRONT FORK



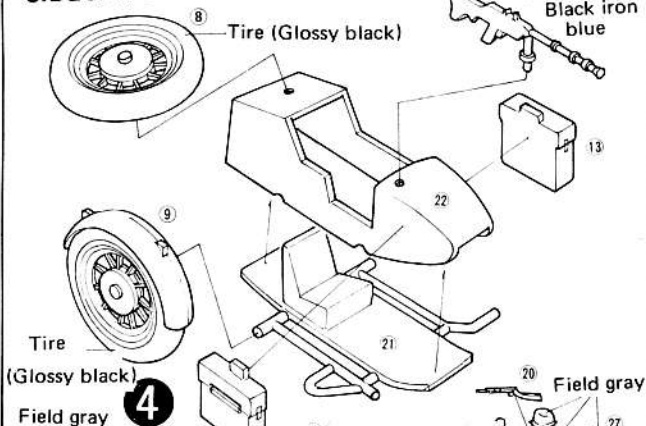
**3** Set up the parts; **8**, **9**, **12**, **13**, **19**, **21** and **22** as the illustrated.

**4** Fix the Sidecar and the Main Frame of Motor Bicycle together as the illustrate. Set the Front Fork on the Main Frame and **29**. Making a Soldier consists of **23**, **25** and **26**, then place it in the Sidecar with glue. Making a Driver consists of **24**, **27**, **28** and **20**, then place it on the Motor Bicycle with glue. Fix **14** and **4** on the Front Fork with glue.

## 1 Assembly of MAIN FLAME



## 3 SIDECAR BODY



## 4

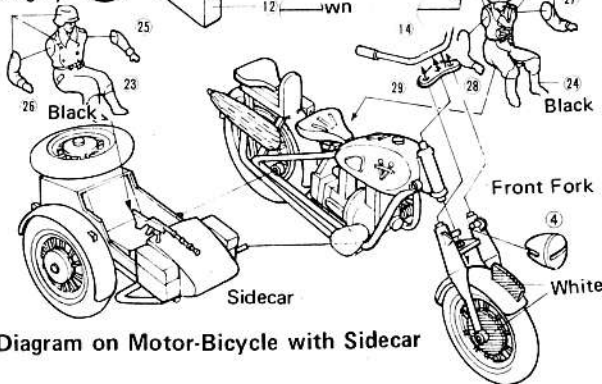


Diagram on Motor-Bicycle with Sidecar