

140mm Field Cannon (5.5")



History: During the early years of World War 2, plans were released for the manufacture of the 5.5 inch Field Cannon which started rolling off the assembly line two years later in 1941. These new era cannons were deployed extensively during the European and North African campaigns by the English and French forces. After the war, numerous batteries were sent to equip Canadian, Australian, South African, Polish, New Zealand and Indian regiments. Each regiment normally consisted of two batteries of 16 cannons each.

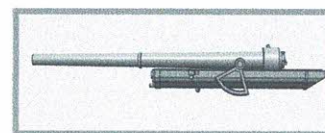
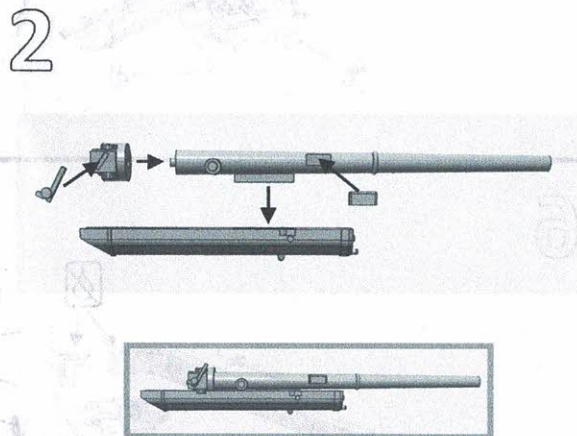
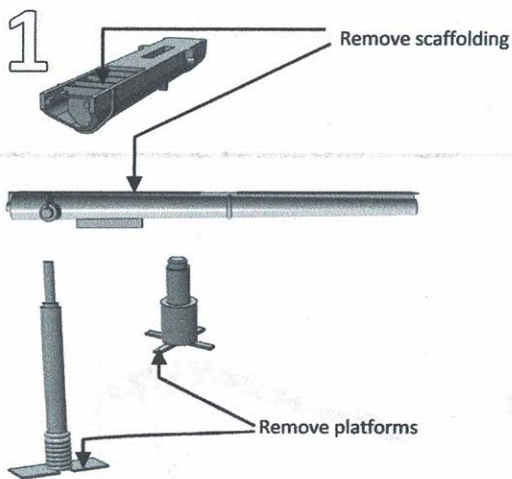
The South African Defence Force used the 5.5 extensively in the early stages of the South African Border War and was commonly referred to as the G2. The 5.5 inch cannon, which was manufactured exclusively in Britain, was used by the British Territorial army. From 1980 onwards, these cannons were gradually withdrawn from service only to be replaced by the FH-70 155 mm Howitzer.

Note:

- As this model was printed using a 3D printer, it will be required clean up each part with either a fine file or fine sandpaper.
- Platforms for anchoring parts as well as scaffolding, used to prevent roof sag during printing, will need to be cut away. Scaffolding locations are shown within the assembly instructions.
- It is recommended that the model parts be glued together using rapid setting Epoxy glue.
- Model parts which are not be glued together are identified by using the following symbol:



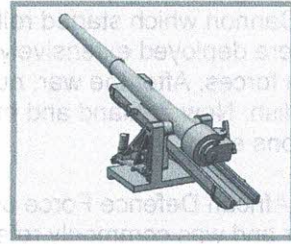
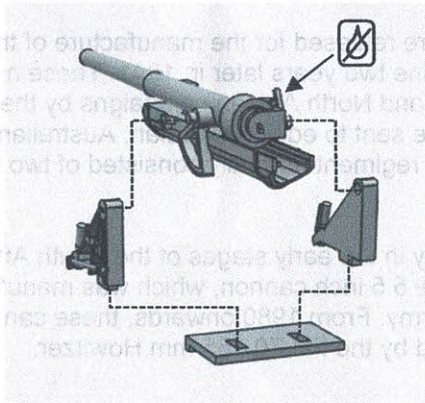
Assembly Instructions:



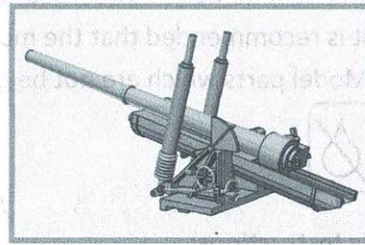
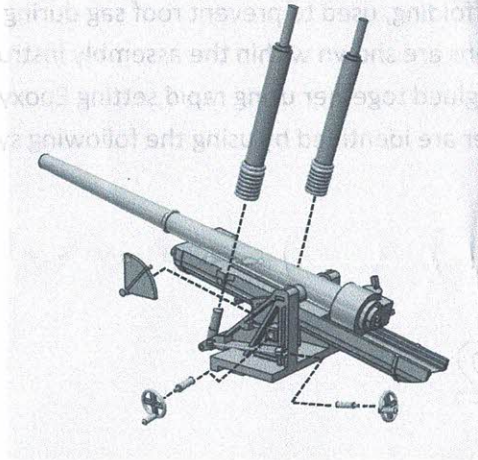


140mm Field Cannon (5.7)

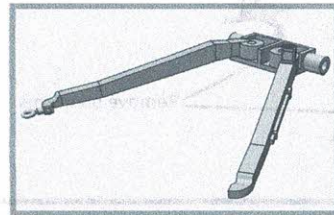
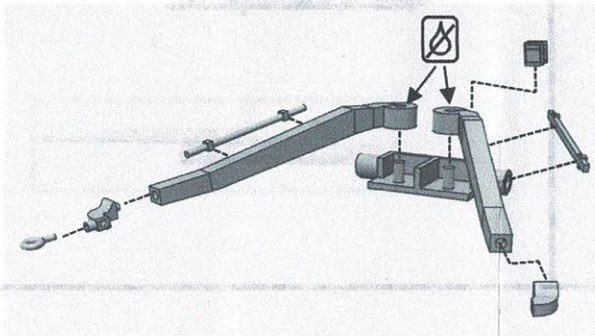
4



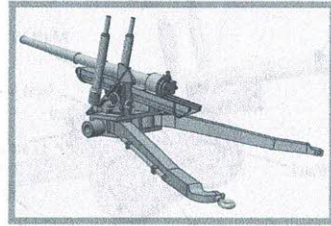
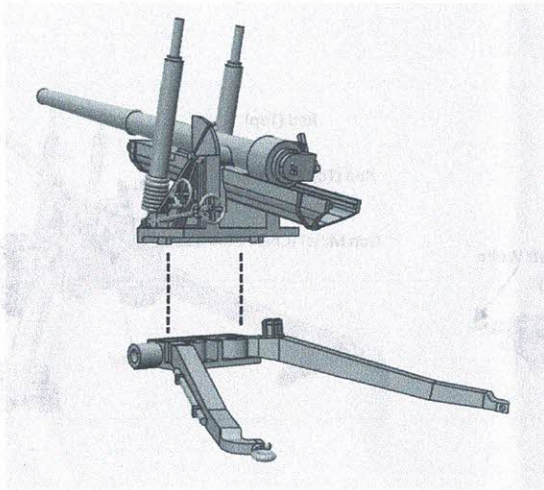
5



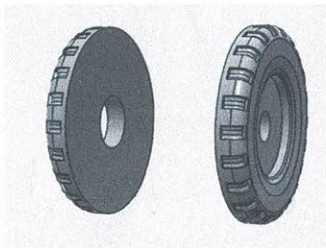
6



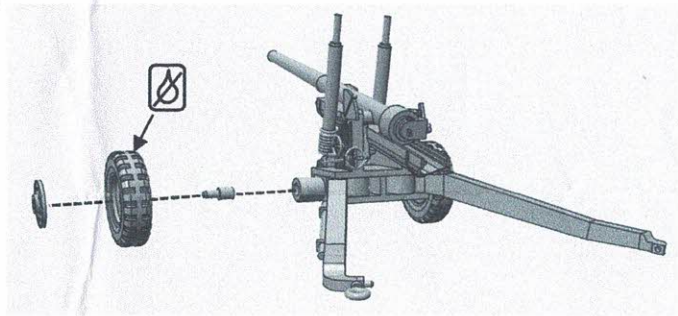
7



8



9



10

