

EagleCals  
EC#180

1/72  1/48  1/32

eagle  
EDITIONS LTD.

# Fw 190 A-5s



"Black 21" Stabsstaffel JG 51



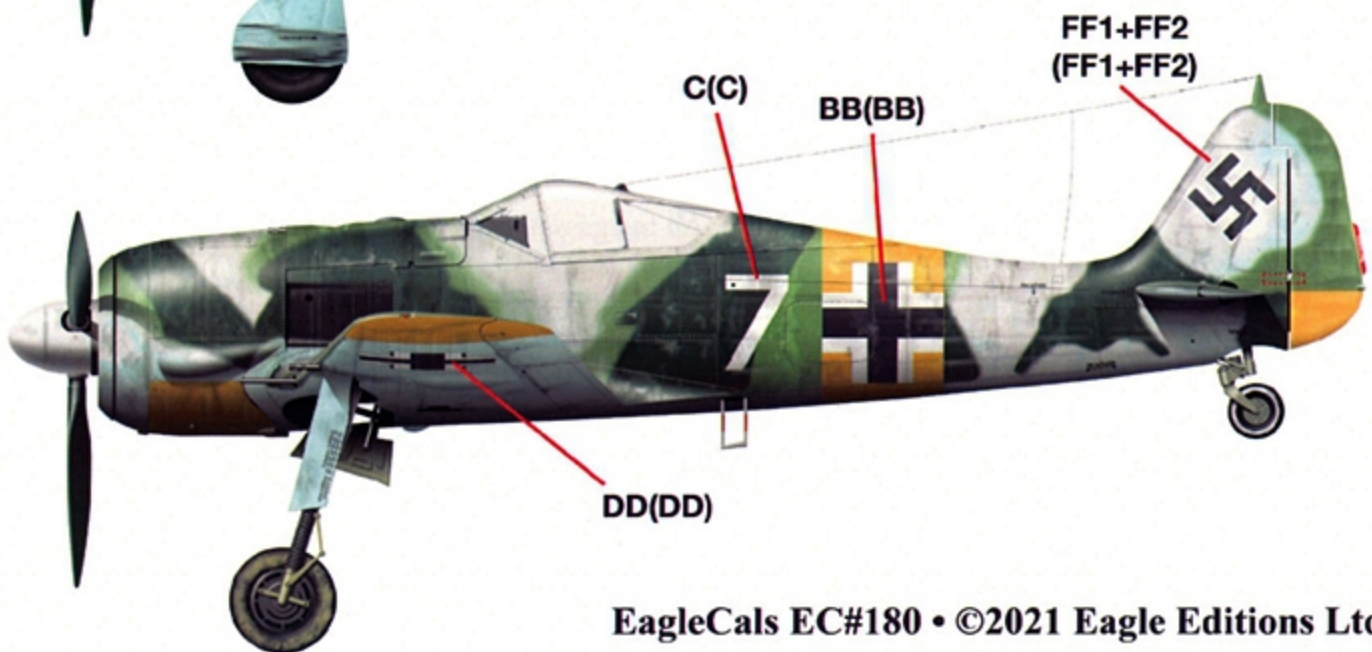
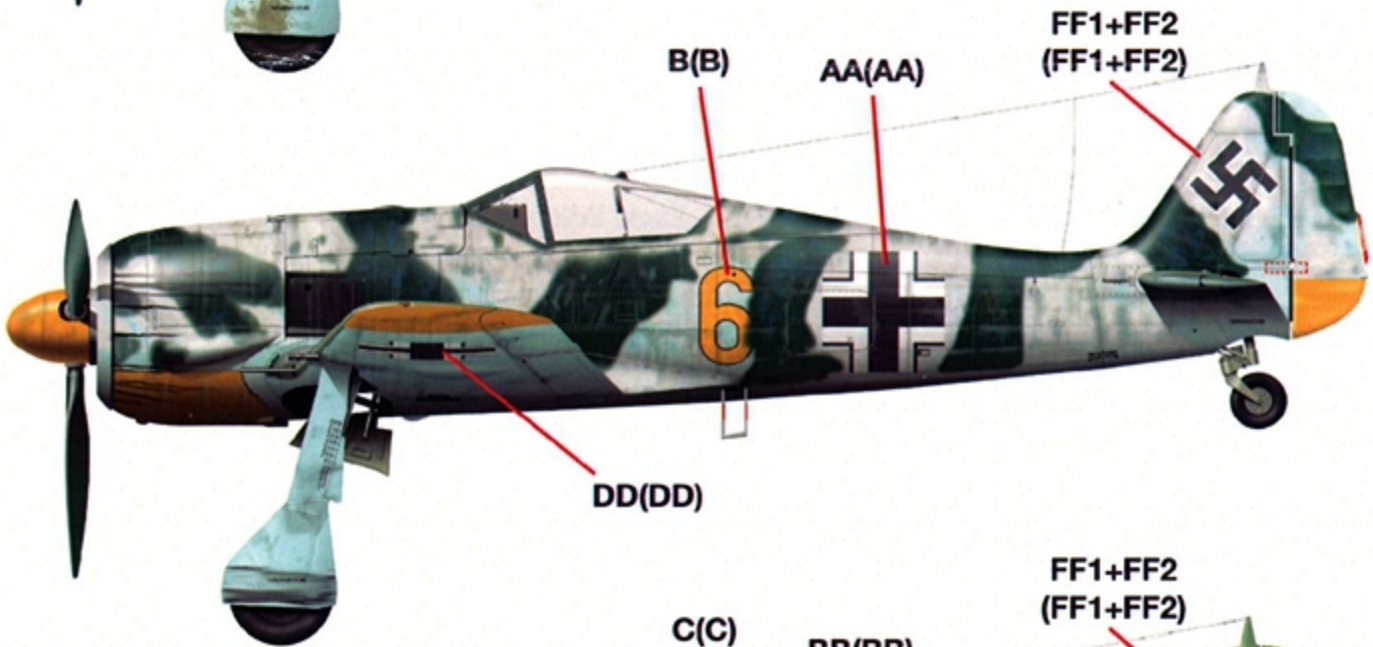
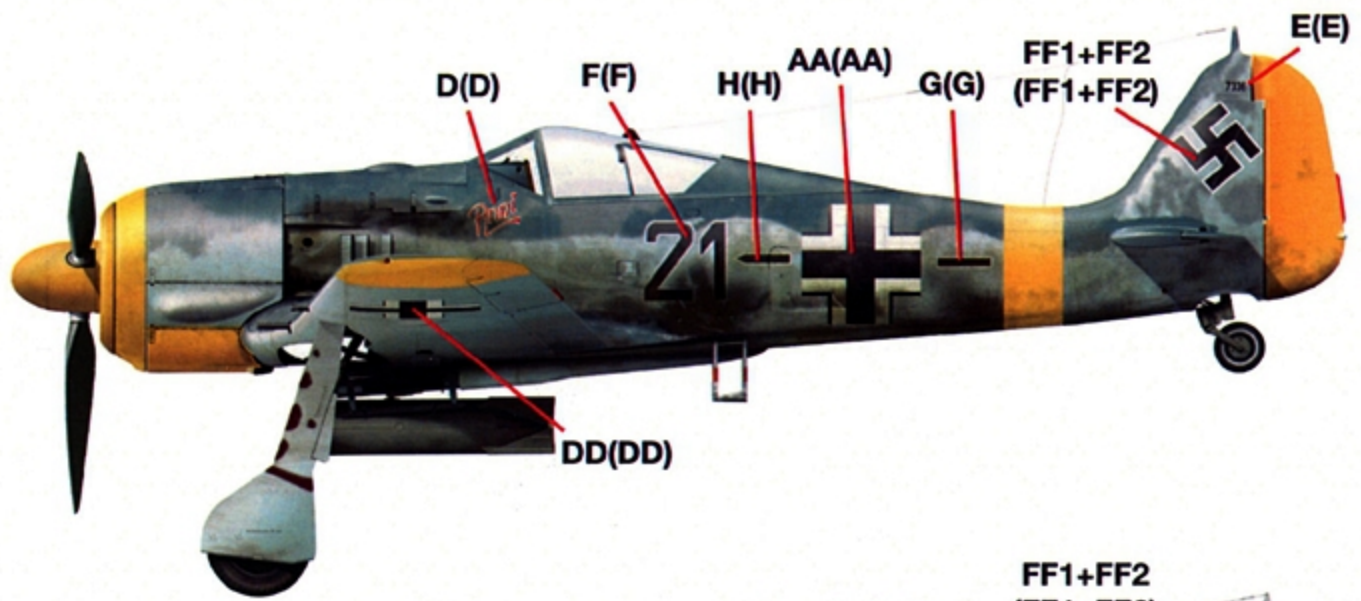
"Yellow 5" 3./JG 26 Oblt. Rolf Hermichen  
Early Spring 1943 Rielbitzi, Russia



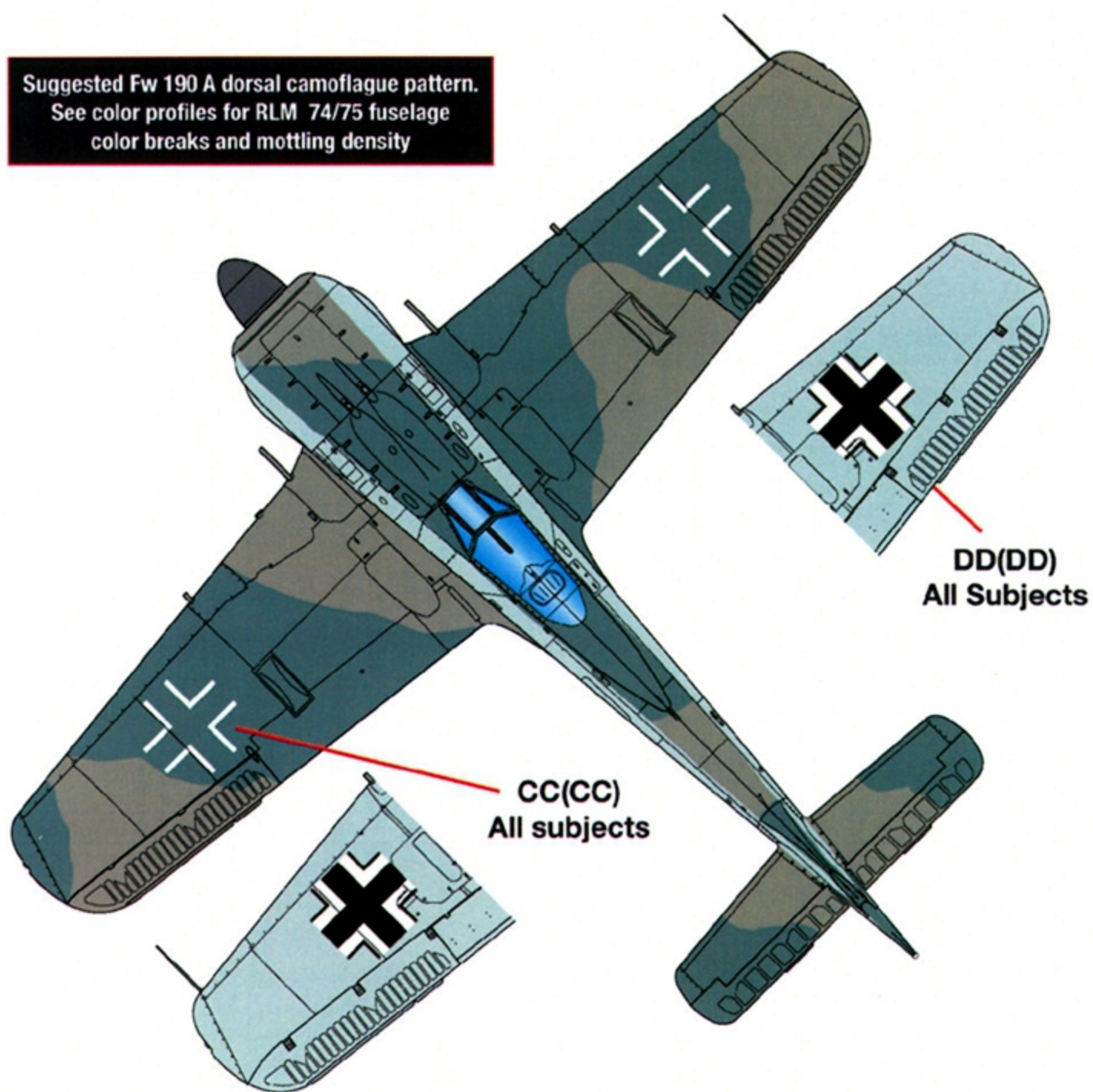
"Yellow 6" 3./JG 26  
Late Winter 1943 Rielbitzi, Russia



"White 7" 1./JG 26  
Late Winter 1943 Rielbitzi, Russia



Suggested Fw 190 A dorsal camouflage pattern.  
See color profiles for RLM 74/75 fuselage  
color breaks and mottling density



# EagleCals #180

# Fw 190 A-5s

---

**Fw 190 A-5 "Black 21" W.Nr. 7336 Pilot: Unknown Stabsstaffel JG 51 Date/Location Unk**

**Notable features:** No support wires in canopy; ETC 501 rack

**Colors:** Upper Surfaces: RLM 75 Gray-Violet/ RLM 74 Gray-Green; Yellow under cowl, cowl rings, rudder, fuselage band and under wing tips

Under Surfaces: RLM 76 Light Blue; note Red primer spots on landing gear door bolts

Prop & Spinner: RLM 70 Black-Green; spinner: RLM 04 Yellow

**National Insignia:** Wings: Upper 910 mm crosses; Lower: 900 mm crosses

Fuselage: 800 mm crosses; 420 mm *Hakenkreuz*

**Stencilling:** Factory standard; W.Nr. 7336 on top of fin; name 'Anni' in Red under wind screen

**References:** *Fighters of the Iron Cross*, Jerry Crandall 2021, Eagle Editions Ltd. LLC

---

**Fw 190 A-5 "Yellow 5" W.Nr. Unknown Pilot: Oblt. Rolf Hermichen 3/JG 26 Spring 1943, Russia**

**Colors:** Upper Surfaces: RLM 70 Black-Green/RLM 71 Dark Green over weathered winter White camouflage

Black exhaust panel

Under Surfaces: RLM 76 Light Blue

Prop & Spinner: RLM 70 Black-Green; spinner: RLM 04 Yellow

**National Insignia:** Wings: Upper 910 mm crosses; Lower: 900 mm crosses

Fuselage: 800 mm crosses; 420 mm *Hakenkreuz*

**Stencilling:** Factory standard

**References:** *Fighters of the Iron Cross*, Jerry Crandall 2021, Eagle Editions Ltd. LLC

---

**Fw 190 A-5 "Yellow 6" W.Nr. Unknown Pilot: Unknown 3/JG 26 Winter 1943 Rielbitzi, Russia**

**Colors:** Upper Surfaces: RLM 70 Black-Green segments over weathered White winter camouflage

RLM 04 Yellow under cowling, cowl ring, spinner, under wing tips and lower portion of rudder

Black exhaust panel

Under Surfaces: RLM 76 Light Blue

Prop & Spinner: RLM 70 Black-Green; spinner: RLM 04 Yellow

**National Insignia:** Wings: Upper 910 mm crosses; Lower: 900 mm crosses

Fuselage: 800 mm crosses; 420 mm *Hakenkreuz*

**Stencilling:** Factory standard over painted; Note heavy oil streaks on engine cowling; Yellow '6' partially over sprayed with RLM 70 Black-Green

**References:** *Fighters of the Iron Cross*, Jerry Crandall 2021, Eagle Editions Ltd. LLC

---

**Fw 190 A-5 "White 7" W.Nr. Unknown Pilot: Unknown 1/JG 26 Winter 1943 Rielbitzi, Russia**

**Notable features:** Lower portion of landing gear door removed to avoid mud clogging the wheels

**Colors:** Upper Surfaces: Undocumented Medium Green and RLM 70 Black-Green segments over weathered White winter camouflage; Black exhaust panel

Under Surfaces: RLM 76 Light Blue

Prop & Spinner: RLM 70 Black-Green; Spinner: White

**National Insignia:** Wings: Upper 910 mm crosses; Lower: 900 mm crosses

Fuselage: 800 mm crosses; 420 mm *Hakenkreuz*

**Stencilling:** Factory standard overpainted

**References:** *Fighters of the Iron Cross*, Jerry Crandall 2021, Eagle Editions Ltd. LLC

---

© 2021 Eagle Editions Ltd. All images/photos copyrighted by

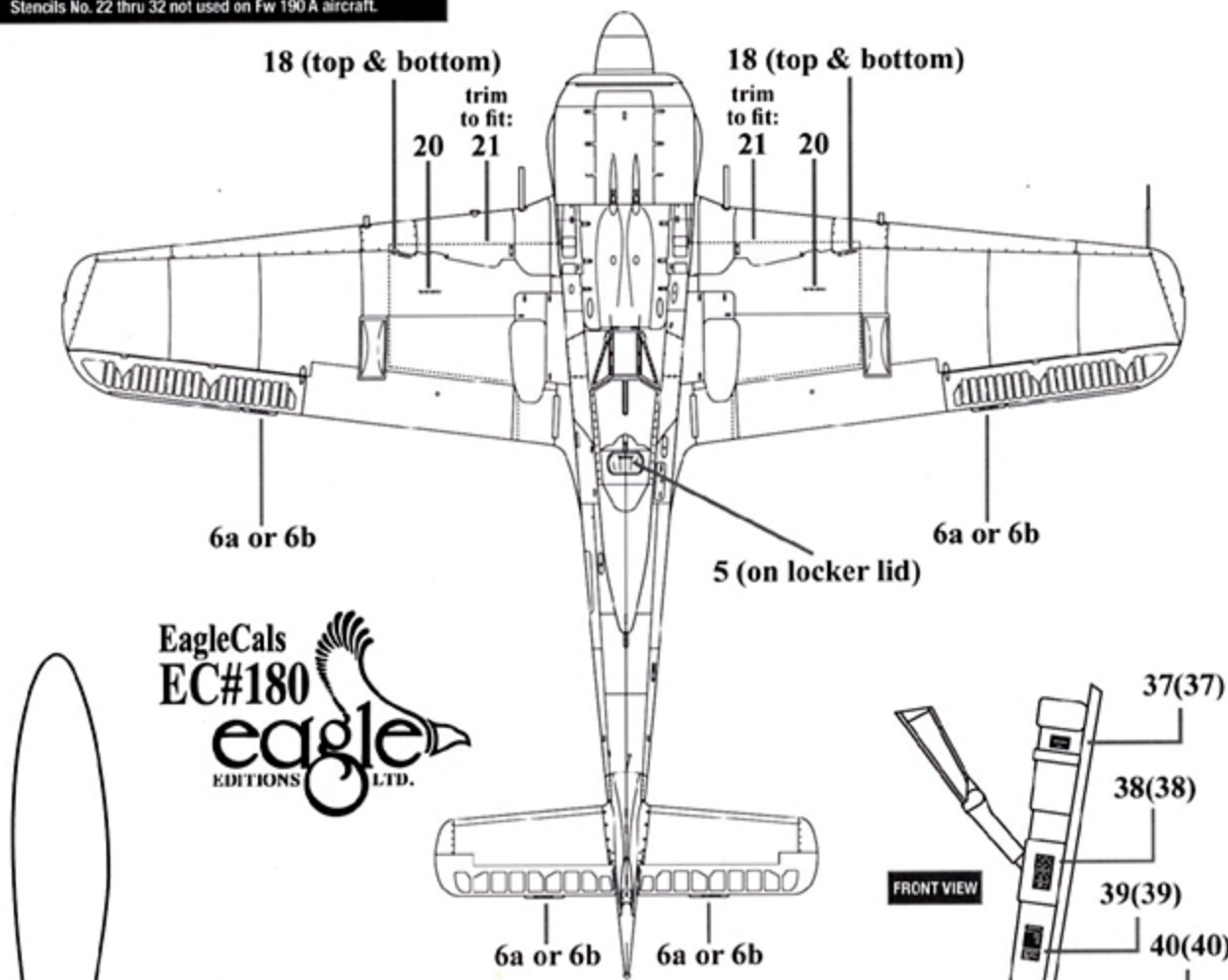
Eagle Editions Ltd. LLC

752 Bobcat Lane Hamilton MT 59840

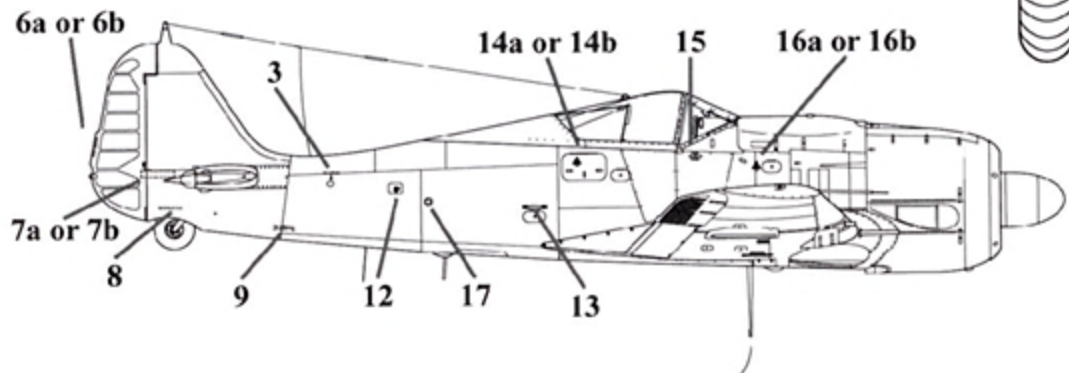
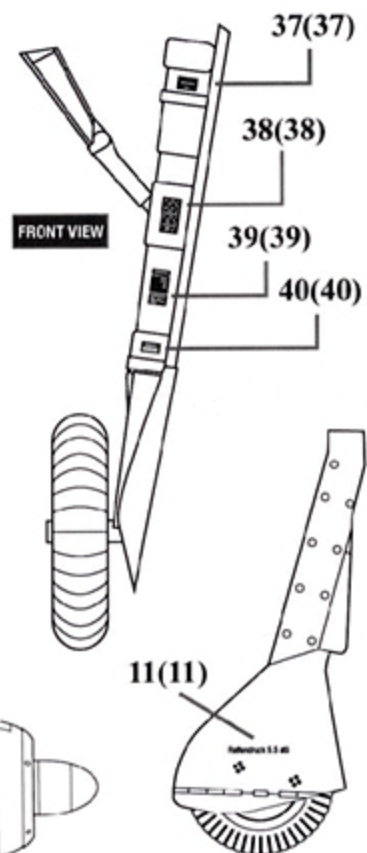
[www.eagle-editions.com](http://www.eagle-editions.com)

No copies may be reproduced without written consent from publisher Eagle Editions Ltd. LLC  
The color schemes depicted are the artist's interpretations of the available photographic references only.  
The final decision resides with the modeler.

NOTE: Stencil diagram drawings are representational only. Check your reference for the specific detail and differences between variants. Stencils No. 22 thru 32 not used on Fw 190 A aircraft.



Fw 190A-1 thru A-4 use 41  
Fw 190A-7 thru A-8 with EXTERNAL WEIGHTS use 42  
Fw 190A-5 thru A-9 use 43



PROPELLERS  
Provisional! Not to scale!

