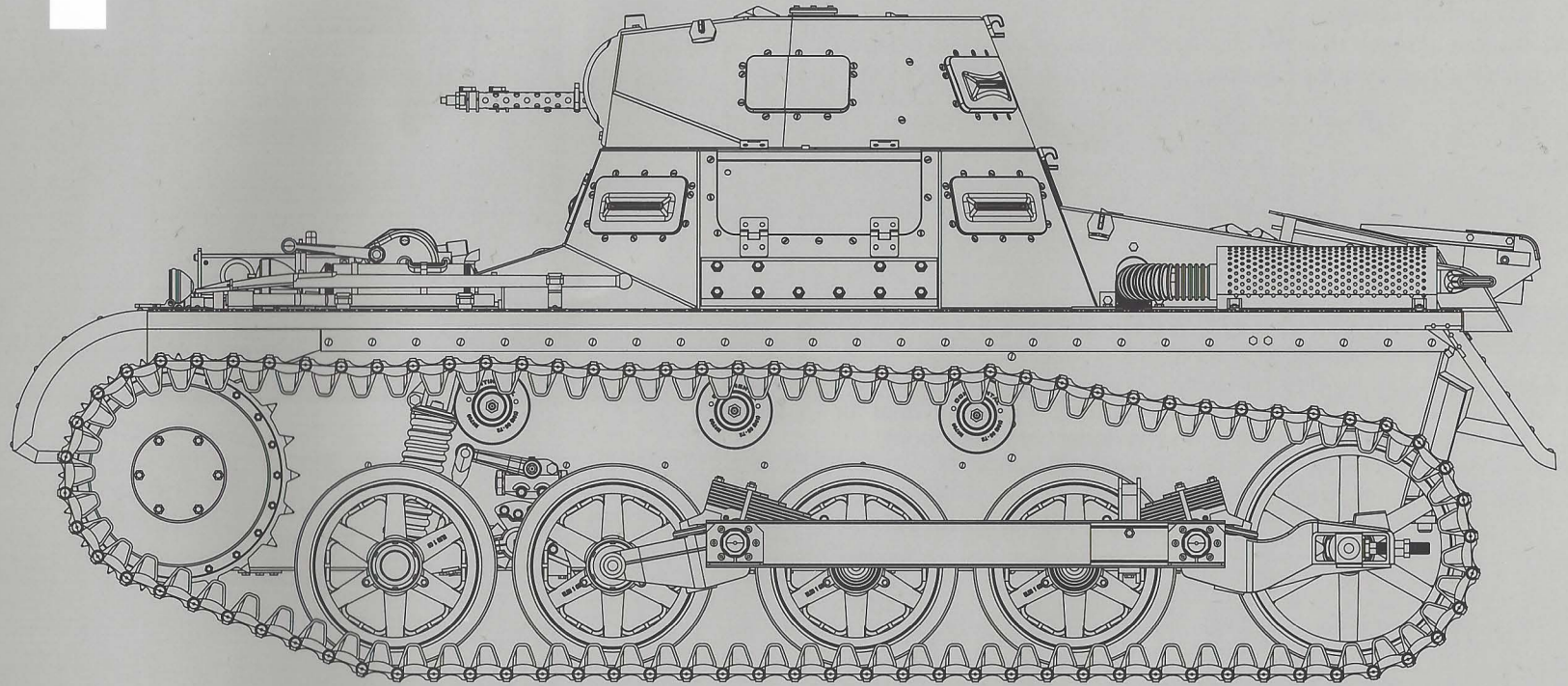


Pz.Kpfw.I Ausf.A



In 1930, Krupp was selected by Waffenpruefwesen 6 (the automotive and tank design office of the German army) to work on the design of a small light tracked tractor named Kleintraktor. It was to be equipped with a 20 mm (0.79 in) auto-cannon, powered by a 60 hp engine and weigh no more than 3000 kg. A year later, in 1931, Krupp sent a description of the Kleintraktor-Fahrgestell (chassis) to Wa.Prw.6. The Krupp Kleintraktor was described as a fast and maneuverable tracked vehicle that weighed about 3.5 tons and could achieve 45 km/h (28 mph). The hull of the tank was made of welded steel plates, it was armed with a 20 mm (0.79 in) auto-cannon and carried 500 rounds.

As development proceeded, several prototypes were made, with some flaws being removed from the tank. The turret was redesigned to fit 2 machine guns and armor protection was increased. In 1933, the Panzer I was considered ready and an order was placed for 150 training tanks, with another 1000 combat-ready tanks being ordered the following year. Neither of these orders were fully delivered.

The Panzerkampfwagen I Ausf.A went into production in late 1934 and continued until early 1936. Around 800 examples were built, having several limitations. The armor was insufficient, being only 13 mm (0.51 in) at its thickest. There were problems with the early suspension, making the tank pitch backwards at high speeds. There were also concerns about the propulsion, overheating, the commander being both gunner and loader of the two machine guns, and communication going through old-fashioned vocal tubes. With its two machine guns, light armour and speed, these machines were nothing more than training and scout tanks. Despite this, most of them fought in regular Panzer divisions alongside the improved Ausf.B until late 1941.

READ BEFORE ASSEMBLY

CAUTION

- Read carefully and fully understand the instructions before commencing assembly. A supervising adult should also read the instructions if a child assembles the model.
- When assembling this kit, tools including knives used. Extra care should be taken to avoid personal injury.
- Keep out of reach of small children. Children must not be allowed to suck any part, or pull vinyl bag over their heads.



Optional



Remove



Do Not Cement



Fill Holes



Drill



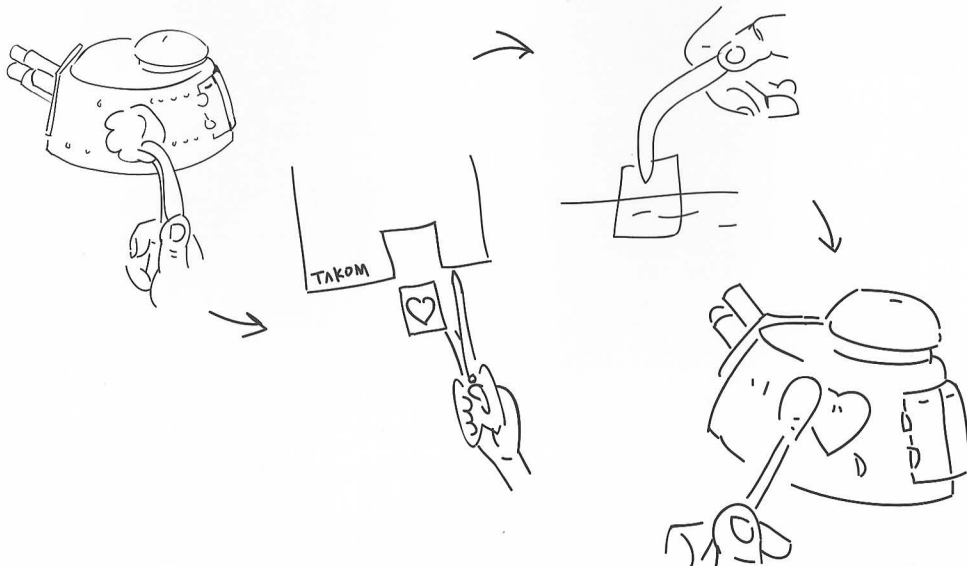
Instant Glue
for Metal



Be Careful

APPLYING DECALS

1. Clean the model surface with a wet cloth.
2. Cut out each decal design from sheet, and dip it in tepid water for 15~20 sec.
3. Hold the backing sheet edge and slide decal onto the model.
4. Move decal into position by wetting decal with finger.
5. Press decal gently down with a soft cloth until excess water and air bubbles are gone.

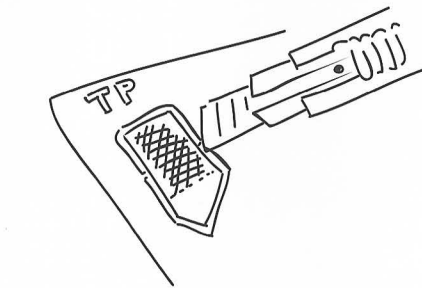


PAINTS REQUIRED

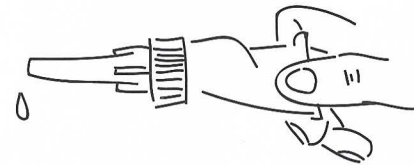
Color info and profiles by Mig Jimenez

A.MIG-0033 Rubber & Tires	A.MIG-0035 Dark Tracks	A.MIG-0045 Gun Metal	A.MIG-0041 Dark Rust
A.MIG-0195 Silver	A.MIG-0008 RAL 7021 Olivgrun opt.1	A.MIG-0007 RAL 7017 Dunkelbraun	A.MIG-0036 Old Wood
A.MIG-0093 Crystal Red	A.MIG-0050 Matt Black	A.MIG-0019 RAL 8000 Gelbbrun	

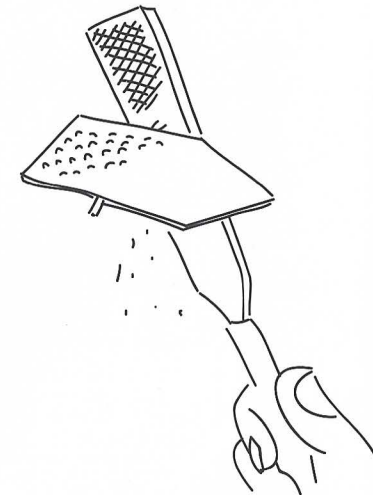
REMOVING PE



Be careful not to hurt when removing PE parts.

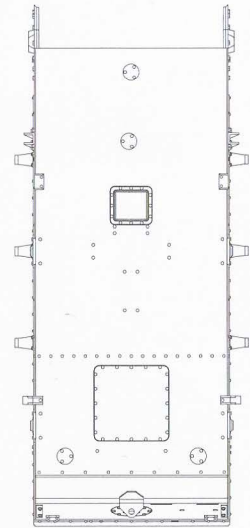
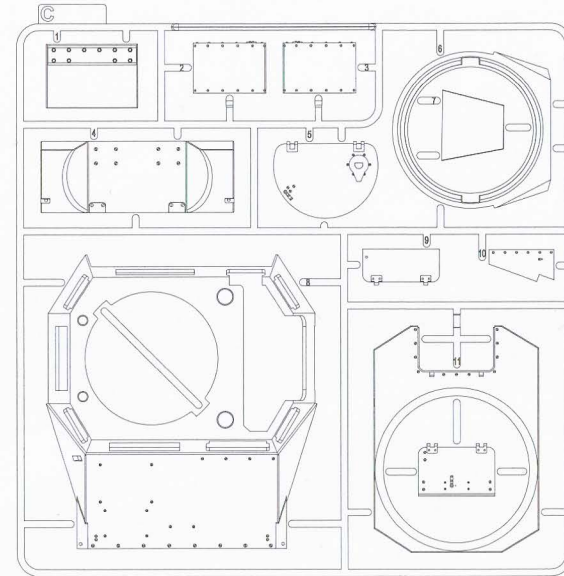
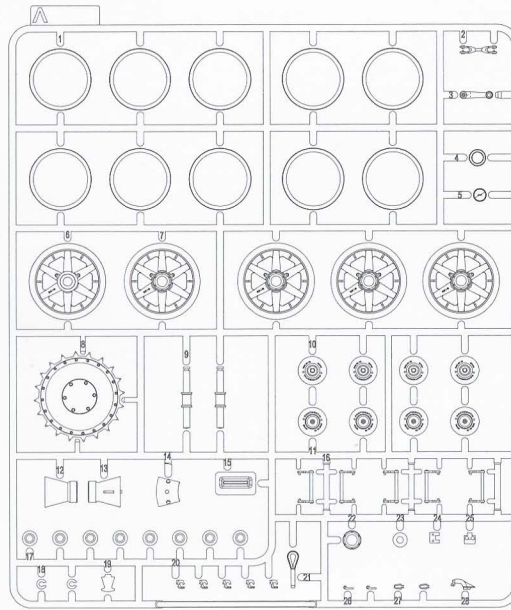
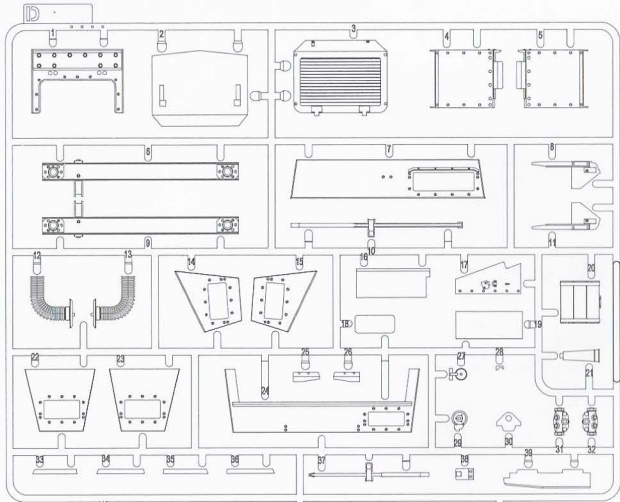


Secure using instant glue (not included).

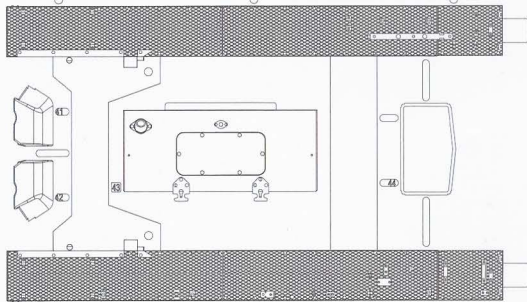


Finish using file.

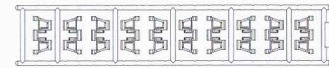
PARTS



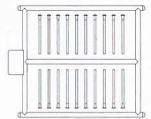
Lower Hull



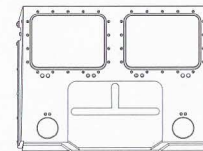
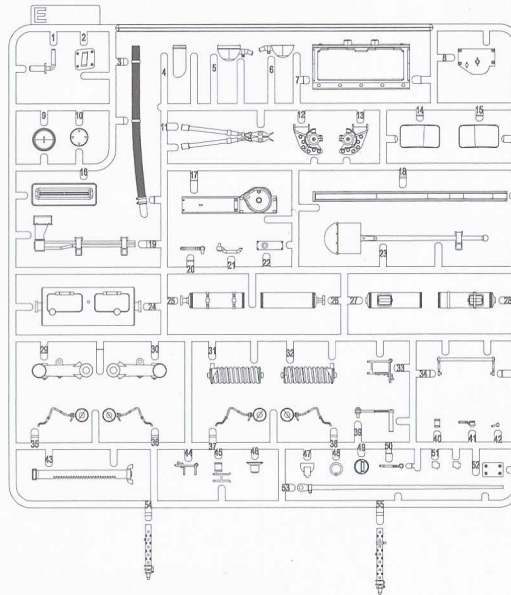
X2



H X18



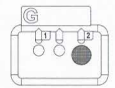
J X9



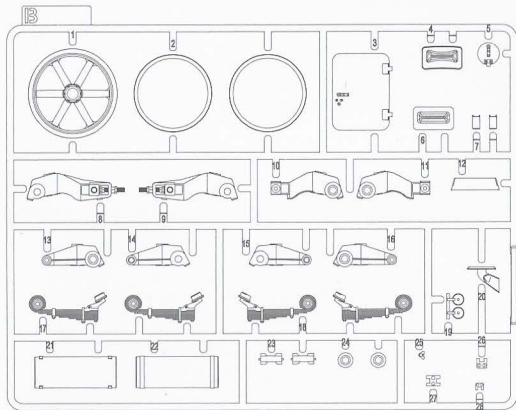
Turret



Cable



TP



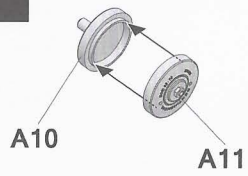
X2



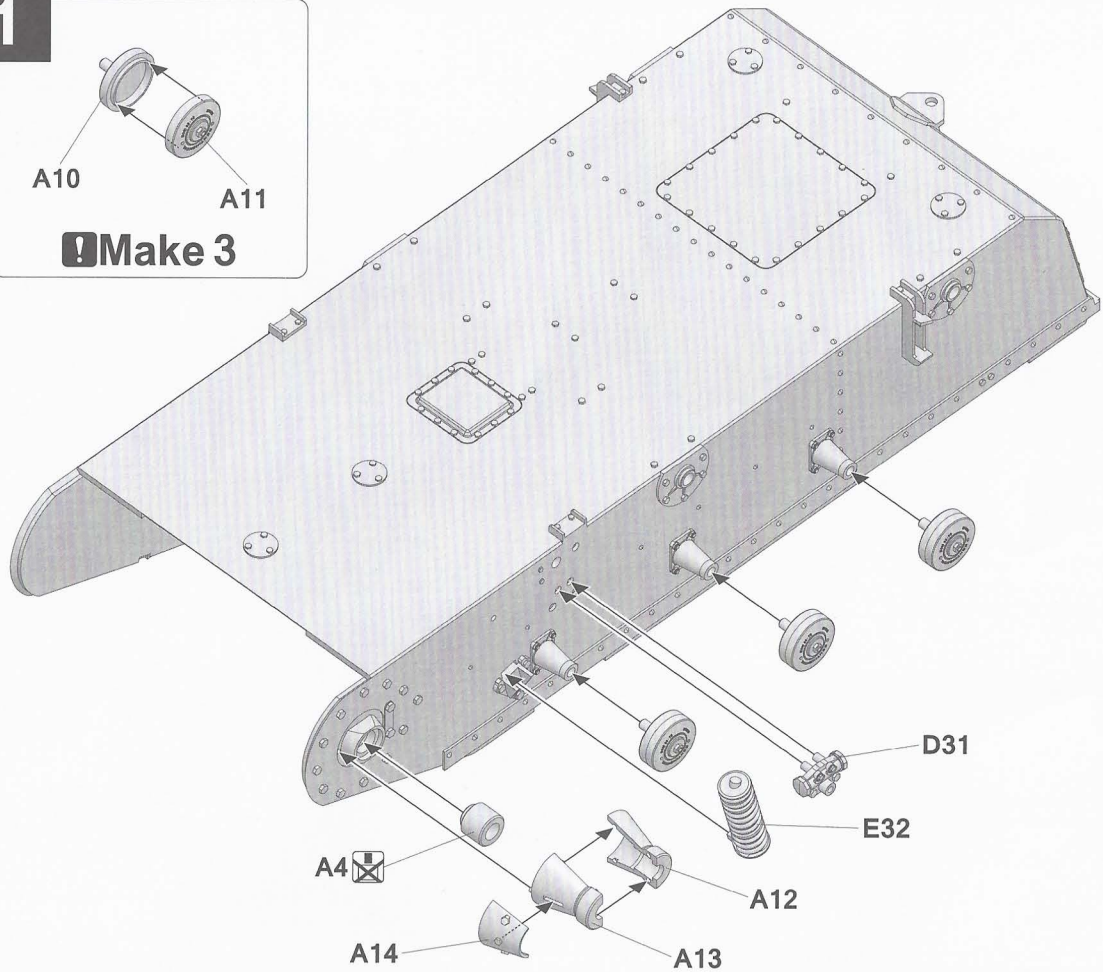
Decal



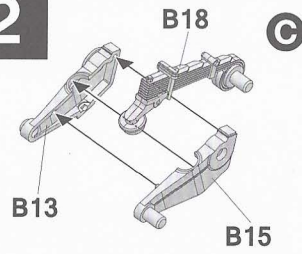
1



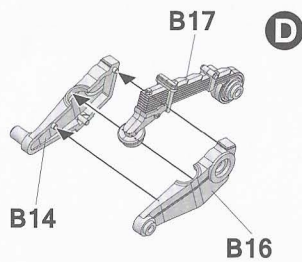
! Make 3



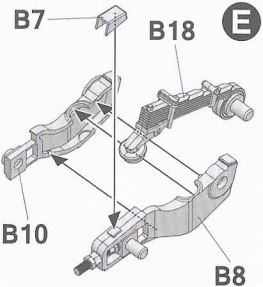
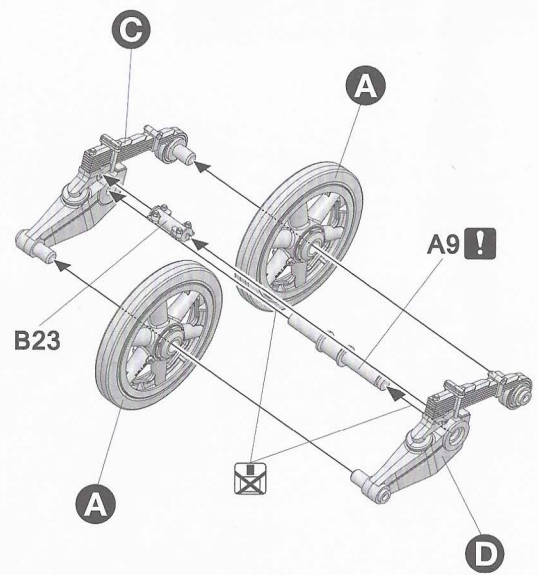
2



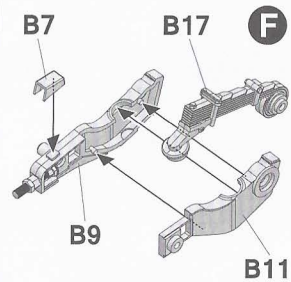
! Make 2



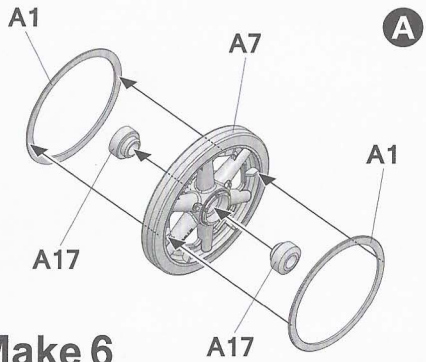
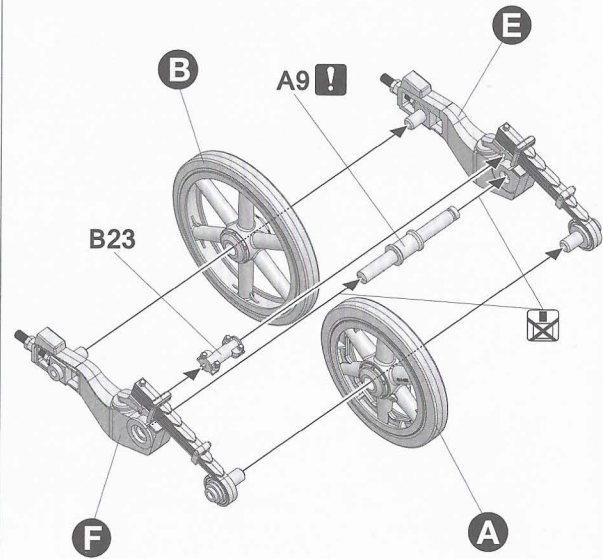
! Make 2



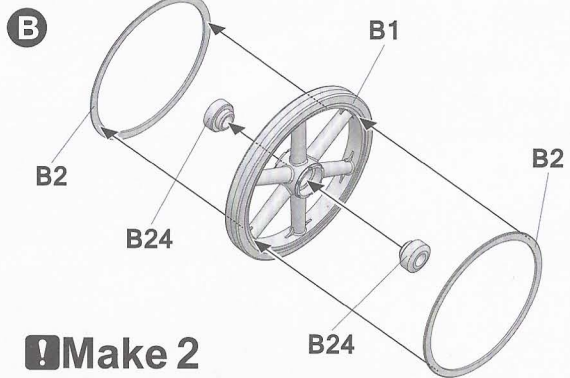
! Make 2



! Make 2

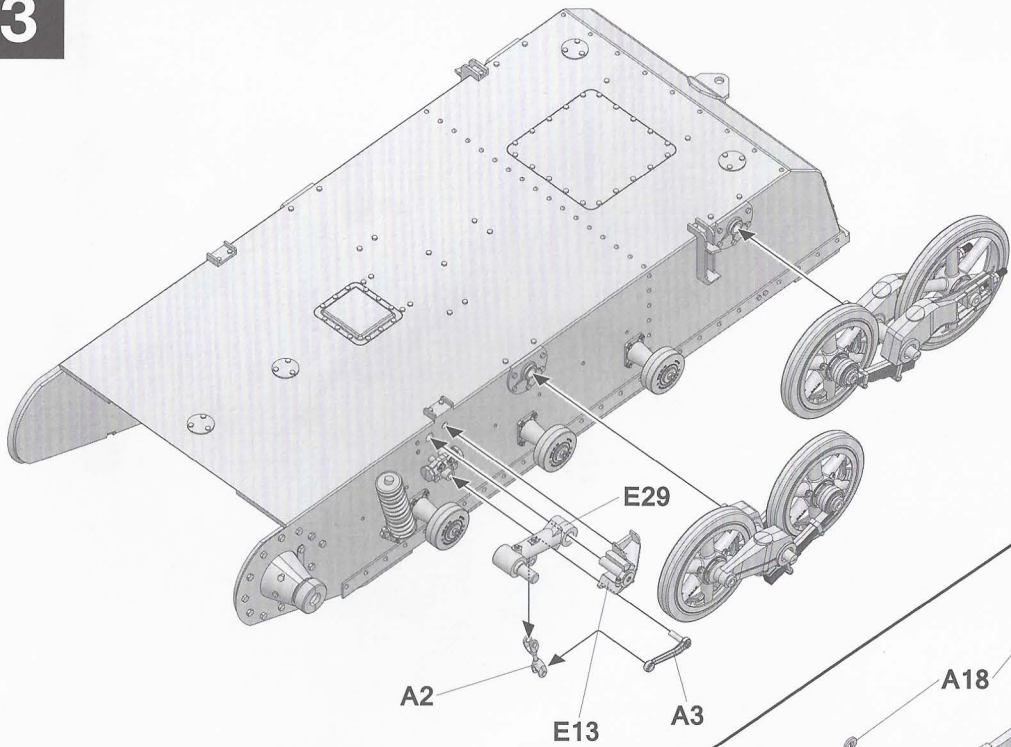


! Make 6

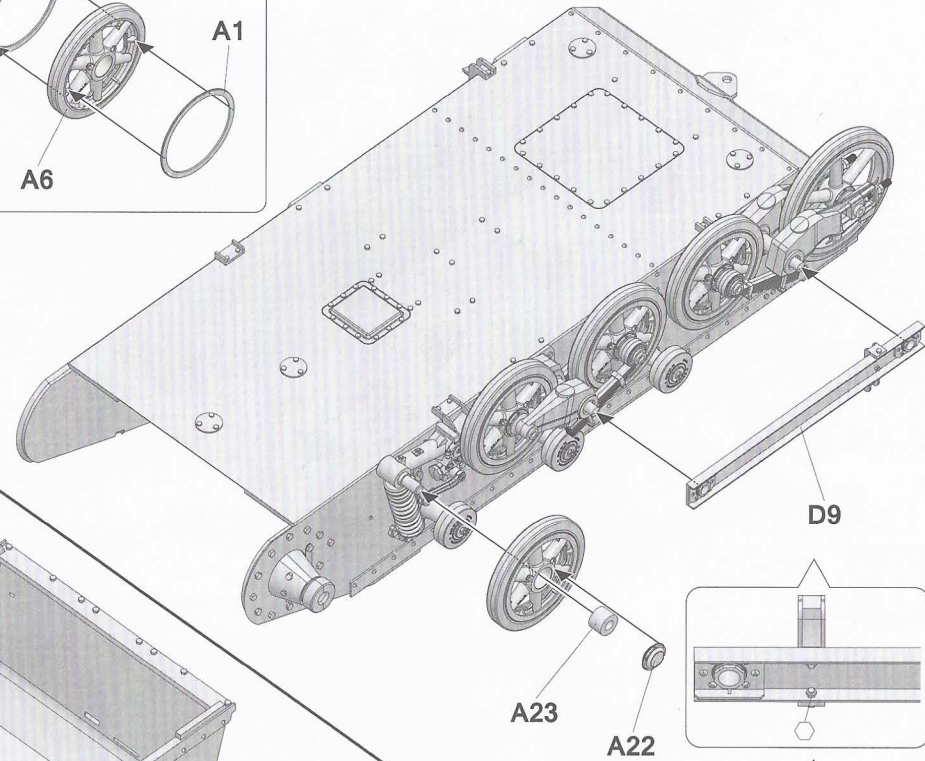
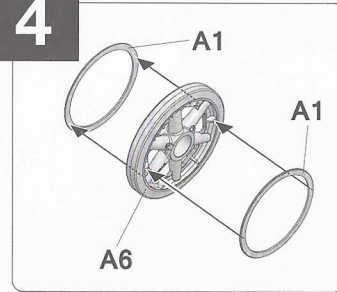


! Make 2

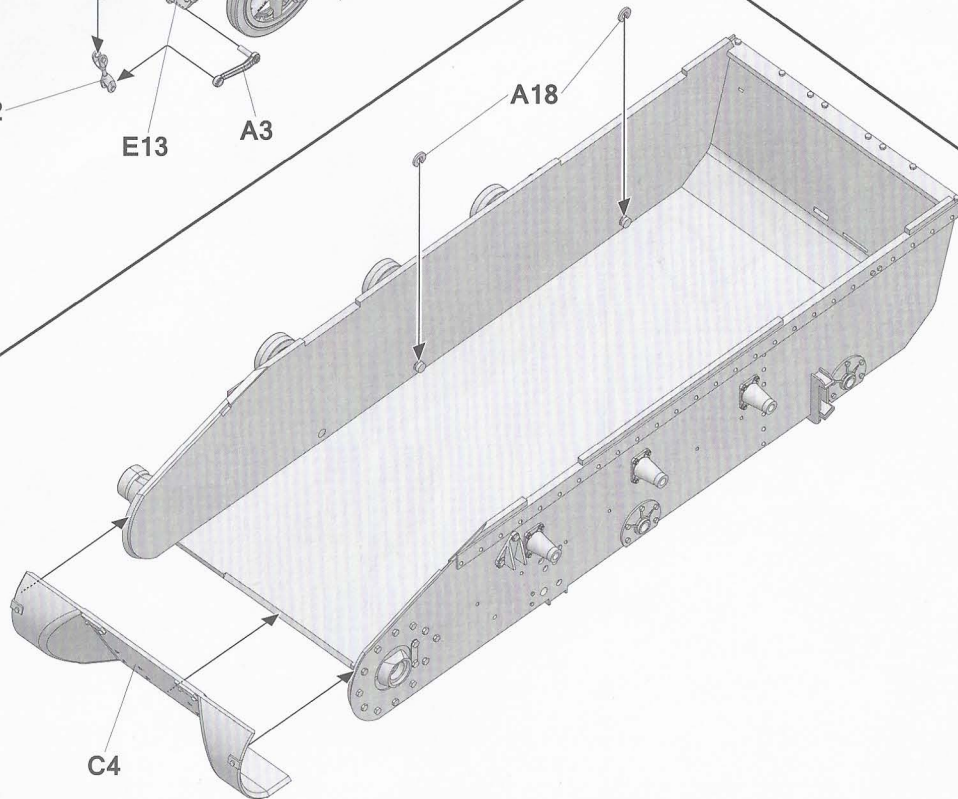
3



4

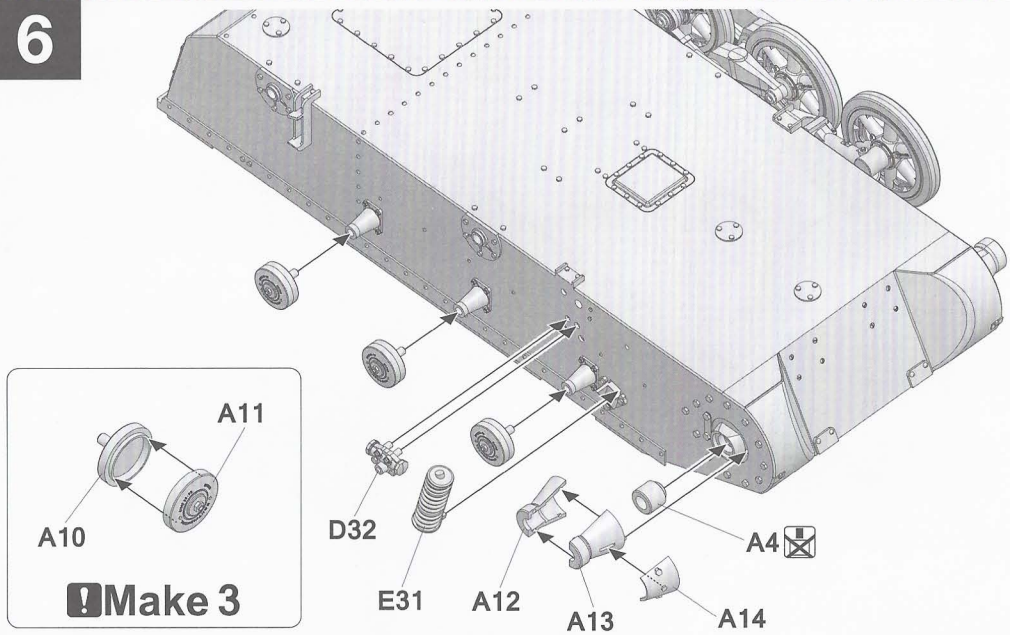


5

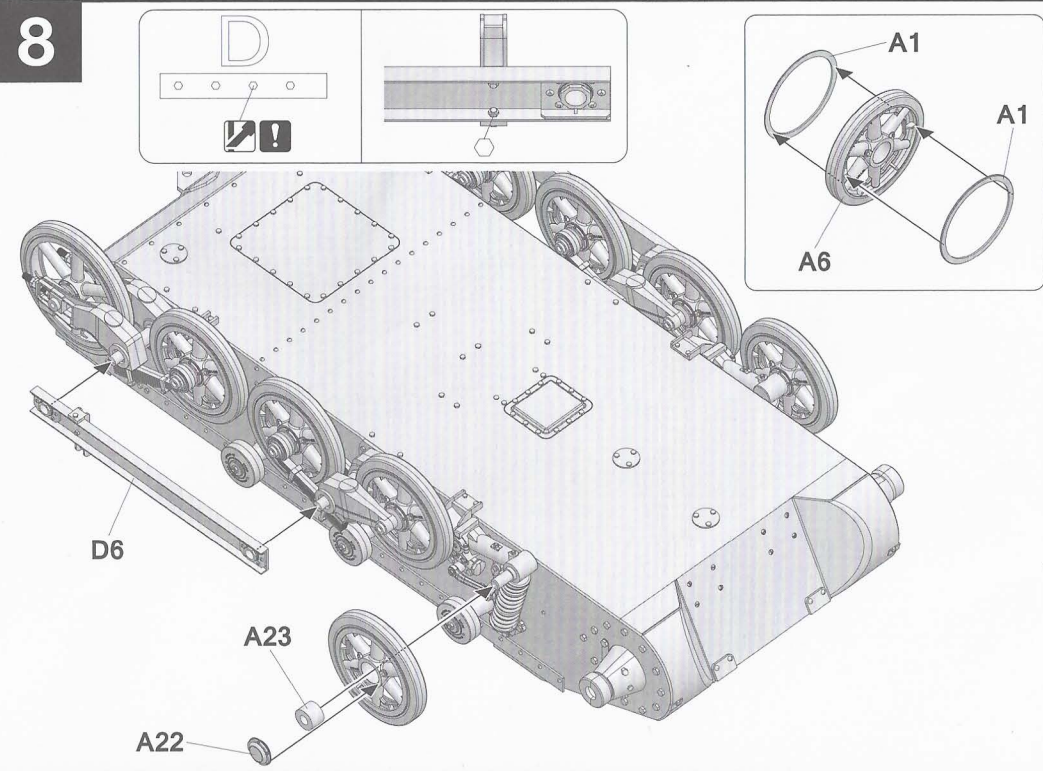


4

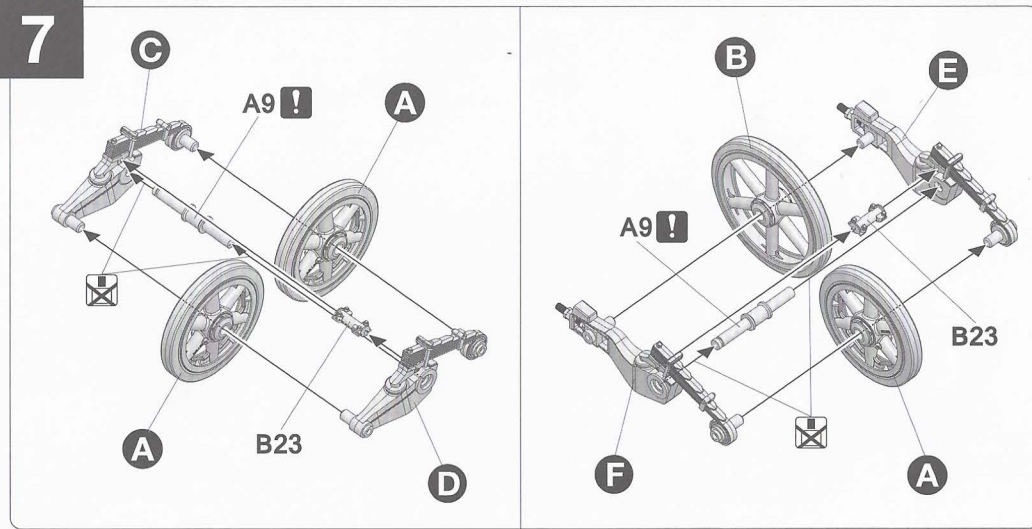
6



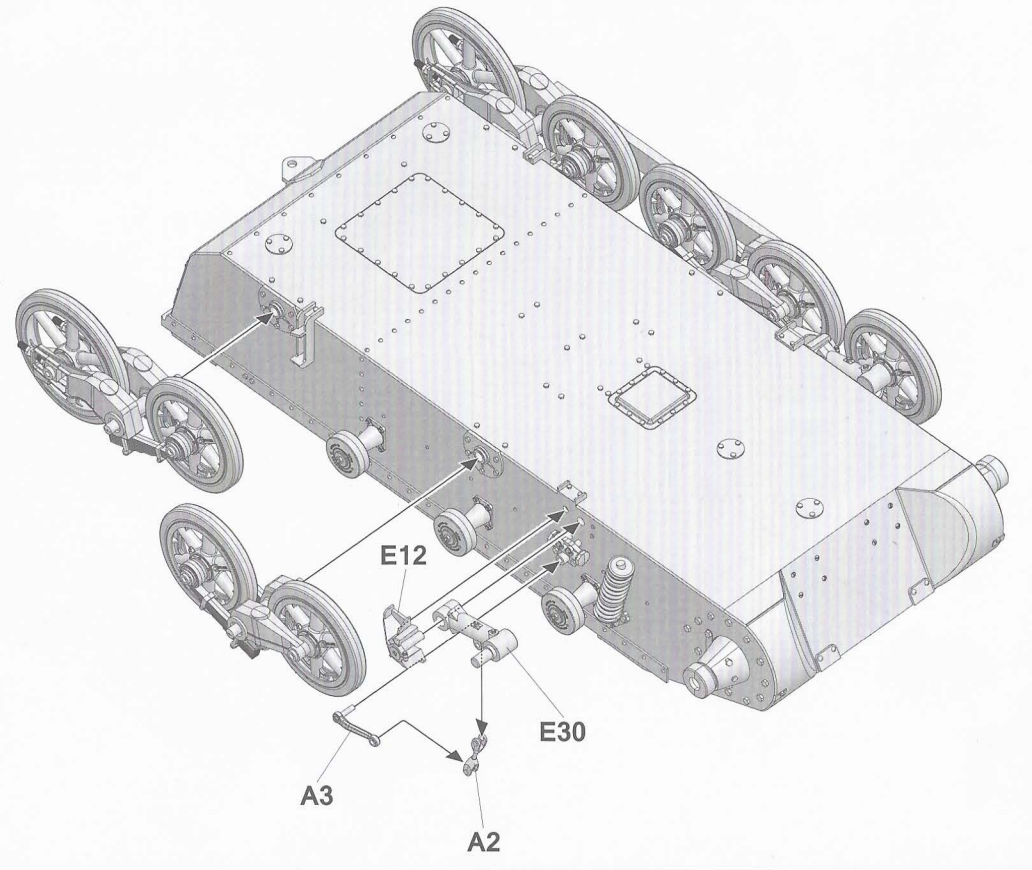
8



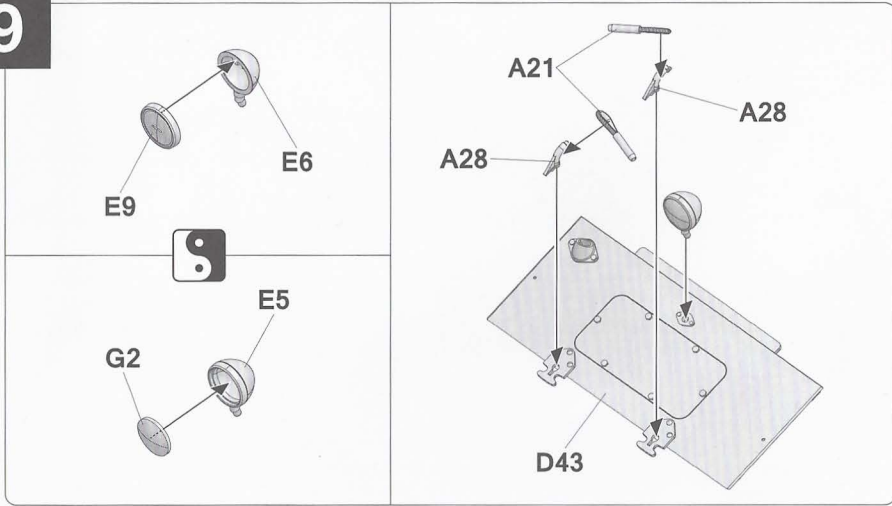
7



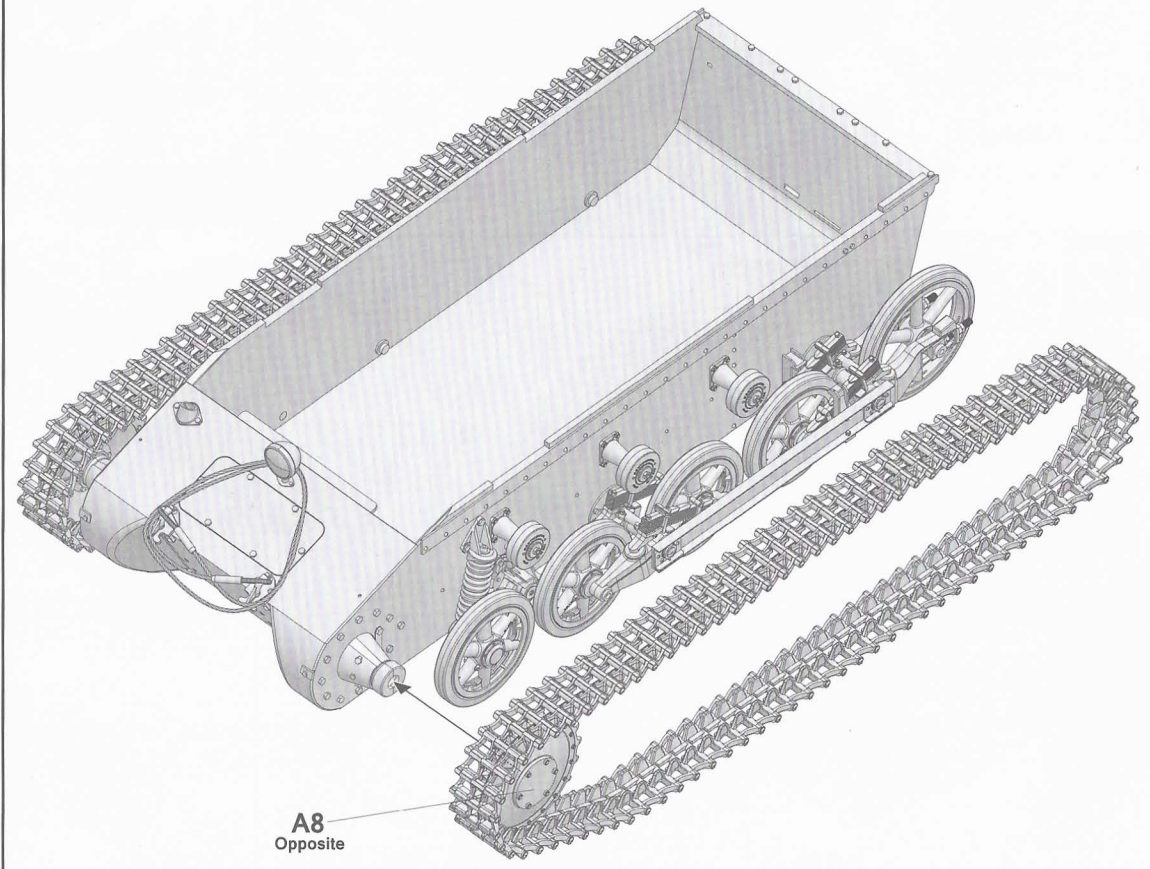
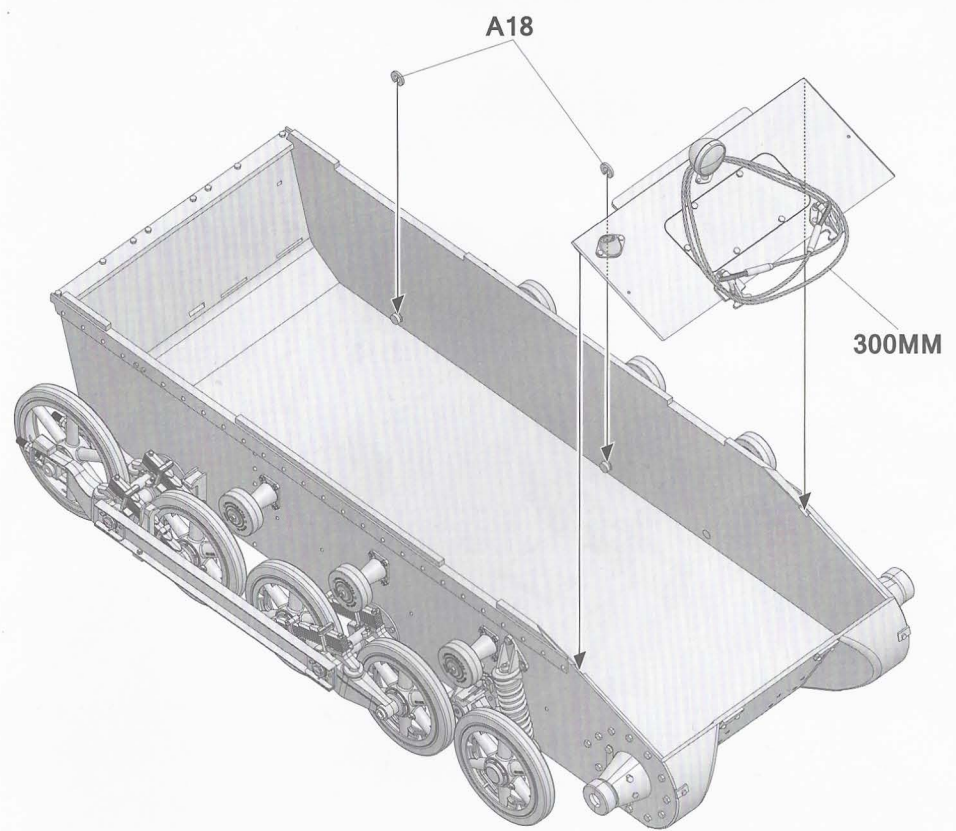
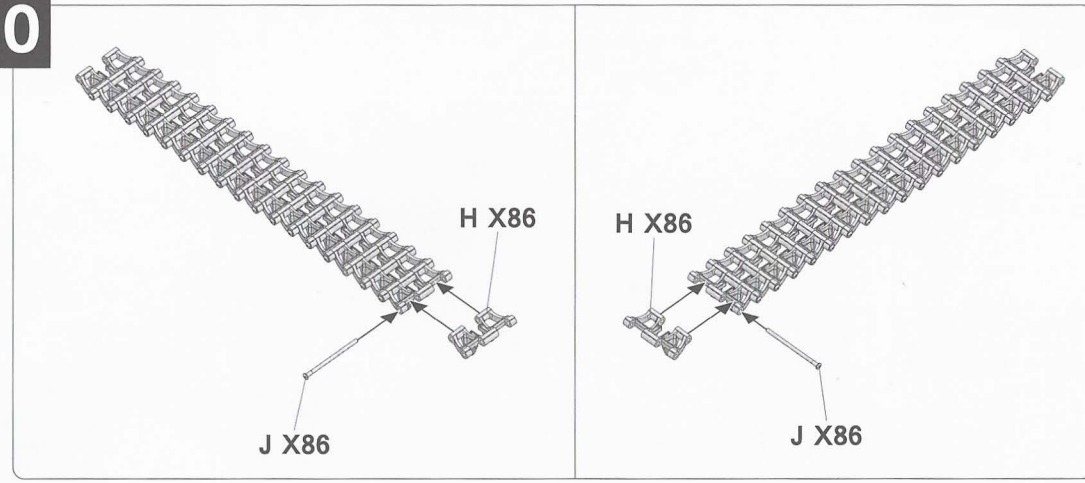
5



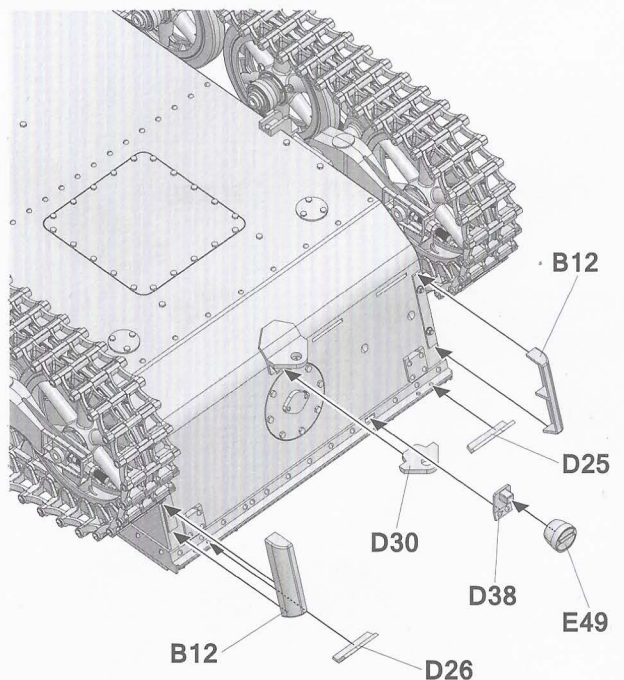
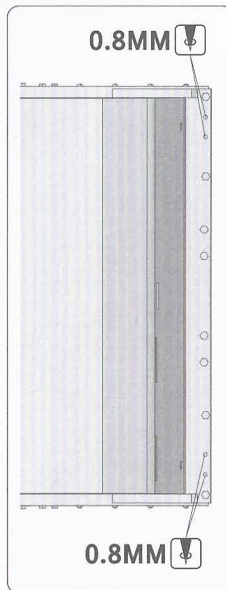
9



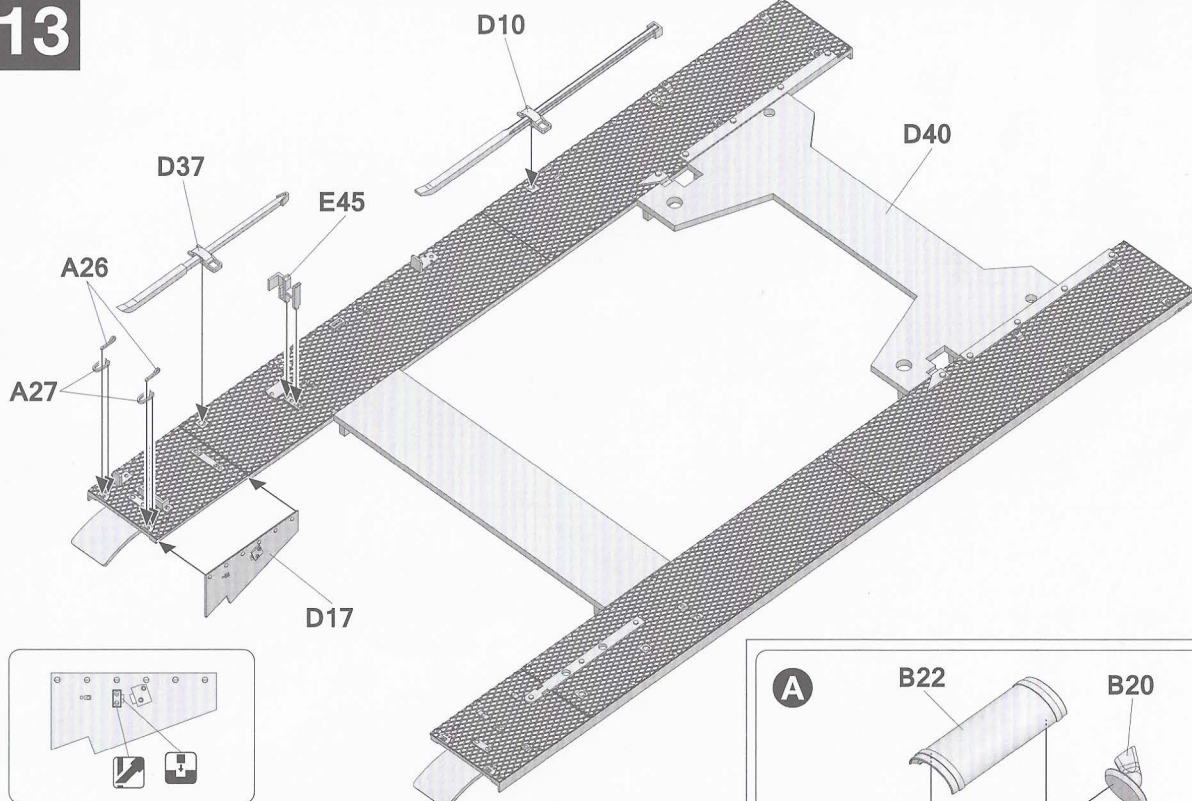
10



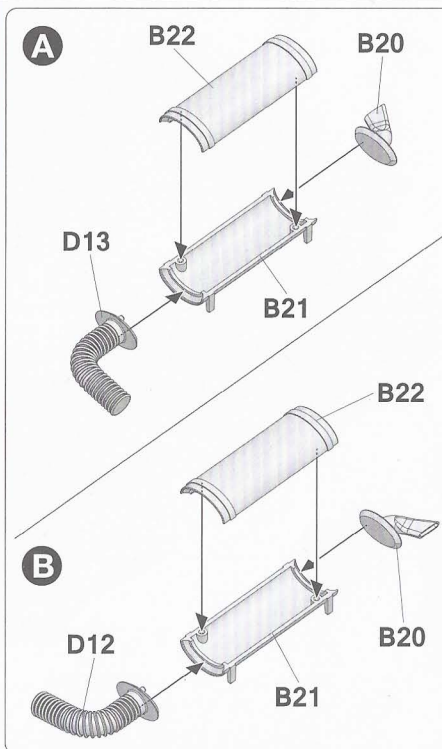
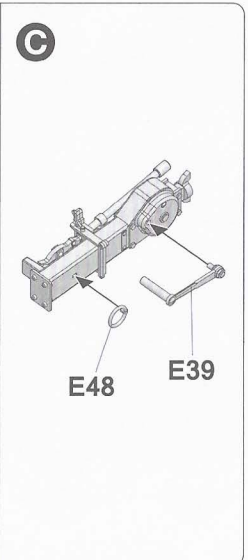
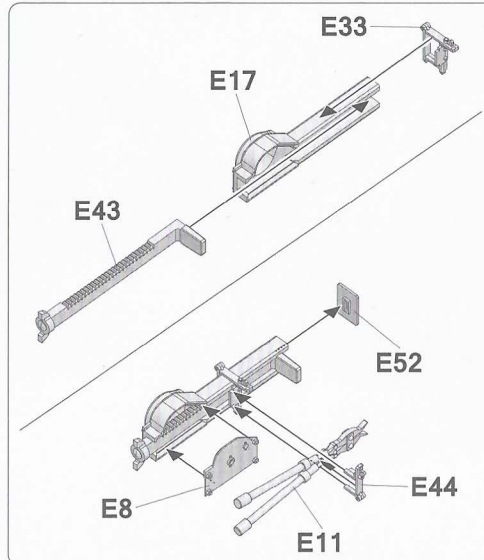
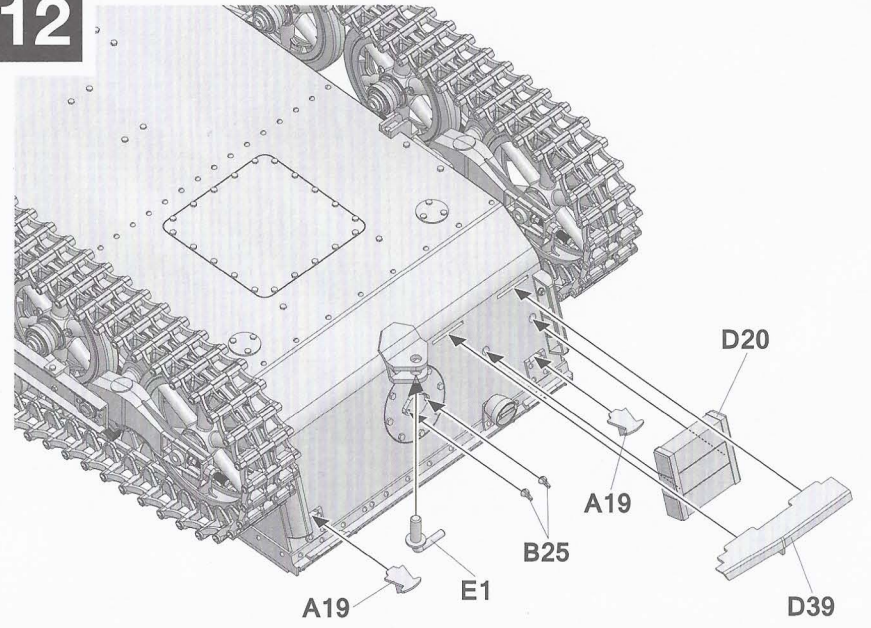
11



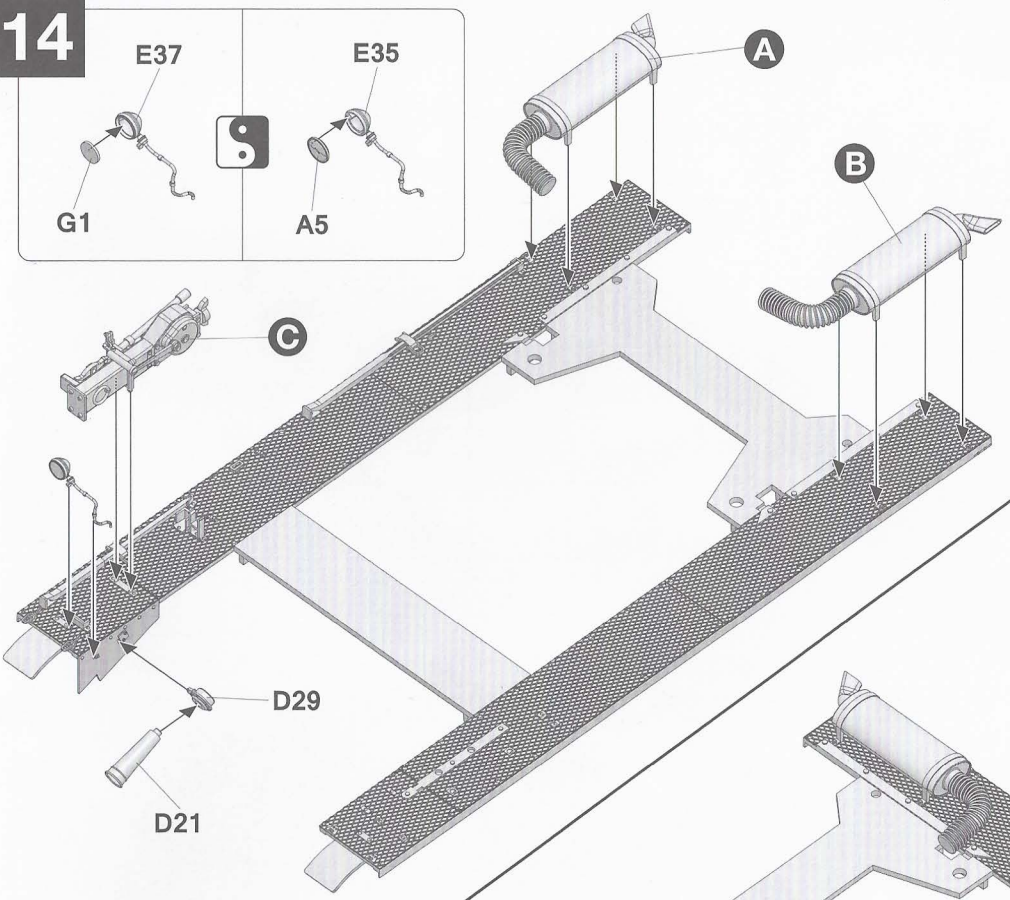
13



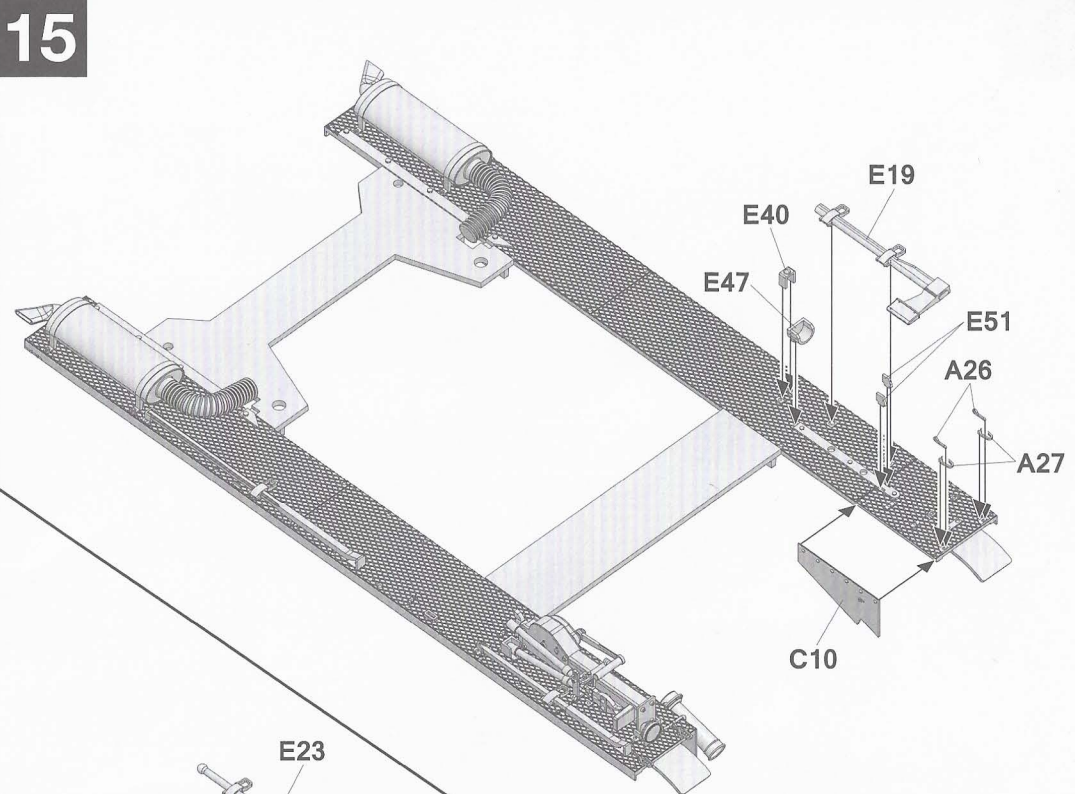
12



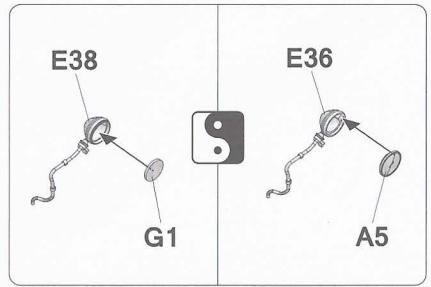
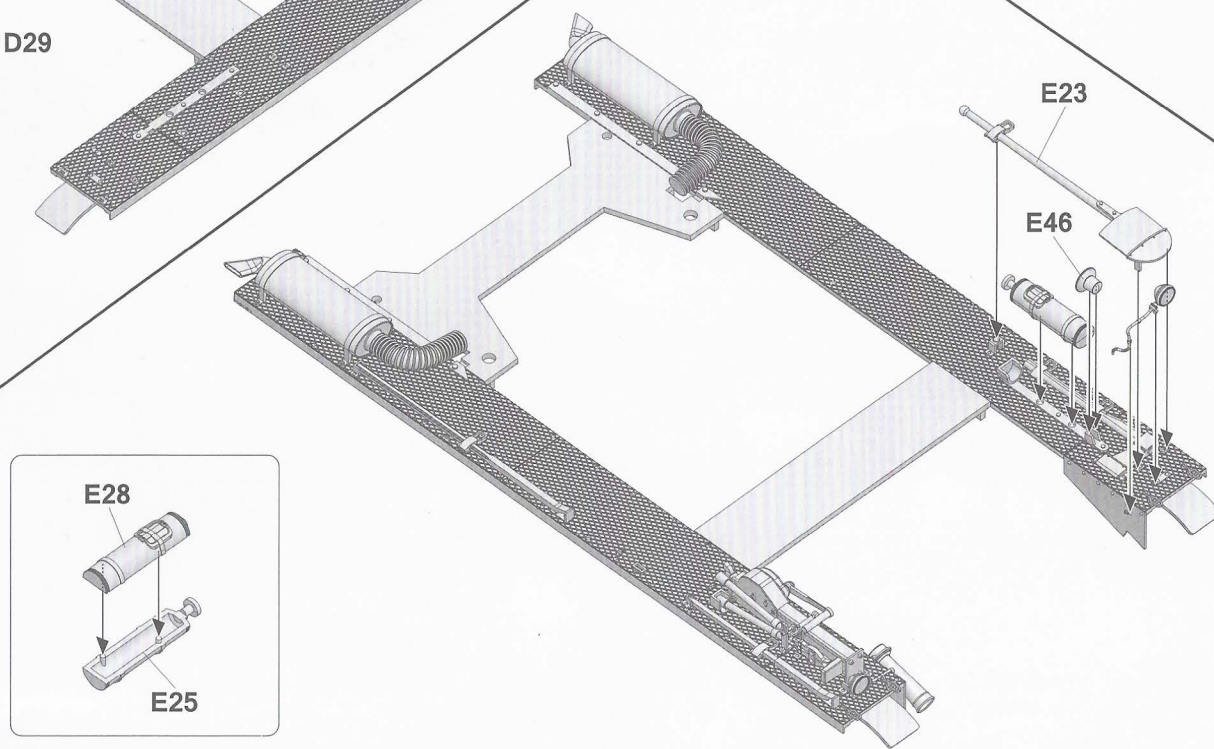
14

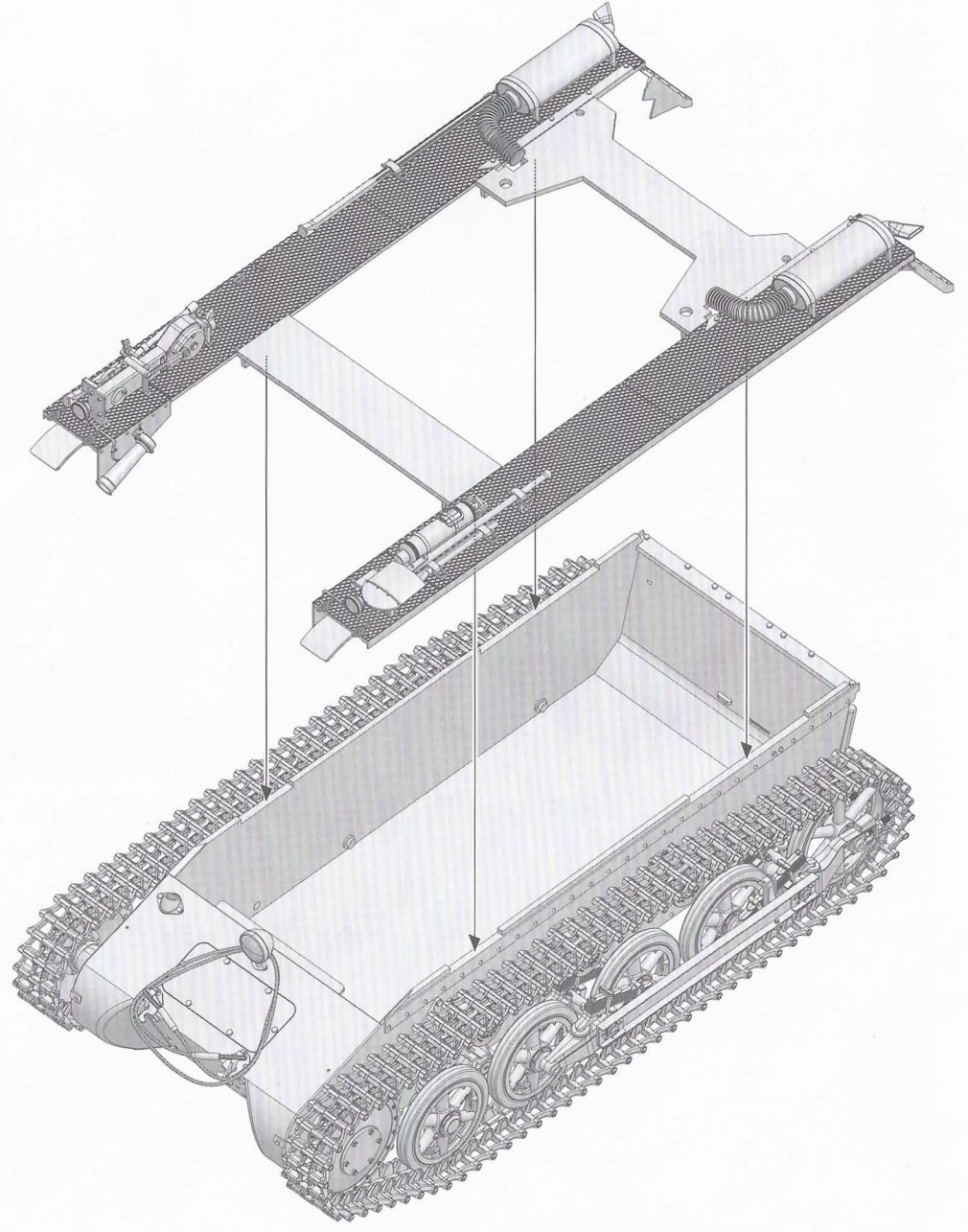
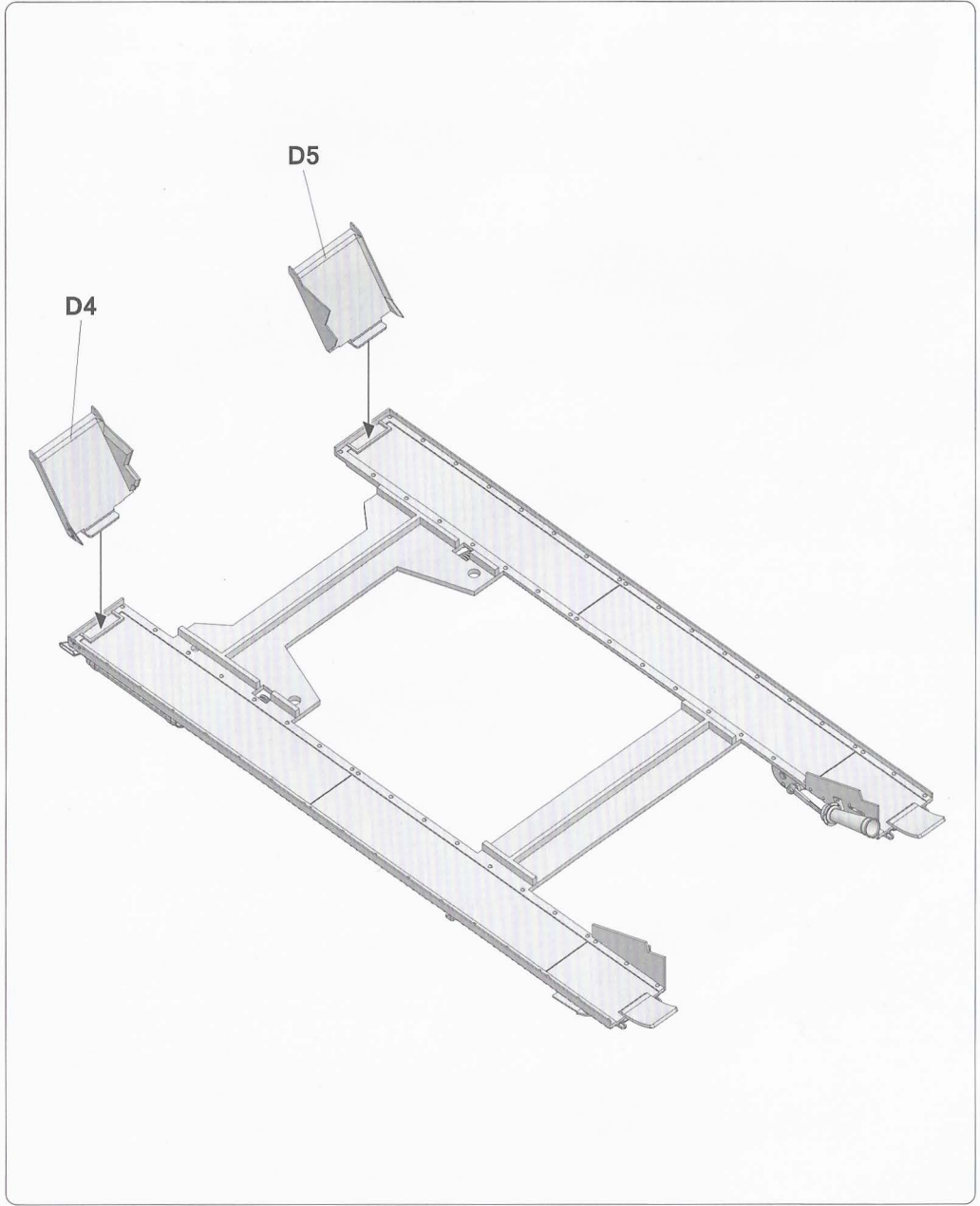


15

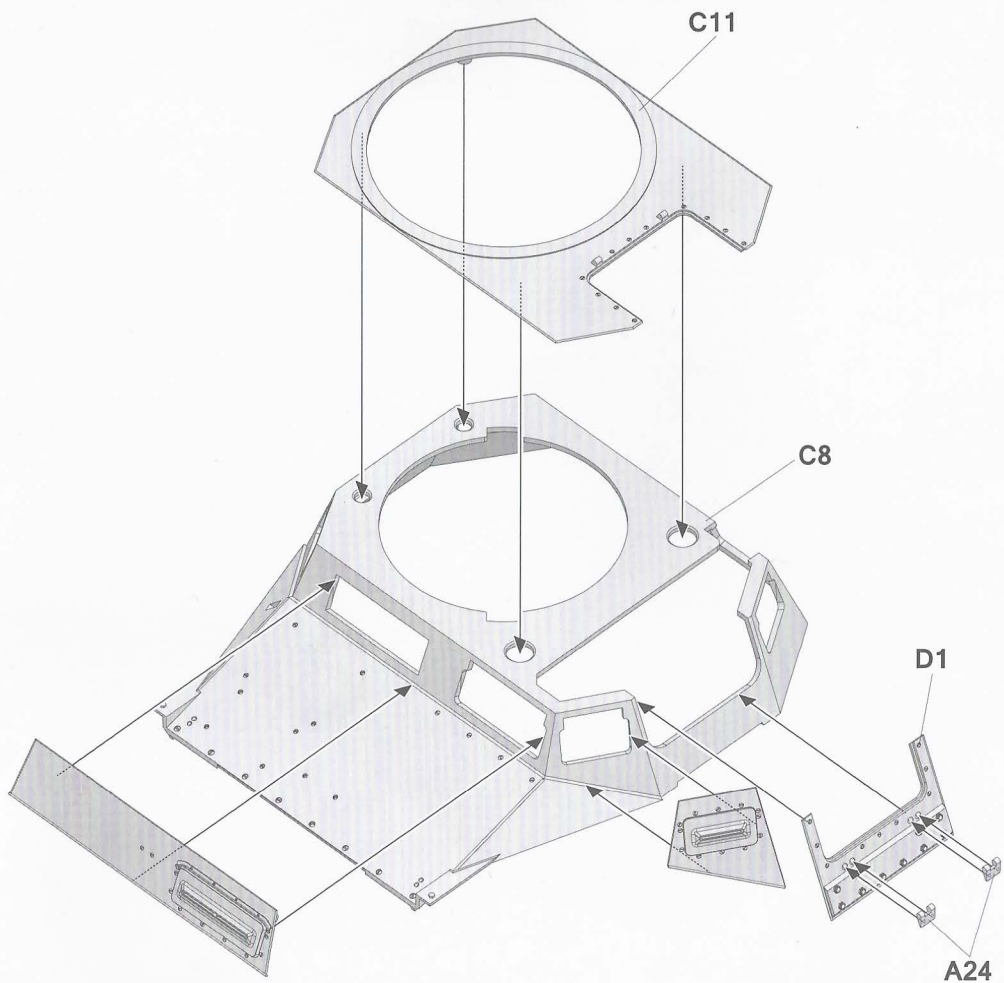
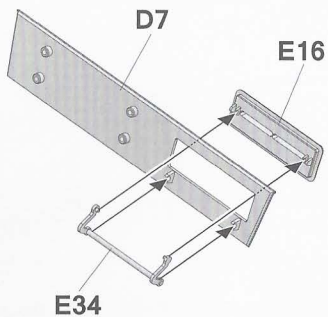
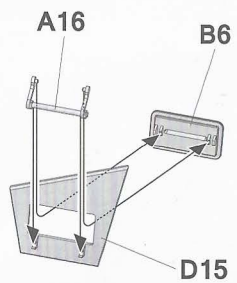


16

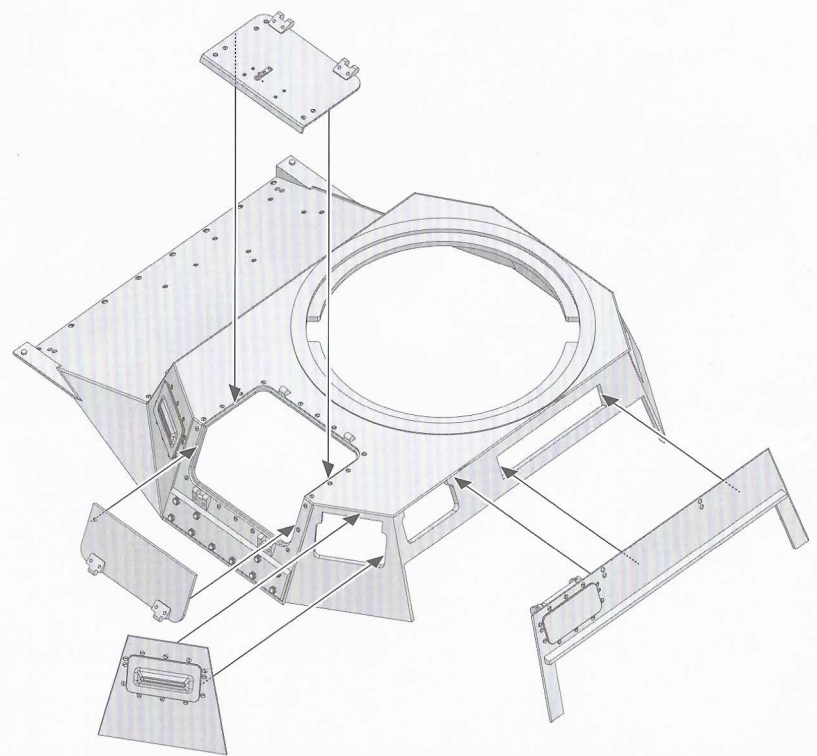
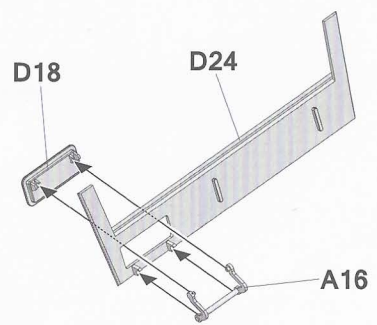
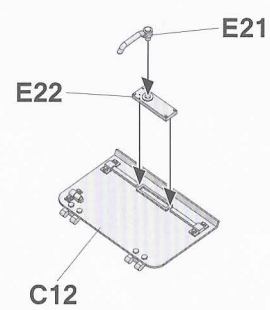
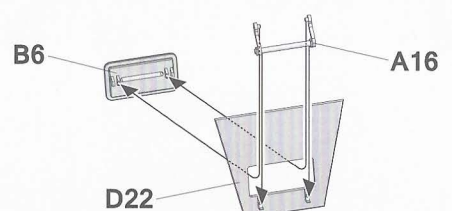
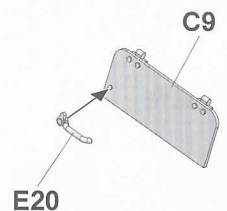


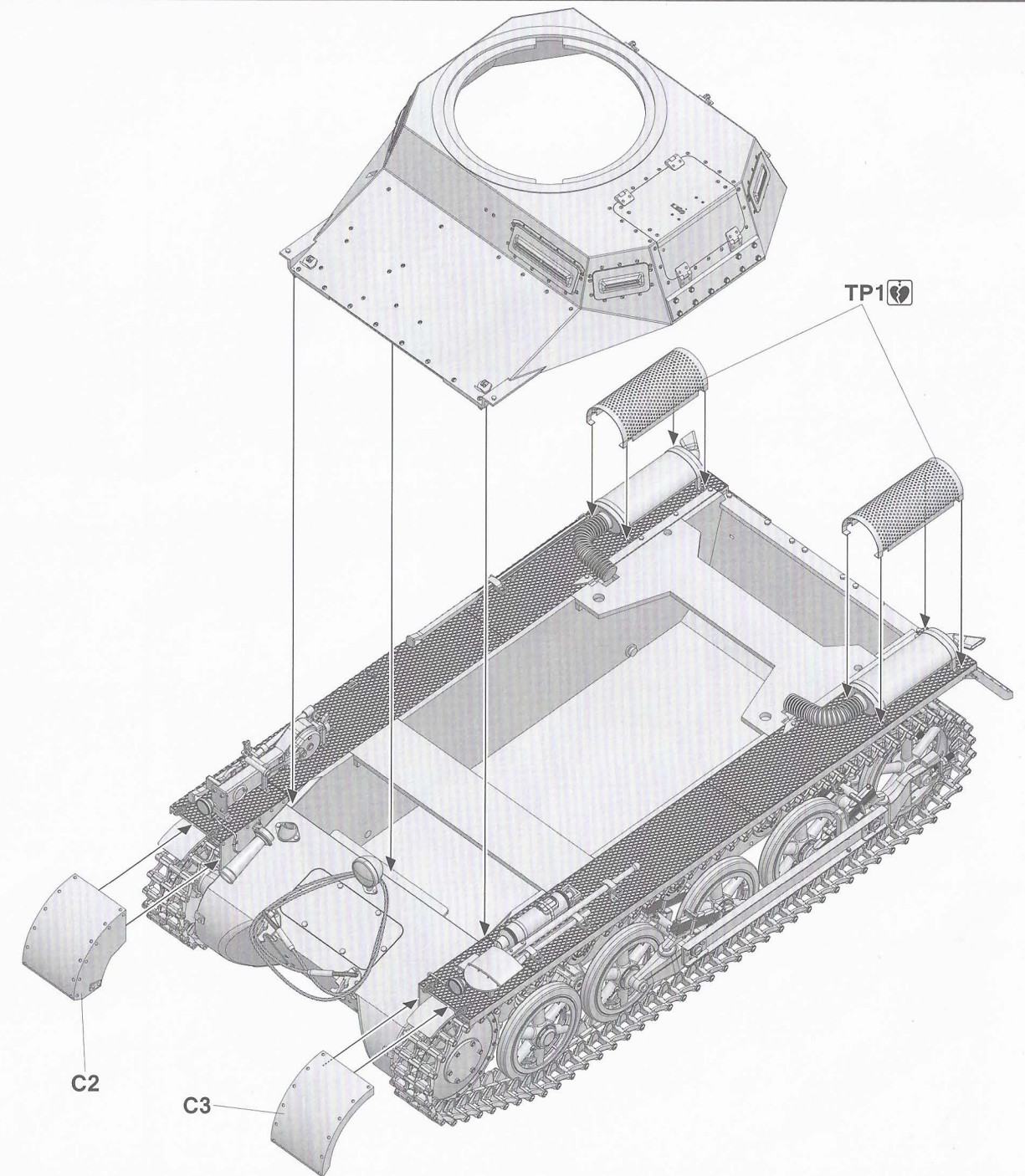
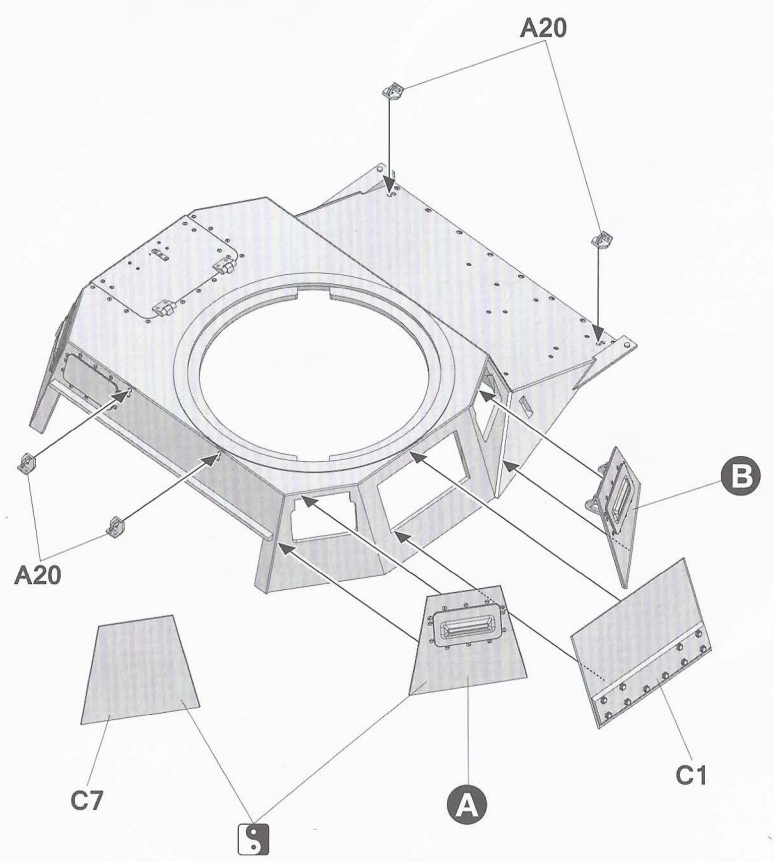
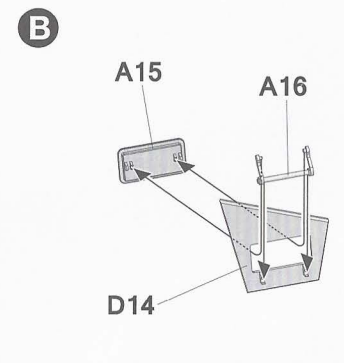
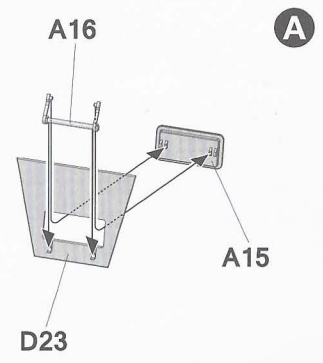


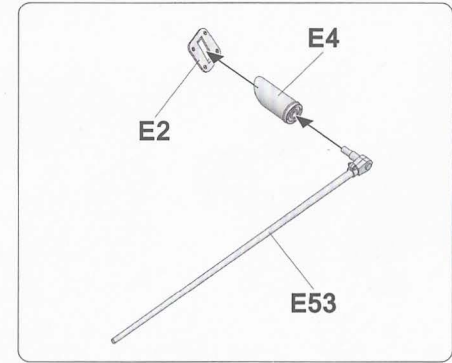
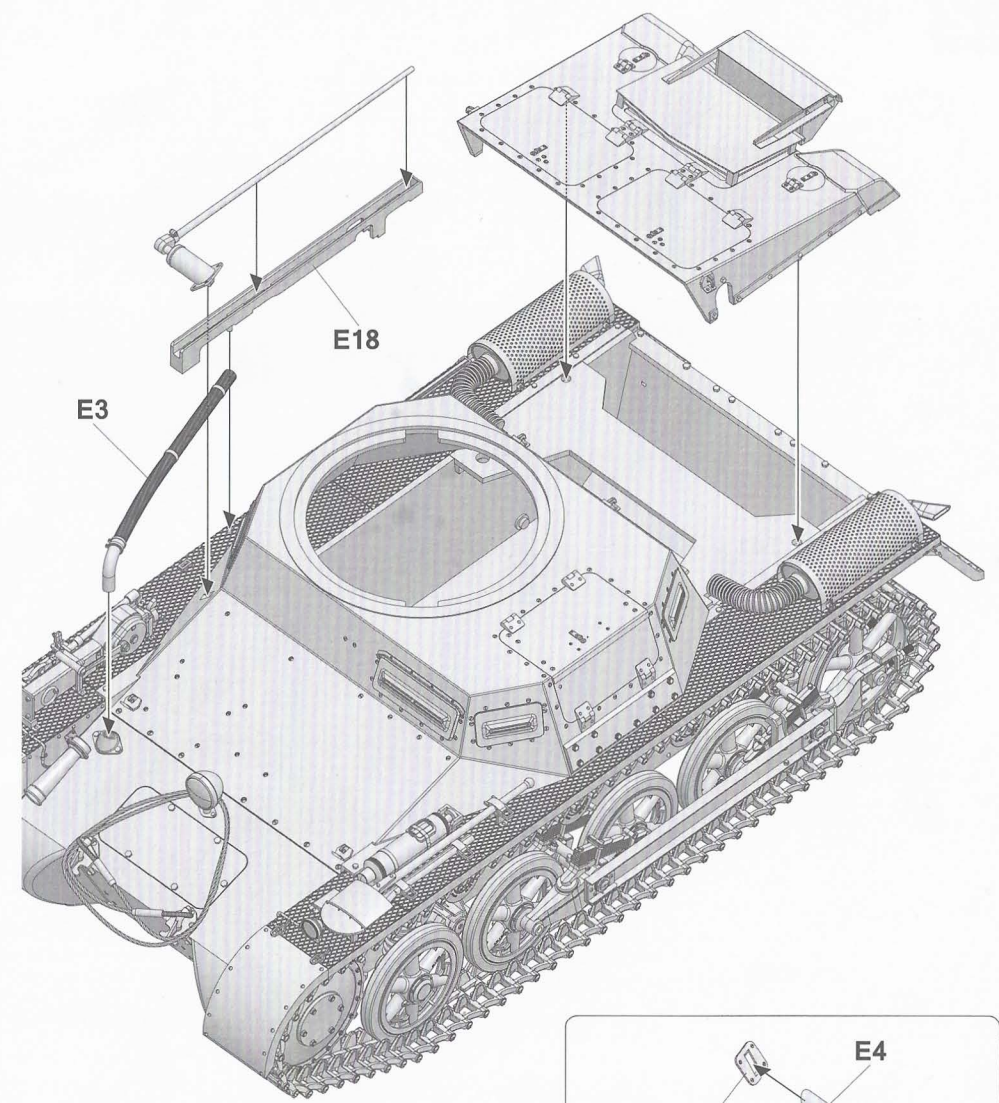
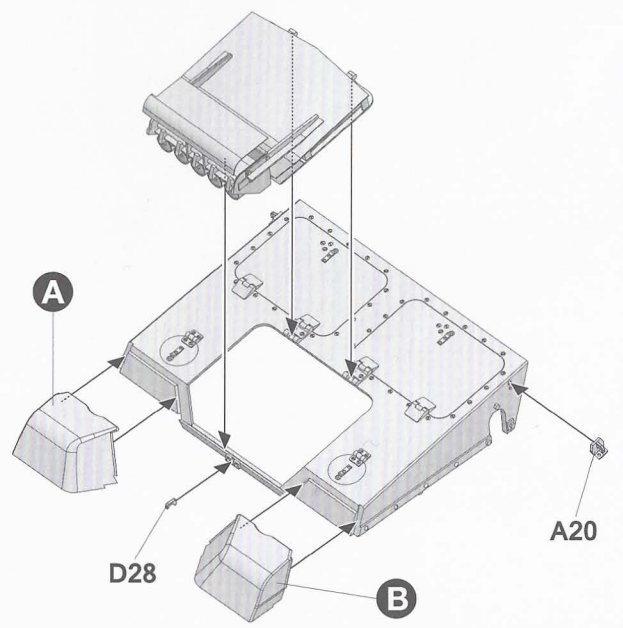
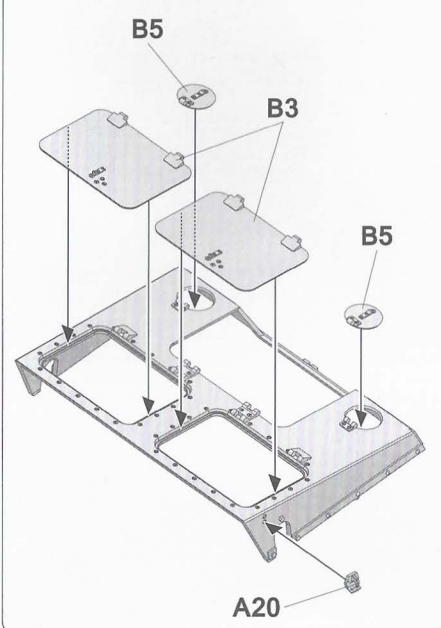
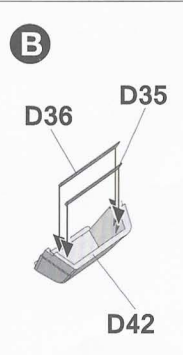
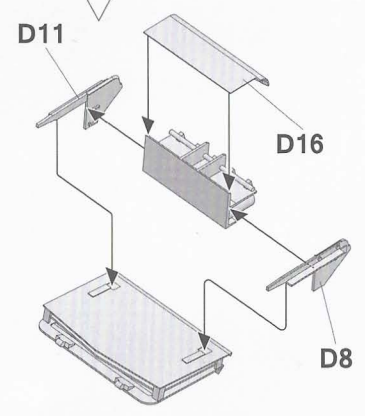
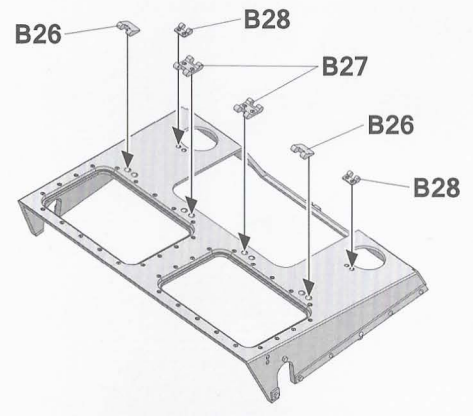
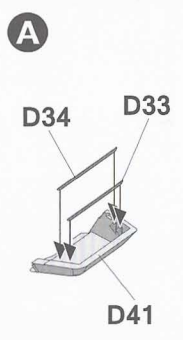
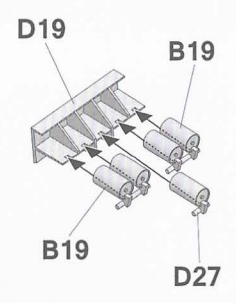
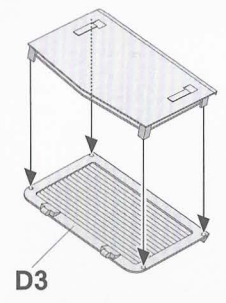
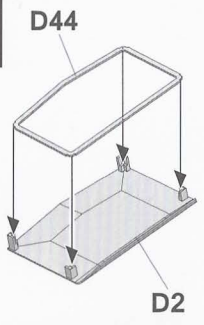
18

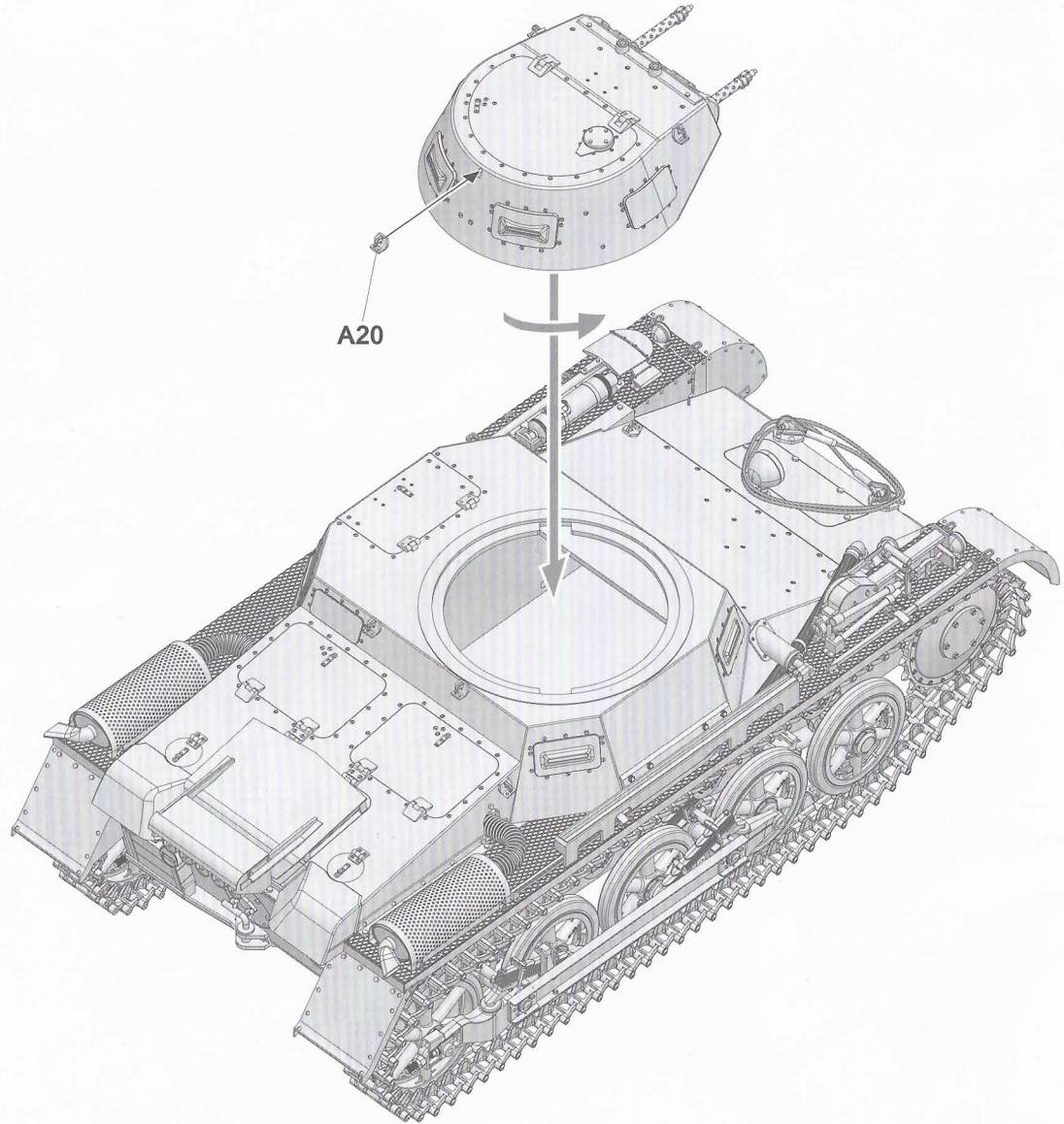
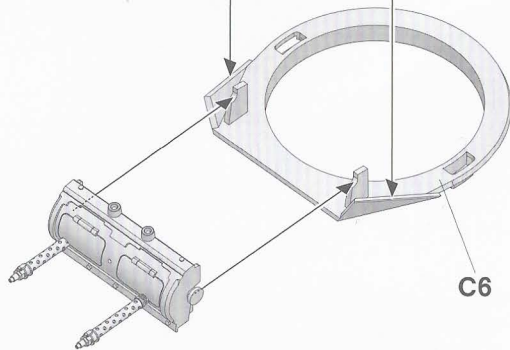
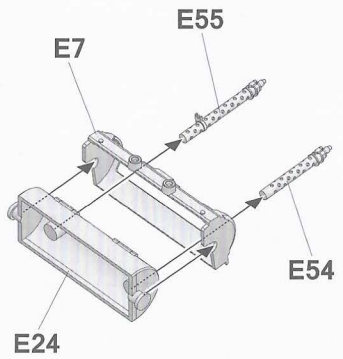
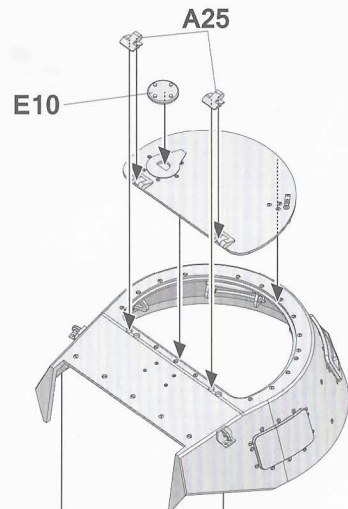
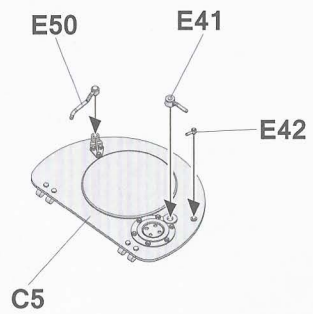
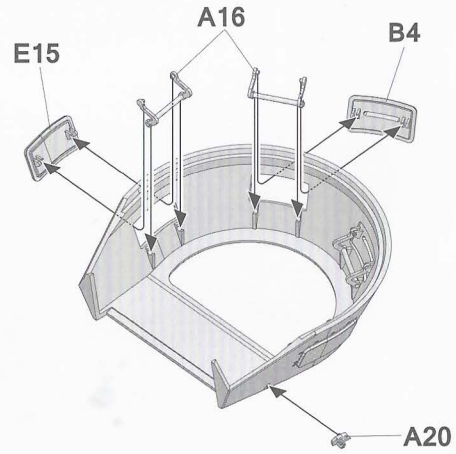
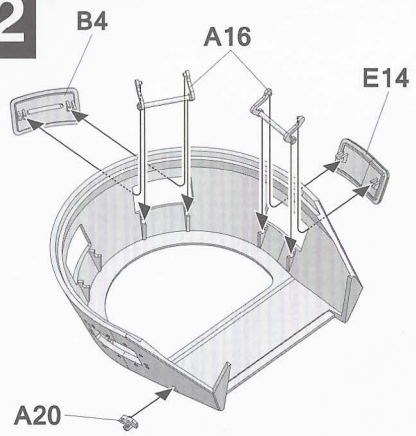


19







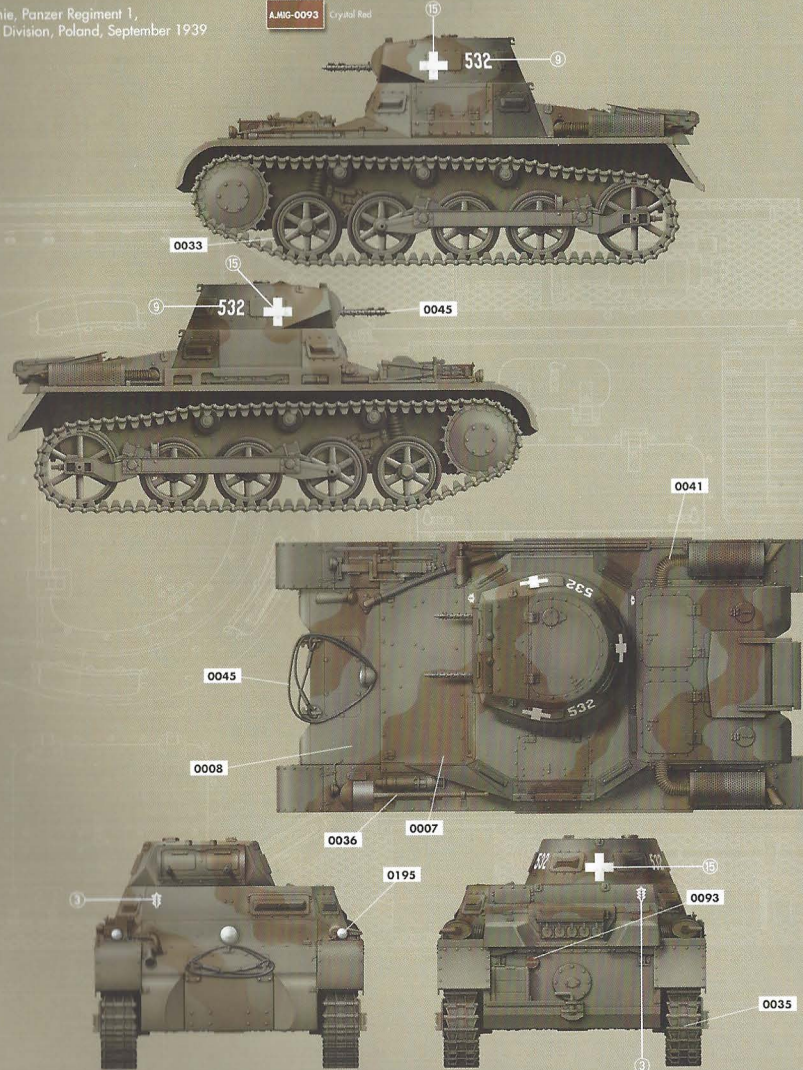


Painting and Marking Guide

A.MIG-0033 Rubber & Tires	A.MIG-0035 Dark Ticks	A.MIG-0045 Gun Metal	A.MIG-0041 Dark Rust
A.MIG-0195 Silver	A.MIG-0008 RAL 7021 Olivgrün opt.1	A.MIG-0007 RAL 7017 Dunkelbraun	A.MIG-0036 Old Wood
A.MIG-0093 Crystal Red			

TAKOM Ref: 1008

5. Kompanie, Panzer Regiment 1,
1st Panzer Division, Poland, September 1939



WEATHERING STEPS WITH AMMO PRODUCTS

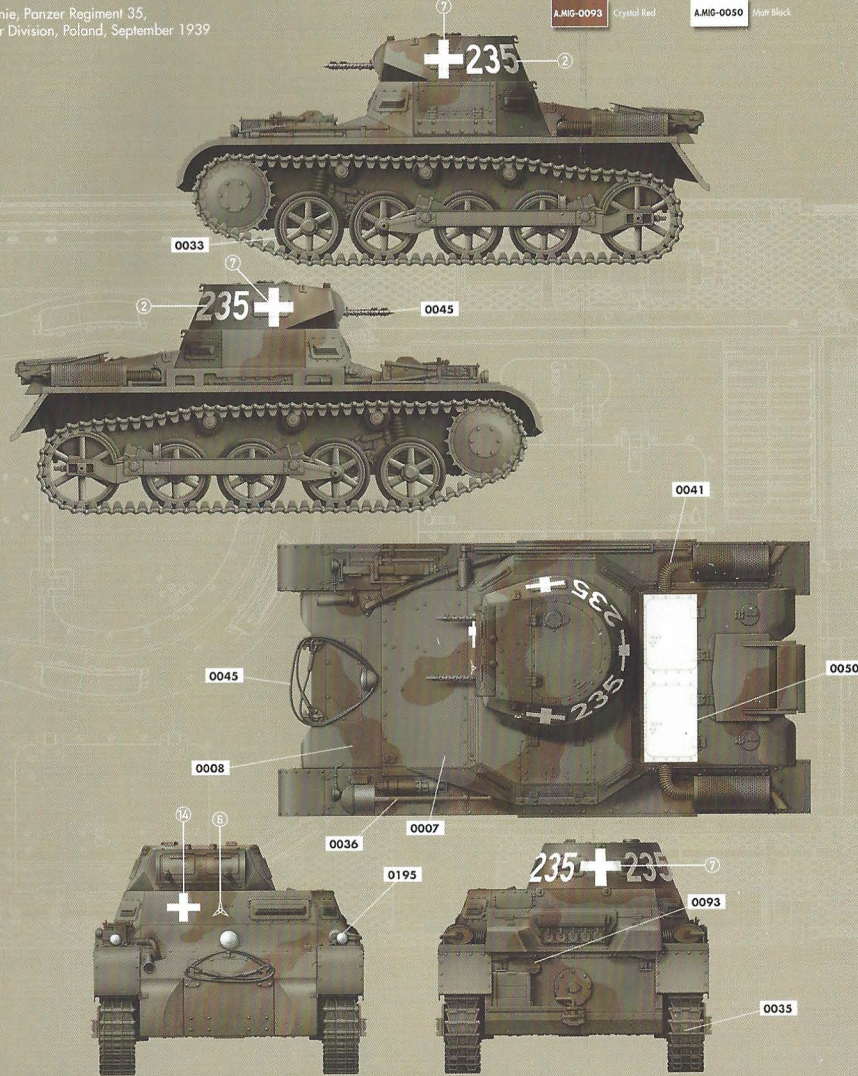
- | | | | |
|---|---|---|--|
| 1 GENERAL WASH
A.MIG-1006 Blue Wash for Panzer Grey | 3 STREAKING
A.MIG-1206 Dark Streaking Grime | 5 RUST
A.MIG-1254 Streakingbrusher Rust | 7 MUD & SPLASHES
A.MIG-1751 Dry Steppe |
| 2 FILTER
A.MIG-1502 Dark Grey for White | 4 TRACKS WASH
A.MIG-1002 Tracks Wash | 6 DUST
A.MIG-3004 Europe Earth | 8 GREASE & OIL
A.MIG-1408 Fresh Engine Oil |

Painting and Marking Guide

A.MIG-0033 Rubber & Tires	A.MIG-0035 Dark Ticks	A.MIG-0045 Gun Metal	A.MIG-0041 Dark Rust
A.MIG-0195 Silver	A.MIG-0008 RAL 7021 Olivgrün opt.1	A.MIG-0007 RAL 7017 Dunkelbraun	A.MIG-0036 Old Wood
A.MIG-0093 Crystal Red	A.MIG-0050 Matt Black		

TAKOM Ref: 1008

2. Kompanie, Panzer Regiment 35,
4th Panzer Division, Poland, September 1939



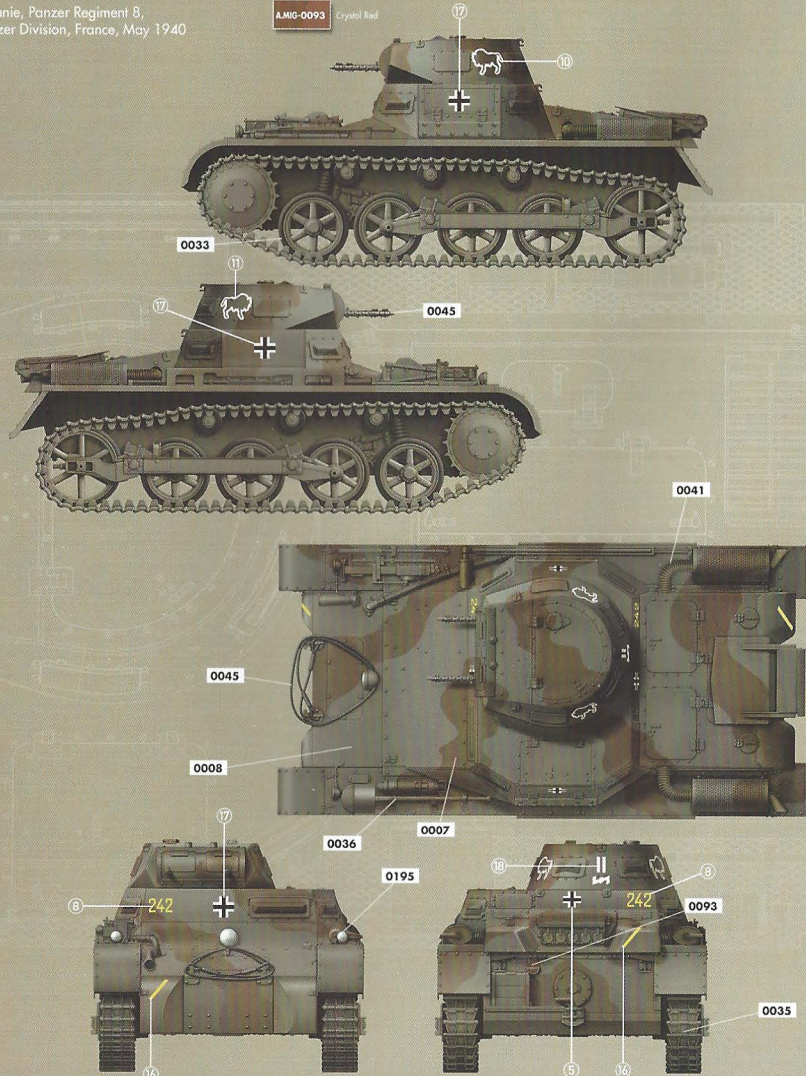
WEATHERING STEPS WITH AMMO PRODUCTS

- | | | | |
|---|---|---|--|
| 1 GENERAL WASH
A.MIG-1006 Blue Wash for Panzer Grey | 3 STREAKING
A.MIG-1206 Dark Streaking Grime | 5 RUST
A.MIG-1254 Streakingbrusher Rust | 7 MUD & SPLASHES
A.MIG-1751 Dry Steppe |
| 2 FILTER
A.MIG-1502 Dark Grey for White | 4 TRACKS WASH
A.MIG-1002 Tracks Wash | 6 DUST
A.MIG-3004 Europe Earth | 8 GREASE & OIL
A.MIG-1408 Fresh Engine Oil |

Painting and Marking Guide

TAKOM Ref: 1008

2. Kompanie, Panzer Regiment 8,
10th Panzer Division, France, May 1940



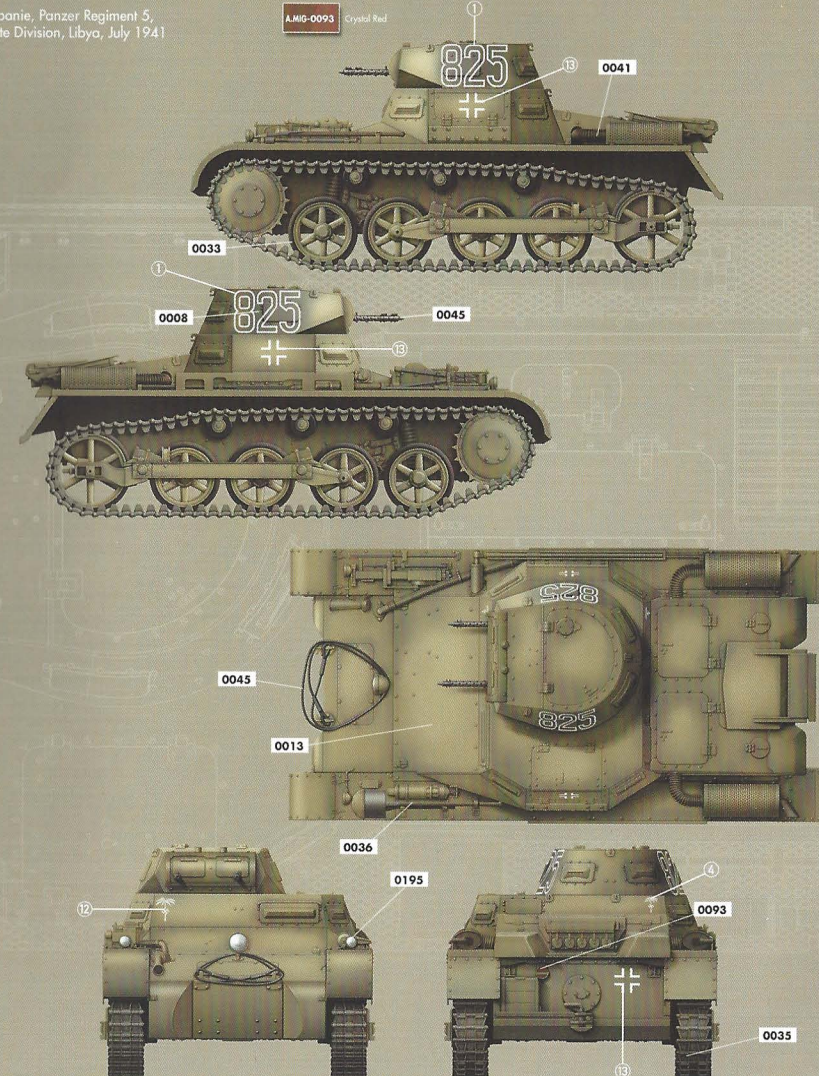
WEATHERING STEPS WITH AMMO PRODUCTS

- | | | | |
|---|---|---|--|
| 1 GENERAL WASH
A.MIG-1006 Blue Wash for Panzer Grey | 3 STREAKING
A.MIG-1206 Dark Streaking Grime | 5 RUST
A.MIG-1254 Streakingbrusher Rust | 7 MUD & SPLASHES
A.MIG-1254 Loose Ground |
| 2 FILTER
A.MIG-1502 Dark Grey for White | 4 TRACKS WASH
A.MIG-1002 Tracks Wash | 6 DUST
A.MIG-3004 Europe Earth | 8 GREASE & OIL
A.MIG-1408 Fresh Engine Oil |

Painting and Marking Guide

TAKOM Ref: 1008

8. Kompanie, Panzer Regiment 5,
5. Leichte Division, Libya, July 1941



WEATHERING STEPS WITH AMMO PRODUCTS

- | | | | |
|---|--|---|--|
| 1 GENERAL WASH
A.MIG-1001 Africa Korps Wash | 3 STREAKING
A.MIG-1201 Streaking Grime for DAK | 5 RUST
A.MIG-1254 Streakingbrusher Rust | 7 MUD & SPLASHES
A.MIG-1750 Dry Earth |
| 2 FILTER
A.MIG-1504 Brown for Desert Yellow | 4 TRACKS WASH
A.MIG-1002 Tracks Wash | 6 DUST
A.MIG-3003 North Africa Dust | 8 GREASE & OIL
A.MIG-1408 Fresh Engine Oil |

STRATENWERTH 16t STRABOKRAN VIDALWAGEN ROCKET V2

1944/45 Production



A DETAILED STATIC DISPLAY PLASTIC MODEL
A CAN BE MADE IN OPERATIONAL AND TRANSPORTATION MODE
A ALL THE WHEELS CAN ROTATE FREELY
A PE PARTS INCLUDED
A 5 TYPES OF MARKINGS
A FIGURE NOT INCLUDED

1/35
No. 2123

THIS IS NOT A TOY
READY TO ASSEMBLE PRECISION MODEL KIT
INTENDED FOR COLLECTORS OF AGE 14 YEARS AND ABOVE
MODEL MAY VARY FROM IMAGE ON BOX
CEMENT AND PAINT NOT INCLUDED



GERMAN TANK DESTROYER Sd.Kfz.173 JAGDPANTHER G1 Early Production w/Zimmerit



Designed by
Trey Studio
in China
Zimmerit Pattern
created by
JASON

DETAILED STATIC DISPLAY PLASTIC MODEL
TRACK ASSEMBLY IS AIDED WITH THE USE OF A JIG
LINK & LENGTH STYLE TRACKS INCLUDED
ALL MATCHES CAN BE BUILT IN OPEN OR CLOSED POSITION
PE INCLUDED
5 TYPES OF MARKINGS
FIGURE NOT INCLUDED

1/35
No. 2125

THIS IS NOT A TOY
READY TO ASSEMBLE PRECISION MODEL KIT
INTENDED FOR COLLECTORS OF AGE 14 YEARS AND ABOVE
MODEL MAY VARY FROM IMAGE ON BOX
CEMENT AND PAINT NOT INCLUDED

Full Interior

STRATENWERTH 16t STRABOKRAN 1944/45 Production

A DETAILED STATIC DISPLAY PLASTIC MODEL
A CAN BE MADE IN OPERATIONAL AND TRANSPORTATION MODE
A ALL THE WHEELS CAN ROTATE FREELY
A PE AND CLEAR PARTS INCLUDED
A 7 TYPES OF MARKINGS



JASON 2019

THIS IS NOT A TOY
READY TO ASSEMBLE PRECISION MODEL KIT
INTENDED FOR COLLECTORS OF AGE 14 YEARS AND ABOVE
MODEL MAY VARY FROM IMAGE ON BOX
CEMENT AND PAINT NOT INCLUDED

1/35
No. 2124

HANOMAG SS100



U.S. ARMY 1/4 TON UTILITY TRUCK WITH 1/4 TON UTILITY TRAILER & MP FIGURE

A DETAILED STATIC DISPLAY PLASTIC MODEL
A PE CLEAR PARTS INCLUDED
A 5 TYPES OF MARKINGS
A FIGURE INCLUDED



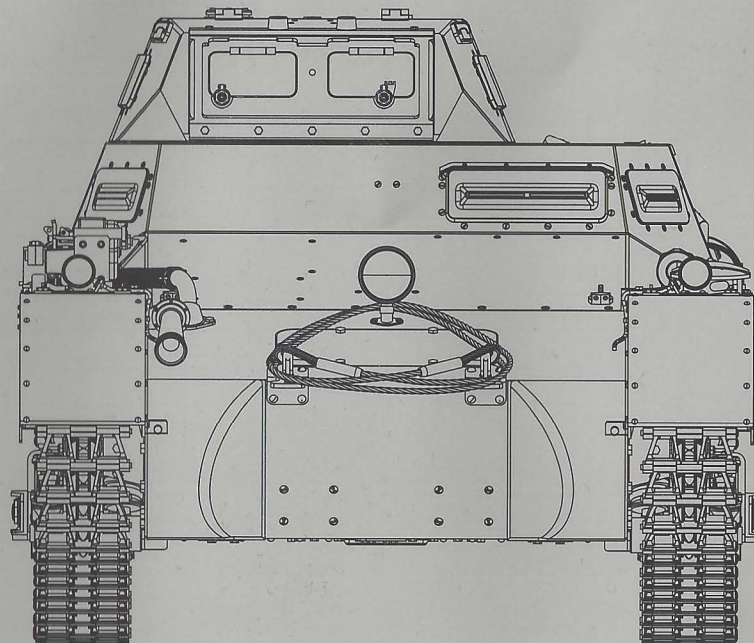
Figure sculpted by
JASON

THIS IS NOT A TOY
READY TO ASSEMBLE PRECISION MODEL KIT
MODEL MAY VARY FROM IMAGE ON BOX
CEMENT AND PAINT NOT INCLUDED
INTENDED FOR COLLECTORS OF AGE 14 YEARS AND ABOVE

1/35
No. 2126



2019/1008



You can find TAKOM on Facebook.com

